

Amana[®]

Amana[®]
Distinctions[™]

**Top Freezer
Refrigerator
Owner's Manual**

English	1
Español	17
Français	33

Keep these instructions for future reference. Be sure this manual stays with refrigerator

Contents


- Parts and Accessories 2
- Electrical Requirements 2
- Model Identification 2
- Service 3
- Asure™ Extended Service Plan 3
- Proper Disposal of Your Refrigerator 3
- Installation Instructions 3
 - Space Requirements 3
 - Leveling Refrigerator 3
 - Door Reversal 4
 - Connect Ice Maker Water Supply Line
(Some models) 5
- Installation Checklist 7
- Controls 8
- Fresh Food and Deepfreeze® Controls 8
 - Setting Controls 8
 - Exterior Moisture Control 8
- Fresh Food Features 8
 - Fresh Food Shelves 8
 - Chiller Fresh™ System (Some models) 9
 - Garden Fresh™ Crispers (Some models) 9
 - Covered Storage Bucket (Some models) 9
 - Dairy Center (Some models) 10
 - Door Buckets 10
 - Door Shelves 10
- Deepfreeze® Features 11
 - Automatic Ice Maker (Some models) 11
 - Wire Shelf 11
 - Reversible Utility Rack 11
 - Tall Package Retainer (Some models) 11
- Care and Cleaning 12
 - General 12
 - Odor Removal 12
 - Adhesives 12
 - Door Gaskets 12
 - Condenser Coils 12
 - Glass Shelves 12
 - Light Bulbs 13
- Energy Tips 13
- Vacation Tips 13
- Normal Operating Sounds 14
- Before Calling For Service 15
- Warranty 16
- Español 17
- Français 33

Parts and Accessories

Purchase replacement parts and additional accessories (e.g. refrigerator shelves) over the phone. To order accessories for your Amana product, call 1-800-843-0304 inside U.S.A. or 319-622-5511 outside U.S.A.

Electrical Requirements

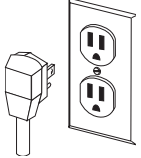
⚠ Recognize this symbol as a safety precaution.


WARNING

To avoid electrical shock which can cause severe personal injury or death, do not, under any circumstances cut or remove the round grounding prong from the plug. Refrigerator must be grounded at all times. Do not remove warning tag from power cord. Do not use a two-prong adapter. Do not use an extension cord.

This refrigerator is equipped with a three-prong (grounding) plug for protection against possible shock hazards. If a two-prong wall receptacle is encountered, contact a qualified electrician and have the two-prong wall receptacle replaced with a properly grounded three-prong wall receptacle in accordance with the National Electrical Code.

Refrigerator is designed to operate on a separate 103 to 126 volt, 15 amp., 60 cycle line.



Model Identification

Thank you for purchasing this Amana® refrigerator. Please read this Owner's Manual thoroughly. This manual provides proper maintenance information. Any questions, call the Consumer Affairs Department at **1-800-843-0304** inside U.S.A. and **1-319-622-5511** outside U.S.A.

Complete registration card and promptly return. If registration card is missing, call the Consumer Affairs Department.

When contacting Amana Appliances, provide product information. Product information is on the serial plate, located on (upper left corner, ceiling) of refrigerator section. Record the following information:

Model Number: _____

Manufacturing Number: _____

S/N or Serial Number: _____

Date of purchase: _____

Dealer's name and address: _____

Service

Keep a copy of sales receipt for future reference or in case warranty service is required. Any questions or to locate an authorized servicer, call 1-800-NAT-LSVC (1-800-628-5782) inside U.S.A. 319-622-5511 outside U.S.A. Warranty service must be performed by an authorized servicer. Amana, also recommends contacting an authorized servicer if service is required after warranty expires.

Asure™ Extended Service Plan

Amana offers long-term service protection for this new refrigerator. Asure™ Extended Service Plan is specially designed to supplement Amana's strong warranty. This plan covers parts, labor, and travel charges. Call 1-800-528-2682 for information.

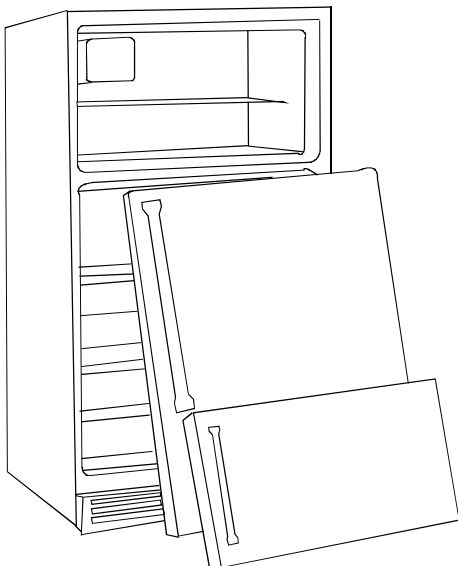
DANGER

Proper Disposal of Your Refrigerator

IMPORTANT: Child entrapment and suffocation are not problems of the past. Junked or abandoned refrigerators are still dangerous—even if they will sit for "just a few days." If you are getting rid of your old refrigerator, please follow the instructions below to help prevent accidents.

BEFORE YOU THROW AWAY YOUR OLD REFRIGERATOR OR FREEZER:

- Take off the doors.
- Leave the shelves in place so children may not easily climb inside.



Installation Instructions

Proper installation will ensure that this refrigerator operates most efficiently. Amana cannot be responsible for improper installation.

Space Requirements

WARNING

Keep flammable materials and vapors, such as gasoline, away from refrigerator. Failure to do so can result in death, explosion, fire, or burns.

- To ensure proper ventilation for your refrigerator, allow a 1" (2.5 cm) space at the top of your refrigerator.
- If your refrigerator has an ice maker, make sure you allow extra space at the back for the water line connection. The refrigerator can be flush with the back wall if you do not have an ice maker installed.
- If you are installing your refrigerator next to a fixed wall, leave 2 1/2" (6.5 cm) minimum on each side (depending on your model) to allow the door to swing open 90°.

NOTE: Do not install the refrigerator near an oven, radiator, or other heat source, nor in a location where the temperature will fall below 55°F (13° C).

Leveling Refrigerator

CAUTION

To avoid property damage, protect soft vinyl or other flooring with cardboard, rugs, or other protective material when moving refrigerator. **If model uses stabilizing leg, verify leg is raised before moving refrigerator.** Raise stabilizing leg by turning counterclockwise.

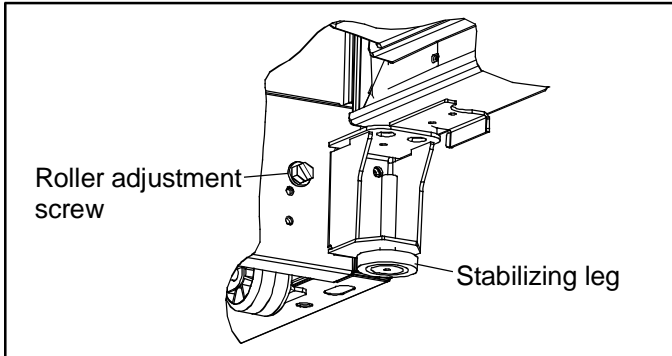
Some installations may require door reversal to achieve full door swing. If so proceed to *Door Reversal* section before leveling your refrigerator.

If your refrigerator requires ice maker water supply connection, proceed to *Connect Ice Maker Water Supply* section before leveling your refrigerator.

1. Plug in power cord.
2. Move refrigerator into final location.
3. Level refrigerator using a level placed on top of the refrigerator.
 - Remove toe grille. Remove bottom hinge cover if refrigerator has a stabilizing leg.
 - Turn 3/8" hex head roller adjustment screws to raise or lower refrigerator cabinet. Front of refrigerator must be 1/4" (6 mm), or 1/2 bubble on your level, higher than the back of refrigerator.
 - Make sure refrigerator cabinet is level from side to

side by adjusting left and right roller adjustment screw. Turn stabilizing leg (some models) clockwise until firmly against floor.

- Turn stabilizing leg clockwise until firmly against floor.



4. Replace toe grille and bottom hinge cover. See markings on inside or bottom of grille to insure proper placement.
 - Snap top portion into place first. Press down on lower part of grille until bottom portion snaps into place.
5. Review *Installation Checklist* in Owner's Manual with consumer.

Door Reversal



WARNING

To avoid electrical shock which can cause severe personal injury or death, disconnect power to refrigerator before removing doors. After replacing doors, connect power.

Tools Required

Putty knife (blade covered with masking tape)

$\frac{9}{32}$ " hex nut driver (some models)

$\frac{5}{32}$ " hex nut driver (some models)

$\frac{3}{16}$ " hex nut driver

Phillips screwdriver

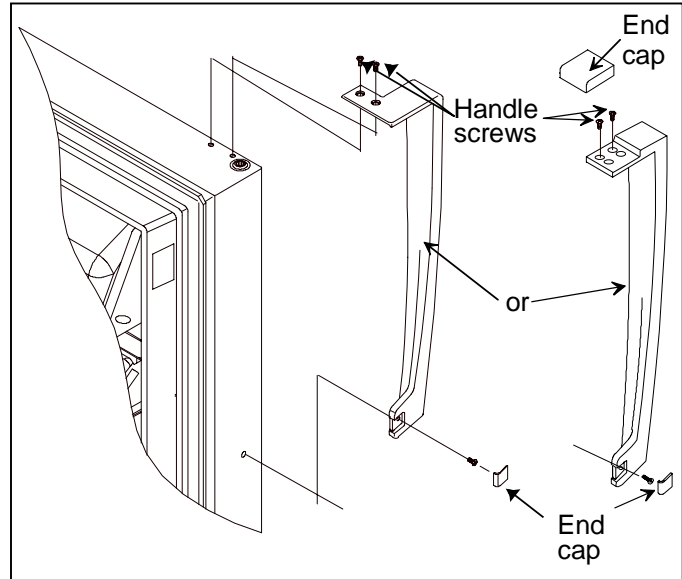
Blade screwdriver

Some installations require door reversal to achieve full door swing. To reverse door swing perform the following steps:

1. Remove and reverse refrigerator and freezer handles performing the following steps:

IMPORTANT: For plug removal requiring use of flat blade screwdriver or putty knife, **blade of tool must be covered with masking tape to avoid damage to refrigerator finish.** For plugs using a screwdriver- or nut driver- style head, use appropriate tool to avoid damage to plugs.

- Remove end caps from top (some models) and bottom of refrigerator handle with flat screwdriver blade wrapped in masking tape. Remove two screws from top of handle and screw from base of handle.

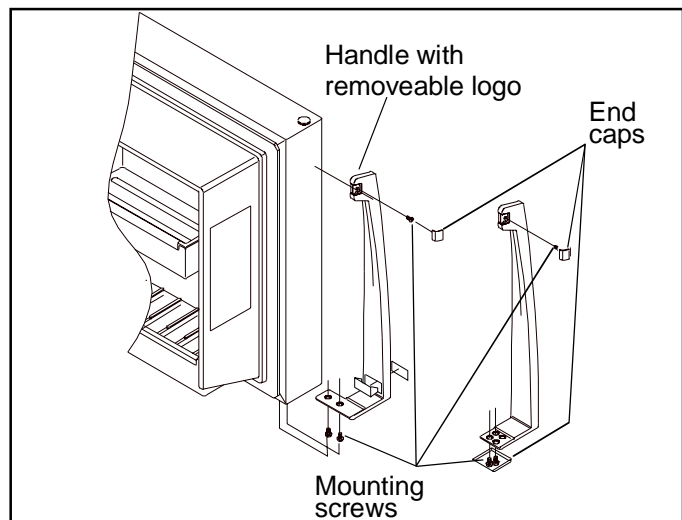


• Models with automatically reversing log.

Remove end cap from top of freezer handle using a screwdriver with the blade covered with masking tape (see illustration below). Remove one top and two bottom mounting screws.

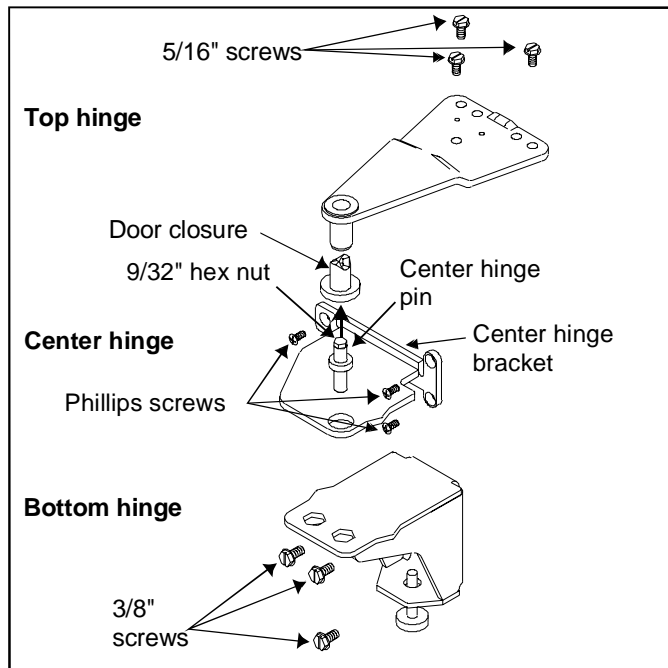
• Handles with removable logo on handle.

Remove end caps from handles using a screwdriver with the blade covered in masking tape. Remove handle screws to remove freezer handle. Remove freezer handle cover by lifting end. Bend tabs behind nameplate up and remove nameplate. Rotate nameplate and cover.

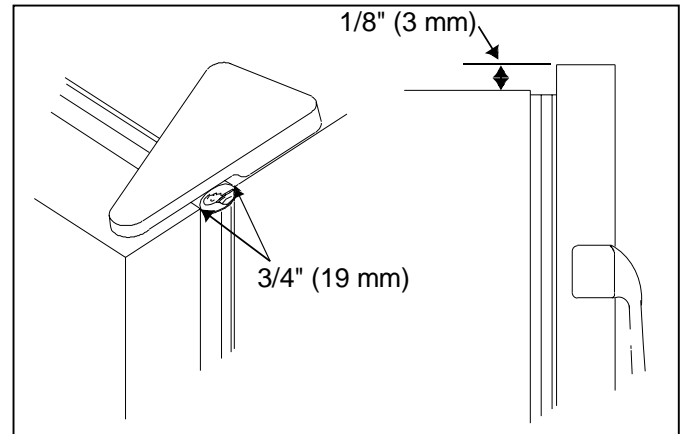


2. Remove top hinge cover. Top hinge cover snaps off. Remove top hinge and shim using hex nut driver.
3. Lift freezer door off center hinge.
4. Lift door closure off center hinge pin. Remove center hinge pin with $\frac{9}{32}$ " hex nut driver.
5. Remove refrigerator door by lifting off bottom hinge.
6. Remove center hinge bracket and shim using Phillips screwdriver.

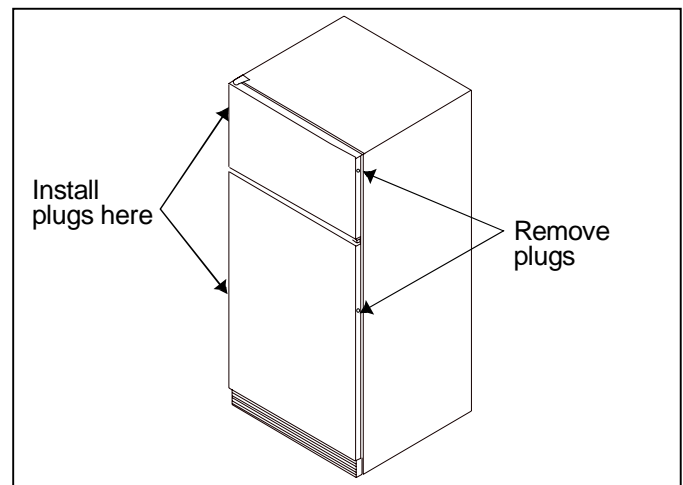
7. Remove toe grille and bottom hinge cover. Both snap off.
8. Remove bottom hinge and shim using hex nut driver.



9. Reverse doors by performing the following steps:
 - Replace bottom hinge and shim on opposite side of cabinet.
 - Remove screws from center mullion. Place screws in holes left when center hinge bracket was removed. Rotate center hinge bracket 180° and install center hinge bracket on opposite side of cabinet with hinge screws. Reuse plastic hinge pin washers.
 - Place refrigerator door on bottom hinge. Install center hinge pin in center hinge bracket. Place door closure on center hinge pin.
 - Remove plugs from top of refrigerator cabinet. Replace plugs in holes left when top hinge was removed. Remove hinge hole cover from freezer door. Replace on opposite side of freezer door.
 - Place freezer door on center hinge and door closure. Install top hinge and shims on opposite side of cabinet using hex nut driver. Snap hinge cover in place on hinge.
 - Use a penny at top to space door 3/4" (19 mm) from cabinet. Make sure handle side of door is 1/8" (3 mm) higher than hinge side of door before tightening top hinge screws.



10. Remove plugs from side of refrigerator and freezer doors.



11. Mount freezer handle on opposite side of refrigerator door using mounting screws previously removed. Snap end cap(s) into place.
12. Mount refrigerator handle on opposite side of freezer door using mounting screws previously removed. Snap end cap(s) into place.
13. Replace plugs in empty side mounting holes on refrigerator doors.
14. Proceed to *Leveling Refrigerator* procedures for final placement of refrigerator.

Connect Ice Maker Water Supply Line (Some models)



CAUTION

To avoid property damage, protect soft vinyl or other flooring with cardboard, rugs, or other protective materials when moving refrigerator. Make sure stabilizing leg is raised before moving refrigerator. Raise stabilizing leg by turning counterclockwise.



CAUTION

Observe the following to avoid property damage:

- Confirm water pressure to water valve is between 20 and 120 pounds per square inch.
- Copper supply tubing must be routed where the temperature is 55°F (13°C) or higher to prevent freeze-ups.
- Start adaptor fitting and nuts by hand to avoid cross threading. Tighten adaptor fitting and nuts with pliers and wrenches. Do not overtighten.
- Check for water leaks and correct if necessary before returning refrigerator to normal location, and 24 hours after connecting.

Important

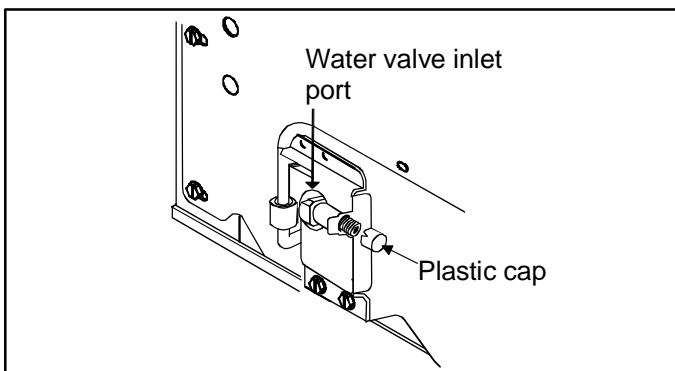
- Before connecting water supply, contact a plumber to connect copper tubing to household plumbing in compliance with local codes and ordinances.
- DO NOT use self-piercing type or $\frac{3}{16}$ " saddle valves! Both reduce water flow, develop sediment build-up more rapidly, and may cause leaks if repair is attempted. The correct type of shut-off valve requires a $\frac{1}{4}$ " hole to be drilled on top or side (not bottom of horizontal pipe) of water supply pipe prior to valve attachment.

Materials Required

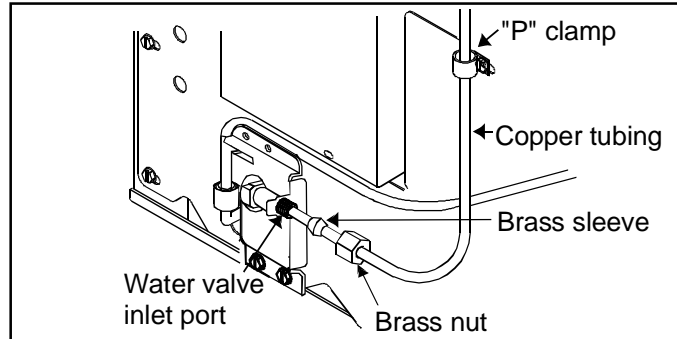
$\frac{1}{4}$ " O.D. (6 mm) flexible copper tubing. Length of copper tubing must reach from water supply connection to water valve inlet port on back of refrigerator plus an additional 8 ft. (2 m) of tubing for a service loop. A service loop will allow refrigerator to be pulled away from the wall without disconnecting tubing.

Procedure

1. Remove plastic cap from water valve inlet port.



2. Place brass nut and brass sleeve on copper tubing (Brass nut and sleeve are found in literature packet). Insert copper tubing into water valve inlet port. Connect brass nut on copper tubing to water valve inlet port. Start connection by hand then use a $\frac{1}{2}$ " (13 mm) open end wrench. Make sure copper tubing is secure by pulling on copper tubing.



3. Create a service loop using extreme care to avoid kinks. Secure copper tubing to refrigerator cabinet with a "P" clamp.
4. Turn on water supply to refrigerator and check for leaks. Correct any leaks at connection. Be careful not to overtighten connection.
5. Proceed to *Leveling Refrigerator* for final refrigerator placement.
6. Review *Installation Checklist* in Owner's Manual with consumer.

Installation Checklist

This checklist is for personal records only.

Consumer Installer

- | | | |
|--------------------------|--------------------------|--|
| <input type="checkbox"/> | <input type="checkbox"/> | Doors |
| <input type="checkbox"/> | <input type="checkbox"/> | Handles are solidly attached to doors. |
| <input type="checkbox"/> | <input type="checkbox"/> | Handle side of door is 1/8" (3 mm) higher than hinge side. (Door lowers when loaded with food.) |
| <input type="checkbox"/> | <input type="checkbox"/> | Doors seal completely to refrigerator cabinet. |
| <input type="checkbox"/> | <input type="checkbox"/> | Leveling |
| <input type="checkbox"/> | <input type="checkbox"/> | Refrigerator is tilted 1/4" (6 mm) from front to rear. |
| <input type="checkbox"/> | <input type="checkbox"/> | Toe grille is properly attached to refrigerator. |
| <input type="checkbox"/> | <input type="checkbox"/> | Ice Maker |
| <input type="checkbox"/> | <input type="checkbox"/> | Water supply to refrigerator is turned on. |
| <input type="checkbox"/> | <input type="checkbox"/> | Water leaks are not present at connection between household water supply and refrigerator. (After 24 hours, consumer should check connection for water leaks.) |
| <input type="checkbox"/> | <input type="checkbox"/> | Ice maker arm is in <i>on</i> position for ice production. (It may take up to 24 hours for first harvest of ice.) |
| <input type="checkbox"/> | <input type="checkbox"/> | Product Literature |
| | | Owner's manual is reviewed including the following information. |
| | | <ul style="list-style-type: none">• product registration card• Fresh Food and Deepfreeze® controls• Chiller Fresh™ system• Garden Fresh™ crispers• normal operating sounds |

Notes _____

Consumer's Signature

Installer's Signature

Installer's Company Name/Phone Number

Date

Controls

This refrigerator operates at household temperatures of 55° to 110°F (13°—43°C).

Fresh Food and Deepfreeze® Controls

Fresh Food and Deepfreeze® controls are located on center divider between Fresh Food and Deepfreeze® sections.

When Deepfreeze® control is set to 'off' position (■), neither Fresh Food nor Deepfreeze® sections will cool. Initially, set both controls to 4. Wait 24 hours for Fresh Food and Deepfreeze® sections to reach desired temperatures. After 24 hours, adjust controls, one number at a time, as desired. The warmest setting is ✨, and ✨✨ is the coldest.

Setting Controls

Set controls precisely with a household thermometer that includes temperatures between -5°—50°F (-21°—10°C).

Put thermometer snugly between frozen packages in Deepfreeze® section. Wait 5-8 hours. If Deepfreeze® temperature is not 0°—2°F (-17°—16°C), adjust control, one number at a time. Check again after 5–8 hours.

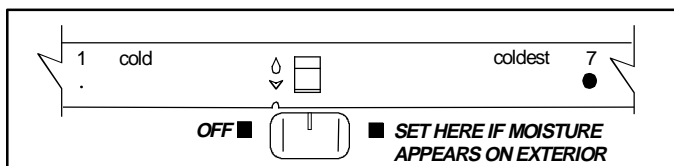
Put thermometer in a glass of water in middle of Fresh Food section. Wait 5–8 hours. If Fresh Food temperature is not 38°—40°F (3°—4°C), adjust control, one number at a time. Check again after 5–8 hours.

Exterior Moisture Control

Exterior Moisture Control (☾) is located on center divider between Fresh Food and Deepfreeze® sections.

In humid conditions, refrigerators form condensation around doors. Special heaters in refrigerator cabinet minimize condensation. High quality steel is used in this refrigerator. However, constant exposure to moisture may cause refrigerator cabinet to rust.

Turn feature on if refrigerator is located in a humid area or whenever moisture is evident around doors. Set control to OFF if refrigerator is in a less humid area. Setting can be selected as environment changes.



Fresh Food Features

CAUTION

To avoid property damage, confirm shelf is secure before placing items on shelf.

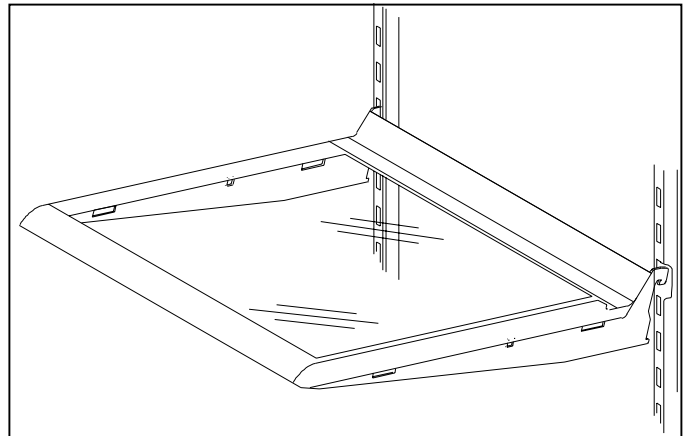
Fresh Food Shelves

Models feature either glass or wire shelves. Shelves adjust to meet individual storage needs. Some models feature Spillsaver™ shelves. Spillsaver™ shelves hold simple spills for easier cleaning.

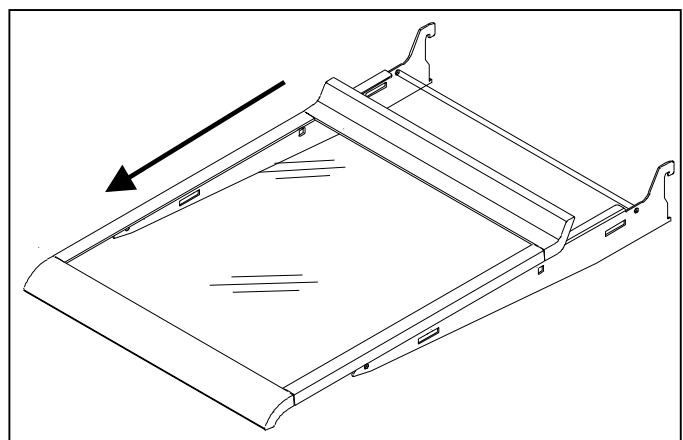
CAUTION

To avoid personal injury or property damage, handle tempered glass shelves carefully. Shelves may break suddenly if nicked, scratched, or exposed to sudden temperature change.

- Remove shelves by lifting front, releasing hooks from metal track then pulling out.
- Replace shelves by inserting hooks into metal track and lowering front.



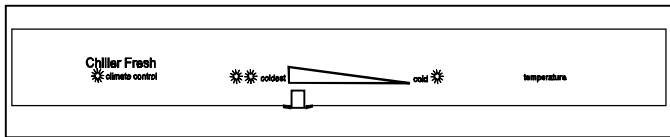
EasyGlide™ shelves pull forward for easy access of items in back. (some models)



Chiller Fresh™ System (Some models)

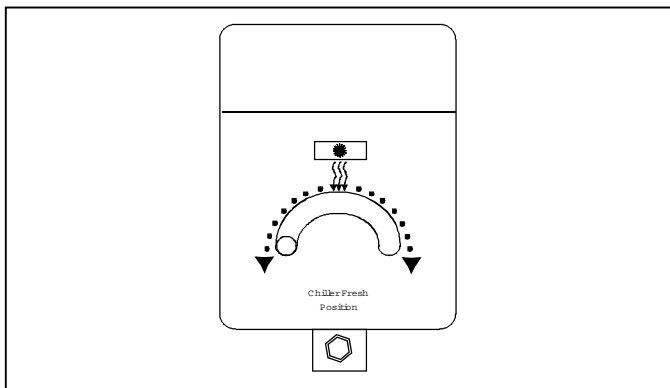
Chiller Fresh™ system features a drawer inside a sleeve. Air circulates between drawer and sleeve. This systems keeps food fresh longer and up to 5°F (3°C) colder than Fresh Food temperature.

Chiller Fresh™ control is located below front shelf trim. Control adjusts amount of air circulating around drawer. Control adjusts amount of air circulating around drawer. Slide control to *cold* for normal Fresh Food temperature and to *colest* for colder temperature. Ice crystals may form on drawer or food on *colest* setting. Cold air can decrease Fresh Food temperature. Fresh Food control may need to be adjusted.



- Remove drawer by lifting and pulling out. Remove shelf by lifting front, releasing hooks from metal track then pulling out.
- Replace shelf by inserting hooks into metal track and lowering front. Use slots 1 through 3 only. Replace drawer by sliding in.

When moving Chiller Fresh™ system left or right, move control, located on center back wall of Fresh Food section, to same side as system.



Garden Fresh™ Crispers (Some models)

Garden Fresh™ crispers keep produce fresh longer. Wrap produce tightly. Do not wash produce before placing in crispers. Excess moisture could cause produce to spoil prematurely. Do not line crispers with paper towels. Paper towels will retain moisture.

Garden Fresh™ control is located below front shelf trim. Control adjusts humidity in crispers. Slide control to *high* for produce with leaves such as lettuce, spinach or cabbage. Slide control to *low* for produce with skins such as cauliflower, corn or tomatoes.

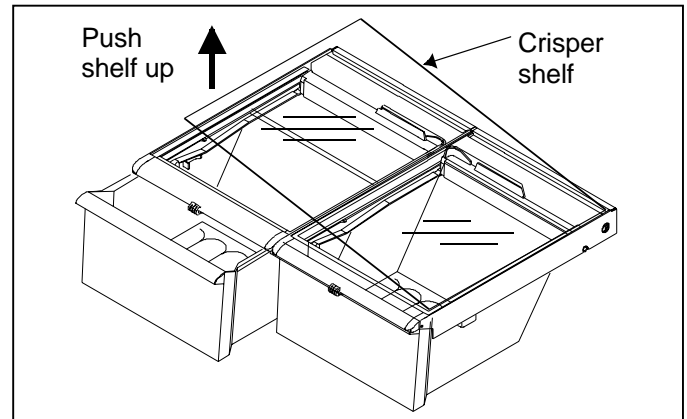
Remove shelf and crispers by completing the following steps.

1. Open left* crisper. *For doors hinged on left, open right crisper.

CAUTION

To avoid personal injury or property damage, handle tempered glass shelves carefully. Shelves may break suddenly if nicked, scratched, or exposed to sudden temperature change.

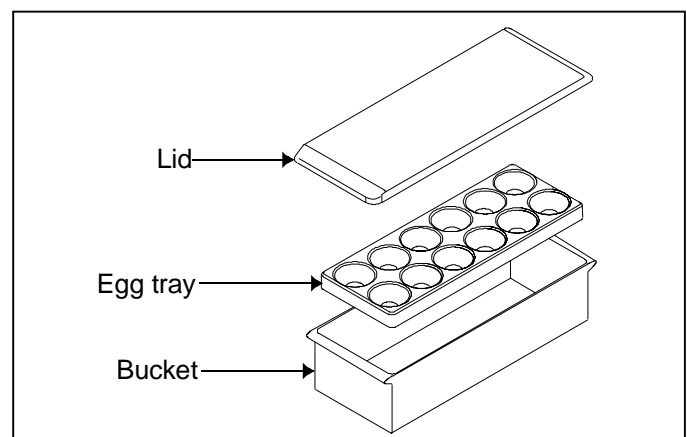
2. Remove shelf by gently pushing up from underneath. Tilt one end up then pull out.



3. Remove left* crisper by lifting front while supporting underneath then pulling out. *For doors hinged on left, remove right crisper.
4. Remove support post at recess in bottom center of Fresh Food section.
5. Remove other crisper by sliding to opposite wall. Lift front while supporting underneath then pull out.
6. Replace crispers and shelf by reversing steps 1–5.

Covered Storage Bucket (Some models)

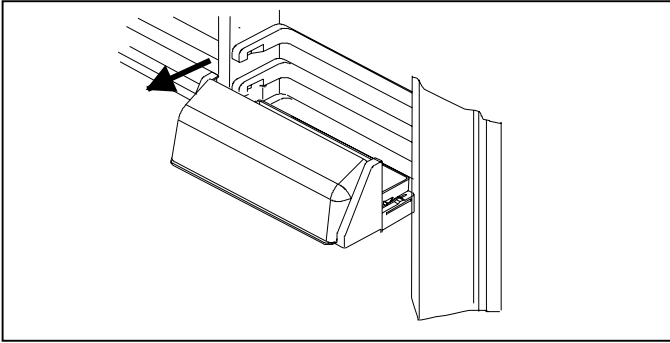
Storage bucket has a lid and removable egg tray. When tray is removed, bucket will accept items such as a standard egg carton, ice, etc.



Dairy Center (Some models)

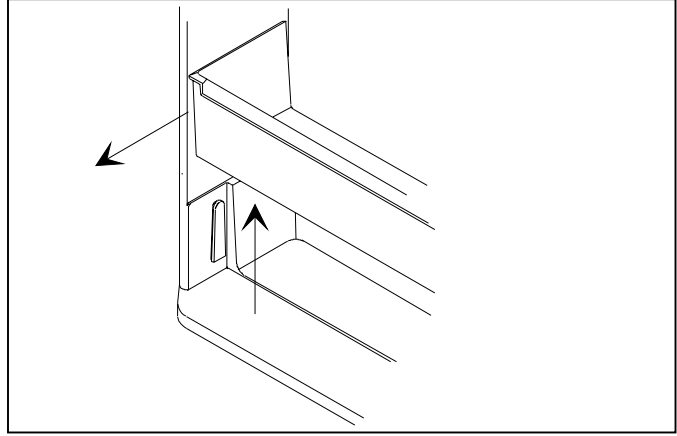
Dairy center provides convenient storage for items such as butter, cheese, etc.

- Remove dairy center by lifting door, pushing tabs toward center and pulling out.
- Replace dairy center by sliding in until tabs lock into place and lowering door.



Door Shelves

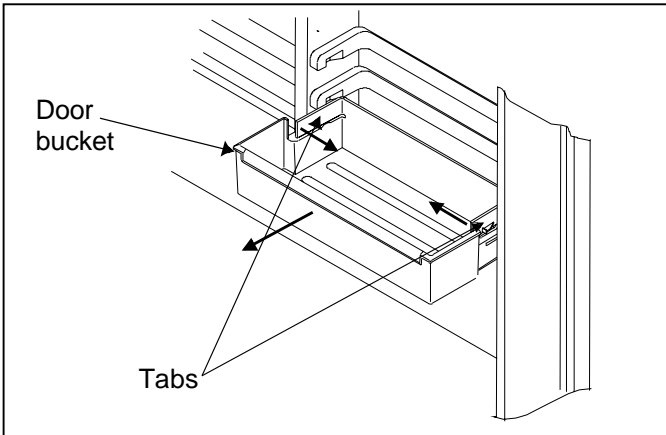
- Remove door shelves by lifting ends and pulling out.
- Replace door shelves by placing shelf on glides and sliding down.



Door Buckets

Door buckets adjust to meet individual storage needs.

- Remove door buckets by pushing tabs toward center and pulling out.
- Replace door buckets by sliding in until tabs lock into place.



Deepfreeze® Features

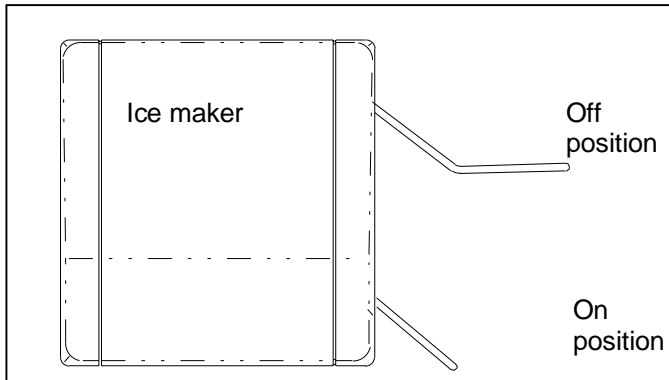


CAUTION

To avoid property damage, confirm shelf is secure before replacing items on shelf.

Automatic Ice Maker (Some models)

- Confirm ice bucket is in place and ice maker arm is down.



- After Deepfreeze® section reaches normal temperature, ice maker fills with water and begins operating. Allow 24–48 hours after installation before first harvest of ice. Ice maker produces 7 to 9 harvests of ice in a 24-hour period under ideal conditions.
- After ice is formed, ice maker drops ice cubes into ice storage bucket. During ice production, ice maker arm raises and lowers. When ice storage bucket is full, ice maker arm turns ice maker off. Discard first 3 harvests of ice after initially connecting refrigerator to household water supply and after extended periods of nonuse.
- Stop ice production by raising ice maker arm. A definite click is heard when proper position is reached. Ice maker arm will remain in that position until pushed down.



CAUTION

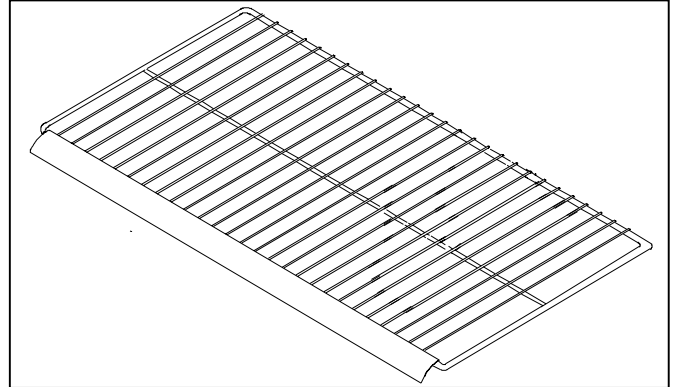
To avoid damage to the automatic ice maker:

- Do not force ice maker arm down or up, past stop
- Do not place or store anything in ice storage bucket.

Wire Shelf

- Remove wire shelf by tilting one end up and pulling out.

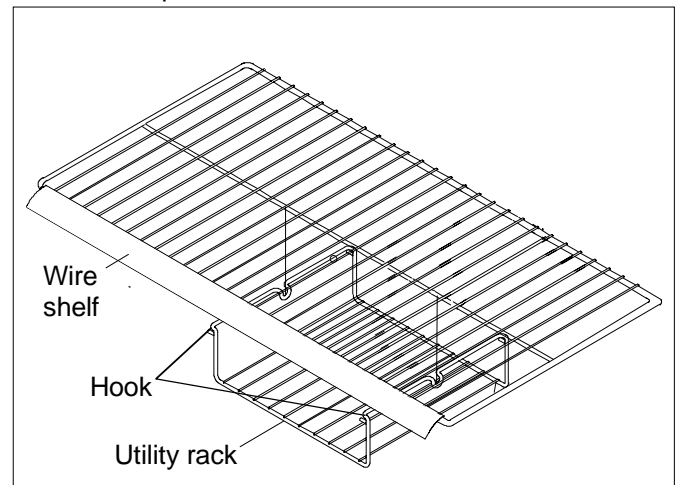
- Replace wire shelf by tilting one end up and placing end on ledge. Tilt other end down and place on ledge.



Reversible Utility Rack

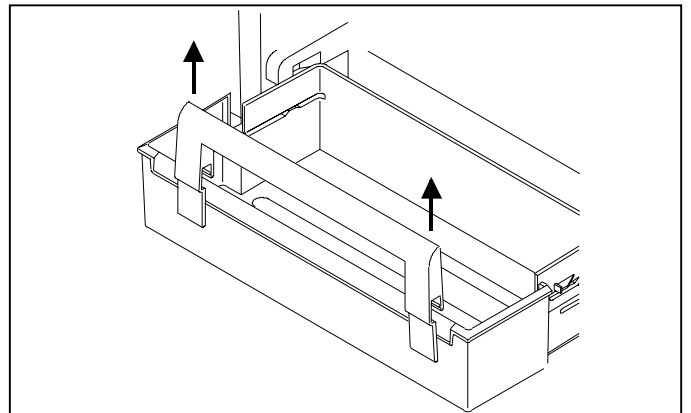
Freezer utility rack provides extra storage for ice cube trays or other items. Remove rack by completing the following steps:

1. Locate hook of utility rack opposite of ball point joint. Holding wire rack firmly with both hands, press forward on hook with thumbs until utility rack detaches and swings loose.
2. Repeat pressure on the ball point hook until utility rack snaps free.



Tall Package Retainer (Some models)

Tall package retainer keeps tall items secure. Retainer fits in any door bucket or door shelf.



Care and Cleaning



WARNING

To avoid electrical shock which can cause severe personal injury or death, disconnect power to refrigerator before cleaning. After cleaning, connect power.



CAUTION

To avoid personal injury or property damage, read and follow all cleaning product manufacturer's directions.

General

1. Wash surfaces with 4 tablespoons baking soda dissolved in 1 quart warm water and a soft, clean cloth.
2. Rinse surfaces with warm water. Dry surfaces with a soft, clean cloth.
 - Do not use the following items:
 - abrasive or harsh cleaners, ammonia, chlorine bleach, etc.
 - concentrated detergents or solvents
 - metal scouring padsThese items can scratch, crack and discolor surfaces.
 - Do not place buckets, shelves, etc. in dishwasher.

Odor Removal

1. Remove all food and disconnect power to refrigerator.
2. Clean all interior surfaces including ceiling, floor, and walls according to "General" instructions. Pay special attention to corners, crevices, and grooves. Include all drawers, shelves, and gaskets.
3. Connect power to refrigerator and return food to refrigerator. Wash and dry all bottles, containers and jars. Wrap foods in tightly sealed containers to prevent further odor. After 24 hours, check if odor was eliminated.

Complete the following steps if odor was not eliminated.

4. Complete steps 1–2.
5. Place garden fresh crispers on top shelf of Fresh Food section. Pack Fresh Food and Deepfreeze® sections including doors with crumpled sheets of black and white newspaper.
6. Place charcoal briquettes randomly throughout newspaper.
7. Close doors and let stand 24–48 hours.
8. Remove charcoal briquettes and newspapers.
9. Complete steps 2–3.

Contact Consumer Affairs Department if odor was still not eliminated. Call **1-800-843-0304** inside U.S.A. and **1-319-622-5511** outside U.S.A.

Adhesives

1. Remove glue residue by rubbing toothpaste into adhesive with fingers until adhesive loosens.
2. Rinse surface with warm water. Dry surface with a soft, clean cloth.

Door Gaskets

1. Clean door gaskets every 3 months according to "General" instructions. Gaskets must be kept clean dry and pliable to assure a proper seal.
2. Apply a light film of petroleum jelly on hinge side of gasket to keep gaskets pliable.

Condenser Coils

Clean condenser coil every 3 months to ensure maximum performance of refrigerator. Accumulated dust and lint may cause the following:

- reduced cooling performance
 - increased energy usage
 - premature part failure
1. Remove toe grille by holding ends and pulling forward.
 2. Clean front surface of condenser coil with a vacuum cleaner hose nozzle.
 3. Replace toe grille by inserting clips in holes and snapping in.



CAUTION

To avoid property damage, protect soft vinyl or other flooring with cardboard, rugs, or other protective material. **If model uses stabilizing leg, verify leg is raised before moving refrigerator.** Raise stabilizing leg by turning counterclockwise.

4. Pull refrigerator away from wall. Run a vacuum brush across condenser fan outlet grille on back of refrigerator.

Glass Shelves



CAUTION

To avoid personal injury or property damage, handle tempered glass shelves carefully. Shelves may break suddenly if nicked, scratched, or exposed to sudden temperature change.

Remove shelf by lifting front, releasing hooks from metal track then pulling out. Place shelf on a towel. Allow shelf to adjust to room temperature before cleaning.

Clean crevices by completing the following steps:

1. Dilute mild detergent and brush solution into crevices using a plastic bristle brush. Let set for 5 minutes.
2. Spray warm water into crevices using faucet spray

Vacation Tips

attachment.

3. Dry shelf thoroughly and replace shelf by inserting hooks into metal track and lowering front.

Light Bulbs



CAUTION

To avoid electrical shock which can cause severe personal injury or death, disconnect power to refrigerator before replacing light bulb. After replacing light bulb, connect power.

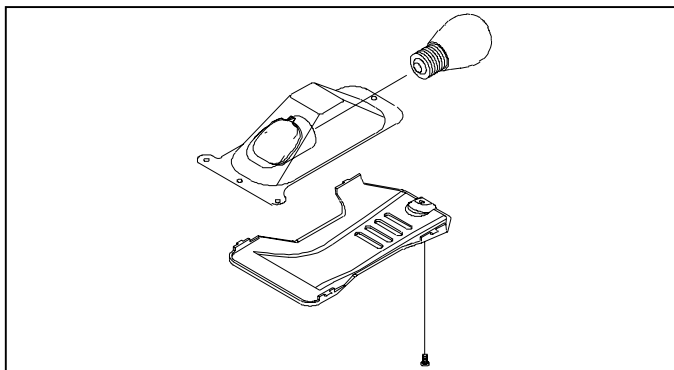


CAUTION

To avoid personal injury or property damage, observe the following:

- Allow light bulb to cool.
- Wear gloves when replacing light bulb.

1. Remove light bulb cover by removing screw at back center. Pull cover down. Replace bulb(s) with 40-watt appliance bulb(s).
2. Replace light bulb cover by placing cover over light bulb. Insert and tighten screw.



Energy Tips

This refrigerator is designed to be one of the most energy efficient refrigerators available. Reduce energy use by observing the following.

- Operate in normal household temperatures of 55°–110°F (13°– 43°C) away from heat sources and direct sunlight.
- Set Fresh Food, Deepfreeze®, and Chiller Fresh™ system controls no colder than necessary.
- Keep Deepfreeze® section full.
- Keep door gaskets clean and pliable. Replace gaskets if worn.
- Keep condenser coils clean.
- Turn exterior moisture control *ON* when necessary.

Complete the following steps for short vacations.

1. Remove perishable foods. **Warranty does not cover food loss.** Check warranty certificate for specific coverage.
2. If an ice maker is installed, move ice maker arm to off position.

Complete the following steps for long vacations.

1. Empty refrigerator and freezer sections.
2. Unplug refrigerator.
3. Clean refrigerator and door gaskets according to “General” instructions in “Care and Cleaning” section.
4. Prop doors open, so air can circulate inside.
5. If an ice maker is installed, turn water supply to refrigerator off and move ice maker arm to *off* position.

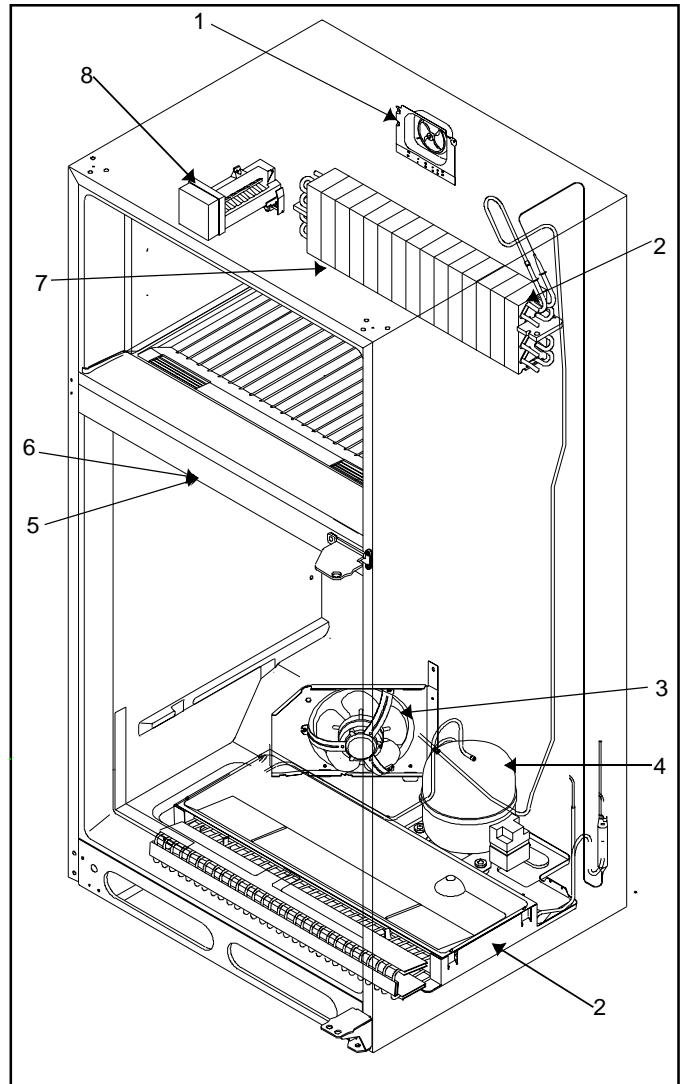
Normal Operating Sounds

This new refrigerator may be replacing a differently designed, less efficient or smaller refrigerator. Today's refrigerators have new features and are more energy efficient. As a result, certain sounds may be unfamiliar. These sounds are normal and will soon become familiar. These sounds also indicate refrigerator is operating and performing as designed.

1. **Deepfreeze® fan** air rushes and whirs.
2. **Sealed system** (evaporator and heat exchanger) refrigerant flow gurgles, pops or sounds like boiling water.
3. **Condenser fan** air rushes and whirs.
4. **Compressor** has a high pitched hum or pulsating sound.
5. **Defrost timer** sounds like an electric clock and snaps in and out of defrost cycle.
6. **Deepfreeze® control** clicks when starting or stopping compressor.
7. **Defrost heater** sizzles, hisses or pops.
8. **Ice cubes** from ice maker (some models) drop into ice bucket.

Water valve (some models) buzzes when ice maker fills with water. This occurs whether or not refrigerator is connected to water supply. If refrigerator is not connected to water supply, stop sound by raising ice maker arm to *off* position. (Not shown)

Foam insulation is very energy efficient and has excellent insulating capabilities. However, foam insulation is not as sound absorbent as previously used fiberglass insulation. (Not shown)



Before Calling For Service

Refrigerator does not operate.

- Confirm Deepfreeze® control is on.
- Confirm refrigerator is plugged in.
- Check fuse or circuit breaker. Plug in another item at that wall outlet.
- Wait 40 minutes to see if refrigerator restarts. If Deepfreeze® control is on, lights work but 2 fans and compressor are not operating, refrigerator may be in defrost cycle.

Refrigerator still won't operate.

- Unplug refrigerator. Transfer food to another unit or place dry ice in Deepfreeze® section to preserve food. **Warranty does not cover food loss.** Check warranty certificate for specific coverage.
- Call **1-800-628-5782** inside U.S.A. and **1-319-622-5511** outside U.S.A. to locate an **authorized** Amana technician.

Food temperature appears too warm.

- See above sections.
- Allow time for recently added warm food to reach Fresh Food or Deepfreeze® temperature.
- Check gaskets for proper seal.
- Clean condenser coils.
- Adjust Fresh Food and/or Deepfreeze® control.
- Confirm rear air grille is not blocked. Rear air grille is located behind left garden fresh crisper.

Chiller Fresh™ system temperature is too warm.

- Slide Chiller Fresh™ control to colder setting.
- Adjust Deepfreeze® control to colder setting.

Food temperature is too cold.

- Clean condenser coils.
- Adjust Fresh Food control.
- Adjust Deepfreeze® control to warmer setting. Allow several hours for temperature to adjust.

Refrigerator runs too frequently.

- It may be normal to maintain constant temperature.
- Doors may have been opened frequently or for an extended period of time.
- Allow time for recently added warm food to reach Fresh Food or Deepfreeze® temperature.
- Clean condenser coils.
- Adjust Deepfreeze® control.
- Check gaskets for proper seal.

Water droplets form on inside of refrigerator.

- It is normal during high humidity periods or if doors have been opened frequently.

Water droplets form on outside of refrigerator.

- Check door gaskets for proper seal.
- Turn exterior moisture control switch *ON*.

Garden Fresh™ crispers or Chiller Fresh™ system does not close freely.

- Check for a package which may prevent drawer from closing properly.
- Confirm drawer is in proper position.
- Clean drawer channels with warm, soapy water. Rinse and dry thoroughly.
- Apply a thin layer of petroleum jelly to drawer channels.
- Confirm refrigerator is level.

Refrigerator has an odor.

- See *Odor Removal* instructions in *Care and Cleaning* section.

Refrigerator or ice maker make unfamiliar sounds or seems too loud.

- It may be normal. See *Normal Operating Sounds* section.

Ice maker is not producing ice.

- Confirm ice maker arm is down.
- Confirm household water supply is reaching water valve.
- Confirm ice maker wiring harness is completely inserted into proper holes.
- Check for kinks in copper or plastic tubing. Remove kinks or replace tubing.
- Check electrical connections to water valve coil and connector block on refrigerator cabinet.
- Confirm Deepfreeze® section is operating at proper temperature.

Ice cubes have an odor.

- See *Odor Removal* instructions in *Care and Cleaning* section.
- Discard ice and clean ice bucket or trays more frequently. Ice cubes are porous and absorb odors easily.

Ice cubes stick together or 'shrink'.

- Empty ice cube bucket or trays more frequently. If used infrequently, ice cubes may stick together or shrink.

Ice forms in inlet tube to ice maker.

- Check water pressure. Low water pressure will cause valve to leak. Self-piercing valves cause low water pressure. **Amana recommends using a saddle valve. Contact 1-800-843-0304 or an Amana dealer for availability. Do not use self-piercing valve. Amana Appliances is not responsible for property damage due to improper installation or water connection.**

Warranty

Full One Year Warranty Full Five Year Warranty on Sealed System Components and Food Compartment Liner

First Year

Amana Appliances will repair or replace, free of charge, any part which is defective due to workmanship or materials.

Second through Fifth Year

Amana Appliances will replace, free of charge, any sealed system component (compressor, condenser, evaporator, and interconnecting tubing) and repair any food compartment liner (exclusive of door liner) which is defective due to workmanship or materials.

Warranty Limitations

- Begins at date of original purchase.
- Applies to product used within the United States or in Canada if product has Canadian Standards Association listing when shipped from the factory.
- Service must be performed by an **authorized** Amana technician.

Warranty Is Void If

- Serial plate is defaced.
- Product is used on a commercial, rental or leased basis.
- Product has defect or damage due to product accident, alteration, connection to an improper electrical supply, fire, flood, lightning, shipping and handling, or other conditions beyond the control of Amana Appliances.
- Product is improperly installed or used.

Owner's Responsibilities

- Provide proof of purchase (sales receipt).
- Provide normal care and maintenance. Replace owner replaceable items where directions appear in Owner's Manual.
- Make product reasonably accessible for service.
- Pay premium service costs for service outside technician's normal business hours.
- Pay for service calls related to product installation and usage.

In no event shall Amana Appliances be liable for incidental or consequential damages including food loss*

*This warranty gives you specific legal rights and you may have others which vary from state to state. For example, some states do not allow the exclusion or limitation of incidental or consequential damages so this exclusion may not apply to you.

Contenido

Piezas y accesorios	17
Requerimientos eléctricos	17
Identificación del modelo	17
Servicio	18
Plan de servicio extendido ASure™	18
Forma apropiada de desechar su refrigerador	18
Instrucciones para la instalación	18
Requerimientos de espacio	18
Para nivelar el refrigerador	18
Para invertir las puertas	19
Conexión para la línea de suministro de agua de la máquina de hielos (en algunos modelos)	21
Lista de verificación de la instalación	22
Controles	23
Controles de las secciones Alimentos frescos y congelador	23
Ajuste de los controles	23
Control de la humedad externa	23
Características de la sección Alimentos frescos	
Repisas de la sección Alimentos frescos	23
Sistema Chiller Fresh™ (en algunos modelos)	23
Cajones para verduras Garden Fresh™ (en algunos modelos)	24
Recipiente cubierto para el almacenamiento (en algunos modelos)	24
Centro para productos lácteos (en algunos modelos)	25
Compartimientos de la puerta	25
Repisas de la puerta	25
Características del congelador	26
Máquina de hielo automática	26
Repise de alambre (en algunos modelos)	26
Parrilla utilitaria reversible	26
Dispositivo de retención para paquetes altos (en algunos modelos)	26
Cuidado y limpieza	27
Generalidades	27
Eliminación de olores	27
Adhesivos	27
Empaques de la puerta	27
Serpentines del condensador	27
Repisas de vidrio	27
Focos	28
Surgencias para conservar energía	28
Sugerencias para las vacaciones	28
Ruidos del funcionamiento normal	29
Antes de llamar para solicitar servicio	30
Garantía	32

Piezas y accesorios

La compra de piezas de repuesto y accesorios adicionales (como: repisas de refrigerador,) se puede hacer por teléfono. Si desea pedir accesorios para su producto Amana llame al teléfono 1-800-843-0304 dentro de los EE.UU., o al 1-319-622-5511 fuera de los EE.UU.

Requerimientos eléctricos



Reconozca este símbolo como precaución de seguridad.



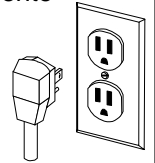
ADVERTENCIA

Para evitar descargas eléctricas que pueden causar lesiones personales graves o la muerte, no corte ni elimine la punta redonda de conexión a tierra del enchufe. El refrigerador debe estar conectado a tierra en todo momento. No quite el rótulo de advertencia del cordón eléctrico.

No utilice un adaptador de dos puntas.

No utilice un cable de extensión.

Instrucciones para conexión a tierra - Este refrigerador viene equipado con un enchufe de tres puntas (para conexión a tierra) para proveer protección contra posible riesgos de descargas eléctricas. Si el tomacorrientes de pared tiene sólo dos orificios, pida a un electricista experto que reemplace este tomacorrientes de pared de dos orificios por otro de tres orificios correctamente conectado a tierra, de conformidad con el Código Eléctrico Nacional de los EE.UU.



Este refrigerador ha sido diseñado para que funcione conectado a una línea separada de 103 a 126 voltios, 15 amperios y 60 ciclos.

Identificación del modelo

Gracias por haber comprado este refrigerador Amana®. Por favor lea todo el Manual del propietario. Este manual proporciona información sobre el mantenimiento adecuado. Si tiene alguna pregunta, sírvase llamar al Departamento de asuntos del consumidor al **1-800-843-0304** dentro de los EE.UU. y al **1-319-622-5511** fuera de los EE.UU.

Llene la tarjeta de registro y envíela lo más pronto posible. Si el refrigerador no incluye una tarjeta de registro, llame al Departamento de asuntos del consumidor.

Cuando se comunique con Amana Appliances, proporcione la información del producto. Esta información se encuentra en la placa del número de serie, ubicada en la esquina izquierda superior del techo de la sección Alimentos frescos. Anote la siguiente información:

Número de modelo: _____

Número de fabricación: _____

Número de serie (S/N): _____

Fecha de adquisición: _____

Nombre y dirección del distribuidor: _____

Servicio

Guarde una copia de la factura de venta para futura referencia o en caso de que necesite un servicio de garantía. Si tiene alguna pregunta o para localizar a un técnico autorizado de servicio, llame al 1-800-NAT-LSVC (1-800-628-5782) dentro de los EE.UU. o al 319-622-5511 fuera de los EE.UU. Un técnico autorizado de servicio debe efectuar el servicio de garantía. Amana también recomienda ponerse en contacto con un técnico autorizado si necesita servicio después de que caduque la garantía.

Plan de servicio extendido Asure™

Amana ofrece un servicio de protección a largo plazo para esta nueva estufa. El Plan de servicio extendido Asure™ está diseñado especialmente para complementar

la excelente garantía de Amana. Este plan cubre piezas, mano de obra y gastos de transportación. Llame al 1-800-528-2682 para solicitar más información.

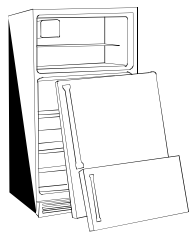
PELIGRO

Forma apropiada de desechar su refrigerador

IMPORTANTE: Los niños atrapados y asfixiados en refrigeradores no es cosa del pasado. Los refrigeradores que se arrumban o abandonan, aun cuando sea por “solo unos cuantos días”, continúan siendo un peligro. Si desecha un refrigerador viejo, sírvase seguir las siguientes instrucciones para ayudar a prevenir un accidente.

ANTES DE TIRAR SU REFRIGERADOR O CONGELADOR VIEJO:

- Quítele las puertas.
- Déjele las repisas puestas para que los niños no puedan meterse fácilmente.



Instrucciones para la instalación

La instalación correcta del refrigerador asegurará el funcionamiento más eficiente. Amana no se puede hacer responsable de una instalación incorrecta.

Requerimientos de espacio

ADVERTENCIA

Mantenga los materiales y los vapores inflamables, como gasolina, lejos del refrigerador. El no hacerlo puede causar como resultado la muerte, una explosión, un incendio o quemaduras.

- Para asegurar la ventilación apropiada del refrigerador, deje un espacio de 1" (2.5 cm) en la parte superior del refrigerador.
- Si su refrigerador tiene una máquina para hacer hielo, asegúrese de dejar espacio adicional en la parte posterior para la conexión de la línea de agua. El refrigerador puede estar al ras con la pared posterior si no instala una máquina para hacer hielo.
- Si se instala el refrigerador junto a una pared fija, deje un espacio de 2 1/2" (6.35 cm) en cada lado (dependiendo del modelo) para permitir que las puertas se abran 90°.

NOTA: No instale el refrigerador junto a un horno, radiador u otra fuente de calor, ni en un área donde la temperatura bajará a menos de 55° F (13° C).

Para nivelar el refrigerador

PRECAUCIÓN

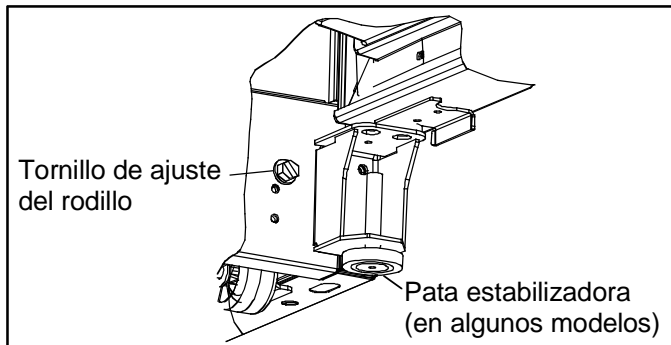
Para evitar daños materiales, cuando mueva el refrigerador, proteja los pisos de vinilo suave o de otro tipo con cartones, alfombras o algún otro material protector. Compruebe que la pata estabilizadora está levantada cuando mueva el refrigerador, la pata se levanta girándola en dirección contraria a la de las manecillas del reloj.

Algunas instalaciones pueden requerir que las puertas se tengan que invertir para que puedan abrirse completamente. Si es así, continúe con la sección “Para invertir las puertas” antes de nivelar el refrigerador.

Si su refrigerador requiere que se conecte la máquina de hielo, continúe con la sección “Conexión para la línea de suministro de agua para la máquina de hielo” en la página 6 antes de nivelar el refrigerador.

1. Enchufe el cordón eléctrico.
2. Mueva el refrigerador a la ubicación final.
3. Nivele el refrigerador con un nivelador colocado encima del refrigerador y realizando los pasos siguientes:
 - Quite la parrilla inferior y la cubierta de la bisagra inferior si el refrigerador tiene una pata estabilizadora.

- Gire $\frac{3}{8}$ " (.4 mm) el tornillo de ajuste para subir o bajar el gabinete del refrigerador. La parte delantera del refrigerador debe estar $\frac{1}{4}$ " (6 mm) ó $\frac{1}{2}$ burbuja de nivel más alta que la parte posterior.
- *Asegúrese de que el gabinete del refrigerador esté nivelado de lado a lado ajustando los tornillos de ajuste izquierdo y derecho. Gire la pata estabilizadora (en algunos modelos) en sentido de las manecillas del reloj hasta que quede firme sobre el piso.*
- Gire la rosca estabilizadora en el sentido de las manecillas de reloj hasta que esté firmemente apoyado contra el piso.



4. Vuelva a colocar la parrilla y la cubierta de la bisagra inferiores. Busque la flecha pintada en la parte interior de la parrilla para asegurar la colocación apropiada.
 - **Primero coloque a presión la porción superior en su lugar.** Oprima la parte inferior de la parrilla hasta que la porción inferior entre a presión en su lugar.
5. Continúe con *Nivelación del refrigerador* para la colocación final del refrigerador.

Para invertir las puertas

ADVERTENCIA

Desconecte la corriente eléctrica del refrigerador antes de quitar las puertas para evitar descargas eléctricas que pueden causar lesiones personales graves o la muerte. Después de volver a colocar las puertas, conecte la corriente eléctrica.

Herramientas necesarias

Espátula (con la hoja cubierta con cinta adhesiva masking)

Desarmador hexagonal de tuercas de 5/16"

Desarmador hexagonal de tuercas de 3/8"

Desarmador hexagonal de tuercas de 9/32"

Desarmador Phillips

Desarmador plano

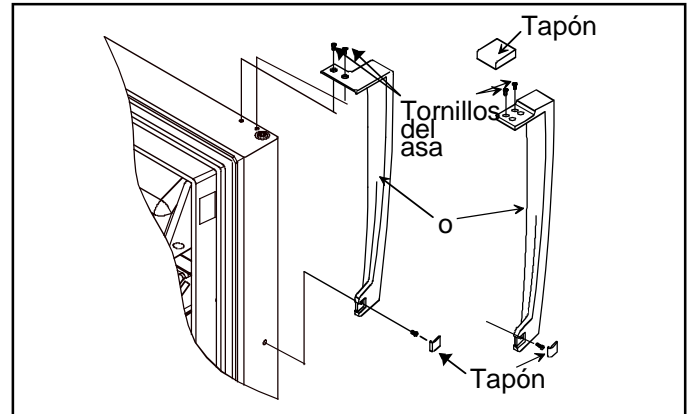
Algunas instalaciones pueden requerir que las puertas se tengan que invertir para que puedan abrirse completamente. Si es así, ejecute los pasos siguientes:

1. Quite e invierta los tiradores del refrigerador y del congelador siguiendo los pasos a continuación:

IMPORTANTE: Cuando se requiera el uso de un destornillador plano o de una espátula para quitar la

clavija, la hoja de la herramienta que se use deberá estar cubierta con cinta de papel para evitar daños al acabado del refrigerador. Para las clavijas que tienen cabeza tipo destornillador, se debe usar el destornillador apropiado para evitar dañar las clavijas.

- Quite las tapas de los extremos superior (en algunos modelos) e inferior del asa del refrigerador con un destornillador plano con la hoja cubierta con cinta masking. Quite dos tornillos de la parte superior y uno de la base del asa.

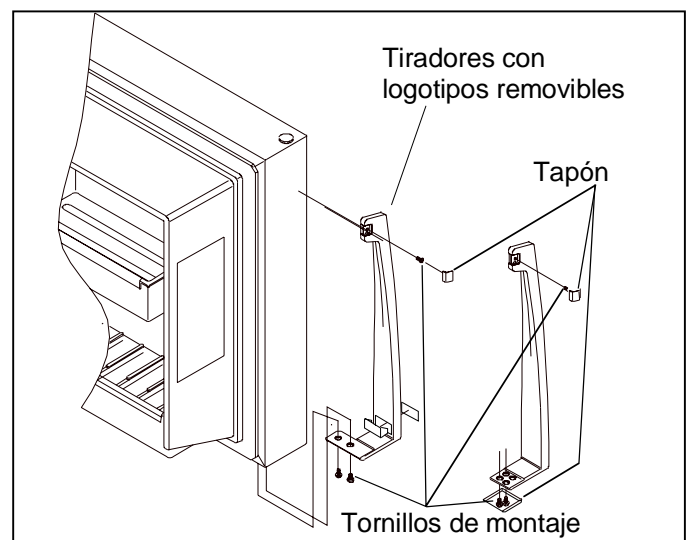


• Modelos con logotipos reversibles automáticamente.

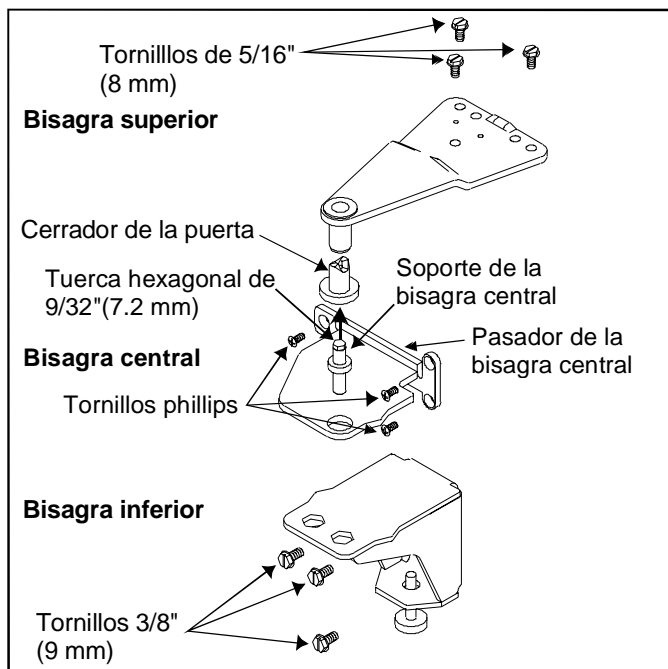
Extraiga el extremo de la tapa de la parte superior del tirador del congelador con un desarmador con la hoja cubierta con cinta adhesiva masking (vea la ilustración más abajo). Extraiga un tornillo superior y dos inferiores de montaje.

• Tiradores con logotipos removibles

Extraiga las tapas de los tornillos de los tiradores con un desarmador con la hoja cubierta con cinta adhesiva masking. Quite los tornillos del tirador para extraerlo del congelador. Retire la cubierta del tirador del congelador levantándola por el extremo. Doble hacia arriba las lengüetas colocadas detrás de la placa de la marca y retírela. Invierta la placa y cubra el tiraor.

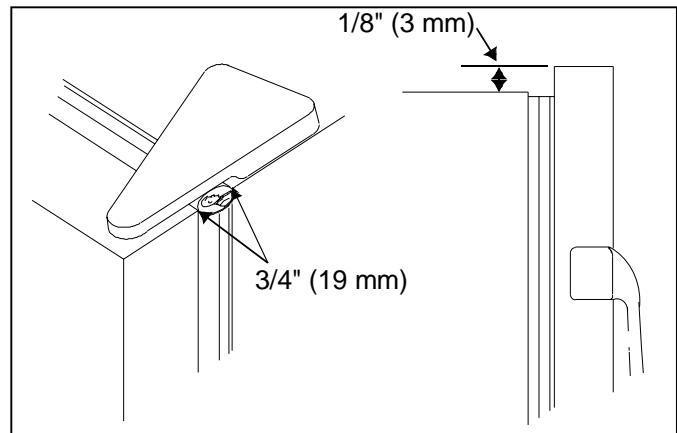


2. Quite la cubierta de la bisagra superior, ésta es colocada a presión y salta rápidamente. Quite la bisagra superior y la laminilla usando un desarmador para tuercas hexagonales.
3. Levante la puerta del congelador para sacarla de la bisagra central.
4. Levante el cerrador de la puerta para sacarlo del pasador de la bisagra central. Quite el pasador de la bisagra central. Extraiga el pasador de la bisagra central con un desarmador para tuercas de cabeza hexagonal de $\frac{9}{32}$ ".
5. Quite la puerta del congelador levantándola de la bisagra inferior.
6. Quite el soporte de la bisagra central y la laminilla usando un desarmador Phillips.
7. Quite la parrilla inferior y la cubierta de la bisagra inferior. Ambas están colocadas a presión y saltan rápidamente.
8. Quite la bisagra inferior y la laminilla usando un desarmador de tuercas hexagonales.

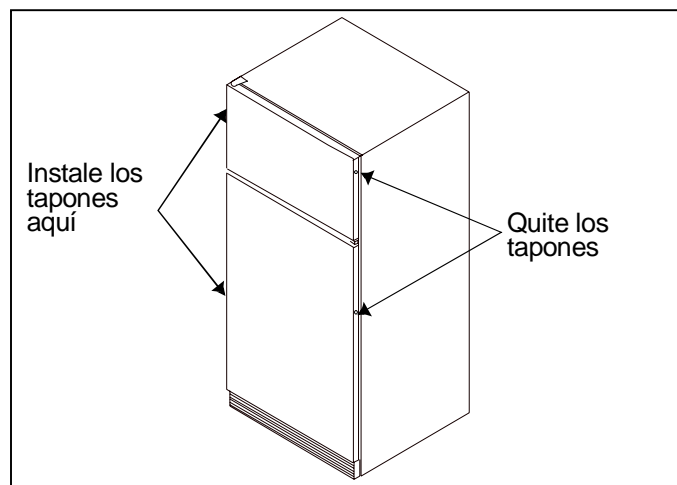


9. Invierta las puertas siguiendo los pasos a continuación:
 - Reemplace la bisagra inferior y el espaciador en el lado opuesto del gabinete.
 - Extraiga los tornillos inferiores del larguero central de la puerta. Coloque los tornillos inferiores en los orificios que quedaron al retirar el soporte de la bisagra. Gire el soporte de la bisagra central 180° e instale el soporte de la bisagra central en el lado opuesto del gabinete con los tornillos de la bisagra. Vuelva a usar las arandelas del pasador de la bisagra de plástico.
 - Coloque la puerta del refrigerador en la bisagra inferior. Instale el pasador de la bisagra central en su soporte. Coloque el cierre de la puerta en el pasador de la bisagra central.

- Extraiga los tapones inferiores de la parte superior del gabinete del refrigerador. Coloque de nuevo los tapones en los orificios que quedaron al quitar la bisagra superior. Retire la cubierta del orificio de la bisagra de la puerta del congelador. Colóquela en el lado opuesto de la puerta del congelador.
- Coloque la puerta del congelador en la bisagra central y en el cierre de la puerta. Instale la bisagra superior y el espaciador en el lado opuesto del gabinete con un desarmador para tuercas de cabeza hexagonal. Encaje a presión la cubierta de la bisagra en el lugar de la bisagra.
- Use una moneda en la parte superior para dejar $\frac{3}{4}$ " (19 mm) de espacio entre la puerta y el gabinete. Asegúrese de que el lado del tirador de la puerta esté $\frac{1}{8}$ " (3 mm) más alto que el lado de la bisagra de la puerta antes de apretar los tornillos de la bisagra superior.



10. Quite los tapones del lado contrario a las bisagras de las puertas del refrigerador y del congelador usando una espátula con la hoja cubierta con cinta adhesiva masking.



11. Monte el asa del congelador en el lado opuesto de la puerta del refrigerador usando los tornillos de montaje que quitó con anterioridad. Coloque el tapón de la base en su lugar.

12. Monte el asa del refrigerador en el lado opuesto de la puerta del congelador usando los tornillos de montaje que quitó con anterioridad. Coloque el tapón de la base en su lugar.
13. Vuelva a colocar los tapones en el lado de los orificios vacíos en las puertas del refrigerador y congelador.
14. Continúe con el procedimiento de *Nivelación del refrigerador* para ver la colocación final del refrigerador.

Conexión para la línea de suministro de agua de la máquina de hielos (en algunos modelos)

PRECAUCIÓN

Para evitar daños materiales, proteja el piso vinílico suave o de otro tipo con cartones, alfombras u otros materiales protectores cuando mueva el refrigerador. Asegúrese de que la pata estabilizadora está levantada antes de mover el refrigerador, levántela girándola en dirección contraria a las manecillas del reloj.

PRECAUCIÓN

Acate los puntos siguientes para evitar daños materiales:

- Compruebe que la presión del agua en la válvula de agua esté entre 20 y 120 libras por pulgada cuadrada.
- Apriete la conexión y las tuercas del adaptador con unas pinzas y con una llave de tuercas. No lo apriete de más.
- Revise si hay goteras de agua y arréguelas si es necesario antes de volver a colocar el refrigerador en su lugar. Después de 24 horas revise nuevamente si hay goteras.

Importante

- Antes de conectar el suministro de agua, comuníquese con un plomero para que conecte la tubería de cobre a la plomería de la casa en conformidad con los códigos y reglamentos locales.
- ¡NO utilice válvulas de tipo de penetración o de sillín de 3/16" (9 mm)! Ambas reducen el flujo del agua, con el tiempo se obstruyen y pueden causar goteras si trata de repararlas. El tipo correcto de válvula de cierre requiere que se haga un orificio de 1/4" (6 mm) en la tubería del suministro de agua antes de conectar la válvula.

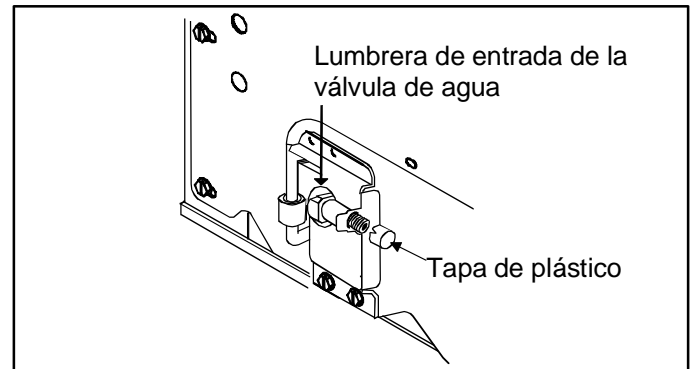
Materiales necesarios

Se requiere tubería de cobre flexible de 1/4" (6 mm) de D.E. La longitud de la tubería de cobre debe alcanzar

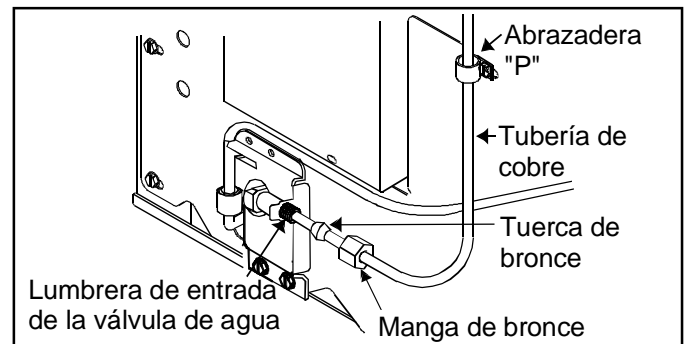
desde la conexión del suministro de agua hasta la lumbrera de entrada de la válvula de agua. Se necesitan 8 pies (2 m) adicionales de tubería para un lazo de servicio. El lazo de servicio permitirá que el refrigerador se pueda separar de la pared sin desconectar la tubería.

Procedimiento

1. Quite la tapa de plástico de la lumbrera de entrada de la válvula de agua.



2. Coloque la tuerca y la manga de bronce en la tubería de cobre. (La tuerca y la manga de bronce se encuentran en el paquete de literatura.) Introduzca la tubería de cobre en la lumbrera de entrada de la válvula de agua. Conecte la tuerca de bronce en la tubería de cobre en la lumbrera de entrada de la válvula de agua. Compruebe que la tubería de cobre esté bien segura tirando de ella ligeramente.



3. Haga un lazo de servicio con extremo cuidado para evitar dobleces. Asegure la tubería de cobre al gabinete del refrigerador con una abrazadera "P".
4. Abra el suministro de agua que va al refrigerador y revise posibles goteras. Repare las goteras cuando lo conecte. Tenga cuidado de no apretar demasiado la conexión.
5. Continúe con *Para nivelar el refrigerador* para la ubicación final del refrigerador.

Lista de verificación de la instalación

Esta lista de verificación sirve para llevar un registro personal exclusivamente.

Consumidor Instalador

Puertas

Los tiradores están firmemente fijados a las puertas.

El lado del refrigerador que tiene el tirador está aproximadamente $\frac{1}{8}$ de pulgada (3 mm) más alto que el lado donde está la bisagra. (La puerta se baja cuando el refrigerador está lleno con alimentos).

Las puertas se sellan completamente al gabinete del refrigerador.

Nivelación

El refrigerador está inclinado $\frac{1}{4}$ " (6 mm) de adelante hacia atrás.

La rejilla inferior está unida correctamente al refrigerador.

Máquina para hacer hielo

La línea de suministro de agua al refrigerador está abierta.

No hay goteras en la conexión entre la línea de suministro de la casa y el refrigerador. (24 horas más tarde el consumidor debería revisar la conexión para ver si hay goteras).

El brazo de la máquina para hacer hielo está en la posición de activación para producir hielo. (La producción del primer lote de hielo puede tardar hasta 24 horas).

Documentación del producto

El manual del propietario ha sido revisado incluyendo la siguiente información:

- tarjeta de registro del producto
- controles de las secciones Alimentos frescos y congelador
- sistema Chiller Fresh™
- cajón para verduras Garden Fresh™
- ruidos del funcionamiento normal

Notas

Firma del consumidor

Firma del instalador

Nombre/Número de teléfono
de la compañía instaladora

Fecha

Controles

Este refrigerador funciona con mayor eficacia a temperaturas normales de casa, entre 55° y 110°F (13° y 43°C).

Controles de las secciones Alimentos frescos y congelador

Los controles del refrigerador y del congelador están ubicados en el separador central entre las secciones del refrigerador y del congelador.

Cuando el control del congelador está en la posición 'desactivada' (■), ni la sección Alimentos frescos ni el congelador enfriarán. Cuando el control del congelador está en la posición desactivada, ni la sección Alimentos frescos ni el congelador enfriarán. Inicialmente fije ambos controles en 4. Espere 24 horas hasta que las secciones Alimentos frescos y congelador alcancen las temperaturas deseadas. Después de 24 horas, ajuste los controles, un solo número a la vez, según se desee. El símbolo * es el menos frío y el símbolo ** el más frío.

Ajuste de los controles

Ajuste con precisión los controles utilizando un termómetro común que abarque temperaturas entre -5° y 50°F (-21° y 10°C).

Coloque el termómetro ceñidamente entre paquetes congelados en la sección congelador y espere de 5 a 8 horas. Si la temperatura de la sección congelador no se encuentra entre 0° y 2°F (-17° y -16°C), ajuste el control, un solo número a la vez. Compruebe nuevamente después de 5 a 8 horas.

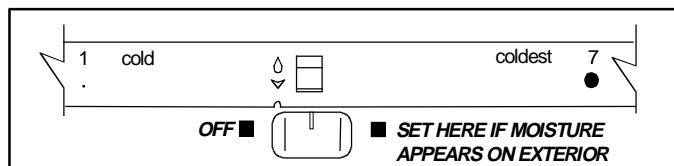
Coloque el termómetro en un vaso de agua en medio de la sección Alimentos frescos y espere de 5 a 8 horas. Si la temperatura de la sección Alimentos frescos no se encuentra entre 38° y 40°F (3° y 4°C), ajuste el control, un solo número a la vez. Compruebe nuevamente después de 5 a 8 horas.

Control de la humedad externa

El control de la humedad externa (☼) se encuentra ubicado en el separador central, entre las secciones de Alimentos frescos y congelador.

En condiciones de mucha humedad, los refrigeradores forman condensación alrededor de las puertas. Calentadores especiales en el gabinete del refrigerador reducen la condensación. En este refrigerador se usa acero al alta calidad. Sin embargo, la exposición constante a la humedad podría causar que el gabinete del refrigerador se oxidara.

Encienda esta característica del refrigerador si va a estar ubicado en un área húmeda o cuando la humedad sea aparente alrededor de las puertas. Ajuste el control en OFF (apagado) si el refrigerador está en un área no muy húmeda. El ajuste puede cambiarse como cambien las condiciones ambientales.



Características de la sección Alimentos frescos

! CUIDADO

Para evitar daños a la propiedad, verifique que la repisa esté bien instalada antes de colocar artículos en la misma.

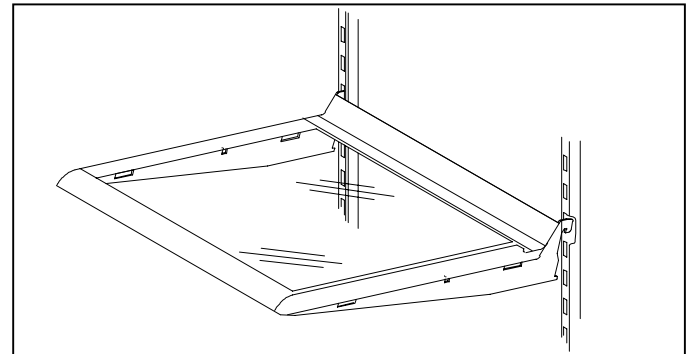
Repisas de la sección Alimentos frescos

Las repisas se ajustan para satisfacer las necesidades individuales de almacenamiento. Algunos modelos vienen con repisas Spillsaver™. Las repisas Spillsaver™ contienen los derrames menores para facilitar la limpieza.

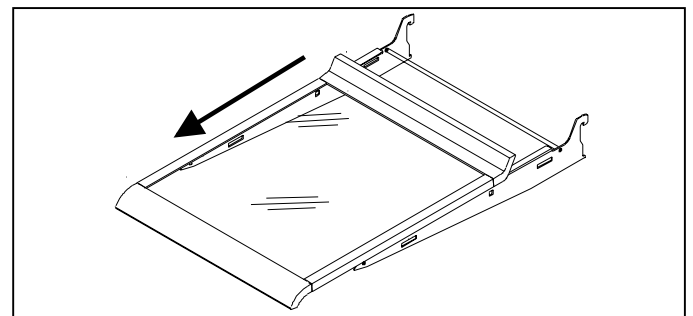
! CUIDADO

Maneje con cuidado las repisas de vidrio templado para evitar lesiones personales o daños a la propiedad. Las repisas se pueden romper súbitamente si sufren raspaduras, golpes o se exponen a cambios repentinos de temperatura.

- Quite las repisas levantando la parte delantera y liberando los ganchos de la guía metálica.
- Vuelva a colocar las repisas insertando los ganchos en la guía metálica y bajando el frente.



Las repisas EasyGlide™ (Certains modèles) se pueden jalar hacia adelante para sacar más fácilmente los artículos que están atrás.

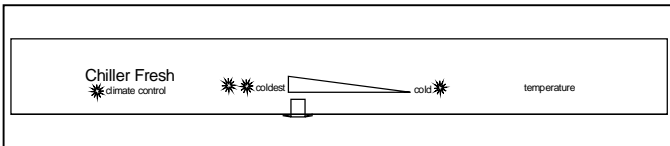


Sistema Chiller Fresh™ (Certains modèles)

El sistema Chiller Fresh™ incluye un cajón con rieles dentro de un compartimiento aislante. El aire circula entre el cajón y el compartimiento aislante. Este sistema conserva frescos los alimentos por más tiempo y hasta 5°F (3°C) más fríos que la temperatura de la sección Alimentos frescos.

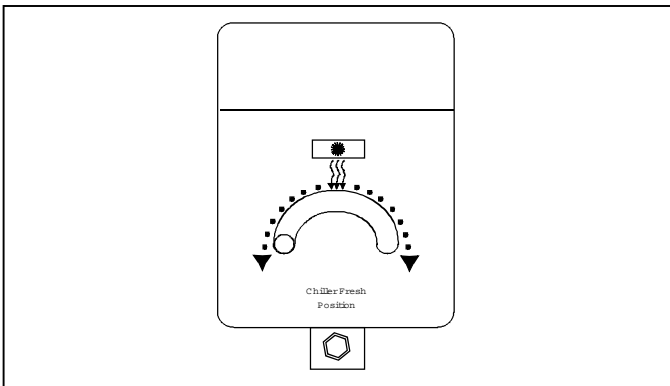
El control del Chiller Fresh™ está ubicado debajo del adorno de la repisa delantera. El control ajusta la

cantidad de aire que circula alrededor del cajón. Deslice el control hacia *cold* (frío) para la temperatura normal de la sección Alimentos frescos y hacia *coldest* (frío máximo) para la temperatura más fría. Es posible que se formen cristales de hielo en el cajón o en los alimentos en la posición *coldest* (frío máximo). El aire frío puede disminuir la temperatura de la sección Alimentos frescos. Tal vez sea necesario ajustar el control de la sección Alimentos frescos.



- Retirez le tiroir en le soulevant et en tirant sur celui-ci. Retirez l'étagère en soulevant le devant de celle-ci, en dégageant les crochets des rails métalliques puis en tirant.
- Remplacez l'étagère en insérant les crochets dans les rails métalliques et en abaissant le devant. N'utilisez que les fentes 1 à 3 seulement. Remettez le tiroir en place en le faisant glisser vers l'avant.

Lors du déplacement du système Chiller Fresh™ vers la gauche ou la droite, déplacez le contrôle situé au centre du mur arrière de la section Alimentos frescos du même côté que le système.



Cajones para verduras Garden Fresh™

(Certains modèles)

Los cajones para verduras Garden Fresh™ conservan frescas las verduras por más tiempo. No lave las verduras antes de colocarlas en los cajones. El exceso de humedad podría causar que se echen a perder prematuramente. No forre los cajones para verduras con toallas de papel. Las toallas de papel retienen la humedad.

El control del Garden Fresh™ está ubicado debajo del adorno de la repisa delantera. El control ajusta la humedad en los cajones. Deslice el control hacia *high* (alta) para productos que tienen hojas, como la lechuga, espinacas o repollo. Deslice el control *low* (baja) para productos que tienen cáscara, como la coliflor, los elotes o los jitomates.

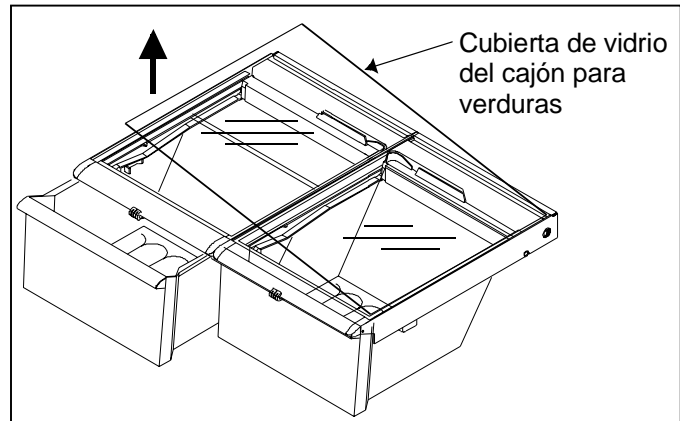
Quite las repisas y los cajones realizando los siguientes pasos:

1. Abra el cajón izquierdo*. *Para las puertas con las bisagras en el lado izquierdo, abra el cajón derecho.

CUIDADO

Maneje con cuidado las repisas de vidrio templado para evitar lesiones personales o daños a la propiedad. Las repisas se pueden romper súbitamente si sufren raspaduras, golpes o se exponen a cambios repentinos de temperatura.

2. Quite la cubierta de vidrio del cajón para verduras empujando suavemente hacia arriba desde abajo. Incline un extremo hacia arriba luego jálalo.

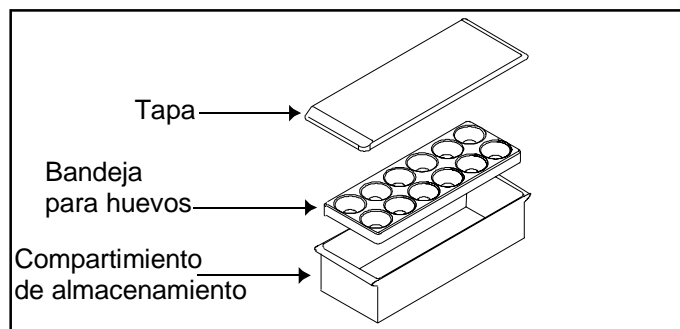


3. Quite el cajón Crisper izquierdo levantando la parte delantera mientras lo sostiene por debajo y luego jalándolo.
 - Para las puertas con las bisagras en el lado izquierdo, quite el cajón para verduras derecho.
4. Extraiga el poste de soporte del orificio en el centro de la parte inferior de la sección de alimentos frescos.
5. Quite el otro cajón para verduras deslizándolo hacia la pared opuesta. Levante por delante el cajón mientras lo sostiene por debajo y luego jálalo.
6. Vuelva a colocar los cajones crisper y la repisa repitiendo los pasos del 1 al 5 en orden inverso.

Recipiente cubierto para el almacenamiento

(en algunos modelos)

Este recipiente tiene una tapa y una bandeja desmontable para huevos. Cuando se saca la bandeja, se pueden acomodar artículos tales como cajas regulares de huevos, hielo, etc.

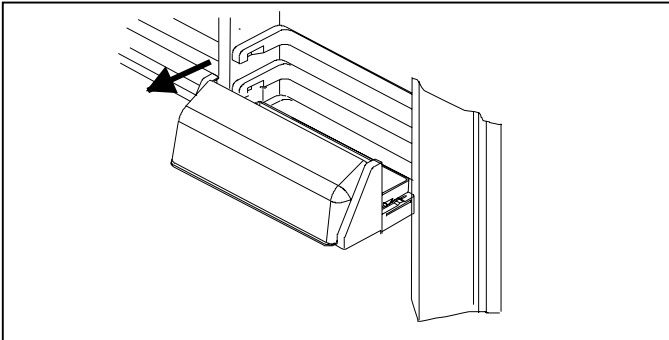


Centro para productos lácteos

(en algunos modelos)

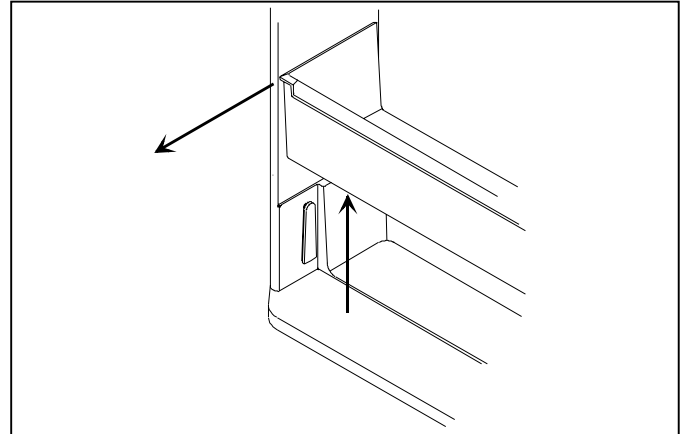
El centro para productos lácteos es un lugar conveniente para guardar mantequilla, quesos, etc.

- Quite el centro para productos lácteos levantando la puerta, empujando las pestañas hacia el centro y jalando hacia afuera.
- Vuelva a colocar el centro para productos lácteos deslizándolo hasta que la pestañas encajen en su sitio y luego baje la puerta.



Repisas de la puerta

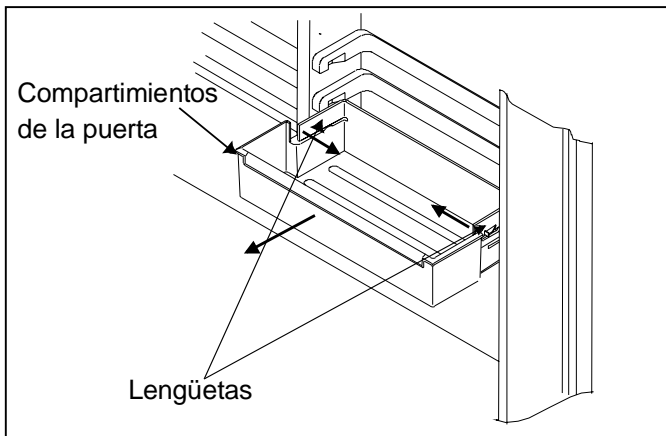
- Quite las repisas de la puerta levantándolas por los extremos y jalando hacia afuera.
- Vuelva a colocar las repisas acomodándolas en las guías y deslizándolas hacia abajo.



Compartimientos de la puerta

Los compartimientos de la puerta se ajustan para satisfacer las necesidades individuales de almacenamiento.

- Quite los compartimientos de la puerta empujando las pestañas hacia el centro y jalando hacia afuera.
- Vuelva a poner los compartimientos de la puerta deslizándolos hasta que las pestañas encajen en su sitio.



Características del congelador



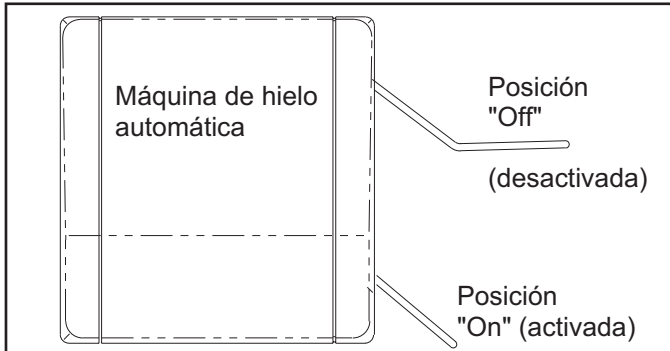
PRECAUCIÓN

Verifique que la repisa esté firmemente puesta antes de colocar artículos en ella para evitar daños materiales.

Máquina de hielo automática

(en algunos modelos)

- Verifique que los recipientes para hielo estén en su sitio y que el brazo de la máquina de hielo esté hacia abajo.



- Después que la sección del congelador alcanza la temperatura normal, la máquina de hielo se llena de agua y comienza a funcionar. Espere de 24 a 48 horas después de instalarla para que los hielos estén listos. La máquina de hielo produce de 7 a 9 raciones de hielo durante 24 horas bajo condiciones ideales.
- Después de que se forma el hielo, la máquina deja caer los cubos de hielo adentro del recipiente. Mientras el hielo se está haciendo, el brazo de la máquina se levanta y se baja. Cuando el recipiente de hielo se llena, el brazo de la máquina la desactiva. Deseche las tres primeras raciones de hielo después de instalar el refrigerador al suministro de agua.
- Si desea detener la producción automática de hielo levante el brazo de la máquina. Se escucha claramente un chasquido cuando se coloca en la posición adecuada. El brazo de la máquina se quedará en esta posición hasta que se empuje hacia abajo.



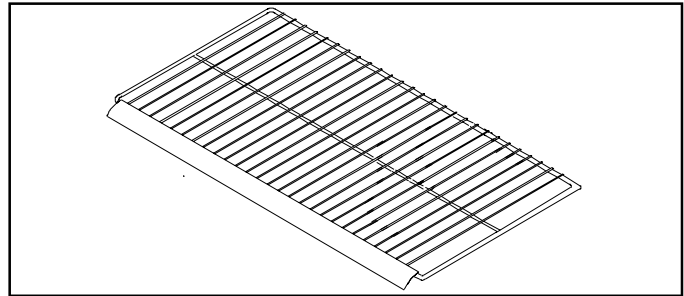
PRECAUCIÓN

Para evitar que se dañe la máquina de hielo, ejecute los pasos siguientes:

- No fuerce el brazo de la máquina de hielo hacia arriba ni hacia abajo más allá de la posición de parado.
- No coloque ni almacene nada en el compartimento para hielo.

Repise de alambre

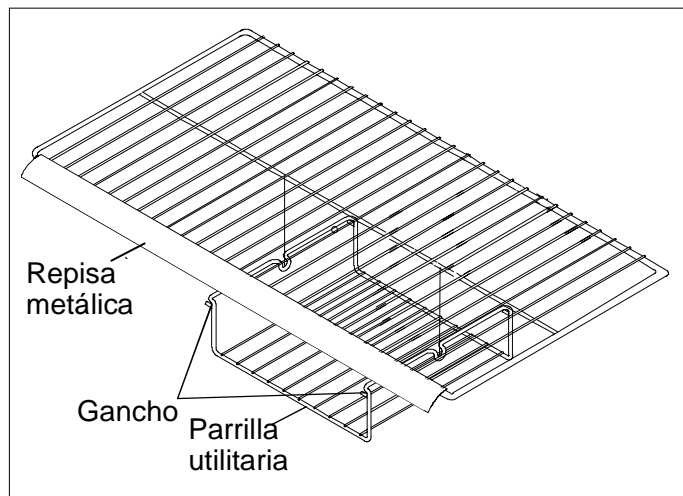
- Quite la repisa de alambre inclinando un extremo hacia arriba y jalando hacia afuera.
- Coloque la repisa de alambre de nuevo inclinando un extremo hacia arriba y colocando el extremo en borde. Incline el otro extremo hacia abajo y colóquelo en el borde.



Parrilla utilitaria reversible

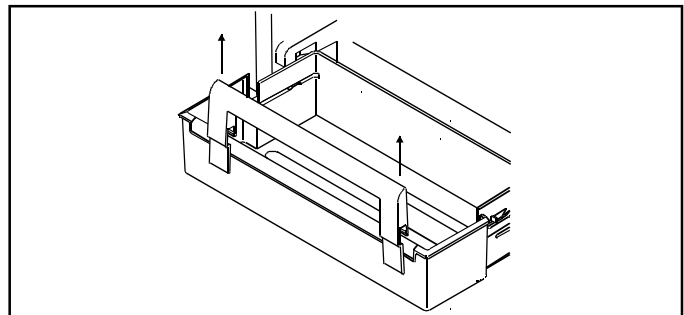
La parrilla utilitaria del congelador proporciona un espacio extra para las charolas de cubos de hielo y otros artículos. Retire la parrilla realizando los siguientes pasos:

1. Localice el gancho de la parrilla utilitaria en el lado opuesto de la articulación esférica. Mientras sostiene firmemente la repisa metálica con las dos manos, presione el gancho hacia adelante con los pulgares hasta que se desuna la parrilla utilitaria y se aflojen las articulaciones.
2. Vuelva a ejercer presión en la articulación esférica hasta que se separe la parrilla utilitaria.



Dispositivo de retención para paquetes altos (en algunos modelos)

El dispositivo de retención para paquetes altos mantiene seguros los artículos altos. El dispositivo cabe en cualquiera de los compartimientos o repisas de la puerta.



Cuidado y limpieza

ADVERTENCIA

Desconecte la corriente eléctrica al refrigerador antes de limpiarlo para evitar descargas eléctricas que pueden causar lesiones graves o la muerte. Después de limpiarlo, vuelva a conectar la corriente.

CUIDADO

Lea y cumpla con las instrucciones del fabricante de los productos de limpieza para evitar lesiones personales o daños a la propiedad.

Generalidades

1. Lave las superficies con cuatro cucharadas de bicarbonato de sodio disuelto en un litro de agua tibia utilizando un trapo suave y limpio.
2. Enjuague las superficies con agua tibia. Seque las superficies con un trapo suave y limpio.
 - No utilice los siguientes productos:
 - limpiadores abrasivos o ásperos tales como amoníaco, cloro, etc.
 - detergentes o disolventes concentrados
 - estropajos metálicosEstos productos pueden rayar, rajar y descolorar las superficies.
 - No lave las repisas, recipientes, etc. en un lavaplatos automático.

Eliminación de olores

1. Saque todos los alimentos y desconecte la corriente eléctrica al refrigerador.
2. Lave todas las superficies interiores incluyendo el techo, el piso y las paredes, de acuerdo con las instrucciones de limpieza de la sección «Generalidades». Preste atención especial a las esquinas, hendiduras y ranuras. Incluya todos los accesorios, cajones, repisas y empaques.
3. Conecte la corriente eléctrica al refrigerador y vuelva a colocar los alimentos en el refrigerador. Lave y seque todas las botellas, frascos y recipientes. Guarde todos los alimentos en recipientes sellados herméticamente para evitar malos olores adicionales. Después de 24 horas revise si se ha eliminado el olor.

Si no se ha eliminado el olor, siga los siguientes pasos.

4. Complete los pasos del 1 al 2.
5. Coloque los cajones para verduras en la repisa superior de la sección Alimentos frescos. Llene las secciones Alimentos frescos y Congelador, incluyendo las puertas, con hojas estrujadas de periódico blanco y negro.

6. Coloque pedazos de carbón en diferentes lugares del periódico.
7. Cierre las puertas y deje reposar de 24 a 48 horas.
8. Saque los pedazos de carbón y los periódicos.
9. Complete los pasos 2 y 3.

Si aún no se ha eliminado el olor, comuníquese con el Departamento de asuntos del consumidor. Refiérase a la sección de Identificación del modelo para obtener el número telefónico.

Adhesivos

1. Elimine el residuo de goma frotando un poco de pasta dental sobre el adhesivo hasta aflojarlo.
2. Enjuague la superficie con agua tibia. Seque la superficie con un trapo limpio y suave.

Empaques de la puerta

1. Limpie los empaques de la puerta cada tres meses de acuerdo con las instrucciones de limpieza de la sección «Generalidades».
2. Aplique una capa delgada de vaselina para mantener los empaques flexibles.

Serpentines del condensador

Limpie el serpentín del condensador cada tres meses para asegurar un funcionamiento óptimo del refrigerador. La acumulación de polvo y pelusas puede causar lo siguiente:

- menor rendimiento de enfriamiento
 - aumento del consumo de energía
 - falla prematura de las piezas
1. Quite la rejilla inferior sosteniéndola de los extremos y jalándola hacia adelante.
 2. Limpie la superficie delantera del serpentín con la boquilla de manguera de una aspiradora.
 3. Vuelva a colocar la rejilla inferior insertando y encajando las presillas en los agujeros del gabinete.

CUIDADO

Para evitar daños a la propiedad, proteja los pisos de vinilo delicado o de otra clase con cartones, tapetes u otros materiales de protección.

4. Eleve la rosca estabilizadora (en algunos modelos) girándola en sentido contrario al de las manecillas del reloj.

Repisas de vidrio

CUIDADO

Maneje con cuidado las repisas de vidrio templado para evitar lesiones personales o daños a la propiedad. Las repisas se pueden romper súbitamente si sufren raspaduras, golpes o se exponen a cambios repentinos de temperatura.

Sugerencias para conservar energía

Saque la repisa levantándola del frente, liberando los ganchos de los rieles metálicos, luego jalando la repisa hacia adelante. Colóquela sobre una toalla y permita que la repisa se adapte a la temperatura ambiental durante una hora antes de limpiarla.

Limpie las hendiduras haciendo lo siguiente:

1. Diluya un detergente suave y aplíquelo en las hendiduras usando un cepillo con cerdas de plástico. Déjelo reposar durante cinco minutos.
2. Rocíe agua tibia en las hendiduras usando un aditamento para rociar agua desde el grifo.
3. Seque bien la repisa y vuelva a colocarla insertando los ganchos en los rieles metálicos y bajando la parte delantera.

Focos

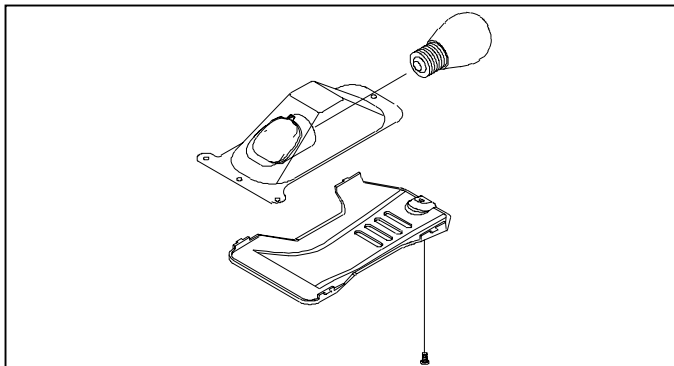
ADVERTENCIA

Desconecte la corriente eléctrica al refrigerador antes de cambiar los focos para evitar descargas eléctricas que podrían causar lesiones graves o la muerte. Después de cambiar los focos, vuelva a conectar la corriente.

CUIDADO

Lleve a cabo lo siguiente para evitar lesiones Personales o daños a la propiedad:

- Permita que se enfríe el foco.
 - Use guantes para cambiar el foco.
1. Retire la tapa del foco quitando el tornillo de la parte posterior central. Baje la tapa. Reemplace los focos con focos de 40 Watts para electrodomésticos.
 2. Reemplace la tapa del foco colocándola sobre el foco. Inserte y apriete el tornillo.



Este refrigerador está diseñado para ser uno de los refrigeradores más eficientes en consumo de energía disponibles. Reduzca el uso de energía realizando los pasos siguientes:

- Manténgalo funcionando a temperaturas normales entre 55° y 110°F (13° y 43°C) alejado de las fuentes de calor y de la luz directa del sol.
- No ajuste los controles del Alimentos frescos, congelador ni del Chiller Fresh™ a una temperatura más fría que lo que sea necesario.
- Mantenga llena la sección congelador.
- Mantenga los empaques de la puerta limpios y flexibles. Reemplace los empaques si están gastados.
- Mantenga limpios los serpentines del congelador.
- Gire el control de humedad exterior a la posición *ON* (encendido) cuando sea necesario.

Sugerencias para las vacaciones

Siga los siguientes pasos en caso de tomarse vacaciones breves.

1. Saque los alimentos que se puedan echar a perder. **La garantía no cubre las pérdidas de alimentos.** Revise su certificado de garantía para ver si cubre algo en específico.
2. Si tiene instalada una máquina para hacer hielo, ponga el brazo de la máquina en posición *desactivada (off)*.

Siga los siguientes pasos en caso de tomarse vacaciones largas.

1. Vacíe las secciones Alimentos frescos y congelador.
2. Desenchufe el refrigerador.
3. Limpie el interior del refrigerador y los empaques de las puertas de acuerdo con las instrucciones de limpieza de la sección «Generalidades» en la sección «Cuidado y limpieza».
4. Deje las puertas abiertas para que pueda circular el aire en el interior.
5. Si tiene instalada una máquina para hacer hielo, cierre el suministro de agua al refrigerador y ponga el brazo de la máquina en posición *desactivada (off)*.

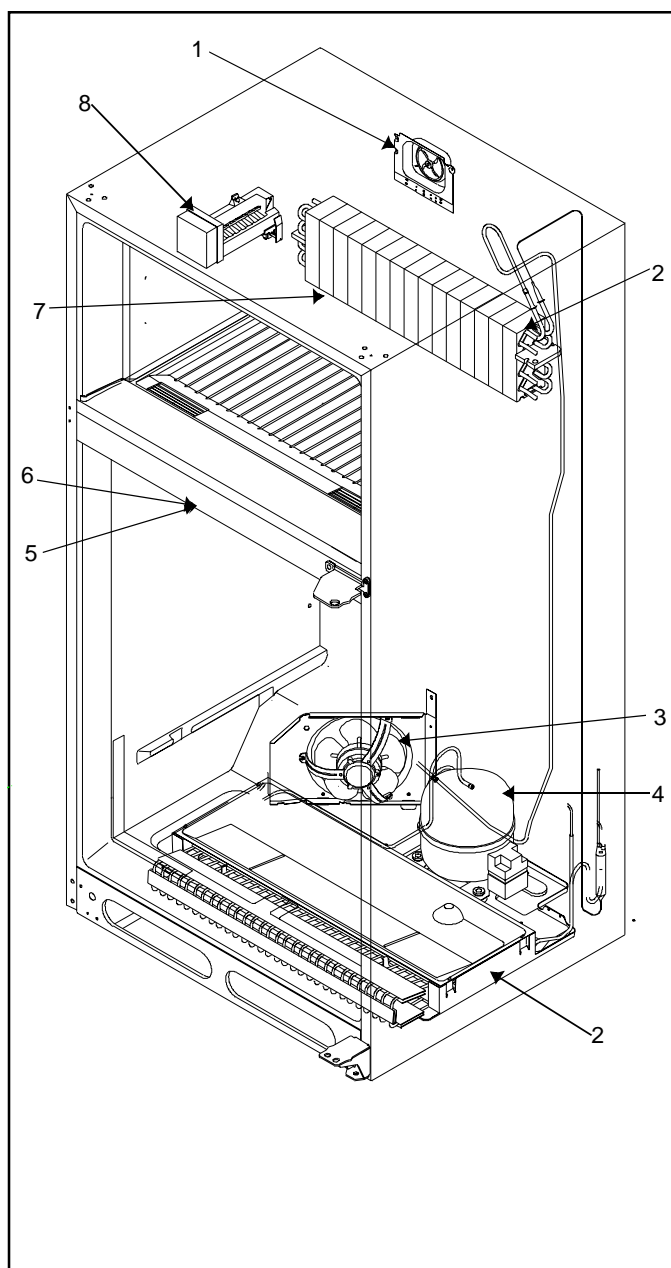
Ruidos del funcionamiento normal

Es posible que este refrigerador nuevo esté reemplazando a uno de diferente diseño, menos eficiente o más pequeño. Los refrigeradores actuales tienen características nuevas y un mejor rendimiento de energía. Como resultado de esto, ciertos ruidos pueden parecer poco comunes. Estos ruidos son normales y pronto le serán familiares. Estos ruidos indican también que el refrigerador está funcionando y rindiendo según su diseño.

1. **Control del Congelador.** El control del congelador hace un clic al arrancar o detenerse el compresor.
2. **Ventilador del Congelador.** El aire del ventilador del congelador se acelera y zumba.
3. **Sistema sellado (evaporador e intercambiador de calor).** El flujo del refrigerante del sistema sellado gorgojea, cruje o suena como agua hirviendo.
4. **Calentador de descarchado.** El calentador de descarchado hace chirridos, silba o cruje.
5. **Cronómetro de descarchado.** Suena como un reloj eléctrico cuando entra y sale del ciclo de descarchado.
6. **Ventilador del condensador.** El aire del ventilador del condensador se acelera y zumba.
7. **Compresor.** El compresor tiene un sonido de tarareo o pulsante.
8. **Cubos de hielo.** Los cubos de hielo de la máquina para hacer hielo (en algunos modelos) caen al recipiente.

Conexión de la válvula de agua de la máquina para hacer hielo. Esta conexión (en algunos modelos) zumba cuando la máquina para hacer hielo se llena con agua. Esto ocurre independientemente de que el refrigerador esté o no esté conectado al suministro de agua. Si no está conectado, anule el ruido colocando el brazo de la máquina para hacer hielo en la posición *desactivada (off)*.

El aislamiento de espuma tiene muy buen rendimiento de energía y excelente capacidad aislante. Sin embargo, no absorbe el ruido tanto como el aislamiento de fibra de vidrio que se usaba anteriormente.



Antes de llamar para solicitar servicio

El refrigerador no funciona.

- Verifique que el control del congelador esté en la posición on (encendida).
- Verifique que el refrigerador esté enchufado.
- Revise el fusible o el cortacircuitos. Enchufe otro aparato en el tomacorriente de la pared.
- Espere 40 minutos para ver si el refrigerador comienza a funcionar. Si el control congelador está encendido y las luces funcionan pero los dos ventiladores y el compresor no están funcionando, el refrigerador podría estar en el ciclo de descarchado.

El refrigerador aún no funciona.

- Desenchufe el refrigerador. Cambie los alimentos a otro refrigerador o coloque hielo seco en la sección congelador para conservar los alimentos. **La garantía no cubre pérdida de alimentos.** Revise el certificado de garantía para la cobertura específica.
- Llame al **1-800-628-5782** dentro de los EE.UU., y al **1-319-622-5511** fuera de los EE.UU., para localizar un técnico Amana autorizado.

La temperatura de los alimentos está muy tibia.

- Vea las secciones anteriores.
- Deje pasar algo de tiempo para que los alimentos tibios recién guardados alcancen la temperatura Alimentos frescos o congelador.
- Revise que los empaques estén sellando de forma correcta.
- Limpie los serpentines del condensador.
- Ajuste el control Alimentos frescos y/o congelador.
- Asegúrese que la parrilla de aire posterior no esté obstruida. Ésta se encuentra ubicada detrás del cajón izquierdo para verduras fresh garden.

La temperatura del sistema Chiller Fresh™ está muy tibia.

- Gire el control Chiller Fresh™ a un ajuste más frío.
- Ajuste el control del congelador a una posición de ajuste más fría.

La temperatura de los alimentos está muy fría.

- Limpie los serpentines del condensador.
- Ajuste el control del refrigerador.
- Ajuste el control congelador a una posición de ajuste más tibia. Deje que pasen varias horas para que la temperatura se ajuste.

El refrigerador funciona con mucha frecuencia.

- Puede ser normal para mantener una temperatura constante.
- Puede ser que las puertas se hayan abierto frecuentemente o por mucho tiempo.
- Ajuste el control congelador.
- Revise los empaques para verificar que sellen de modo apropiado.

- Deje que pase algo de tiempo para que los alimentos tibios recién guardados alcancen la temperatura Alimentos frescos o congelador.
- Limpie los serpentines del condensador.

El refrigerador funciona con mucha frecuencia.

- Puede ser normal para mantener una temperatura constante.
- Puede ser que las puertas se hayan abierto frecuentemente o por mucho tiempo.
- Deje que pase algo de tiempo para que los alimentos tibios recién guardados alcancen la temperatura Alimentos frescos o congelador.
- Limpie los serpentines del condensador.
- Ajuste el control congelador.
- Revise los empaques para verificar que sellen de modo apropiado.

Se forman gotitas de agua en el interior del refrigerador.

- Es normal durante períodos de humedad alta o si las puertas se han abierto frecuentemente.

Se forman gotitas de agua en el exterior del refrigerador.

- Revise los empaques de las puertas para verificar que sellen de modo apropiado.
- Encienda el interruptor del control de humedad exterior.

Los cajones para verduras Garden Fresh™ o el sistema de enfriamiento Chiller Fresh™ no se cierra libremente.

- Revise si hay algún paquete impidiendo que el cajón cierre apropiadamente.
- Verifique que el cajón esté en la posición correcta.
- Limpie los canales del cajón con agua tibia y jabonosa. Enjuáguelo y séquelo completamente.
- Aplique una capa fina de vaselina en los canales del cajón.
- Verifique que el refrigerador esté nivelado.

El refrigerador tiene mal olor.

- Vea las instrucciones en *Eliminación de olores* en la sección *Cuidado y mantenimiento*.

El refrigerador o el surtidor de hielo hacen ruidos extraños o que parecen muy fuertes.

- Puede ser normal. Vea la sección *Sonidos normales de funcionamiento*.

La máquina de hielo automática no hace hielo.

- Verifique que el brazo de la máquina esté bajado.
- Verifique que el suministro de agua de la casa esté

llegando a la válvula de agua.

- Verifique que el cableado preformado de la máquina de hielo esté completamente insertado en los orificios apropiados.
- Revise si hay dobleces en las tuberías de cobre o de plástico. Quite los dobleces o reemplace la tubería.
- Revise las conexiones eléctricas al bloque conector y al serpentín de la válvula del agua en el gabinete del refrigerador.
- Verifique que la sección Deepfreeze® esté funcionando a la temperatura apropiada.

Los hielos tienen mal olor.

- Vea las instrucciones *Eliminación de olores* en la sección *Cuidado y mantenimiento*.
- Deseche los hielos y limpie el depósito o las bandejas de hielo más frecuentemente. Los hielos son porosos y absorben olores fácilmente.

Los cubos de hielo se pegan o se “encogen”.

- Vacíe el depósito o las bandejas de hielo más frecuentemente. Si no se usan seguido, los cubos de hielo se pueden pegar o encoger.

Se forma hielo en el tubo de entrada a la máquina de hielo.

- Revise la presión del agua. La presión de agua baja causará que la válvula gotee. Las válvulas auto perforantes causan presión baja de agua. **Amana recomienda usar una válvula de sillín. Comuníquese al 1-800-843-0304 o con un distribuidor de Amana para saber sobre la disponibilidad. No use válvulas auto perforantes. Amana no es responsable por daños materiales causados por la instalación incorrecta de la conexión de agua.**

Garantía

Garantía completa de un año Garantía completa de cinco años en los componentes del sistema sellado y en el revestimiento del compartimiento de los alimentos

Primer año

Amana Appliances reparará o reemplazará sin cargo alguno, cualquier pieza que esté defectuosa debido a la mano de obra o a los materiales.

Del segundo al quinto año

Amana Appliances reemplazará, sin cargo alguno, cualquier componente del sistema sellado (compresor, condensador, evaporador y la tubería de interconexión) y reparará cualquier revestimiento del compartimiento de los alimentos (excluyendo el revestimiento de la puerta) que esté defectuoso debido a la mano de obra o a los materiales.

Limitaciones de la garantía

- Comienza a partir de la fecha de la compra original.
- Se aplica a productos que se van a usar dentro de los Estados Unidos o en Canadá, si el producto viene de la fábrica con la aprobación de la Asociación de Normas Canadienses.
- El servicio debe realizarlo un técnico de Amana® **autorizado**.

La garantía se anulará si:

- La placa del número de serie está borrosa o ilegible.
- Se le ha dado uso comercial al producto, se ha rentado o alquilado.
- El producto tiene algún defecto o daño debido a un accidente, alteración, conexión eléctrica incorrecta, incendio, inundación, relámpagos, envío o manejo del producto, u otras condiciones fuera del control de Amana Refrigeration, Inc.
- El producto ha sido instalado o usado incorrectamente.

Responsabilidades del propietario

- Proporcionar evidencia de compra (recibo).
- Proporcionar cuidado y mantenimiento normales. Reemplazar los artículos reemplazables por el propietario de acuerdo con las instrucciones que aparecen en el Manual del propietario.
- Permitir que el producto sea razonablemente accesible por el personal de servicio.
- Pagar una compensación de los gastos de servicio por los servicios prestados por el técnico fuera de su horario habitual de trabajo.
- Pagar por las llamadas para solicitar servicio relacionado con la instalación del producto.

En ningún caso Amana Appliances se hará responsable de daños incidentales o emergentes, incluyendo la pérdida de alimentos*

*Esta garantía otorga derechos legales específicos y puede ser que existan otros derechos que difieren de un estado a otro. Por ejemplo, algunos estados no permiten la exclusión o limitación de los daños incidentales o emergentes, por lo tanto, es posible que esta exclusión no le afecte a usted.

Table des Matières

Pièces et accessoires	33
Normes électriques	33
Identification du modèle	33
Service après-vente	34
Plan de service après-vente prolongé Asure MC	34
Mise au rebut de réfrigérateur	34
Consignes de mise en service	34
Espace nécessaire	34
Mise à niveau du réfrigérateur	34
Inversion des portes	35
Raccordement de l'appareil à glace à l'alimentation en eau (certains modèles)	37
Liste de contrôle d'installation	38
Commandes	39
Commandes congélateur et Aliments frais	39
Réglage des commandes	39
Contrôle de l'humidité extérieure	39
Caractéristiques Aliments frais	39
Clayettes Aliments frais	39
Système Chiller Fresh™ (certains modèles)	40
Bacs à légumes Garden Fresh™ (certains modèles)	40
Bac utilitaire avec couvercle (certains modèles)	41
Casier laitier (certains modèles)	41
Compartiments de porte	41
Clayettes de porte	41
Caractéristiques congélateur	42
Machine à glaçons automatique (certains modèles) 42	
Étagère métallique	42
Grille utilitaire réversible	42
Conteneur de grands emballages (certains modèles)	43
Entretien et nettoyage	43
Général	43
Suppression des odeurs	43
Adhésifs	43
Joints de porte	43
Bobine de condensateur	43
Clayettes en verre	44
Ampoules électriques	44
Conseils pour économiser l'énergie	45
Conseils pour les vacances	45
Bruits de fonctionnement normaux	46
Avant d'appeler le technicien	47
Garantie	48

Pièces et accessoires

Des pièces de rechange et accessoires supplémentaires (ex., clayettes de réfrigérateur, égouttoirs ou modules de plaque de cuisson) peuvent être commandés par téléphone. Pour obtenir un accessoire Amana, appeler le 1-800-843-0304 depuis les États-Unis et le 1-319-622-5511 de l'étranger.

Normes électriques



Ce symbole indique une mesure de sécurité



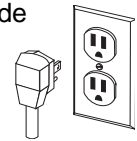
MISE EN GARDE

Ne jamais couper ou enlever la broche ronde de mise à la terre de la fiche. Le réfrigérateur doit être mis à la terre en tout temps. Ne jamais enlever l'étiquette d'avertissement du cordon d'alimentation.

Ne jamais utiliser d'adaptateur à deux broches. Ne jamais utiliser de rallonge.

Instructions de mise à la terre - Ce réfrigérateur est muni d'une fiche à 3 broches pour prévenir le risque d'électrocution. Si une prise de courant à deux broches est présente, contacter un électricien qualifié et la faire remplacer par une prise de courant à trois broches correctement mise à la terre, conformément aux normes du Code national de l'électricité.

Le réfrigérateur est conçu pour fonctionner sur une ligne séparée de 60 Hz, 15 ampères, de 103 à 126 volts.



Identification du modèle

Merci d'avoir fait l'achat d'un réfrigérateur Amana®. Veuillez lire attentivement le manuel du propriétaire. Ce manuel renferme des renseignements sur l'entretien de l'appareil. Pour toute question, appeler le service à la clientèle au **1-800-843-0304** aux États-Unis et le **1-319-622-5511** de l'extérieur des États-Unis.

Remplir la carte d'enregistrement et la renvoyer promptement. S'il n'y a pas de carte d'enregistrement, appeler le service à la clientèle.

Lorsque vous communiquez avec Amana Appliances, veuillez fournir les renseignements concernant l'appareil. Ces renseignements apparaissent sur la plaque du numéro de série située dans le coin gauche supérieur du compartiment Aliments frais. Veuillez noter les renseignements suivants :

Numéro de modèle : _____

Numéro de fabrication : _____

Numéro de série : _____

Date d'achat : _____

Nom et adresse du marchand : _____

Service après-vente

Garder une copie de la facture pour référence ultérieure ou en cas d'utilisation de la garantie. Pour toutes questions ou pour localiser un réparateur agréé, appeler le 1-800-NAT-LSVC (1-800-628-5782) pour les États-Unis ou le 1-319-622-5511 hors des États-Unis. Toute prestation de garantie doit être effectuée par un réparateur agréé. Amana recommande également de contacter un réparateur agréé même lorsque la garantie vient à expiration.

Plan de service après-vente prolongé Asure MC

Amana offre un plan de protection à long terme pour cette cuisinière. Le plan de service après-vente prolongé Asure MC a été créé pour compléter la solide garantie qui couvre votre appareil. Le plan couvre les pièces détachées, la main-d'oeuvre et les frais de transport. Appeler le 1-800-528-2682 pour obtenir tous

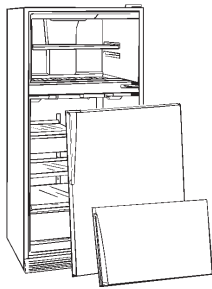
DANGER

Mise au rebut du réfrigérateur

IMPORTANT : Les enfants qui se trouvent enfermés dans un réfrigérateur et y meurent d'asphyxie ne sont pas un problème du passé. Les réfrigérateurs mis au rebut ou abandonnés sont encore dangereux, même s'ils ne sont là que "pour quelques jours". Lors de la mise au rebut d'un réfrigérateur, veiller à suivre les indications ci-dessous pour éviter les accidents.

AVANT DE JETER VOTRE VIEUX RÉFRIGÉRATEUR OU CONGÉLATEUR :

- Enlever les portes.
- Laisser les étagères en place de façon à ce que les enfants aient des difficultés à se glisser à l'intérieur.



Consignes de mise en service

Une mise en service correctement effectuée assure le fonctionnement efficace du réfrigérateur.

Espace nécessaire

DANGER

Conserver toutes matières ou vapeurs inflammables telles que l'essence à distance sûre du réfrigérateur. Le non respect de cette consigne risque d'entraîner une explosion, un incendie, des brûlures, voire la mort.

- Laisser un espace de 1 po (2,5 cm) au haut du réfrigérateur pour assurer un apport d'air suffisant.
- Si le réfrigérateur est équipé d'un appareil à glaçons, veiller à laisser suffisamment d'espace à l'arrière pour le raccordement à l'alimentation en eau. S'il n'est pas équipé d'appareil à glaçons, il peut toucher le mur arrière.
- Si le réfrigérateur est placé près d'un mur ou d'une cloison, laisser un minimum de 2 1/2 po (64 mm) de chaque côté (en fonction du modèle) pour permettre l'ouverture de la porte à 90°.

REMARQUE : Ne pas placer le réfrigérateur près d'un four, d'un radiateur ou d'une autre source de chaleur ni dans un endroit où la température risque de tomber au-dessous de 55 °F (13 °C).

Mise à niveau du réfrigérateur

DANGER

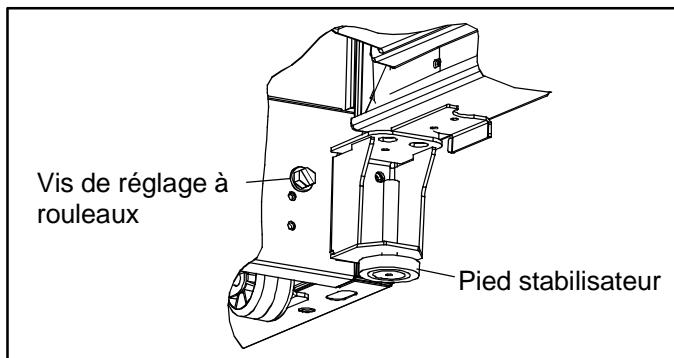
Pour éviter tout dommage matériel lors du déplacement du réfrigérateur, utiliser du carton, de la moquette ou toute autre protection afin de préserver tout revêtement de sol en vinyle souple ou autre. S'assurer que le pied stabilisateur est soulevé lors du déplacement de l'appareil. S'il ne l'est pas, il suffit de le tourner dans le sens contraire des aiguilles d'une montre.

Dans certains cas, la porte doit être inversée pour permettre son ouverture complète. Si c'est le cas, passer à la partie "Inversion des portes" avant de mettre le réfrigérateur de niveau.

Si le réfrigérateur doit être raccordé à l'alimentation en eau, passer à la partie "Raccordement de l'appareil à glaçons", page 47, avant de mettre le réfrigérateur de niveau.

1. Brancher le réfrigérateur.
 2. Le mettre à son emplacement final.
 3. Pour mettre le réfrigérateur à plat, placer un niveau sur le dessus de l'appareil et procéder de la manière suivante :
- Enlever la grille de ventilation. Enlever le couvercle inférieur si le réfrigérateur est doté d'un pied stabilisateur.

- Tourner les vis de réglage du rouleau à tête hexagonale de $\frac{3}{8}$ po pour élever ou abaisser le coffrage du réfrigérateur. L'avant du réfrigérateur doit être $\frac{1}{4}$ po (6 mm), ou $\frac{1}{2}$ bulle sur le niveau, plus élevé que l'arrière.
- S'assurer que le réfrigérateur est de niveau sur le plan latéral en réglant les vis à rouleaux gauche et droite. Tourner le pied stabilisateur (sur certains modèles) dans le sens des aiguilles d'une montre jusqu'à ce qu'il repose fermement sur le plancher.



Inversion des portes



Pour éviter toute décharge électrique susceptible de causer des blessures graves ou mortelles, débrancher l'alimentation du réfrigérateur avant de retirer les portes. Rebrancher l'appareil une fois que les portes ont été remises en place.

Outils nécessaires

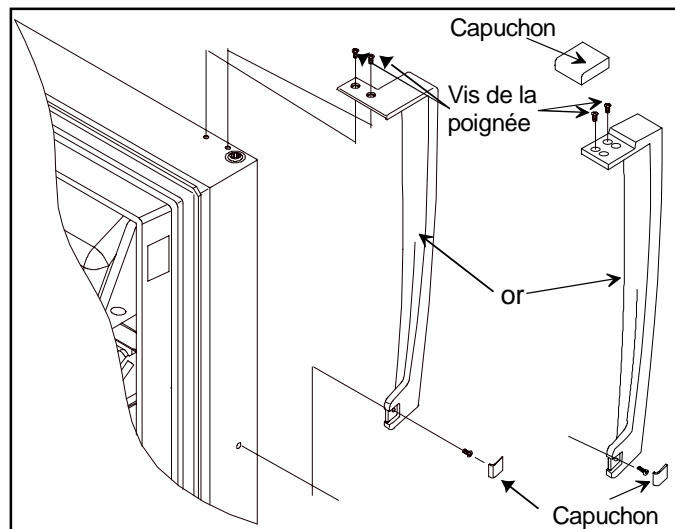
Couteau à mastic (lame recouverte de ruban-masque)
 Tourne-écrou de $\frac{5}{16}$ po (8 mm)
 Tourne-écrou de $\frac{3}{8}$ po (16 mm)
 Tournevis cruciforme
 Tournevis à lame plate

Dans certains cas, la porte doit être inversée pour permettre son ouverture complète. Pour inverser les portes, procéder comme suit :

1. Retirer et inverser les poignées du réfrigérateur et du congélateur en procédant comme suit :

IMPORTANT : Lorsque le retrait du bouchon nécessite l'utilisation d'un tournevis à lame plate ou un couteau de vitrier, la lame de l'outil doit être recouverte de ruban-cache adhésif pour ne pas endommager la finition du réfrigérateur. Pour les bouchons utilisant une tête de type tournevis, utiliser le tournevis approprié pour éviter d'endommager les bouchons.

- Retirer les capuchons d'extrémité du dessus (certains modèles) et du dessous du réfrigérateur avec un tournevis à lame plate entourée de ruban-cache. Retirer les deux vis du dessus de la poignée et vissez à partir de la base de la poignée.

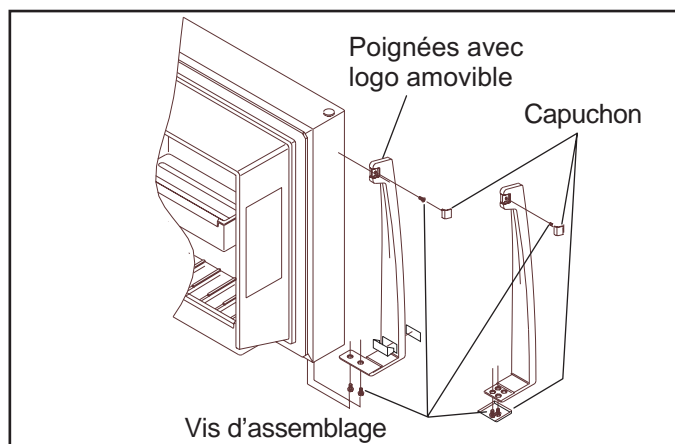


• Modèles avec logo réversible automatiquement.

Retirer le capuchon de l'extrémité du dessus de la poignée du congélateur à l'aide d'un tournevis avec lame recouverte de ruban-cache adhésif (voir l'illustration ci-dessous). Retirer une vis de montage sur le dessus et deux autres sur le dessous.

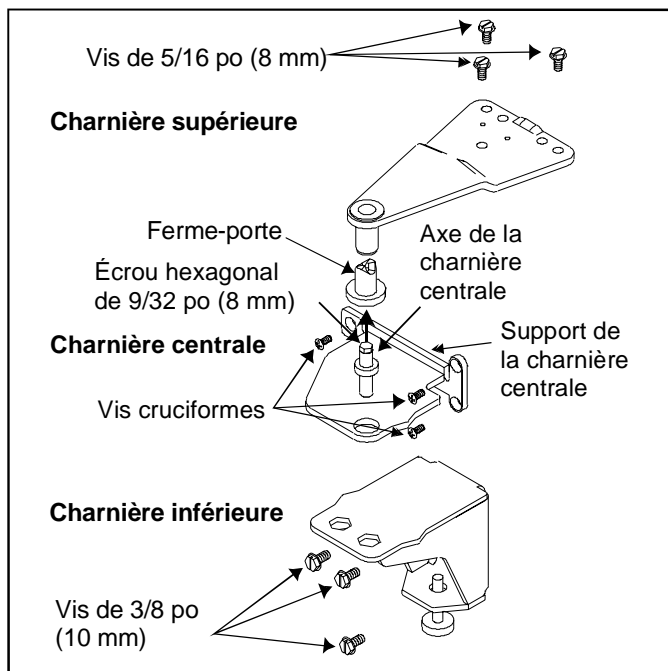
• Poignées avec logo amovible.

Retirer les capuchons des vis des poignées à l'aide d'un tournevis avec lame recouverte de ruban-cache adhésif. Retirer les vis des poignées pour enlever la poignée du congélateur. Retirer le couvercle de la poignée du congélateur en soulevant l'extrémité. Plier les attaches derrière la plaque du fabricant et retirer celle-ci. Faire tourner la plaque du fabricant et le couvercle.



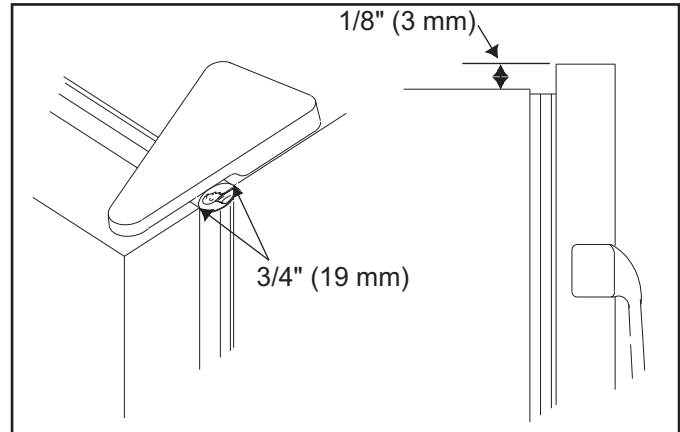
2. Enlever le couvre-charnière supérieur qui se détache simplement. À l'aide du tourne-écrou, retirer la charnière supérieure et sa cale.
3. Soulever la porte du congélateur de la charnière centrale.
4. Enlever le ferme-porte de l'axe de la charnière centrale et retirer cette dernière. Retirer l'axe de la charnière centrale à l'aide d'un tournevis à tête hexagonale de $\frac{5}{16}$ po ou de $\frac{9}{32}$ po.

5. Enlever la porte du réfrigérateur en la soulevant de la charnière inférieure.
6. Enlever le support de la charnière centrale et sa cale à l'aide du tournevis cruciforme.
7. Enlever la grille de ventilation et le couvre-charnière inférieur. Ils se détachent facilement.
8. Enlever la charnière inférieure et sa cale à l'aide du tourne-écrou.

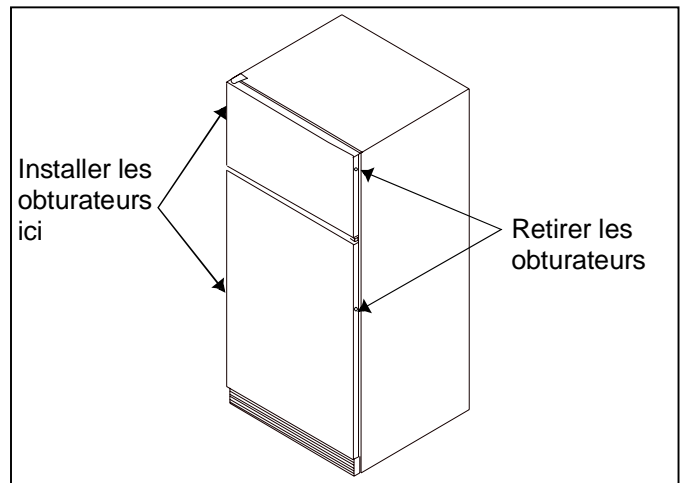


9. Inverser les portes en procédant comme suit :
 - Replacer la charnière inférieure et la cale du côté opposé au coffrage.
 - Retirer les bouchons du meneau central. Placer les bouchons dans les trous qui sont restés lorsque le support de la charnière centrale a été retiré. Faire tourner le support de charnière centrale d'un demi-tour et le poser du côté opposé au coffrage à l'aide des vis à charnière. Réutiliser les rondelles des axes de charnière en plastique.
 - Placer la porte du réfrigérateur sur la charnière inférieure. Poser l'axe de la charnière centrale dans le support de la charnière centrale. Poser le dispositif de fermeture de la porte sur l'axe de la charnière centrale.
 - Retirer les bouchons du dessus du coffrage du réfrigérateur. Replacer les bouchons dans les trous qui sont restés lorsque la charnière supérieure a été retirée. Enlever le couvercle du trou de la charnière de la porte du congélateur. Le replacer du côté opposé de la porte du congélateur.
 - Placer la porte du congélateur sur la charnière centrale et le dispositif de fermeture de la porte. Poser la charnière supérieure et les cales du côté opposé du coffrage à l'aide d'un tournevis à tête hexagonale. Enclencher le couvercle de la charnière sur celle-ci.

- Utiliser une pièce d'un sou sur le dessus pour créer un espace de $\frac{3}{4}$ po (19 mm) entre la porte et le coffrage. Le côté de la porte où se situe la poignée doit être $\frac{1}{8}$ po (3 mm) plus élevé que le côté de la charnière avant de serrer les vis de la charnière supérieure.



10. À l'aide d'un couteau à mastic dont la lame a été recouverte de ruban-masque, retirer les obturateurs du côté sans charnière des portes du réfrigérateur et du congélateur.



11. Monter la poignée du congélateur de l'autre côté de la porte du réfrigérateur à l'aide des vis de montage retirées précédemment. Enclencher le capuchon pour le remettre en place.
12. Monter la poignée du réfrigérateur de l'autre côté de la porte du congélateur à l'aide des vis de montage retirées précédemment. Enclencher le capuchon pour le remettre en place.
13. Replacer les obturateurs dans les orifices de montage vides sur la porte du réfrigérateur et du congélateur.
14. Passer aux procédures de *Mise à niveau du réfrigérateur* pour la pose finale.

Raccordement de l'appareil à glace à l'alimentation en eau (certains modèles)

ATTENTION

Pour éviter tout dommage matériel lors du déplacement du réfrigérateur, utiliser du carton, de la moquette ou tout autre protection afin de préserver tout revêtement de sol en vinyle souple ou autre. S'assurer que le pied stabilisateur est soulevé lors du déplacement de l'appareil. S'il ne l'est pas, il suffit de le faire tourner dans le sens contraire des aiguilles d'une montre.

ATTENTION

Observer les consignes suivantes pour éviter tout dommage matériel :

- S'assurer que la pression de l'eau à l'électrovanne est bien entre 20 et 120 livres par pouce carré (138 et 690 kPa).
- Serrer les raccords et les écrous à l'aide de pinces et de clés. Ne pas trop serrer.
- Vérifier qu'il n'y a pas de fuites et les réparer s'il y a lieu avant de mettre le réfrigérateur à son emplacement final. Procéder à une nouvelle vérification 24 heures après le raccordement.

Important

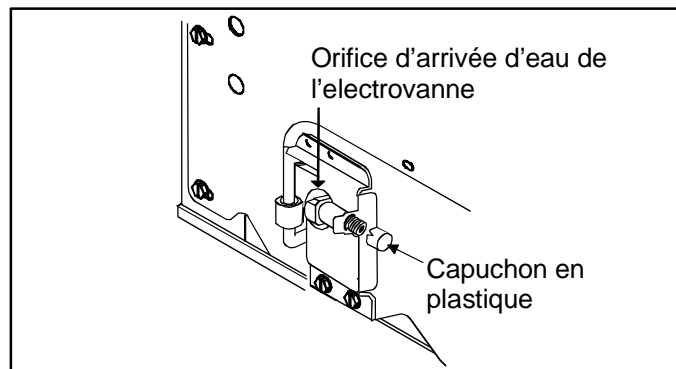
- Avant d'effectuer le raccordement à l'alimentation en eau, contacter un plombier pour raccorder la conduite en cuivre à l'arrivée d'eau de la maison conformément aux codes et règlements locaux.
- NE PAS utiliser de robinet à étrier de $\frac{3}{16}$ po (5 mm) ni de robinet auto-taraudeur. L'un comme l'autre réduisent le débit d'eau, se bouchent au fil des années et peuvent provoquer des fuites lorsqu'on essaie de les réparer. Pour convenir, un robinet d'arrêt exige le percement d'un trou de $\frac{1}{4}$ po (6 mm) dans la conduite d'alimentation en eau avant d'y fixer le robinet.

Matériel nécessaire

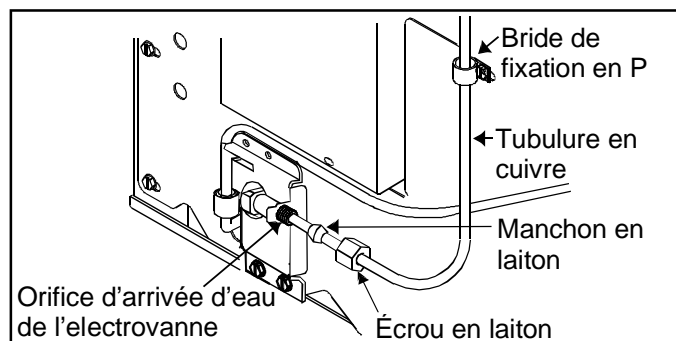
Une tubulure flexible en cuivre de diamètre externe de $\frac{1}{4}$ po (6 mm) est nécessaire. La longueur de la conduite doit être suffisante pour couvrir la distance entre l'arrivée d'eau de l'électrovanne et le point de raccordement à l'alimentation en eau à l'arrière du réfrigérateur, additionnée de 8 pi (2 mm) pour former une boucle permettant le déplacement de celui-ci sans avoir à désolidariser la conduite.

Marche à suivre

1. Enlever le capuchon en plastique de l'orifice d'arrivée d'eau de l'électrovanne.



2. Mettre l'écrou et le manchon en laiton sur la tubulure en cuivre. (Ceux-ci se trouvent dans le paquet d'imprimés.) Insérer la tubulure en cuivre dans l'orifice d'arrivée d'eau de l'électrovanne. Raccorder l'écrou en laiton qui se trouve sur la tubulure en cuivre à l'orifice d'arrivée d'eau de l'électrovanne. Veiller à ce que la tubulure soit bien en place en tirant dessus.



3. Faire une boucle de service en veillant soigneusement à éviter de plier la tubulure. Fixer la tubulure sur le réfrigérateur à l'aide de la bride de fixation en P.
4. Ouvrir l'alimentation en eau du réfrigérateur et vérifier qu'il n'y a pas de fuites. Réparer toute fuite au niveau du raccordement. Veiller à ne pas trop serrer l'écrou.
5. Mettre le réfrigérateur à niveau en suivant les instructions fournies à la page 45 lors de l'installation finale.

Liste de contrôle d'installation

Cette liste de contrôle d'installation est présentée pour usage personnel seulement.

Client Installateur

Portes

- Les poignées sont solidement fixées aux portes.
- Le côté de la poignée de porte est $\frac{1}{8}$ po (3 mm) plus élevé que le côté de la charnière de la porte. (La porte s'abaisse lorsqu'elle est remplie de nourriture.)
- Les portes sont bien scellées au meuble du réfrigérateur.

Mise à niveau

- Le réfrigérateur est incliné de $\frac{1}{4}$ " (6 mm) de l'avant vers l'arrière.
- La grille est bien fixée au réfrigérateur.

Appareil à glaçons

- L'alimentation en eau du réfrigérateur fonctionne.
- Aucune fuite n'est présente dans le raccord entre l'alimentation en eau de la maison et le réfrigérateur. (Après 24 heures, le propriétaire doit vérifier qu'il n'y a pas de fuite dans le raccord.)
- Le bras de l'appareil à glaçons est en position « on » (marche). Celui-ci est donc prêt à fabriquer des glaçons. (La fabrication du premier lot de glace peut prendre jusqu'à 24 heures.)

Documentation concernant le produit

- Le manuel du propriétaire doit comprendre les renseignements suivants :
- carte d'enregistrement de l'appareil
 - commandes Aliments frais et congelateur
 - système Chiller Fresh™
 - bacs à légumes Garden Fresh™
 - bruits de fonctionnement normaux

Notes _____

Signature du client

Signature de l'installateur

Nom de l'entreprise de l'installateur/
Numéro de téléphone

Date

Caractéristiques Aliments frais

Commandes

Ce réfrigérateur fonctionne de façon plus efficace lorsque la température ambiante se situe entre 55° et 110 °F (13 °C à 43 °C).

Commandes congélateur et Aliments frais

Les commandes du réfrigérateur et du congélateur sont situées sur la cloison centrale séparant ces deux parties.

Lorsque la commande congélateur est en position OFF (ARRÊT), ni l'un ni l'autre des compartiments Aliments frais ou congélateur ne refroidiront. Lorsque la commande congélateur est en position OFF (ARRÊT), ni l'un ni l'autre des compartiments Aliments frais ou congélateur ne refroidiront. Au départ, régler ces deux commandes sur 4. Attendre 24 heures avant que les compartiments Aliments frais et congélateur n'aient atteint les températures désirées. Après 24 heures, régler les commandes sur les valeurs désirées, un chiffre à la fois. Le réglage le plus chaud est 1, tandis que 7 est le réglage le plus froid.


Réglage des commandes

Régler les commandes avec précision à l'aide d'un thermomètre domestique dont les températures se situent entre -5° et 50 °F (-21° et 10 °C).

Placer le thermomètre entre les emballages congelés dans le compartiment congélateur. Attendre 5 à 8 heures. Si la température congélateur ne se situe pas entre 0° et 2 °F (-17° et -16 °C), régler la commande, un chiffre à la fois. Vérifier de nouveau après 5 à 8 heures.

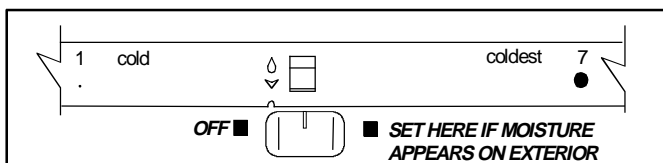
Placer le thermomètre dans un verre d'eau au milieu du compartiment Aliments frais. Attendre 5 à 8 heures. Si la température du compartiment Aliments frais ne se situe pas entre 38° et 40 °F (3° et 4 °C), régler la commande, un chiffre à la fois. Vérifier de nouveau après 5 à 8 heures.

Contrôle de l'humidité extérieure

Le contrôle de l'humidité extérieure  se situe sur le séparateur central entre les sections Aliments frais et congélateur.

Lorsque l'humidité atmosphérique est très élevée, de la condensation se forme autour des portes. Des appareils de chauffage spéciaux installés dans le réfrigérateur permettent de réduire cette condensation au minimum. Ce réfrigérateur est fabriqué en acier de haute qualité. Cependant, une exposition constante à l'humidité peut le faire rouiller.

Mettre cette fonction en marche si le réfrigérateur se trouve dans un endroit humide ou lorsque de l'humidité apparaît autour des portes. Régler la commande à OFF (arrêt) si le réfrigérateur se trouve dans un endroit moins humide. Sélectionner le réglage selon les variations de température.



ATTENTION

Pour éviter tous dégâts matériels, s'assurer que la clayette est bien installée avant de placer des articles sur celle-ci.

Clayettes Aliments frais

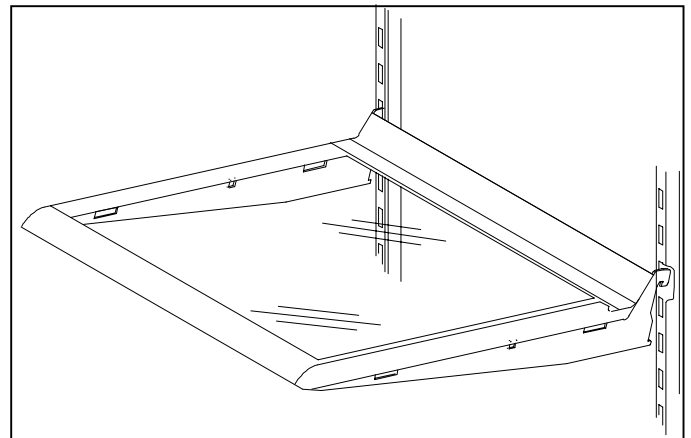
Les clayettes Aliments frais sont réglables afin de satisfaire aux besoins individuels de rangement. Certains modèles comprennent des clayettes Spillsaver™. Celles-ci retiennent de simples éclaboussures pour un nettoyage plus facile.



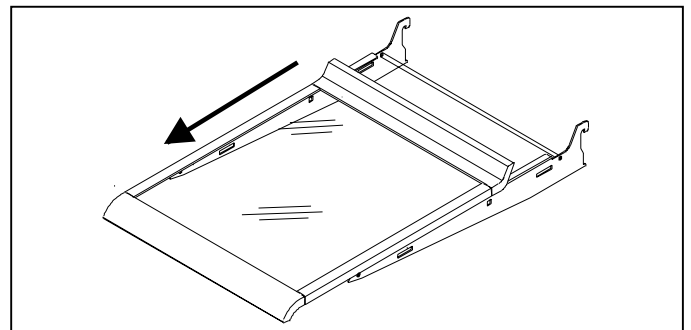
ATTENTION

Pour éviter tous dégâts matériels ou toutes blessures graves, manipuler les clayettes en verre trempé avec soin. Les clayettes peuvent se casser soudainement si elles sont entaillées, égratignées ou exposées à un changement soudain de température.

- Enlever les clayettes en soulevant le devant et en relâchant les crochets de la tringle en métal, puis en tirant.
- Replacer les clayettes en insérant les crochets dans la tringle en métal et en rabaisant le devant.



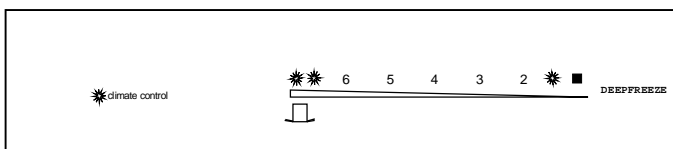
Les clayettes EasyGlide™ (certains modèles) se tirent vers l'avant pour permettre un accès facile aux articles rangés à l'arrière.



Système Chiller Fresh™ (certains modèles)

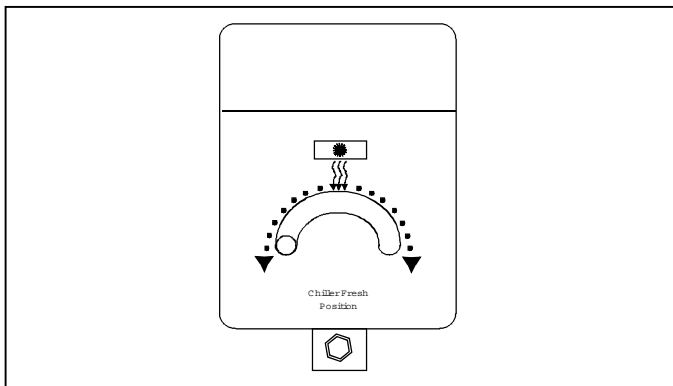
Le système Chiller Fresh™ comprend un tiroir à l'intérieur du manchon. L'air circule entre le tiroir et le compartiment. Ce système permet de conserver la fraîcheur des aliments plus longtemps et jusqu'à 5 °F (3 °C) plus froid que la température du compartiment Aliments frais.

La commande Chiller Fresh™ est située sous les moulures de la clayette avant. La commande permet de régler la quantité d'air circulant autour du tiroir. Mettre la commande sur « cold » (froid) pour obtenir la température normale du compartiment Aliments frais et sur « coldest » (plus froid) pour obtenir une température inférieure. Des cristaux de glace peuvent se former sur le tiroir ou la nourriture lorsque le réglage est sur « coldest ». L'air froid peut diminuer la température du compartiment Aliments frais. La commande Aliments frais doit possiblement être réglée.



- Retirez le tiroir en le soulevant et en tirant sur celui-ci. Retirez l'étagère en soulevant le devant de celle-ci, en dégageant les crochets des rails métalliques puis en tirant.
- Remplacez l'étagère en insérant les crochets dans les rails métalliques et en abaissant le devant. N'utilisez que les fentes 1 à 3 seulement. Remettez le tiroir en place en le faisant glisser vers l'avant.

Lors du déplacement du système Chiller Fresh™ vers la gauche ou la droite, déplacez le contrôle situé au centre du mur arrière de la section Aliments frais du même côté que le système.



Bacs à légumes Garden Fresh™

(certains modèles)

Les bacs à légumes Garden Fresh™ permettent de conserver la fraîcheur des aliments plus longtemps. Envelopper les aliments hermétiquement. Ne pas laver les aliments avant de les placer dans les bacs. L'humidité excessive peut gâter les aliments prématurément. Ne pas étendre d'essuie-tout dans les tiroirs, car ce type de papier retient l'humidité.

La commande du bac à légumes Garden Fresh™ est située sous les moulures avant. La commande règle le taux d'humidité du bac. La mettre sur « high » (élevé) pour les aliments feuillus tels que la laitue, les épinards ou le chou. La mettre sur « low » (faible) pour les aliments à peau tels que le chou-fleur, le maïs ou les tomates.

Enlever la clayette et les bacs à légumes Garden Fresh™ en procédant de la façon suivante :

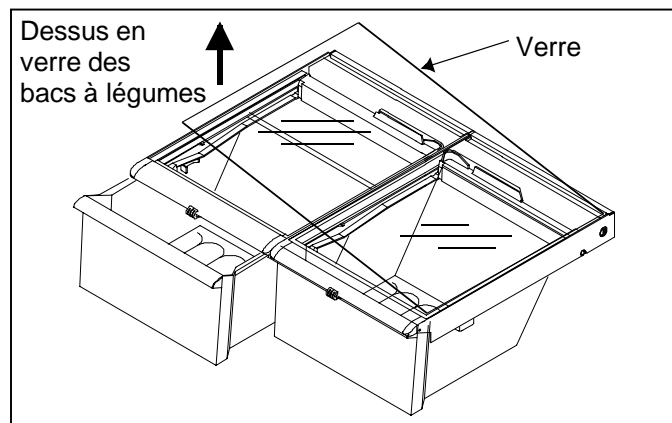
1. Ouvrir le bac à légumes situé à gauche*. *Dans le cas des portes dont les charnières sont à gauche, ouvrir le bac à légumes situé à droite.



ATTENTION

Pour éviter tous dégâts matériels ou toutes blessures, manipuler avec précaution les clayettes en verre trempé. Celles-ci peuvent se casser soudainement si elles sont ébréchées, égratignées ou exposées à des changements de température brusques.

2. Enlever le dessus en verre du bac à légumes en le poussant doucement par en dessous. Incliner une extrémité vers le haut et tirer.

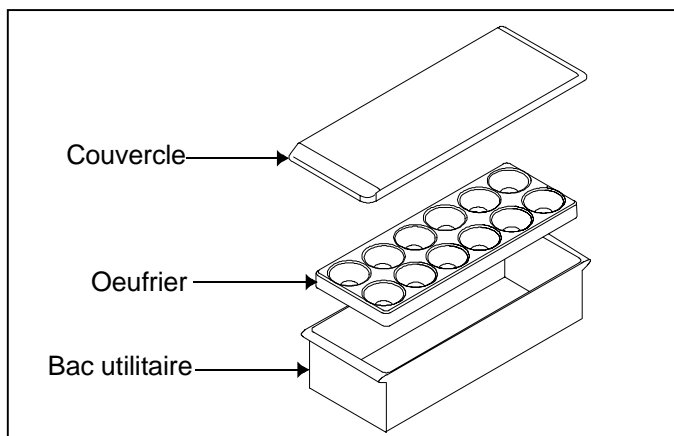


3. Enlever le cadre gauche* du bac à légumes en soulevant l'avant tout en soutenant le dessous et en tirant. *Lorsque les charnières des portes sont à gauche, enlever le bac à légumes situé à droite.
4. Enlever la barre de soutien dans l'embrasure de la partie inférieure centrale du compartiment Aliments frais.

5. Enlever l'autre bac à légumes en le faisant glisser vers le mur opposé. Soulever l'avant tout en soutenant le dessous et en tirant.
6. Replacer les bacs à légumes et la clayette en renversant les étapes 2 à 5.

Bac utilitaire avec couvercle (certains modèles)

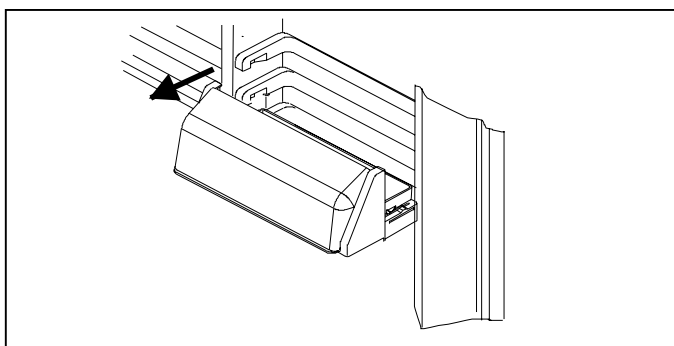
Le bac utilitaire comporte un couvercle et un oeufrier amovible. Lorsque l'oeufrier est retiré, le bac peut recevoir des articles tels que des cartons d'oeufs, des glaçons, etc.



Casier laitier (certains modèles)

Le casier laitier permet de ranger facilement des articles tels que le beurre, le fromage, etc.

- Retirer le casier laitier en soulevant la porte, en poussant les attaches vers le centre et en le tirant vers soi.
- Replacer le casier laitier en le faisant glisser jusqu'à ce que les attaches soient bien en place et en abaissant la porte.

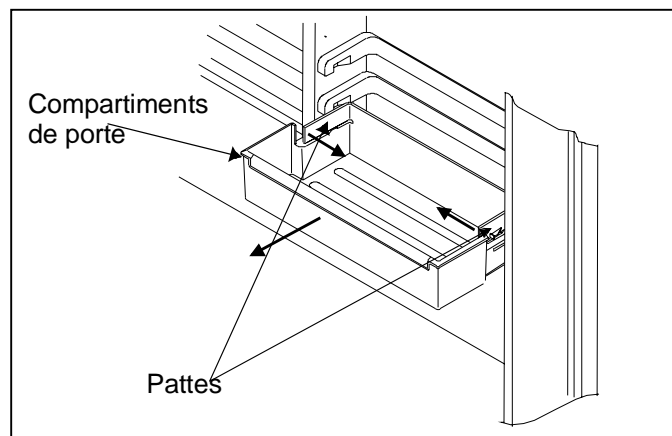


Compartiments de porte

Les compartiments de porte sont réglables pour satisfaire aux besoins individuels de rangement.

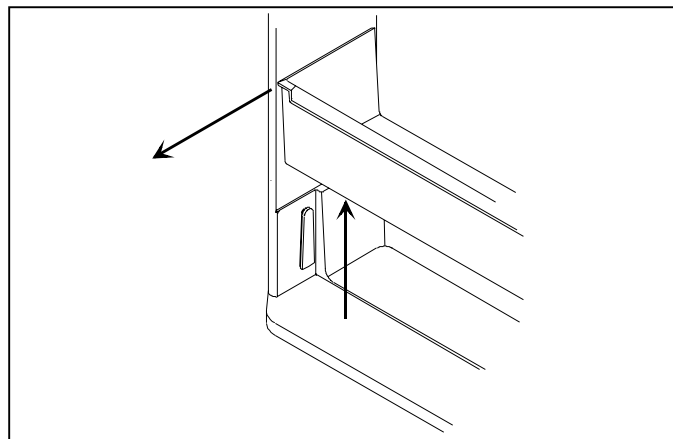
- Pour enlever les compartiments de porte, pousser les attaches vers le centre et tirer.

- Pour remettre les compartiments de porte en place, les glisser en place jusqu'à ce que les attaches soient bien en place.



Clayettes de porte

- Pour enlever les clayettes de porte, soulever les extrémités et les tirer vers soi.
- Pour remettre les clayettes de porte en place, faire glisser la clayette vers l'intérieur.



Caractéristiques congélateur



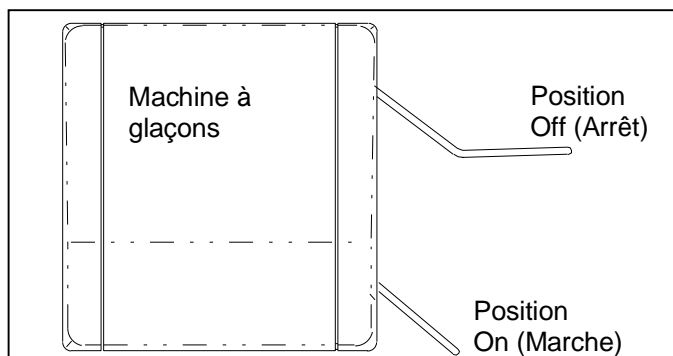
MISE EN GARDE

Pour éviter d'endommager l'appareil, assurez-vous que l'étagère est bien en place avant de placer des articles sur celle-ci.

Machine à glaçons automatique

(Certains modèles)

- Assurez-vous que le bac à glaçons est en place et que le bras de la machine à glaçons est orienté vers le bas.



- Lorsque la section congélateur atteint la température normale, la machine à glaçons se remplit d'eau et commence à fonctionner. Attendez 24 à 48 heures suivant l'installation avant la première récolte de glaçons. La machine à glaçons produit de 7 à 9 récoltes de glaçons dans une période de 24 heures dans des conditions idéales.
- Lorsque les glaçons sont formés, la machine à glaçons fait tomber les cubes de glace dans le bac à glaçons. Durant la production de glaçons, le bras de la machine se déplace vers le bas et vers le haut. Lorsque le bac est plein, le bras de la machine arrête celle-ci. Jetez les trois premières récoltes de glaçons suite au raccordement initial du réfrigérateur à l'approvisionnement en eau de la maison et suite à une période de non-utilisation prolongée.
- Arrêtez la production de glaçons en levant le bras de la machine à glaçons. Un clic se fait entendre lorsque la position correcte est atteinte. Le bras de la machine à glaçons demeure dans cette position jusqu'à ce qu'il soit poussé vers le bas.



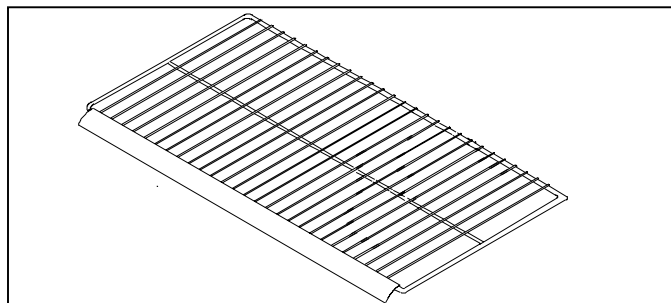
MISE EN GARDE

Pour éviter d'endommager la machine à glaçons, prenez les précautions suivantes:

- Ne forcez jamais le bras de la machine vers le haut ou vers le bas, au-delà de la position d'arrêt.
- Ne rien placer ou entreposer dans le bac à glaçons.

Étagère métallique

- Retirez l'étagère métallique en inclinant une extrémité vers le haut et en tirant.
- Remplacez l'étagère métallique en inclinant une extrémité vers le haut et en plaçant l'extrémité sur le rebord. Faites incliner l'autre extrémité vers le bas et placez sur le rebord.

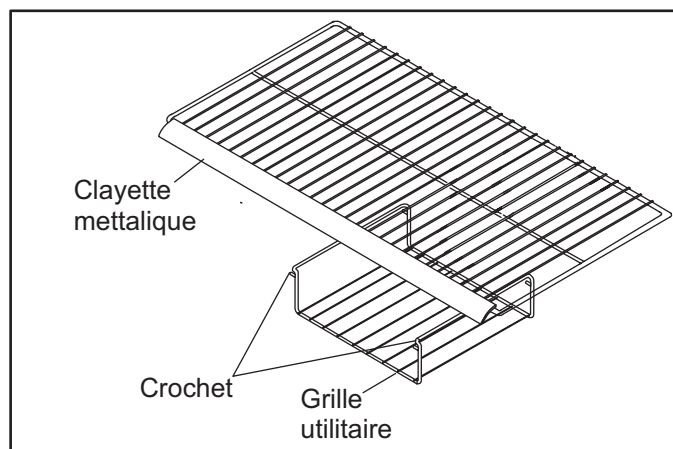


Grille utilitaire réversible

La grille utilitaire du congélateur procure plus d'espace de rangement pour les bacs à glaçons ou autres articles.

Pour retirer la grille, procéder comme suit :

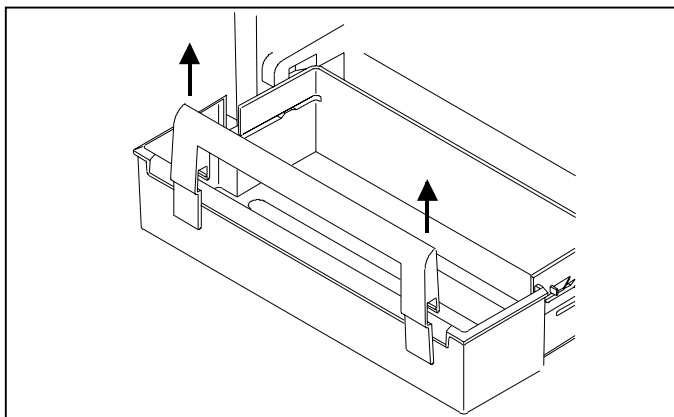
- Repérer le crochet de la grille utilitaire qui se trouve du côté opposé au joint à bille. En tenant fermement la grille métallique avec les deux mains, appuyer vers l'avant sur le crochet avec les pouces jusqu'à ce que la grille utilitaire se détache.
- Appliquer la même pression sur le crochet à bille jusqu'à ce que la grille se désenclenche.



Conteneur de grands emballages

(certains modèles)

Le conteneur de grands emballages permet de retenir solidement les grands articles. Il peut être installé dans tout compartiment ou clayette de porte.



Entretien et nettoyage



MISE EN GARDE

Pour éviter tout risque d'électrocution qui pourrait causer des blessures graves voire mortelles, débrancher le courant du réfrigérateur avant de procéder au nettoyage. Après le nettoyage, brancher de nouveau le courant.



ATTENTION

Pour éviter tous dégâts matériels ou toutes blessures corporelles, lire et suivre toutes les directives du fabricant des produits de nettoyage de l'appareil.

Général

- Nettoyer les surfaces avec 4 c. à table de bicarbonate de soude dissout dans un litre d'eau tiède et un linge doux et propre.
- Rincer les surfaces à l'eau tiède et les essuyer avec un linge doux et propre.
 - Ne pas utiliser les articles suivants :
 - produits nettoyants abrasifs ou décapants, ammoniacs, javellisants, etc.
 - détergents ou solvants concentrés
 - tampons à récurer métalliquesCes articles peuvent égratigner, craqueler ou décolorer les surfaces.
 - Ne pas placer les bacs, clayettes, etc. dans le lave-vaisselle

Suppression des odeurs

- Enlever toute la nourriture et débrancher le réfrigérateur.
- Nettoyer toutes les surfaces intérieures, notamment la partie supérieure, la partie inférieure et les parois conformément aux instructions « générales ». Porter une attention spéciale aux coins, fissures et rainures, de même qu'aux tiroirs, clayettes et joints.
- Nettoyer et essuyer toutes les bouteilles, tous les contenants et les pots avant de remettre la nourriture dans le réfrigérateur. Emballer la nourriture dans des récipients scellés hermétiquement afin de prévenir l'émanation d'odeurs. Après 24 heures, vérifier si l'odeur persiste toujours.

Si l'odeur persiste, procéder de la façon suivante:

- Recommencer les étapes 1 et 2.
- Placer les légumes croquants du jardin sur la clayette supérieure du compartiment Aliments frais. Recouvrir les compartiments Aliments frais et congélateur, notamment les portes, avec des feuilles de papier journal noir et blanc chiffonnées.
- Disposer les briquettes de charbon de bois un peu partout sur le papier journal.
- Fermer les portes et laisser en place durant 24 à 48 heures.
- Enlever les briquettes de charbon de bois et les journaux.
- Recommencer les étapes 2 et 3.

Contactez le service à la clientèle si l'odeur persiste toujours. Consultez la section "Identification du modèle" pour connaître le numéro de téléphone.

Adhésifs

- Enlever les résidus de colle en frottant l'adhésif avec du dentifrice jusqu'à ce que celui-ci se décolle.
- Rincer les surfaces à l'eau tiède. Essuyer la surface avec un linge doux et propre.

Joints de porte

- Nettoyer les joints de porte tous les 3 mois conformément aux instructions de la section "Général".
- Appliquer une mince couche de pétrolatum afin de maintenir la souplesse des joints.

Bobine de condensateur

Nettoyer la bobine de condensateur tous les 3 mois afin d'assurer un rendement maximum du réfrigérateur. La poussière accumulée et les peluches peuvent entraîner les problèmes suivants :

- refroidissement moins efficace
- consommation d'énergie plus élevée
- défaillance de pièce prématurée

1. Enlever la grille en tenant les extrémités et en tirant vers l'avant.
2. Nettoyer la surface avant de la bobine du condensateur avec le suceur d'un boyau d'aspirateur.
3. Replacer la grille en insérant les attaches dans les trous et en les mettant en place avec un claquement.

ATTENTION

Pour éviter tous dégâts matériels, recouvrir le plancher en vinyle mou ou tout autre type de plancher avec du carton, des tapis ou autre matériel de protection.

4. Soulever le pied de stabilisation (sur certains modèles) en le tournant dans le sens antihoraire.

Clayettes en verre

ATTENTION

Pour éviter tous dégâts matériels ou toutes blessures corporelles, manipuler les clayettes en verre trempé avec soin. Celles-ci peuvent casser soudainement si elles sont entaillées, égratignées ou exposées à un changement soudain de température.

Enlever la clayette en soulevant le devant, en relâchant les crochets de la tringle en métal, puis en tirant. Placer la clayette sur une serviette. La laisser s'adapter à la température ambiante avant de procéder au nettoyage.

Nettoyer les fentes en suivant ces étapes:

1. Diluer un détergent doux et appliquer la solution à l'intérieur des fentes en brossant celles-ci à l'aide d'une à poils en plastique. Laisser pénétrer durant 5 minutes.
2. Vaporiser de l'eau tiède à l'intérieur des fentes à l'aide d'un vaporisateur conçu à cet effet.
3. Sécher la clayette à fond et replacer celle-ci en insérant les crochets dans la tringle en métal et en rabaisant le devant.

Ampoules électriques

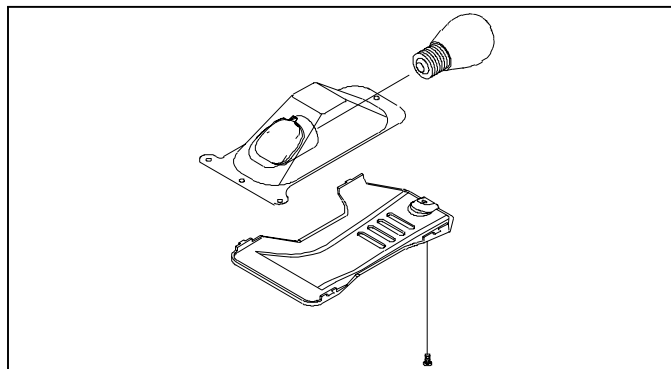
MISE EN GARDE

Pour éviter tout risque d'électrocution pouvant causer des blessures graves voire mortelles, débrancher le courant du réfrigérateur avant de remplacer l'ampoule. Une fois cette opération effectuée, brancher de nouveau le courant.

ATTENTION

Pour éviter toutes blessures corporelles ou tous dégâts matériels, veuillez observer les consignes suivantes :

- Laisser l'ampoule refroidir.
 - Porter des gants durant le remplacement de l'ampoule électrique.
1. Retirez le couvercle de l'ampoule électrique en enlevant la vis située à l'arrière, et au centre. Tirez le couvercle vers le bas. Remplacez la ou les ampoule(s) avec une ou des ampoule(s) d'appareil électroménager de 40 watts.
 2. Remplacez le couvercle de l'ampoule en plaçant le couvercle sur l'ampoule et en insérant et vissant la vis.



Conseils pour économiser l'énergie

Cet appareil est l'un des réfrigérateurs les plus économiques en matière d'énergie sur le marché actuel. La mise en pratique des conseils suivants permet de réduire la consommation d'énergie.

- Faire fonctionner à la température ambiante normale se situant entre 55° et 110 °F (13 °C à 43 °C) loin des sources de chaleur et de la lumière directe du soleil.
- Ne pas régler les commandes du système Chiller Fresh™ et des compartiments Aliments frais et congélateur à une température plus froide que nécessaire.
- Garder le compartiment congélateur toujours plein.
- Garder les joints de porte propres et flexibles. Remplacer les joints usés.
- Garder les bobines de condensateur propres.
- Placez le contrôle de l'humidité extérieure sur la position *ON* (Marche) au besoin.

Conseils pour les vacances

Procéder de la façon suivante avant de partir en vacances pour une courte période de temps.

1. Enlever les aliments périssables. **La garantie ne couvre pas la perte de nourriture.** Consulter le certificat de garantie pour connaître la couverture applicable.
2. Si un appareil à glaçons est installé, placer le bras de l'appareil à glaçons en position d'arrêt.

Procéder de la façon suivante avant de partir en vacances pour une longue période de temps.

1. Vider les compartiments Aliments frais et congélateur.
2. Débrancher le réfrigérateur.
3. Nettoyer le réfrigérateur et les joints de porte conformément aux instructions « générales » énoncées dans la section "Entretien et nettoyage".
4. Laisser les portes ouvertes afin que l'air circule librement à l'intérieur.
5. Si un appareil à glaçons est installé, fermer l'alimentation en eau du réfrigérateur et déplacer le bras de l'appareil à glaçons à la position d'arrêt.

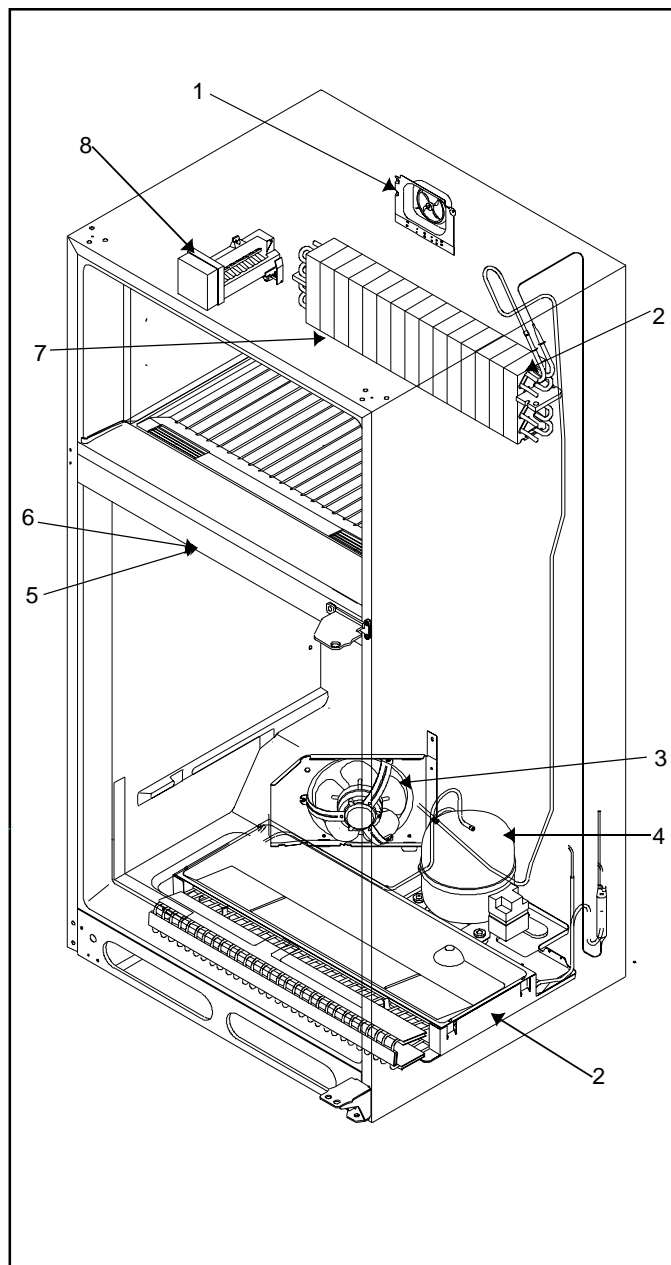
Bruits de fonctionnement normaux

Ce nouveau réfrigérateur remplace probablement un réfrigérateur conçu de façon différente, plus petit ou moins efficace. Les réfrigérateurs modernes possèdent de nouvelles caractéristiques et utilisent l'énergie de façon plus efficace. Par conséquent, certains bruits ne sont pas familiers mais le deviendront bientôt car ils sont normaux. Ces bruits indiquent également que le réfrigérateur fonctionne et offre le rendement attendu.

1. **La commande congelateur** émet un déclic lorsque le compresseur se met en marche ou s'arrête.
2. **Le ventilateur congelateur** ronronne ou propulse l'air.
3. Le flux de réfrigérant du **système hermétique** (évaporateur et échangeur de chaleur) gargouille, éclate ou émet le son de l'eau qui bout.
4. **Le dégivreur** grésille, siffle ou éclate.
5. Le bruit émis par **la minuterie du dégivreur** ressemble à celui d'une horloge électrique et se fait entendre au début et à la fin du cycle de dégivrage.
6. **Le ventilateur du condensateur** ronronne ou propulse l'air.
7. **Le compresseur** émet un son aigu ou un vrombissement.
8. **Les glaçons** fabriqués par l'appareil à glaçons (sur certains modèles) tombent dans le seau à glace.

Le raccord de la soupape d'eau de l'appareil à glaçons (sur certains modèles) bourdonne lorsque l'appareil à glaçons se remplit d'eau. Cela se produit que le réfrigérateur soit branché ou non à l'alimentation en eau. Si le réfrigérateur n'est pas branché à l'alimentation en eau, le bruit s'arrêtera lorsque le bras de l'appareil à glaçons est soulevé en position arrêt.

L'isolant mousse permet d'économiser une grande quantité d'énergie et possède d'excellentes qualités isolantes. Cependant, il n'absorbe pas autant les bruits que l'isolant en fibre de verre utilisé auparavant.



Avant d'appeler le technicien

Le réfrigérateur ne fonctionne pas.

- S'assurer que la commande congelateur est en position « on » (marche).
- S'assurer que le réfrigérateur est branché.
- Vérifier le fusible ou le disjoncteur. Brancher un autre appareil dans la prise de courant.
- Attendre 40 minutes pour vérifier si le réfrigérateur se remet en marche. Si la commande congelateur est en marche, et que les lumières fonctionnent mais que les 2 ventilateurs et le compresseur ne fonctionnent pas, le réfrigérateur est probablement en cycle de dégivrage.

Le réfrigérateur ne fonctionne toujours pas.

- Débrancher le réfrigérateur. Transférer la nourriture dans un autre réfrigérateur ou verser de la neige carbonique dans le compartiment congelateur pour conserver la nourriture. **La garantie ne couvre pas la perte de nourriture.** Consulter le certificat de garantie pour connaître la couverture applicable.
- Appeler le **1-800-628-5782** aux États-Unis et le **1-319-622-5511** à l'extérieur des États-Unis pour connaître le technicien agréé par Amana le plus proche.

La température de la nourriture semble trop chaude.

- Voir les sections précédentes.
- Laisser la nourriture récemment placée dans le réfrigérateur atteindre la température des compartiments Aliments frais ou congelateur.
- Vérifier si les joints sont fermés hermétiquement.
- Nettoyer les bobines de condensateur.
- Régler la commande Aliments frais et/ou congelateur.

La température du système Chiller Fresh™ est trop chaude.

- Régler la commande sur une position plus froide.
- Régler la commande congelateur sur une position plus froide.

La température de la nourriture est trop froide.

- Nettoyer les bobines de condensateur.
- Régler la commande Aliments frais.
- Régler la commande congelateur sur une température plus chaude. Attendre plusieurs heures afin que la température atteigne le niveau désiré.

Le réfrigérateur fonctionne trop souvent.

- Cela est peut-être normal afin de maintenir une température constante.
- Les portes ont peut-être été ouvertes trop fréquemment ou durant une période de temps prolongée.
- Laisser la nourriture récemment placée dans le réfrigérateur atteindre la température des compartiments Aliments frais ou congelateur.
- Nettoyer les bobines de condensateur.
- Régler la commande congelateur.
- Vérifier si les joints sont fermés hermétiquement.

Des gouttelettes d'eau se forment à l'intérieur du réfrigérateur.

- Cela est normal durant les périodes d'humidité intense ou si les portes ont été ouvertes fréquemment.

Des gouttelettes d'eau se forment à l'extérieur du réfrigérateur.

- Vérifier si les joints de la porte sont fermés hermétiquement.

Les tiroirs du système Chiller Fresh™ ou des bacs à légumes Garden Fresh™ ne ferment pas facilement (sur certains modèles).

- Vérifier si un emballage empêche le tiroir de fermer correctement.
- S'assurer que le tiroir est en place.
- Nettoyer les cannelures du tiroir avec de l'eau tiède savonneuse. Rincer et sécher à fond.
- Appliquer une mince couche de pétrolatum dans les cannelures du tiroir.
- S'assurer que le réfrigérateur est de niveau.

Une odeur persiste dans le réfrigérateur.

- Voir les instructions « Suppression des odeurs » dans la section "Entretien et nettoyage".

Le réfrigérateur émet des sons peu familiers ou trop bruyants.

- Cela est peut-être normal. Voir la section "Bruits de fonctionnement normaux".

Les glaçons dégagent une odeur.

- Voir les instructions « Suppression des odeurs » dans la section "Entretien et nettoyage".
- Jeter la glace et nettoyer le seau à glace ou les bacs à glaçons plus fréquemment. Les glaçons sont poreux et absorbent les odeurs facilement.

Les glaçons collent les uns aux autres ou « rétrécissent ».

- Vider le seau à glace ou les bacs à glaçons plus fréquemment. Si on les laisse trop longtemps dans le congelateur, les glaçons collent les uns aux autres ou rétrécissent.

Des glaçons se forment dans le tube d'entrée de la machine à glaçons.

- Vérifiez la pression d'eau. Une pression d'eau faible provoque une fuite de la soupape. Les soupapes autotaraudeuses provoquent une pression d'eau faible. **Amana recommande l'utilisation d'une soupape à étrier. Appelez le 1-319-622-5511 ou consultez un représentant Amana pour savoir si les pièces sont disponibles. N'utilisez pas de soupape autotaraudeuse. Amana ne peut être tenu responsable des dommages causés par une installation ou un raccordement d'eau inadéquats.**

Garantie

Garantie complète d'un an Garantie complète de cinq ans sur les composants du système hermétique et l'habillage du

Première année

Amana Appliances réparera ou remplacera, sans aucun frais, toute pièce s'avérant défectueuse en raison de défauts de matériaux ou vices de fabrication.

Deuxième à cinquième année incluse

Amana Appliances remplacera, sans aucun frais, tout composant du système hermétique (compresseur, condensateur, évaporateur et tuyau d'interconnexion) et réparera tout habillage du compartiment pour la nourriture (à l'exception de l'habillage de la porte) venant à être défectueux en raison de défauts de matériaux ou vices de fabrication.

Limites de la garantie

- Commence à la date de l'achat original.
- S'applique à un appareil utilisé aux États-Unis ou au Canada si cet appareil est approuvé par l'Association canadienne de normalisation en quittant l'usine.
- Toute réparation doit être effectuée par un technicien **agréé** par Amana.

La garantie est nulle et non avenue si

- La plaque du numéro de série est illisible.
- L'appareil est utilisé à des fins commerciales ou locatives.
- L'appareil est défectueux ou endommagé en raison d'un accident, d'une altération, d'un raccord à une mauvaise alimentation, d'un incendie, d'une inondation, d'un orage, de l'expédition et de la manipulation, ou d'autres circonstances indépendantes de la volonté d'Amana Appliances.
- L'appareil est utilisé ou installé de façon incorrecte.

Responsabilités du propriétaire

- Fournir une preuve d'achat (récépissé de vente)
- Procéder à l'entretien normal. Remplacer les composants tel qu'indiqué dans le manuel du propriétaire.
- Faciliter l'accès à l'appareil lors des réparations.
- Payer le supplément lorsque le technicien doit procéder à une réparation en dehors des heures d'ouverture normales.
- Payer les frais de visite relativement à l'installation de l'appareil.

En aucun cas Amana Appliances n'est responsable des dommages indirects ou accessoires, notamment la perte de nourriture*.

* Cette garantie vous donne des droits légaux spécifiques et vous pourriez bénéficier d'autres droits qui varient selon l'état ou la province où vous demeurez. Par exemple, certains états ou provinces ne permettant pas l'exclusion ou la limitation des dommages indirects ou accessoires, cette exclusion ne s'applique pas forcément à votre cas.