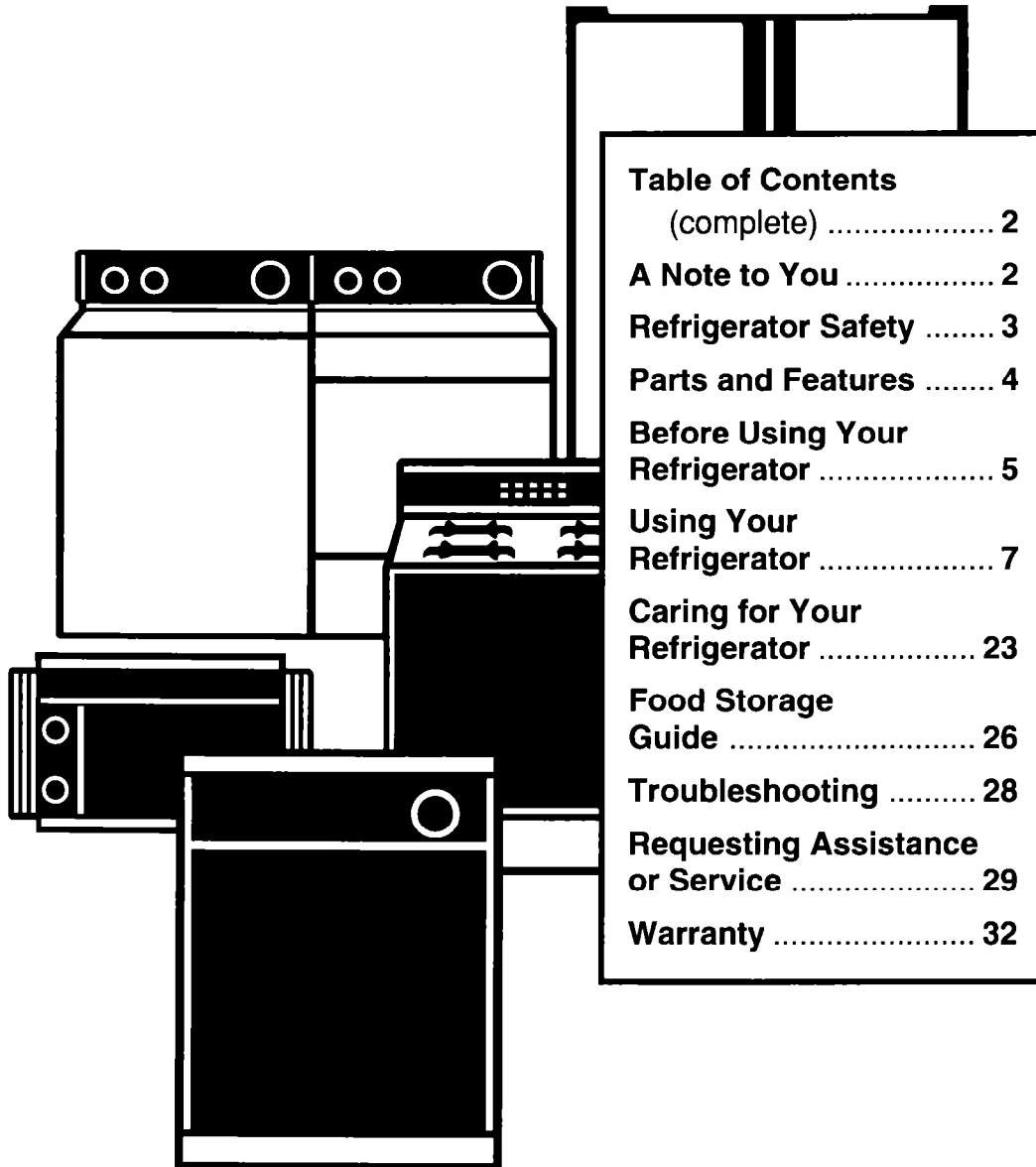




Use and Care

G U I D E



**NO-FROST
SIDE BY SIDE REFRIGERATOR**

Table of Contents

	Page		Page
A Note to You	2	Removing the freezer shelf	11
Refrigerator Safety	3	Using the THIRSTCRUSHER* dispensing system	12
Parts and Features	4	Using the automatic ice maker	14
Before Using Your Refrigerator	5	Removing the ice maker storage bin ...	16
Using Your Refrigerator	7	Attaching the ice maker to a water supply	17
Setting the controls	7	Removing the base grille	20
Changing the control settings	7	Changing the light bulbs	20
Removing the door shelf fronts	8	Understanding the sounds you may hear	22
Removing the drop-in door trim	9	Saving energy	22
Adjusting the cantilever refrigerator shelves	9	Caring for Your Refrigerator	23
Removing the meat drawer and cover	10	Food Storage Guide	26
Adjusting the meat drawer temperature	10	Troubleshooting	28
Removing the crisper and crisper cover	11	Requesting Assistance or Service	29
Removing the freezer bin	11	Warranty	32

A Note to You

Thank you for buying an ESTATE* appliance.

ESTATE appliances give you all the functionality of name brand appliances at a value price. To ensure you enjoy years of trouble-free operation, we developed this Use and Care Guide. It contains valuable information about how to operate and maintain your appliance properly and safely. Please read it carefully. Also, please complete and mail the Ownership Registration Card provided with your appliance. This card helps us notify you about any new information on your appliance.

Please record your model's information.

Whenever you call to request service on your appliance, you need to know your complete model number and serial number. You can find this information on the model and serial number label (see diagram on page 4 for location of label).

Please also record the purchase date of your appliance and your dealer's name, address, and telephone number.

Model Number _____

Serial Number _____

Purchase Date _____

Dealer Name _____

Dealer Address _____

Dealer Phone _____

Keep this book and the sales slip together in a safe place for future reference.

Our Consumer Assistance Center number is toll-free from anywhere in the U.S.A. 24-hours a day.

1-800-253-1301

Refrigerator Safety

Your safety is important to us.

This guide contains statements under warning symbols. Please pay special attention to these symbols and follow any instructions given. Here is a brief explanation of the use of the warning symbol.



This symbol alerts you to such dangers as fire, electrical shock, or other injuries.

IMPORTANT SAFETY INSTRUCTIONS

⚠ WARNING

To reduce the risk of fire, electrical shock, or injury when using your refrigerator, follow these basic precautions:

- Read all instructions before using the refrigerator.
 - Child entrapment and suffocation are not problems of the past. Junked or abandoned refrigerators are still dangerous ... even if they will "just sit in the garage a few days."
If you are getting rid of your old refrigerator, do it safely. Please read the enclosed safety booklet from the Association of Home Appliance Manufacturers. Help prevent accidents.
 - Never allow children to operate, play with, or crawl inside the refrigerator.
 - Never clean refrigerator parts with flammable fluids. The fumes can create a fire hazard or explosion.
 - FOR YOUR SAFETY •
- DO NOT STORE OR USE GASOLINE OR OTHER FLAMMABLE VAPORS AND LIQUIDS IN THE VICINITY OF THIS OR ANY OTHER APPLIANCE. THE FUMES CAN CREATE A FIRE HAZARD OR EXPLOSION.

– SAVE THESE INSTRUCTIONS –

Help us help you

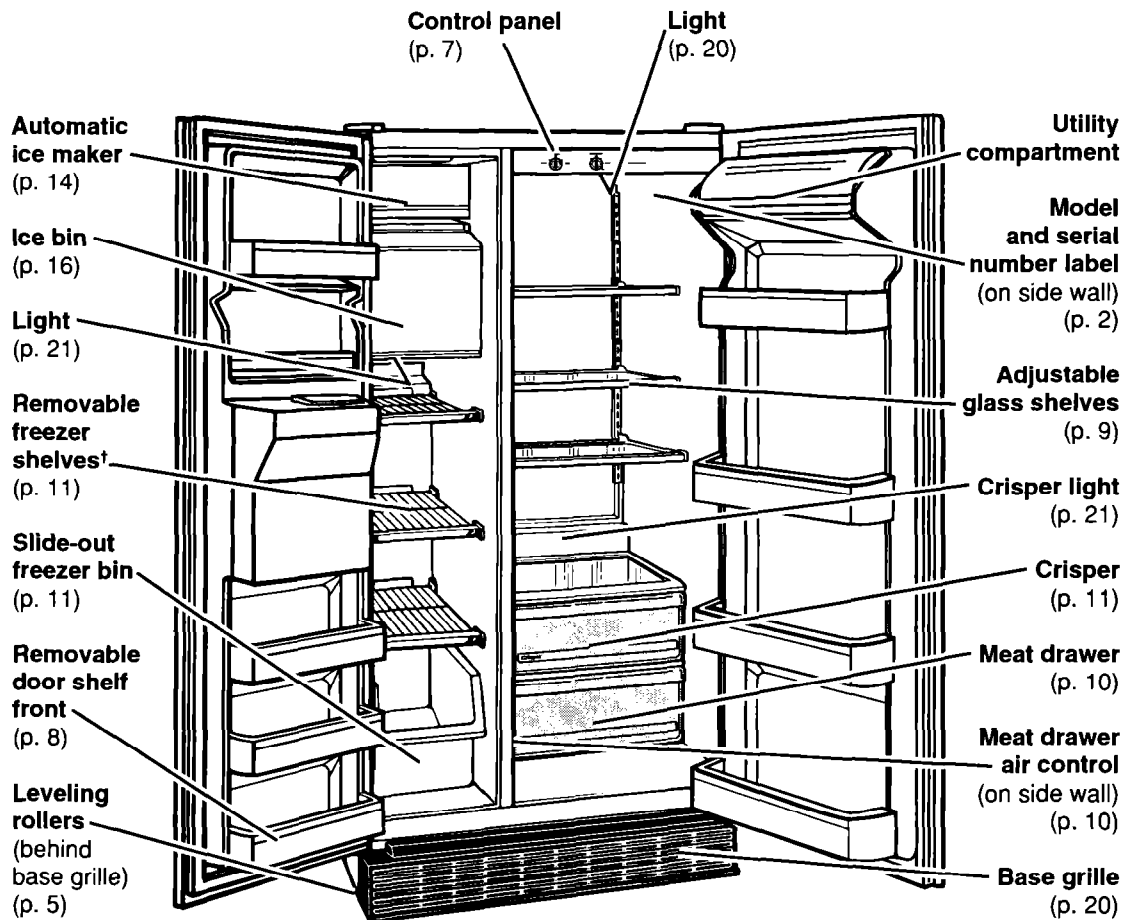
Please:

- Install and level the refrigerator on a floor that will hold the weight and in an area suitable for its size and use.
- Do not install the refrigerator near an oven, radiator, or other heat source.
- Do not use the refrigerator in an area where the room temperature will fall below 55°F (13°C).
- Keep the refrigerator out of the weather.
- Connect the refrigerator only to the proper kind of outlet, with the correct electrical supply and grounding. (Refer to the Electrical Requirements and Grounding Instructions Sheet.)
- Do not load the refrigerator with food before it has time to get properly cold.
- Use the refrigerator only for the uses described in this manual.
- Properly maintain the refrigerator.
- Be sure the refrigerator is not used by anyone unable to operate it properly.

Parts and Features

This section contains captioned illustrations of your appliance. Use them to become familiar with where all parts and features are located and what they look like. Page references are included for your convenience.

NOTE: The model you have purchased may have all or some of the parts and features shown and they may not match the illustration exactly. This manual covers several models.



† Number varies with model

Before Using Your Refrigerator

It is important to prepare your refrigerator for use. This section tells you how to clean it, connect it to a power source, install it, and level it.

Cleaning your refrigerator

Removing packaging materials

Remove tape and any inside labels (except the model and serial number label) before using the refrigerator.

To remove any remaining tape or label glue:

- Rub briskly with thumb.

OR

- Apply liquid hand-dishwashing detergent to area before removing glue as described above. Do not use sharp instruments, rubbing alcohol, flammable fluids, or abrasive cleaners. These can damage the material. See "Important Safety Instructions" on page 3.

NOTE: Do not remove any permanent instruction labels inside your refrigerator. Do not remove the Tech Sheet fastened under the refrigerator at the front.

Cleaning it before use

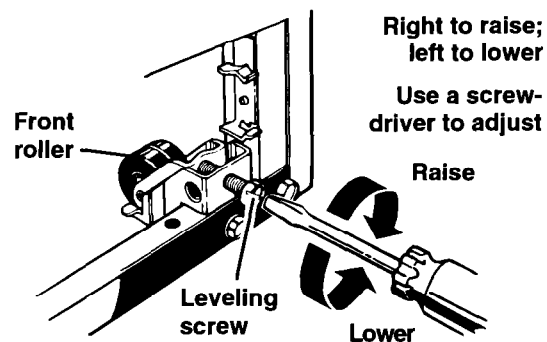
After removing all packaging materials, clean your refrigerator before using it, if necessary. See cleaning instructions on page 23.



Leveling it

Your refrigerator has 2 front leveling screws – one on the right and one on the left. To adjust one or both of these, follow the directions below.

1. Remove base grille. (See page 20.)
2. To raise front, turn screw clockwise.
3. To lower front, turn screw counter-clockwise.
4. Check with level.
5. Replace base grille. (See page 20.)



Plugging it in

⚠ WARNING



Fire Hazard

**Do not use an extension cord.
Doing so can result in death, fire, or
electrical shock.**

⚠ WARNING



Electrical Shock Hazard

**Plug into a grounded 3 prong outlet.
Do not remove ground prong.
Do not use an adapter.
Failure to follow these instructions
can cause death, fire, or electrical
shock.**

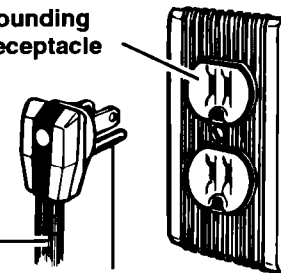
Recommended Grounding Method

A 115 Volt, 60 Hz., AC only 15 or 20 ampere fused and properly grounded electrical supply is required. It is recommended that a separate circuit serving only this appliance be provided. Use a receptacle which cannot be turned off with a switch or pull chain. Do not use an extension cord. See Electrical Requirements and Grounding Instructions Sheet in your Literature Package.

**3-prong grounding
type wall receptacle**

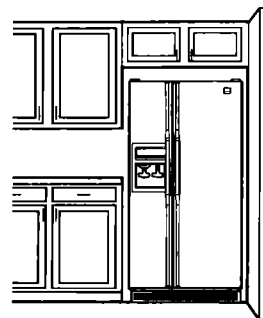
**Refrigerator
power cord**

3-prong grounding plug



Installing it properly

1. Allow ½ inch (1.25 cm) space on each side and at the top of the refrigerator for ease of installation.
2. If a hinge side of the refrigerator is to be against a wall, you might want to leave extra space so the door can be opened wider.
3. The refrigerator can be flush against the back wall.



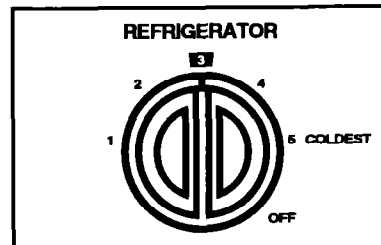
Using Your Refrigerator

To obtain the best possible results from your refrigerator, it is important that you operate it properly. This section tells you how to set the controls, remove and adjust the features in your refrigerator, and how to save energy.

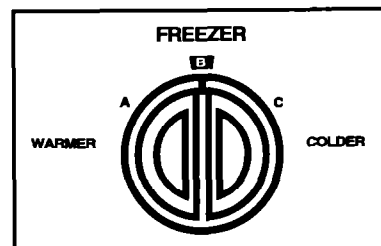
Setting the controls

Controls for the refrigerator and freezer are in the refrigerator. When you plug in the refrigerator for the first time:

1. **Set the Refrigerator Control to 3 (Recommended Setting).** Refrigerator Control settings range from 1 (warmest) to 5 (coldest).



2. **Set the Freezer Control to B (Recommended Setting).** Freezer Control settings range from A (warmest) to C (coldest).



Give the refrigerator time to cool down completely before adding food. This may take several hours. The settings indicated above should be correct for normal, household refrigerator usage. The controls are set correctly when milk or juice is as cold as you like and when ice cream is firm. If you need to adjust these settings, see "Changing the control settings" below.

NOTE: The Automatic Exterior Moisture control continuously guards against moisture buildup on the outside of your refrigerator cabinet. This control does not have to be set or adjusted.

Changing the control settings

If you need to adjust temperatures in refrigerator or freezer, use the settings listed in the chart below as a guide. If you have any questions, call our Consumer Assistance Center number, **1-800-253-1301**, from anywhere in the U.S.A.

- Adjust the Refrigerator Control first.
- Wait at least 24 hours between adjustments.
- Then adjust the Freezer Control if needed.

CONDITION:	REASON:	RECOMMENDED SETTINGS:	
		Refrigerator	Freezer
Refrigerator section too warm	<ul style="list-style-type: none"> • Door opened often • Large amount of food added • Room temperature too warm 	4	A
Freezer section too warm	<ul style="list-style-type: none"> • Door opened often • Large amount of food added • Very cold room temperature (can't cycle often enough) 	3	C
Refrigerator section too cold	<ul style="list-style-type: none"> • Controls not set correctly for your conditions 	2	B
Ice not made fast enough	<ul style="list-style-type: none"> • Heavy ice usage • Very cold room temperature (can't cycle often enough) 	3	C
Both sections too warm	<ul style="list-style-type: none"> • Door opened often • Large amount of food added • Very warm or very cold room temperatures 	4	B

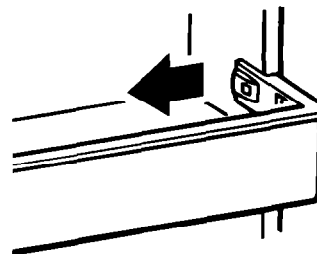
Removing the door shelf fronts

(on some models)

Remove the door shelf fronts for easier cleaning.

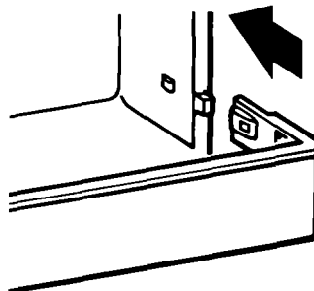
To remove shelf fronts:

1. Remove all items from the shelf.
2. Pull out on the inside tab at each end of the shelf fronts.
3. Pull shelf front straight out.



To replace shelf fronts:

1. Line up ends of the shelf front with the button on the door liner wall.
2. Push shelf front straight back until it snaps securely into place.
3. Replace items on the shelf.



Removing the drop-in door trim (dispenser area) (on some models)

Remove the trim above the dispenser area for easier cleaning.

To remove the trim piece:

1. Remove all items from the shelf.
2. Pull straight up on the trim piece at each end.



To replace the trim piece:

1. Locate each end of the trim piece above the trim pocket opening.
2. Push the trim piece straight down until it stops.
3. Replace items on the shelf.



Adjusting the cantilever refrigerator shelves

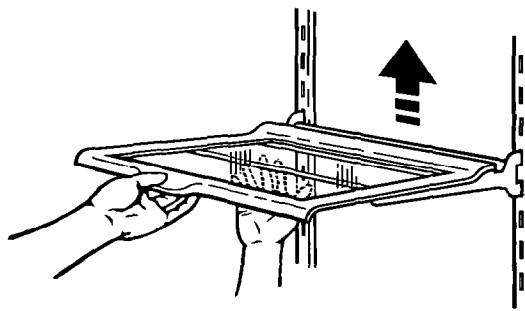
Adjust the shelves to match the way you use your refrigerator. Glass shelves are strong enough to hold bottles, milk, and other heavy food items.

To remove a shelf:

1. Remove items from shelf.
2. Tilt shelf up at front.
3. Lift shelf at back.
4. Pull shelf straight out.

To replace a shelf:

1. Guide the rear shelf hooks into the slots in the shelf supports on the back liner wall.
2. Tilt front of shelf up until hooks drop into slots.
3. Lower front of shelf to a level position.



NOTE: Glass shelves are heavy. Handle them carefully.

Removing the meat drawer and cover

To remove the meat drawer:

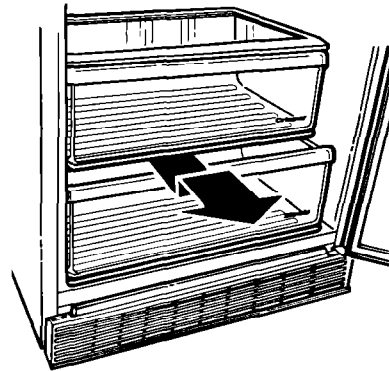
1. Slide the meat drawer straight out to the stop.
2. Lift the front slightly.
3. Slide out the rest of the way.
4. Replace in reverse order.

To remove the cover:

1. Remove meat drawer and crisper.
2. Lift front of cover off supports.
3. Lift cover out by pulling up and out.

To replace the cover:

1. Fit back of cover into notch supports on walls of refrigerator.
2. Lower front into place.
3. Replace meat drawer and crisper.

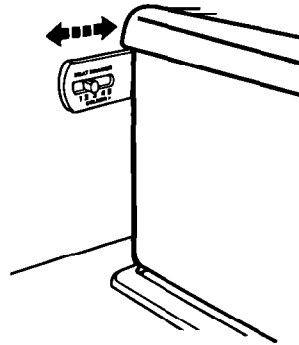


Pull out to the stop, lift the front, and pull again.

Adjusting the meat drawer temperature

Cold air flows from the freezer into the meat drawer. This helps keep the meat drawer colder than the rest of the refrigerator for better storage of meats.

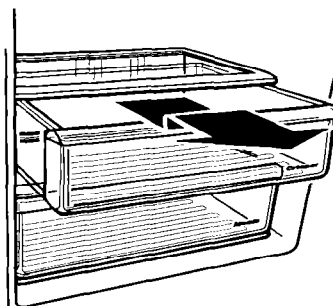
Slide the control from side to side to let more or less cold air through.



Removing the crisper and crisper cover

To remove the crisper:

1. Slide crisper straight out to the stop.
2. Lift the front and slide out the rest of the way.
3. Replace in reverse order.



Pull out to the stop, lift the front, and pull again.

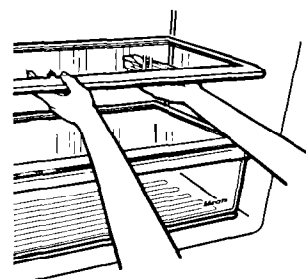
To remove the cover:

1. Hold cover firmly with both hands and lift front of cover off supports.
2. Lift cover out by pulling up and out.

To replace the cover:

1. Fit back of cover into notch supports on walls of refrigerator.
2. Lower front into place.

Remove the glass insert. Lift the cover front, then the back.



NOTE: Handle glass insert with care. It is heavy.

Removing the freezer bin

To remove the bin:

1. Slide bin out to the stop.
2. Lift the front to clear the stop.
3. Slide bin out the rest of the way.

To replace the bin:

1. Place bin on the slides.
2. Make sure the wire stops clear the front of the slides.
3. Slide bin in all the way.

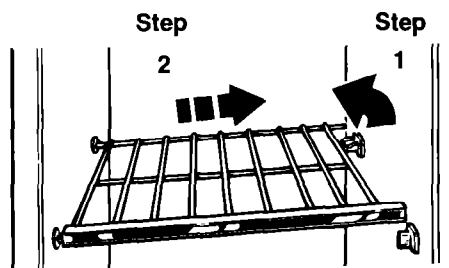


Pull out to the stop, lift the front, and pull again.

Removing the freezer shelf

To remove the shelf:

1. Lift right side of shelf off supports.
2. Slide shelf out of shelf support holes.
3. Replace in reverse order.



Using the THIRSTCRUSHER* dispensing system

The ice dispenser

Ice dispenses from the ice maker storage bin in the freezer. When you press the dispenser bar, a trapdoor opens in a chute between the dispenser and the ice bin. Ice moves from the bin and falls through the chute. When you release the dispenser bar, a buzzing sound may be heard for a few seconds as the trapdoor closes. The dispenser system will not operate when the freezer door is open.

For crushed ice, cubes are crushed before being dispensed. This may cause a slight delay when dispensing crushed ice. Noise from the ice crusher is normal, and pieces of ice may vary in size.

When changing from CRUSHED to CUBED, a few ounces of crushed ice will be dispensed along with the first cubes.

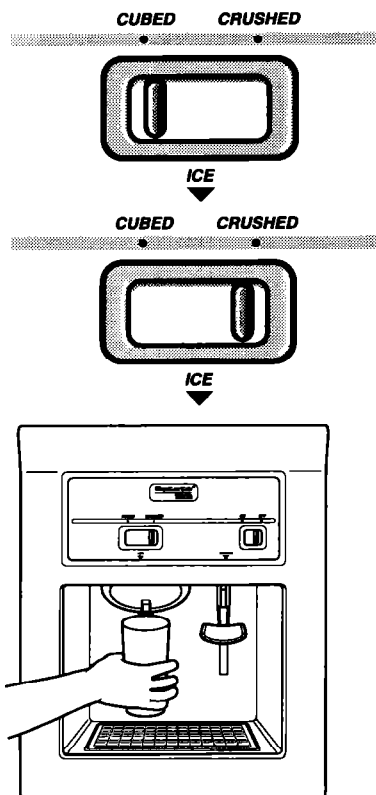
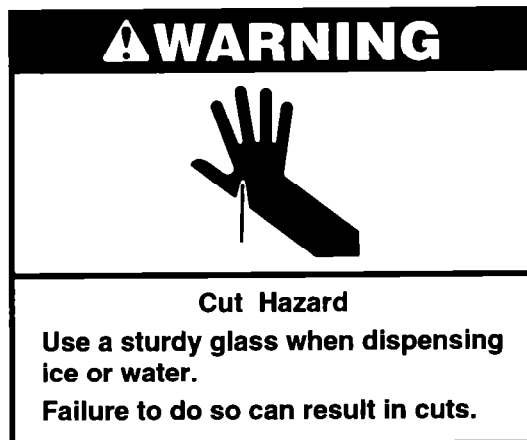
To dispense ice:

1. For **cubed ice**, move Ice Selector Switch to CUBED position.

For **crushed ice**, move Ice Selector Switch to CRUSHED position.

2. Press a **sturdy** glass against the ice dispenser bar. Hold glass close to dispenser opening so ice does not fall outside of glass.
3. Remove the glass to stop dispensing.

NOTE: The first few batches of ice may have an off-flavor from new plumbing and parts. Throw the ice away. Also, take large amounts of ice from the ice bin, not through the dispenser.



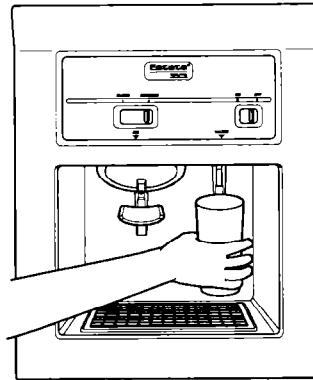
The water dispenser

Chilled water comes from a tank behind the meat drawer. It holds approximately 1½ quarts (1.5 L).

When the refrigerator is first hooked up, press the water dispenser bar with a glass or jar until you draw and discard 2 or 3 quarts (1.9 to 2.8 L). The water you draw and discard rinses the tank and pipes.

Allow several hours to chill a new tankful.

NOTE: The small tray beneath the dispenser is designed to evaporate **small** spills. There is no drain in this tray. **Do not** pour water into it.



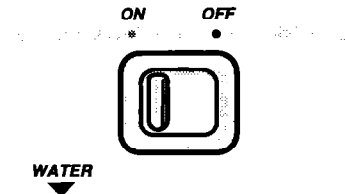
To dispense water:

1. Press a **sturdy** glass against the water dispenser bar.
2. Remove the glass to stop dispensing.

NOTE: Dispense enough water every week to maintain a fresh supply.

The dispenser light

To turn on **night light**, slide dispenser LIGHT switch to the left. See page 21 for directions for changing the dispenser light bulb.



Solving common ice dispenser problems

PROBLEM	POSSIBLE CAUSE/SOLUTION
Ice dispenser will not work	<ul style="list-style-type: none"> • Freezer door is open. • Ice bin not properly installed. Make sure the bin is pushed in all the way. • Wrong ice in bin. Only use crescents from the ice maker. Shake the bin occasionally to separate cubes and increase storage room. • Dispenser not used for extended periods of time, causing ice cubes to melt together. Dump old ice and make a new supply.
Ice dispenser stops working	<ul style="list-style-type: none"> • Ice dispenser bar held in too long. Wait about 3 minutes for dispenser motor to reset. • Large amounts of ice should be taken from the bin, not through the dispenser.

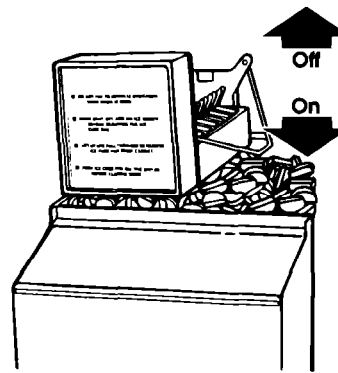
Using the automatic ice maker

Here are a few things you will want to know about your automatic ice maker:

- The ON/OFF lever is a wire signal arm.
DOWN to make ice automatically.
UP to shut off the ice maker.

NOTE: Do not turn ice maker on until it is connected to the water supply. **Instructions for ice maker water supply hookup are attached to the back of the refrigerator cabinet.**

- It is normal for ice crescents to be attached by a corner. They break apart easily.
- The ice maker will not operate until the freezer is cold enough to make ice. This can take overnight.
- If ice is not being made fast enough and more ice is needed, turn the Refrigerator Control toward a higher number. Wait a day and, if necessary, turn the Freezer Control toward C.
- Good water quality is important for good ice quality. Try to avoid connecting the ice maker to a softened water supply. Water softener chemicals (such as salt from a malfunctioning softener) can damage the ice maker mold and lead to poor ice quality. If a softened water supply cannot be avoided, make sure the water softener is operating properly and is well maintained.



**UP to
stop ice
maker.**

**DOWN to
start ice
maker.**

Solving common ice maker/dispenser problems

PROBLEM	POSSIBLE CAUSE/SOLUTION
Ice crescents attached at corners	<ul style="list-style-type: none"> • This is normal. They break apart easily. Shake bin occasionally to keep cubes separated.
Ice maker will not operate or ice is not made fast enough	<ul style="list-style-type: none"> • ON/OFF lever is in the OFF (up) position. Lower lever to the ON (down) position. • Freezer is not cold enough. Adjust temperature controls and wait 24 hours. (See "Changing the control settings" on page 7.)
Off-taste or odor in ice	<ul style="list-style-type: none"> • New plumbing connections can cause discolored or off-flavored ice. Discard the first few batches of ice. • Cubes are stored too long. Throw them away and make a new supply. • Food is not wrapped properly. See page 27. • Freezer and ice bin need to be cleaned. See page 23. • Water may contain minerals (such as sulfur). A filter may be required to remove them.
Ice dispenser will not work	<ul style="list-style-type: none"> • Freezer door is open. • Ice bin not properly installed. Make sure the bin is pushed in all the way. • Wrong ice in bin. Only use crescents from the ice maker. Shake the bin occasionally to separate cubes and increase storage room. • Dispenser not used for extended periods of time, causing ice cubes to melt together. Dump old ice and make a new supply.
Ice dispenser stops working	<ul style="list-style-type: none"> • Ice dispenser bar held in too long. Wait about 3 minutes for dispenser motor to reset. • Large amounts of ice should be taken from the bin, not through the dispenser.

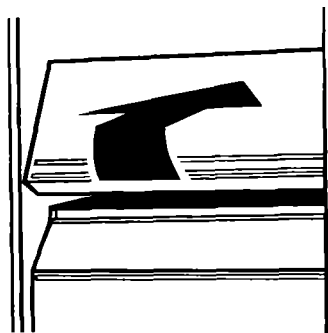
Removing the ice maker storage bin

Remove, empty, and clean the storage bin if:

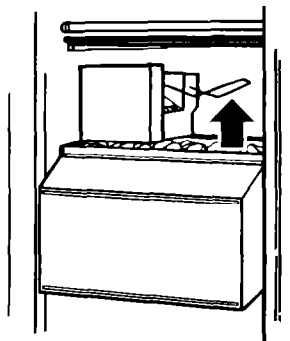
- the ice dispenser has not, or will not, be used for a week or more.
- a power failure causes ice in the bin to melt and freeze together.
- the ice dispenser is not used regularly.

To remove ice bin:

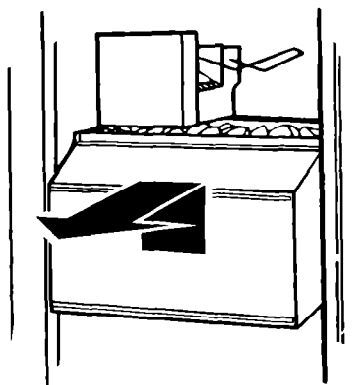
1. Pull the covering panel out from the bottom and slide it to the rear.



2. Lift the signal arm so it clicks into the OFF (up) position. Ice can still be dispensed, but no more can be made.



3. Lift the front of the storage bin and pull it out.
4. Empty the ice bin. Use hot or warm water to melt the ice if necessary. **Never use anything sharp** to break up ice in the bin. This can damage the bin and dispenser mechanism.
5. Wash with mild detergent. Rinse well. Do not use harsh or abrasive cleaners or solvents.
6. When replacing the bin, make sure it is pushed in all the way. Then push the signal arm down to the ON position to restart ice production.



Attaching the ice maker to a water supply

Read all directions carefully before you begin.

⚠ WARNING



Electrical Shock Hazard

Unplug the refrigerator before installing ice maker.

Failure to do so can result in death or electrical shock.

IMPORTANT:

- Use copper tubing only and check for leaks.
- Install ice maker tubing in areas where temperatures are above freezing.

Tools required:

- Standard screwdriver
- $\frac{7}{16}$ -inch and $\frac{1}{2}$ -inch open-end wrenches or 2 adjustable wrenches
- $\frac{1}{4}$ -inch nut driver
- $\frac{1}{4}$ -inch drill bit
- Hand drill or electric drill (properly grounded)

NOTE: Your appliance dealer has a kit available with a $\frac{1}{4}$ -inch saddle type shut-off valve, a union, and copper tubing. Before purchasing, make sure a saddle type valve complies with your local plumbing codes. Do not use piercing type or $\frac{3}{16}$ -inch saddle valve which reduces water flow and clogs more easily.

Cold water supply

Ice maker water valve contains a flow washer which is used as a water pressure regulator. The ice maker needs to be connected to a cold water line with water pressure limitations of 20-120 PSI. If a problem occurs, call your utility company.

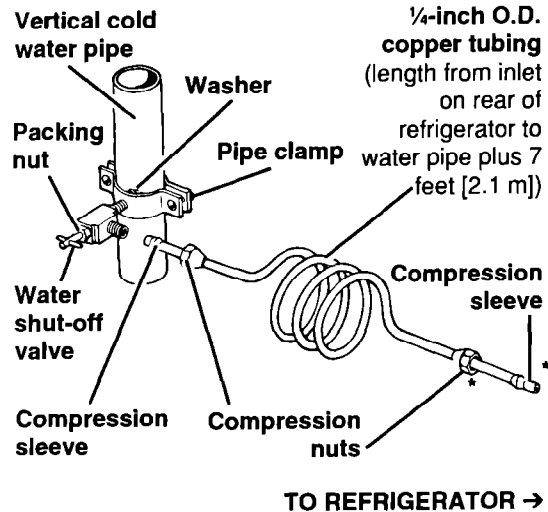
IMPORTANT:

- It may take up to 24 hours for your ice maker to begin producing ice.
- If operating the refrigerator before installing the water connection, turn ice maker to the OFF position to prevent operation without water.
- All installations must be in accordance with local plumbing code requirements.

INSTALLATION IS NOT WARRANTED BY REFRIGERATOR OR ICE MAKER MANUFACTURER.

Connecting to water line

1. Find a 1/2-inch to 1 1/4-inch vertical COLD water pipe near the refrigerator.
NOTE: Horizontal pipe will work, but the following precaution must be taken: Drill on the top side of the pipe, not the bottom. This will help keep water away from the drill. This also keeps normal sediment from collecting in the valve.
2. Measure from connection on rear of refrigerator to water pipe. Add 7 feet (2.1 m) to allow for moving refrigerator for cleaning. This is the length of 1/4-inch O.D. copper tubing you will need for the job (length from connection to water pipe PLUS 7 feet [2.1 m]). Be sure both ends of copper tubing are cut square.
3. Turn OFF main water supply. Turn ON nearest faucet long enough to clear line of water.
4. Using a grounded drill, drill a 1/4-inch hole on the cold water pipe you have selected.
5. Fasten shut-off valve to cold water pipe with pipe clamp. Be sure outlet end is solidly in the 1/4-inch drilled hole in the water pipe and that washer is under the pipe clamp. Tighten packing nut. Tighten the pipe clamp screws carefully and evenly so washer makes a watertight seal. Do not overtighten or you may crush the copper tubing, especially if soft (coiled) copper tubing is used. Now you are ready to connect the copper tubing.
6. Slip compression sleeve and compression nut on copper tubing as shown in diagram. Insert end of tubing into outlet end squarely as far as it will go. Screw compression nut onto outlet end with adjustable wrench. Do not overtighten. Turn ON main water supply and flush out tubing until water is clear. Turn OFF shut-off valve on the water pipe. Coil copper tubing.



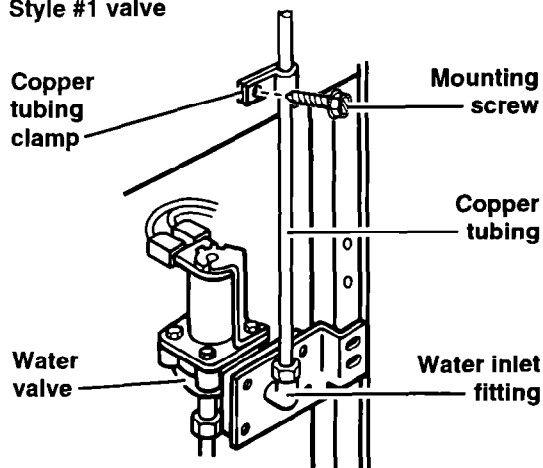
* Some models may not feature the second compression nut and sleeve.

Connecting to refrigerator

NOTE: The first step for connecting the water line to your refrigerator is different depending on the type of water valve provided with your refrigerator. See the diagrams at right to determine the style of valve you have. (On kit models, assemble water valve to refrigerator per kit instructions.)

1. For style #1, disconnect the tube clamp on the back of the product and insert the copper tubing through the clamp, as shown at the right. Remove the tape label from the valve inlet and insert copper tubing until it bottoms out (approximately $\frac{3}{4}$ inch). Tighten nut by hand as much as possible; then turn the nut an additional $\frac{1}{2}$ turn using a wrench. Do not overtighten. Reattach the tube clamp and tube to the back of the cabinet. Skip to step 2.

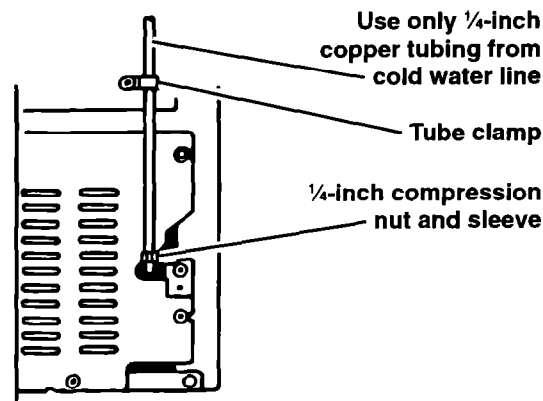
Style #1 valve



For style #2, disconnect the tube clamp on the back of the product and insert copper tubing through the clamp as shown at the right. Attach the copper tube to the valve inlet using a compression nut and sleeve as shown. Tighten the compression nut. Do not overtighten. Reattach the tube clamp and tube to the back of the cabinet. Move to step 2.

2. Turn shut-off valve ON. CHECK FOR LEAKS. TIGHTEN ANY CONNECTIONS (INCLUDING CONNECTIONS AT THE VALVE) OR NUTS THAT LEAK.
3. The ice maker is equipped with a built-in water strainer. If local water conditions require periodic cleaning or a well is your source of water supply, a second water strainer should be installed in the $\frac{1}{4}$ -inch water line. Obtain a water strainer from your nearest appliance dealer. Install at either tube connection.
4. Reconnect electrical supply to refrigerator.

Style #2 valve



Removing the base grille

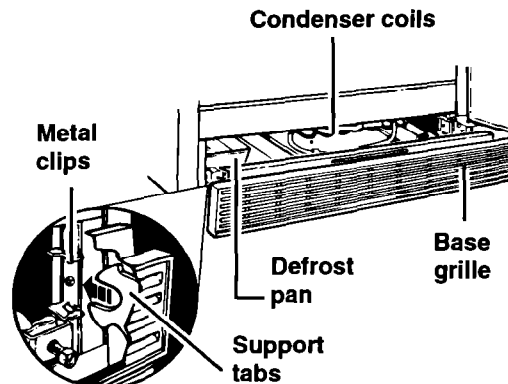
To remove the grille:

1. Open both doors.
2. Pull base grille forward to release the support tabs from the metal clips.
3. **Do not remove Tech Sheet** fastened behind the grille.

To replace the grille:

1. Line up grille support tabs with metal clips.
2. Push firmly to snap into place.
3. Close the doors.

See cleaning instructions for defrost pan and condenser coils on page 24.



Changing the light bulbs

⚠ WARNING

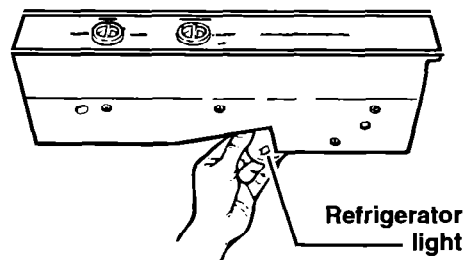


Electrical Shock Hazard

Unplug the refrigerator before changing light bulb.
Failure to do so can result in death or electrical shock.

To change refrigerator light:

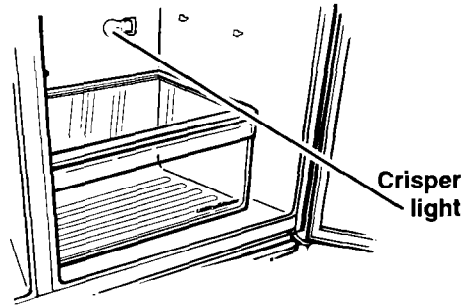
1. Unplug the refrigerator.
2. Reach behind the Control Console to remove bulb.
3. Replace bulb with a 40-watt appliance bulb.
4. Plug in the refrigerator.



USING YOUR REFRIGERATOR

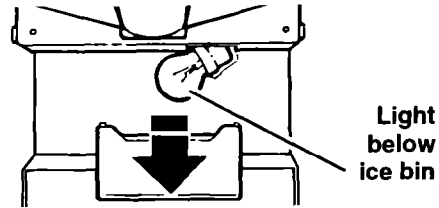
To change crisper light:

1. Unplug the refrigerator.
2. Pull top of light shield forward until it snaps free.
3. Lower light shield to clear bottom supports.
4. Pull light shield straight out to remove.
5. Replace bulb with a 40-watt appliance bulb.
6. Replace light shield in reverse order.
7. Plug in the refrigerator.



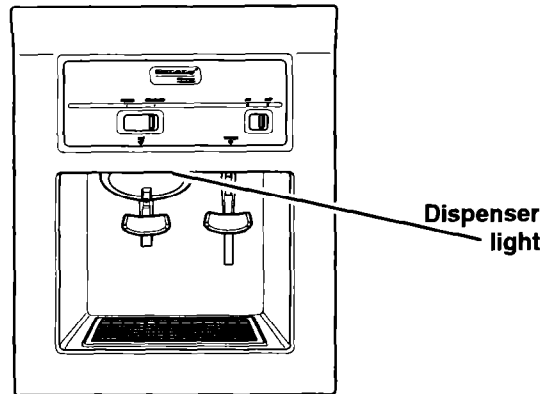
To change light below ice bin:

1. Unplug the refrigerator.
2. Push in sides of light shield and pull forward until shield snaps free.
3. Replace bulb with a 40-watt appliance bulb.
4. Replace light shield.
5. Plug in the refrigerator.



To change dispenser area light:

1. Disconnect refrigerator from power supply.
2. Reach through dispenser area to remove bulb.
3. Replace with a heavy-duty 10-watt bulb, which can be purchased from your Whirlpool dealer.
4. Reconnect refrigerator to power supply.



NOTE: Not all commercial appliance bulbs will fit your refrigerator. Be sure to replace a bulb with one of the same size and shape.

Understanding the sounds you may hear

Your new refrigerator may make sounds that your old one didn't. Because the sounds are new to you, you might be concerned about them. Don't be. Most of the new sounds are normal. Hard surfaces like the floor, walls, and cabinets can make the sounds seem louder. The following describes the kinds of sounds that might be new to you, and what may be making them.

Slight hum, soft hiss

You may hear the refrigerator's fan motor and moving air.

Clicking or snapping sounds

The thermostat makes a definite click when the refrigerator stops running. It also makes a sound when the refrigerator starts. The defrost timer will click when the defrost cycle starts.

Water sounds

When the refrigerator stops running, you may hear gurgling in the tubing for a few minutes after it stops. You may also hear defrost water running into the defrost water pan.

Ice maker sounds

- trickling water
- thud (clatter of ice)

You may hear buzzing (from the water valve), trickling water, and the clatter of ice dumped into the bin.

Running sounds

Your refrigerator has a high-efficiency compressor and motor. It will run longer than older designs. It may even seem to run most of the time.

Saving energy

You can help your refrigerator use less electricity.

- Check door gaskets for a tight seal. Level the cabinet to be sure of a good seal.
- Clean the condenser coils regularly.
- Open the door as few times as possible. Think about what you need before you open the door. Get everything out at one time. Keep food organized so you won't have to search for what you want. Close door as soon as food is removed.
- Go ahead and fill up the refrigerator, but don't overcrowd it so air movement is blocked.
- It is a waste of electricity to set the refrigerator and freezer to temperatures colder than they need to be. If ice cream is firm in the freezer and drinks are as cold as your family likes them, that's cold enough.
- Make sure your refrigerator is not next to a heat source such as a range, water heater, furnace, radiator, or in direct sunlight.

Caring for Your Refrigerator

Your refrigerator is built to give you many years of dependable service. However, there are a few things you can do to help extend its product life. This section tells you how to clean your refrigerator and what to do when going on vacation, moving, or during a power outage.

Cleaning your refrigerator

Both the refrigerator and freezer sections defrost automatically. However, clean both about once a month to help prevent odors from building up. Wipe up spills right away.



To clean your refrigerator, unplug it, take out all removable parts, and clean the refrigerator according to the following directions.

! WARNING



Burn Hazard

Do not touch refrigeration tubes near defrost pan.

Doing so can result in burns.

PART	WHAT TO USE	HOW TO CLEAN
Removable parts (shelves, crisper, etc.)	Sponge or cloth with mild detergent and warm water	<ul style="list-style-type: none"> • Hand wash, rinse, and dry thoroughly.
Outside	Sponge, cloth, or paper towel with mild detergent, warm water, and a good appliance wax (or good auto paste wax)	<ul style="list-style-type: none"> • Wash outside of cabinet. Do not use abrasive or harsh cleaners. • Wipe and dry thoroughly. • Wax painted metal surfaces at least twice a year. Apply wax with a clean, soft cloth. Waxing painted metal surfaces provides rust protection. Do not wax plastic parts.
Inside walls (allow freezer to warm up so cloth won't stick)	Sponge, soft cloth, or paper towel with baking soda or mild detergent and warm water	<ul style="list-style-type: none"> • Wash with mixture of warm water and: <ul style="list-style-type: none"> – mild detergent, or – baking soda (2 tbs to 1 qt [26 g to .95 L] of water). • Wipe and dry thoroughly.
Door liners and gaskets	Sponge, soft cloth, or paper towel with mild detergent and warm water	<ul style="list-style-type: none"> • Wash, wipe, and dry thoroughly. <p>DO NOT USE cleaning waxes, concentrated detergents, bleaches, or cleaners containing petroleum on plastic parts.</p>

continued on next page

CARING FOR YOUR REFRIGERATOR

PART	WHAT TO USE	HOW TO CLEAN
Plastic parts (covers and panels)	Soft, clean sponge or soft, clean cloth with mild detergent and warm water	<ul style="list-style-type: none"> • Wash, wipe, and dry thoroughly. <p>DO NOT USE paper towels, window sprays, scouring cleansers, or flammable fluids. These can scratch or damage material. See “Important Safety Instructions” on page 3.</p>
Defrost pan	Sponge or cloth with mild detergent and warm water	<ul style="list-style-type: none"> • Remove base grille. (See page 20.) • Reach into small opening at right edge and remove the defrost pan. • Wash, rinse, and dry thoroughly. • Replace defrost pan. Make sure to push it completely into the opening. • Replace base grille.
Condenser coils	Vacuum cleaner with extended narrow attachment	<ul style="list-style-type: none"> • Remove base grille. • Vacuum coils when dusty or dirty. Coils may need to be cleaned as often as every other month. • Replace base grille.

Vacation and moving care

Short vacations

No need to shut off the refrigerator if you will be away for less than four weeks.

1. Use up any perishables.
2. Freeze other items.
3. If your refrigerator has an automatic ice maker:
 - Raise signal arm to OFF (up) position.
 - Shut off water supply to the ice maker.

3. Unplug the refrigerator.
4. Clean it, wipe, and dry well.
5. Tape rubber or wood blocks to the tops of both doors to prop them open far enough for air to get in. This stops odor and mold from building up.

To restart refrigerator, see page 7.

Long vacations

If you will be gone a month or more:

1. Remove all food from the refrigerator.
2. If your refrigerator has an automatic ice maker:
 - Turn off the water supply to the ice maker at least one day ahead of time.
 - When the last load of ice drops, turn off the ice maker. Make sure all ice is dispensed out of the ice maker mechanism.

Moving

When you are moving the refrigerator to a new home:

1. If your refrigerator has an automatic ice maker:
 - Turn off the water supply to the ice maker at least one day ahead of time.
 - Disconnect the water line.
 - After the last load of ice drops, lift the signal arm to the OFF (up) position.
2. Remove all food from the refrigerator.
3. Pack all frozen food in dry ice.
4. Unplug the refrigerator.
5. Clean it thoroughly. Wipe well and dry.
6. Take out all removable parts, wrap them well, and tape them together so they don't shift and rattle.
7. Screw in the leveling rollers.
8. Tape the doors shut and tape the power supply cord to the cabinet.

When you get to your new home, put everything back and refer to page 5. Also, if your refrigerator has an automatic ice maker, remember to reconnect the water supply line.

Power interruptions

If electricity goes off, call the power company. Ask how long power will be off.

1. If service will be interrupted 24 hours or less, **keep both doors closed**. This helps foods stay frozen.
2. If service will be interrupted longer than 24 hours:
 - (a) Remove all frozen food and store in a frozen food locker.

OR

- (b) Place 2 lbs. (900 g) of dry ice in freezer for every cubic foot (liter) of freezer space. This will keep food frozen for 2 to 4 days. Wear gloves to protect your hands from dry ice burns.

OR

- (c) If neither a food locker nor dry ice is available, use or can perishable food at once.

3. A full freezer stays cold longer than a partly filled one. A freezer full of meat stays cold longer than a freezer full of baked goods. If food contains ice crystals, it may be safely refrozen, although the quality and flavor may be affected. If the condition of the food is poor, or if you feel it is unsafe, dispose of it.

Questions?

Call our Consumer Assistance Center telephone number from anywhere in the U.S.A., **1-800-253-1301**.

Food Storage Guide

There is a correct way to package and store refrigerated or frozen food. To keep food fresher, longer, take the time to study these recommended steps.

Storing fresh food

Wrap or store food in the refrigerator in airtight and moisture-proof material. This prevents food odor and taste transfer throughout the refrigerator. For dated products, check code date to ensure freshness.

Leafy vegetables

Remove store wrapping and trim or tear off bruised and discolored areas. Wash in cold water and drain. Place in plastic bag or plastic container and store in crisper.

Vegetables with skins

(carrots, peppers)

Store in crisper, plastic bags, or plastic container.

Fruit

Wash, let dry, and store in refrigerator in plastic bags or crisper. Do not wash or hull berries until they are ready to use. Sort and keep berries in original container in a crisper, or store in a loosely closed paper bag on a refrigerator shelf.

Eggs

Store without washing in original carton on interior shelf. On some models, an egg storage container is provided for your convenience.

Milk

Wipe milk cartons. For best storage, place milk on interior shelf.

Butter or margarine

Keep opened butter in a covered dish or closed compartment. When storing an extra supply, wrap in freezer packaging and freeze.

Cheese

Store in the original wrapping until you are ready to use it. Once opened, rewrap tightly in plastic wrap or aluminum foil.

Leftovers

Cover leftovers with plastic wrap or aluminum foil. Plastic containers with tight lids can also be used.

Meat

Store most meat in original wrapping as long as it is airtight and moisture-proof. Rewrap if necessary. See the following for storage times. When storing meat longer than the times given, freeze the meat.

Chicken	1-2 days
Bacon	5-7 days
Ground beef	1-2 days
Cold cuts	3-5 days
Steaks/roasts	3-5 days
Variety meats	1-2 days
Cured meats	7-10 days

NOTE: Use fresh fish and shellfish the same day as purchased.

Storing frozen food

The freezer section is designed for storage of commercially frozen food and for freezing food at home.

NOTE: For further information about preparing food for freezing or food storage times, check a freezer guide or reliable cookbook.

Packaging

The secret to successful freezing is in the packaging. The way you close and seal the package must not allow air or moisture in or out. Packaging done in any other way could cause food odor and taste transfer throughout the refrigerator and drying of frozen food.

Packaging recommended for use:

- Rigid plastic containers with tight-fitting lids
- Straight-sided canning/freezing jars
- Heavy-duty aluminum foil
- Plastic-coated paper
- Non-permeable plastic wraps (made from saran film)

Follow package or container instructions for proper freezing methods.

Do not use:

- Bread wrappers
- Non-polyethylene plastic containers
- Containers without tight lids
- Wax paper
- Wax-coated freezer wrap
- Thin, semi-permeable wrap

The use of these wrappings could cause food odor, taste transfer, and drying of frozen food.

Freezing

Do not expect your freezer to quick-freeze any large quantity of food. Put no more unfrozen food into the freezer than will freeze within 24 hours (no more than 2-3 lbs. of food per cubic foot [900-1,350 g per liter] of freezer space). Leave enough space for air to circulate around packages. Be careful to leave enough room at the front so the door can close tightly.

Storage times will vary according to the quality of the food, the type of packaging or wrap used (airtight and moisture-proof), and the storage temperature, which should be 0°F (-17.8°C).

Troubleshooting

Performance problems often result from little things you can fix without tools. Please read through "Before calling for assistance ..." below before calling for service on your appliance.

Before calling for assistance ...

Listed in this chart are the most common problems consumers run into with their appliances. Please read through this and see if it can solve your problem.

PROBLEM	CHECK THE FOLLOWING
Your refrigerator will not operate	Is the power supply cord firmly plugged into a live circuit with proper voltage? Has a household fuse or circuit breaker blown/tripped? Is the Refrigerator Control set to the OFF position?
The lights do not work	Is the power supply cord firmly plugged into a live circuit with proper voltage? Has a household fuse or circuit breaker blown/tripped? Is a bulb burned out?
The ice maker does not work	Is the freezer cold enough to make ice? It could take overnight for the freezer to reach the proper temperature. Is the ON/OFF lever in the ON (down) position? (See page 14.) Is the water valve turned on? Does the water line have a clog or leak?
Unfamiliar sounds or a rattling/jingling noise	Is something on top of or behind the refrigerator? Some new sounds are normal. See "Understanding the sounds you may hear" on page 22.
There is water in the defrost pan	This is normal on hot, muggy days. Make sure the refrigerator is level so the pan does not overflow.
The motor seems to run too much	Are the condenser coils dirty? Has the door been opened often? Has a large amount of food been added at one time? The motor naturally runs longer if these things happen. Is the room hot? If the room is too warm, the motor runs longer to keep the unit cool.

Requesting Assistance or Service

Before calling for assistance or service, please check "Troubleshooting" on page 28. It may save you the cost of a service call. If you still need help, follow the instructions below.

For assistance or service in the U.S.A.:

1. If you need assistance† ...

Call the Whirlpool Consumer Assistance Center telephone number. Dial toll-free from anywhere in the U.S.A.:



1-800-253-1301

and talk with one of our trained consultants. The consultant can instruct you in how to obtain satisfactory operation from your appliance or, if service is necessary, recommend a qualified service company in your area.

If you prefer, write to:

Mr. William Clark
Consumer Assistance Representative
Whirlpool Corporation
2000 North M-63
Benton Harbor, MI 49022-2692

Please include a daytime phone number in your correspondence.

2. If you need service† ...

Whirlpool has a nationwide network of authorized Whirlpool service companies. Whirlpool service technicians are trained to fulfill the product warranty and provide after-warranty service, anywhere in the United States. To locate the authorized Whirlpool service company in your area, call our Consumer Assistance Center telephone number (see Step 1) or look in your telephone directory Yellow Pages under:



• **APPLIANCE-HOUSEHOLD-MAJOR, SERVICE & REPAIR**
-See: Whirlpool Appliances or Authorized Whirlpool Service
(Example: XYZ Service Co.)

• **REFRIGERATORS & FREEZERS, SERVICE & REPAIR**
-See: Whirlpool Appliances or Authorized Whirlpool Service
(Example: XYZ Service Co.)

3. If you need FSP* replacement parts ...

FSP is a registered trademark of Whirlpool Corporation for quality parts. Look for this symbol of quality whenever you need a replacement part for your WHIRLPOOL* appliance. FSP replacement parts will fit right and work right, because they are made to the same exacting specifications used to build every new WHIRLPOOL appliance.

To locate FSP replacement parts in your area, refer to Step 2 or call the Whirlpool Consumer Assistance Center number in Step 1.

4. If you are not satisfied with how the problem was solved ...

- Contact the Major Appliance Consumer Action Program (MACAP). MACAP is a group of independent consumer experts that voices consumer views at the highest levels of the major appliance industry.
- Contact MACAP only when the dealer, authorized servicer, and Whirlpool have failed to resolve your problem.

Major Appliance Consumer Action Program
20 North Wacker Drive
Chicago, IL 60606

- MACAP will in turn inform us of your action.

† When asking for help or service:

Please provide a detailed description of the problem, your appliance's complete model and serial numbers, and the purchase date. (See page 2.) This information will help us respond properly to your request.

NOTES

ESTATE*

Refrigerator Warranty (U.S.A. only)

LENGTH OF WARRANTY	WHIRLPOOL WILL PAY FOR
FULL ONE-YEAR WARRANTY From Date of Purchase	FSP* replacement parts and repair labor to correct defects in materials or workmanship. Service must be provided by an authorized Whirlpool service company.
FULL FIVE-YEAR WARRANTY From Date of Purchase	FSP replacement parts and repair labor to correct defects in materials or workmanship in the sealed refrigeration system. These parts are: <ol style="list-style-type: none"> 1. Compressor 2. Evaporator 3. Condenser 4. Drier 5. Connecting tubing Service must be provided by an authorized Whirlpool service company.
WHIRLPOOL WILL NOT PAY FOR	
A. Service calls to: <ol style="list-style-type: none"> 1. Correct the installation of your refrigerator. 2. Instruct you how to use your refrigerator. 3. Replace house fuses or correct house wiring or plumbing. 4. Replace light bulbs. B. Repairs when your refrigerator is used in other than normal, single-family household use. C. Pickup and delivery. Your refrigerator is designed to be repaired in the home. D. Damage to your refrigerator caused by accident, misuse, fire, flood, acts of God, or use of products not approved by Whirlpool. E. Any food loss due to product failure. F. Repairs to parts or systems caused by unauthorized modifications made to the appliance.	

6/94

WHIRLPOOL CORPORATION SHALL NOT BE LIABLE FOR INCIDENTAL OR CONSEQUENTIAL DAMAGES. Some states do not allow the exclusion or limitation of incidental or consequential damages, so this exclusion or limitation may not apply to you. This warranty gives you specific legal rights, and you may also have other rights which vary from state to state.

Outside the United States, a different warranty may apply. For details, please contact your authorized Whirlpool dealer.

If you need service, first see the "Troubleshooting" section of this book. After checking "Troubleshooting," additional help can be found by checking the "Requesting Assistance or Service" section, or by calling our Consumer Assistance Center telephone number, **1-800-253-1301**, from anywhere in the U.S.A.

2194182

© 1996 Whirlpool Corporation

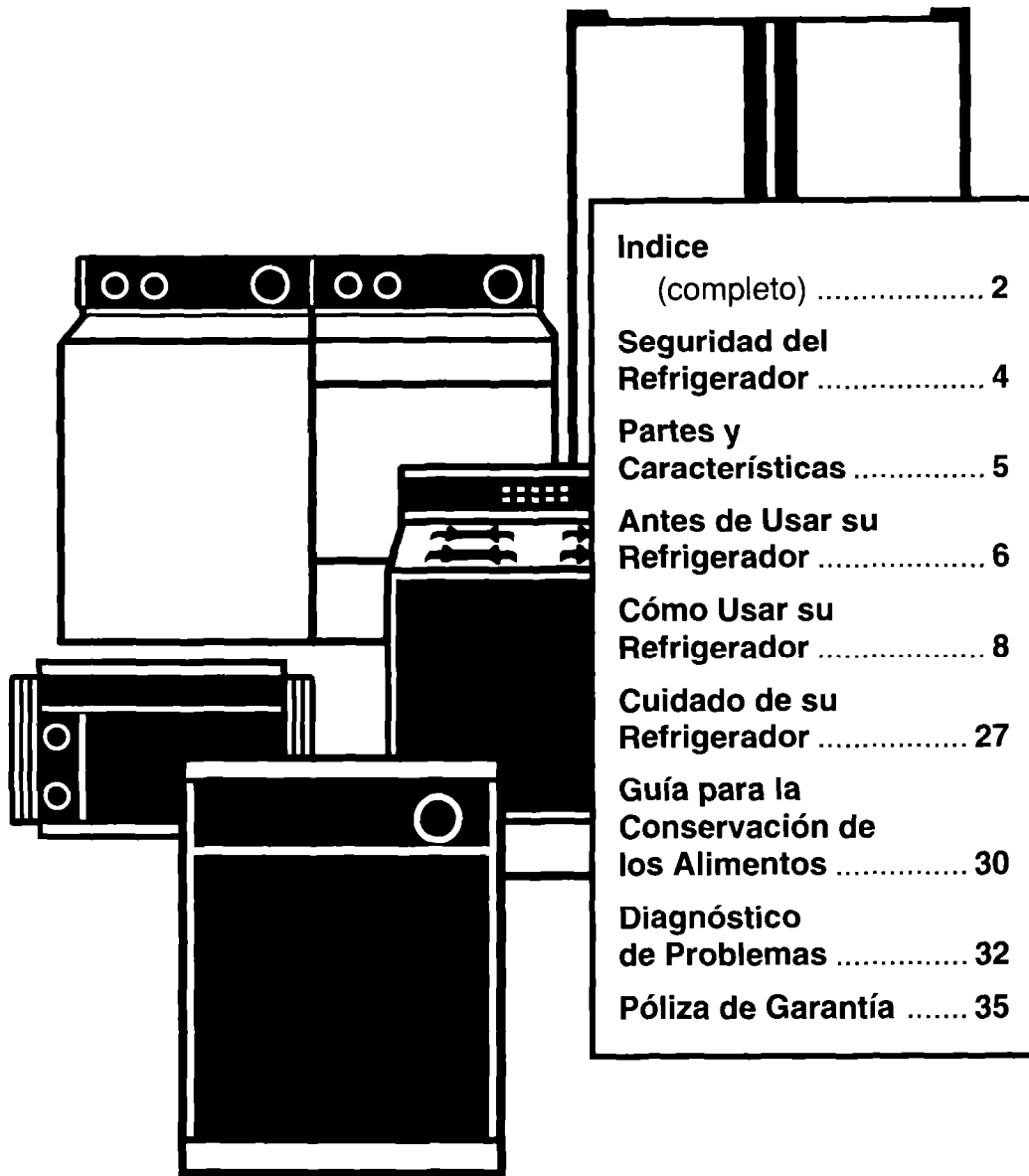
* Registered Trademark/TM Trademark of Whirlpool, U.S.A.

2/96



MANUEL DE

Uso y Manejo



REFRIGERADORES QUE NO HACEN ESCARCHA

Indice

Lo invitamos a leer éste manual de uso y manejo antes de utilizar su refrigerador ESTATE. Es muy importante seguir ésta información con el objeto de hacer un uso seguro y apropiado de su aparato.

	Página		Página
Seguridad del Refrigerador	4	Cómo ajustar el anaquel del congelador	13
Partes y Características	5	Cómo usar el despachador de hielo y agua THIRSTCRUSHER*	14
Antes de Usar su Refrigerador	6	Cómo usar el fabricante automático de hielo	17
Cómo Usar su Refrigerador	8	Para quitar el recipiente para hielo	19
Cómo poner en posición los controles	8	Conexión de la fábrica de hacer hielo al suministro de agua	20
Cómo cambiar la posición de los controles	9	Cómo quitar la rejilla de la base	23
Cómo quitar el anaquel de presión de la puerta	10	Cómo cambiar los focos	24
Cómo quitar el anaquel movable de la puerta	10	Sonidos provenientes de su refrigerador	25
Cómo ajustar las parrillas del refrigerador	11	Ahorro de energía	26
Cómo quitar el cajón para carne y la tapa	11	Cuidado de su Refrigerador	27
Para ajustar la temperatura del cajón para carnes	12	Guía para la Conservación de los Alimentos	30
Cómo quitar el cajón para legumbres y la tapa	12	Diagnóstico de Problemas	32
Cómo quitar el recipiente del congelador	13	Póliza de Garantía	35

IMPORTADO POR:

Vitromatic Comercial, S.A. de C.V.
 Ave. San Nicolás 2121 Nte.
 Col. 1o. de Mayo
 Monterrey, N.L. México
 Tel. 329-22-00

FABRICADO POR:

Whirlpool Corporation
 Benton Harbor, Michigan
 E.U.A.

AVISO IMPORTANTE

Estimado Cliente: Para que la conexión de su aparato se efectúe a la mayor brevedad y sin contratiempos, le recomendamos tener listos los siguientes requisitos.

REQUERIMIENTOS	REFRIGERADORES	REFRIGERADORES con fábrica de hielo
I. DE ENERGIA ELECTRICA		
Voltaje 127 Volts con fusible de 15 amperes	•	•
Contacto de 3 polos	•	•
Circuito individual para el aparato	•	•
Regulador de voltaje	•	•
II. DE AGUA		
Toma de agua fría		•
III. MATERIALES PARA INSTALACION DE AGUA		
Unión "T" de 1,27 cm a 0,635 cm (1/2" a 1/4")		•
Tubo de cobre de 0,635 cm (1/4") en espiral (según distancia)		•
FILTRO DE AGUA WHIRLPOOL		•
3 tuercas campana de 0,635 cm (1/4")		•

NOTA: La conexión de su aparato por el Centro de Servicio no incluye instalación de fontanería, albañilería, cableado eléctrico.

ESPECIFICACIONES TECNICAS

Potencia nominal: 8.5 A

Frecuencia de operación: 60 Hz.

Tension de alimentacion: 127 Volts

Seguridad del Refrigerador

Su seguridad es importante para nosotros.

Esta guía contiene declaraciones bajo símbolos de advertencia. Por favor ponga atención especial a estos y siga cualquier instrucción proporcionada. Aquí está una explicación rápida de el uso de este símbolo.



Este símbolo lo alertará y dará explicación para evitar peligros como incendio, choque eléctrico, o otros lesiones.

INSTRUCCIONES IMPORTANTES DE SEGURIDAD

! ADVERTENCIA

Para reducir el riesgo de incendio, choque eléctrico o lesión cuando use su refrigerador, siga estas precauciones básicas:

- Lea todas las instrucciones antes de usar el refrigerador.
- Los niños que se asfixian o quedan atrapados dentro de un refrigerador no son problemas del pasado. Los refrigeradores que son abandonados o desechados aún constituyen un peligro ... aún si se "dejan en el garaje por sólo unos días."
Si usted va a descartar su refrigerador antiguo, hágalo de manera segura. Lea el folleto sobre seguridad que se adjunta publicado por la Asociación de Fabricantes de Aparatos Domésticos. Ayude a evitar accidentes.
- Nunca permita que los niños hagan funcionar, jueguen o se escondan en el interior del refrigerador.
- Nunca limpie las piezas del refrigerador con líquidos inflamables. Los vapores pueden causar incendios o explosiones.

• PARA SU SEGURIDAD •

NO ALMACENE O USE GASOLINA Y LIQUIDOS INFLAMABLES EN LA PROXIMIDAD DE ESTE O DE CUALQUIER OTRO ARTEFACTO. EXISTE EL PELIGRO DE QUE LOS VAPORES PROVOQUEN UN INCENDIO O UNA EXPLOSION.

– CONSERVE ESTAS INSTRUCCIONES –

Ayúdenos a ayudarle

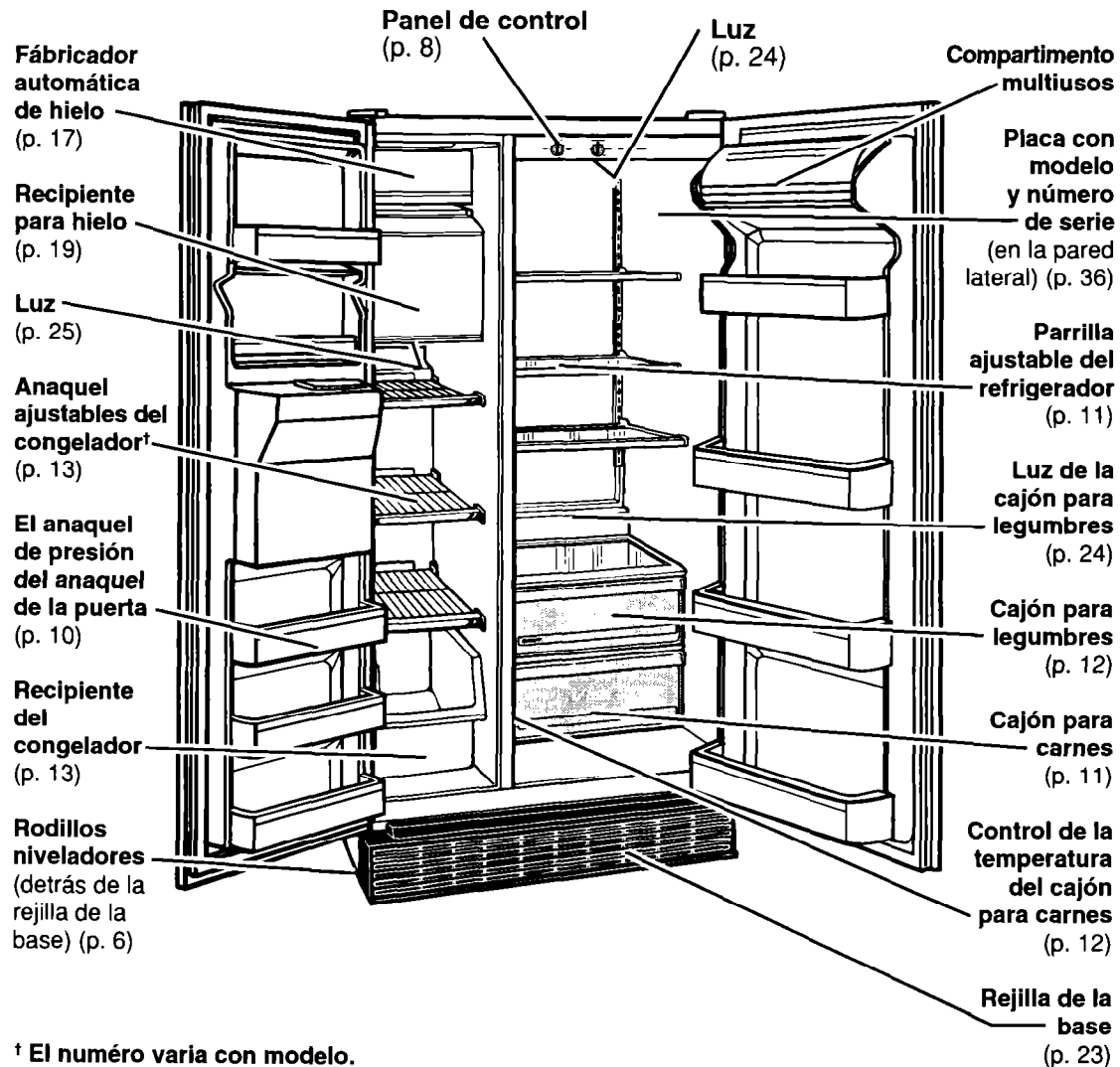
Le rogamos seguir las siguientes recomendaciones:

- Instale y nivele el refrigerador en una superficie que pueda soportar su peso y en un área que sea adecuada para su tamaño y uso.
- No instale el refrigerador cerca de un horno, radiador u otra fuente de calor.
- No use el refrigerador en un área donde la temperatura ambiente puede ser inferior a 13°C (55°F).
- Mantenga el refrigerador protegido contra cambios de clima.
- Conecte el refrigerador solamente al tipo de tomacorriente adecuado, con la fuente de energía y debidamente aterrizado. (Consulte la hoja de instrucciones sobre los Requerimientos Eléctricos y Aterrizado.)
- No guarde alimentos en el refrigerador hasta que no esté completamente frío.
- Use el refrigerador de acuerdo a las instrucciones de este manual.
- Preocúpese del mantenimiento adecuado del refrigerador.
- Asegúrese de que el refrigerador no sea usado por alguna persona que no esté capacitada para hacerlo en forma debida.

Partes y Características

Esta sección contiene las ilustraciones y los nombres de las partes de su refrigerador. Uselas para familiarizarse con la ubicación, características y apariencia de las partes. Para su conveniencia, se han indicado también los números de las páginas correspondientes.

NOTA: El modelo que usted ha comprado puede tener todas o algunas de las partes y características que se muestran y puede que no coincida exactamente con la ilustración. Este manual abarca varios modelos.



Antes de Usar su Refrigerador

Es importante que prepare su refrigerador para usarlo. Esta sección le explica como limpiarlo, conectarlo a la fuente de energía, instalarlo y nivelarlo.

Limpieza de su refrigerador

Retire las etiquetas comerciales

Retire cualquier etiqueta interior (excepto la etiqueta con el número de modelo y de serie) antes de usar el refrigerador.

Como quitar los restos de goma:

- Frote fuertemente con el pulgar para formar una bolita y luego quítela.
-
- Humedezca el área con detergente líquido para lavar platos y luego quite la goma como se describió anteriormente. No use instrumentos afilados, alcohol, líquidos inflamables o limpiadores abrasivos. Estos pueden dañar el material. Ver "Instrucciones Importantes de Seguridad" en la página 4.

NOTA: No quite las etiquetas con instrucciones permanentes colocadas dentro del refrigerador. No quite la Ficha Técnica colocada bajo el refrigerador, en la parte delantera.

Limpieza antes del uso

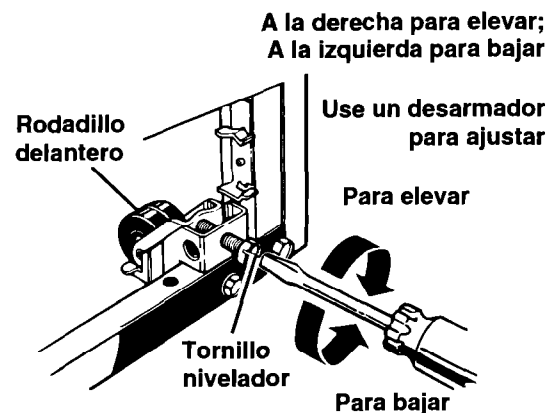
Después de quitar todos los materiales de empaque, limpie su refrigerador antes de usarlo, si es necesario. Vea las instrucciones de limpieza en la página 27.



Nivelación

Su refrigerador tiene dos tornillos niveladores, uno del lado derecho y otro del lado izquierdo. Para ajustar uno o ambos de estos tornillos, siga las instrucciones indicadas a continuación.

1. Retire la rejilla de la base. (Ver página 23.)
2. Para levantar la parte delantera, gire el tornillo a la derecha.
3. Para bajar la parte delantera, gire el tornillo a la izquierda.
4. Compruebe con un nivel de carpintero.
5. Vuelva a colocar la rejilla de la base. (Ver página 23.)



Cómo Enchufar su Refrigerador

⚠️ ADVERTENCIA



Peligro de Incendio

No use un cable eléctrico de extensión.

La falta de esta precaución puede causar la muerte, incendio o choque eléctrico.

⚠️ ADVERTENCIA



Peligro de Choque Eléctrico

Enchufe en una salida de puesta a tierra de 3 púas.

No quite la púa de puesta a tierra.

No use un adaptador.

La falta de estas precauciones puede causar la muerte o choque eléctrico.

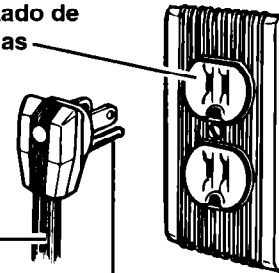
Método Recomendado para el Aterrizado

Se requiere una fuente de energía eléctrica de 127 Volts, 60 Hz., CA (~) solamente con fusibles de 15 o 20 amperes y debidamente aterrizado. Se recomienda que use un circuito separado exclusivo para este aparato. Use un tomacorriente que no pueda ser puesto fuera de circuito con un interruptor o con una cadena. No use un cordón de extensión.

Ver los Requerimientos Eléctricos y las Instrucciones para el Aterrizado incluidos en la documentación.

Tomacorriente aterrizado de pared con tres entradas

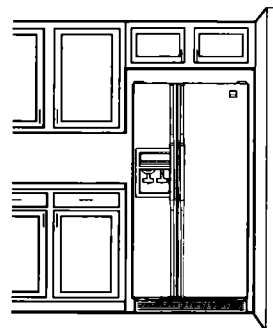
Cable de energía eléctrica del refrigerador



Clavija tripolar aterrizada

Instalación correcta

1. Deje un espacio de 1,25 cm ($\frac{1}{2}$ ') a cada lado y en la parte superior del refrigerador para facilitar la instalación.
2. Si el lado de las bisagras del refrigerador va estar contra una pared, usted debe dejar espacio adicional para abrir mejor la puerta.
3. La parte trasera del refrigerador puede quedar directamente contra la pared.



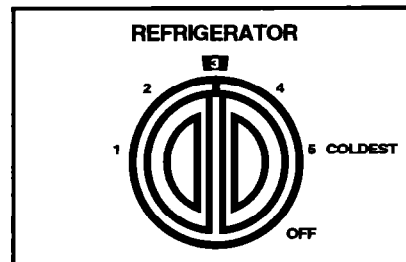
Cómo Usar su Refrigerador

Para obtener los mejores resultados posibles de su refrigerador, es importante que usted lo haga funcionar en forma debida. Esta sección le explica como ajustar los controles, como sacar y ajustar los componentes de su refrigerador y como ahorrar energía.

Cómo poner en posición los controles

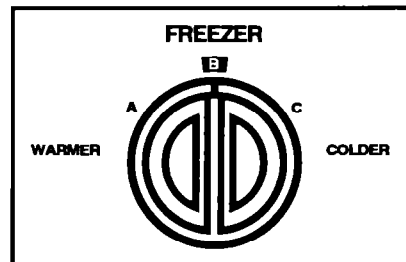
Los controles del refrigerador y congelador están en el interior del refrigerador. Al enchufar el refrigerador por primera vez:

1. **Coloque el Control del Refrigerador en el No. 3 (Nivel Recomendado).** Los niveles del control del refrigerador varían de 1 (lo menos frío) a 5 (lo más frío).



2. **Ajuste el Control del Congelador a la letra B (Nivel Recomendado).** Los niveles del control del congelador varían de A (lo menos frío) a C (lo más frío).

Espera hasta que el refrigerador se enfríe completa-mente antes de colocar alimentos. Esto puede llevar varias horas. Los niveles que se indican anteriormente son correctos para el uso doméstico normal del refrigerador. Los controles están ajustados a la temperatura correcta cuando la leche o el jugo está tan frío como a usted le agrada y cuando el helado está firme. Si necesita ajustar estos controles, consulte la sección "Como cambiar la posición de los controles" que se incluye a continuación.



NOTA: El control automático de humedad exterior protege de la humedad la parte exterior del refrigerador. Este control no tiene que graduarse.

Cómo cambiar la posición de los controles

Si usted necesita ajustar la temperatura en el refrigerador o en el congelador, use las posiciones que se indican en la tabla que se incluye a continuación.

- Ajuste primero el Control del Refrigerador.
- Espere por lo menos 24 horas entre cada ajuste.
- Luego ajuste el Control del Congelador, si es necesario.

PROBLEMA:	CAUSA:	POSICIÓN RECOMENDADA:	
		Refrigerador	Congelador
Interior del refrigerador demasiado caliente	<ul style="list-style-type: none"> • Se abre con frecuencia la puerta • Se agregaron demasiados alimentos • Temperatura ambiente demasiado caliente 	4	A
Interior del congelador demasiado caliente	<ul style="list-style-type: none"> • Se abre con frecuencia la puerta • Se agregaron demasiados alimentos • Temperatura ambiente demasiado fría (reducción del número de ciclos) 	3	C
Interior del refrigerador demasiado frío	<ul style="list-style-type: none"> • Ajuste incorrecto de los controles para las condiciones de su ambiente 	2	B
Fabricación lenta del hielo	<ul style="list-style-type: none"> • Uso frecuente del hielo • Temperatura ambiente demasiado fría (reducción del número de ciclos) 	3	C
Ambos compartimientos demasiado calientes	<ul style="list-style-type: none"> • Se abre con frecuencia la puerta • Se agregaron demasiados alimentos • Temperatura ambiente muy caliente o muy fría 	4	B

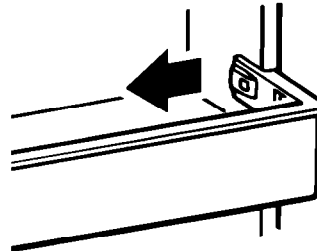
Cómo quitar el anaquel de presión de la puerta

(en algunos modelos)

Quite el anaquel de presión de la puerta para hacer la limpieza fácilmente.

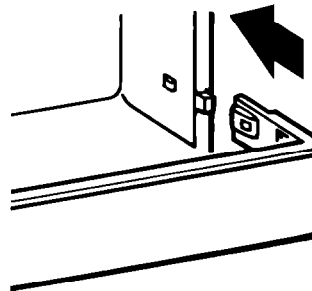
Para quitar el anaquel:

1. Saque todos los artículos que están en el compartimiento.
2. Tire hacia afuera de la lengüeta interior de cada extremo.
3. Levante el anaquel derecho hacia afuera.



Para colocar el anaquel:

1. Alinie los extremos del anaquel con los botones situados en la pared de la puerta.
2. Empuje el anaquel hacia atrás hasta que quede firmemente insertado en su lugar.
3. Vuelva a colocar los artículos del compartimiento.



Cómo quitar el anaquel movable de la puerta

(en algunos modelos)

Quite el anaquel movable de la puerta para hacer la limpieza fácilmente.

Para quitar el anaquel:

1. Saque todos los artículos que están en el anaquel.
2. Sujete ambos extremos y tire derecho hacia arriba.



Para colocar el anaquel:

1. Coloque cada extremo del anaquel sobre la ranura donde estaba insertado.
2. Empuje el anaquel derecho hacia abajo hasta el tope.
3. Vuelva a colocar los artículos en el anaquel.



Cómo ajustar las parrillas del refrigerador

Ajuste las parrillas de acuerdo a las necesidades de uso. Las parrillas de vidrio son lo suficientemente resistentes para sostener botellas, leche y otros alimentos pesados.

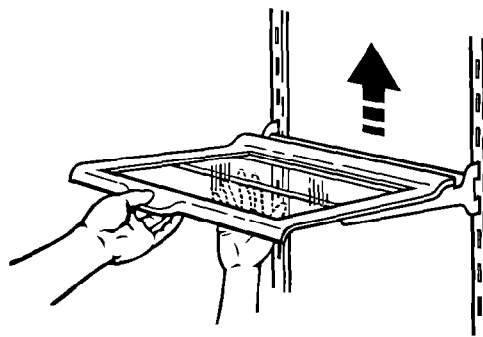
Parrillas tipo cantiliver

Como quitar la parrilla:

1. Retire todos los alimentos de la parrilla.
2. Levante el frente.
3. Levante la parte posterior.
4. Jale la parrilla con fuerza hacia afuera.

Como colocar la parrilla:

1. Coloque los ganchos posteriores dentro de las ranuras de los soportes ubicados en la pared posterior del refrigerador.
2. Levante el frente hasta que los ganchos estén dentro de las ranuras.
3. Baje el frente al nivel de posición.



NOTA: Las parrillas de cristal son pesadas. Manejelas con cuidado.

Cómo quitar el cajón para carne y la tapa

Para quitar el cajón para carnes:

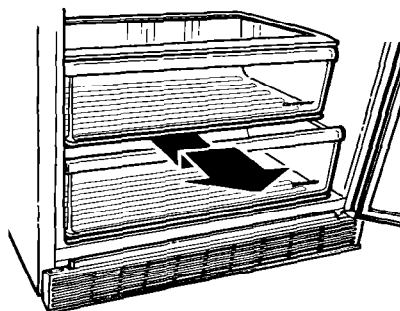
1. Deslicelo hacia afuera hasta que tope.
2. Levante el frente.
3. Deslicelo hacia afuera hasta que salga totalmente.
4. Vuelva a colocar en orden inverso.

Para quitar la tapa del cajón para carnes:

1. Incline el frente de la tapa hacia arriba.
2. Levante la parte posterior de la tapa.
3. Jale con fuerza hacia afuera.

Para colocar la tapa del cajón para carnes:

1. Coloque los ganchos posteriores de la tapa dentro de las ranuras de los soportes ubicados en la pared posterior del gabinete.
2. Incline la tapa hacia arriba y al frente hasta que los ganchos embonen dentro de las ranuras.
3. Baje el frente de la cubierta a la posición del nivel y reacomode el cajón para carnes.

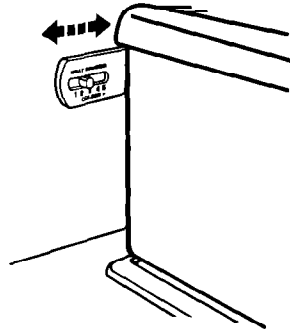


Jale hacia afuera hasta que tope, levante el frente y jale nuevamente

Para ajustar la temperatura del cajón para carnes

El aire frío entra al compartimiento de la carne. Esto ayuda a mantener el compartimiento de la carne más frío que el resto del refrigerador para mejor conservación de las carnes.

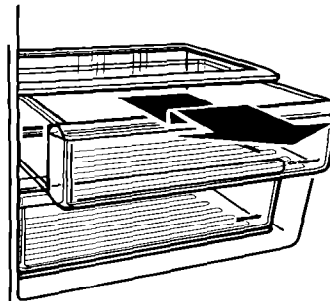
Deslice el control para dejar pasar más o menos aire frío.



Cómo quitar el cajón para legumbres y la tapa

Para quitar el cajón para verduras:

1. Deslice el cajón derecho hacia afuera hasta el tope.
2. Levante la parte delantera y deslice la gaveta completamente hacia afuera.
3. Vuelva a colocar en orden inverso.



Tire hasta el tope, levante la parte delantera y tire nuevamente.

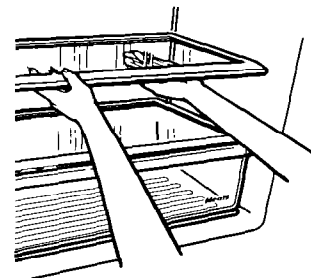
Para quitar la tapa:

1. Levante el vidrio de la tapa desde abajo, luego deslícelo hacia afuera con ambas manos.
2. Levante el marco de la tapa hacia arriba y hacia afuera.

Para volver a colocar la tapa:

1. Enganche la parte posterior del marco de la tapa en las ranuras de los soportes situados en la pared trasera del refrigerador.
2. Luego baje la parte delantera a su lugar.

Saque el vidrio de la tapa. Levante la parte delantera de la tapa, luego la trasera.



NOTA: Manipule el vidrio con cuidado. Es pesado.

Cómo quitar el recipiente del congelador

Para quitar el recipiente/la canasta:

1. Jale el recipiente hasta el tope.
2. Levante la parte delantera para dejar libre el tope.
3. Deslice el recipiente completamente hacia afuera.

Para volver a colocar el recipiente/la canasta:

1. Coloque el recipiente en las correderas.
2. Asegúrese de que el alambre del tope no obstruya la parte delantera de las correderas.
3. Deslice el recipiente completamente hacia adentro.

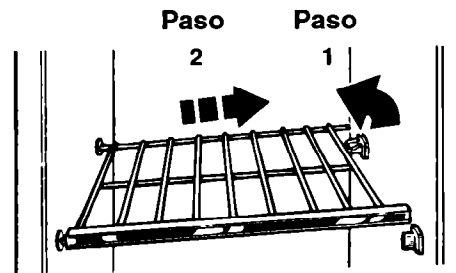
Jale hasta el tope, levante la parte delantera, y jale nuevamente.



Cómo ajustar el anaquel del congelador

Para sacar el anaquel:

1. Levante el lado derecho del anaquel y fuera de los apoyos del anaquel.
2. Deslice el anaquel fuera de las cavidades de apoyo.
3. Vuelva a colocar en el orden inverso.



Cómo usar el despachador de hielo Y agua THIRSTCRUSHER*

El despachador de hielo

El hielo se obtiene del recipiente de la fábrica automático de hielo en el congelador. Cuando usted oprime la barra del despachador, se abre una escotilla en un canal entre el despachador y el recipiente para el hielo. El hielo se desliza por el recipiente y cae por el canal. Cuando se suelta la barra del despachador y se cierra la escotilla, se puede escuchar un zumbido por uno segundos. El despachador no funciona cuando la puerta del congelador está abierta.

Para obtener hielo picado, los cubos de hielo son triturados antes de ser despachados. Esto puede retrasar un poco la distribución de hielo picado. Es normal que el triturador de hielo haga ruido, y los trozos de hielo pueden tener diferentes tamaños.

Cuando usted pasa de la posición de hielo PICADO ("CRUSHED") a la posición de hielo en CUBOS ("CUBED"), caen unas pocas onzas de hielo picado junto con el hielo en cubos.

Para despachar hielo:

1. **Para obtener hielo en cubos**, mueva el Interruptor de Selección de Hielo a la posición de "CUBED."

Para obtener hielo picado, mueva el Interruptor de Selección de Hielo a la posición de "CRUSHED."

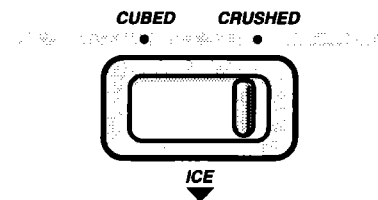
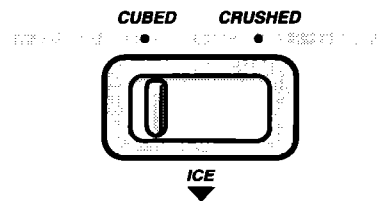
⚠ ADVERTENCIA



Peligro de Cortaduras

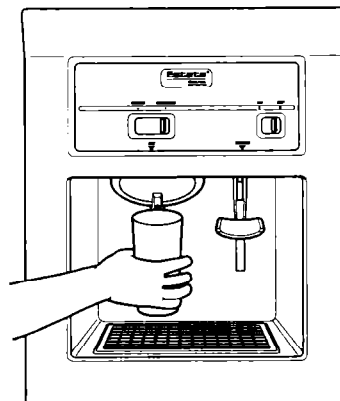
Use un vaso resistente para recibir hielo o agua del distribuidor.

La falta de esta precaución puede causar cortaduras.



2. Oprima un vaso **resistente** contra la barra del despachador de hielo. Sostenga el vaso junto al orificio del despachador para que el hielo no caiga fuera del vaso.
3. Retire el vaso para interrumpir la distribución.

NOTA: Los primeros lotes de hielo pueden tener sabor desagradable, debido a las tuberías y piezas nuevas. No use los primeros lotes. Asimismo, cuando necesite grandes cantidades de hielo, obténgalas del recipiente para el hielo, no a través del despachador.



El despachador de agua

El agua helada proviene de un depósito situado detrás del compartimiento de la carne. Su capacidad es aproximadamente 1,5 litros (1 y medio cuartos de galón).

Cuando el refrigerador es conectado por primera vez, oprima la barra del despachador de agua con un vaso o jarro hasta que saque y descarte 1,9 a 2,8 litros (2 o 3 cuartos de galón). El agua que usted saca y descarta enjuaga el depósito y las tuberías.

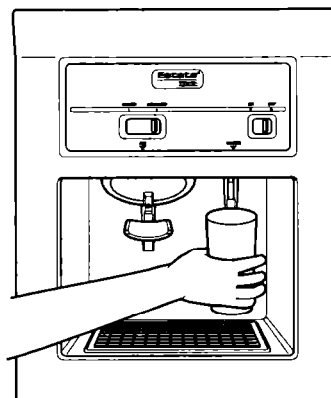
Se demora varias horas en enfriar un nuevo depósito lleno.

NOTA: La bandeja pequeña situada bajo el despachador del agua está diseñada para evaporar los derrames **pequeños**. Esta bandeja no tiene desagüe. **No** vacíe agua en ella.

Para sacar agua:

1. Oprima un vaso **resistente** contra la barra del distribuidor de agua.
2. Retire el vaso para detener la salida de agua.

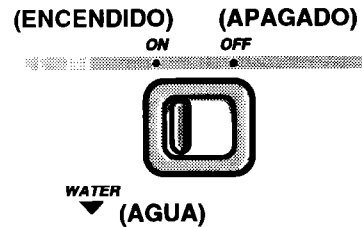
NOTA: Haga salir suficiente agua cada semana a fin de mantener un suministro fresco.



CÓMO USAR SU REFRIGERADOR

La luz del despachador

Para encender la luz nocturna, mueva el interruptor de LUZ ("LIGHT") del despachador hacia la izquierda. Vea las instrucciones para cambiar el foco del despachador en la página 25.



Solución de problemas comunes de los despachadores de hielo

PROBLEMA	CAUSA/SOLUCION POSIBLE
El despachador del hielo no funciona	<ul style="list-style-type: none">• La puerta del congelador está abierta.• El depósito del hielo no está bien instalado. Asegúrese de que el depósito está empujado bien hacia adentro.• Hielo incorrecto en el depósito. Use solamente hielo del despachador de hielo. Ocasionalmente sacuda el depósito para separar los cubos y aumentar el espacio de almacenamiento.• El despachador no ha sido usado durante un período prolongado, lo cual permite que los cubos se descongelen juntos. Descarte el hielo antiguo y haga hielo nuevo.
El distribuidor del hielo no trabaja	<ul style="list-style-type: none">• Se oprimió la barra del despachador durante mucho tiempo. Espere unos 3 minutos para que el motor del despachador se repositone.• Se deben sacar grandes cantidades de hielo del depósito, no a través del despachador.

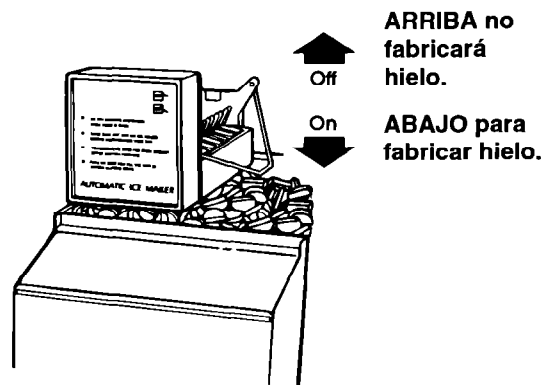
Cómo usar el fabricante automático de hielo

Se incluye cierta información que usted debe saber.

- La palanca ON/OFF es un brazo de control eléctrico.
 Cuando está en la posición HACIA ABAJO (on/ encendido) la máquina hace hielo automáticamente.
 Cuando está en la posición HACIA ARRIBA (off/ apagado) la máquina queda desconectada.

NOTA: No ponga en marcha el fabricante de hielo hasta que no haya sido conectado al suministro de agua.

- Es normal que los cubos de hielo estén unidos en una de las esquinas pero se separan fácilmente.
- El fabricante de hielo no funciona hasta que el congelador esté lo suficientemente frío para hacer hielo. Esto puede tomar toda la noche.
- Si usted saca el recipiente para hielo, levante la palanca para desconectar el fabricante. Cuando vuelva a colocar el recipiente, empújelo hasta adentro y baje la palanca a la posición ON (encendido).
- Para obtener hielo de buena calidad es necesario que el agua sea también de buena calidad. Se recomienda no conectar el fabricante de hielo a un suministro de agua suave. Los productos químicos del suavizante del agua (tal como la sal proveniente de un suavizante que esté funcionando mal) pueden dañar el molde del fabricante de hielo y producir hielo de mala calidad. Si usted no puede evitar usar un suministro de agua suave, asegúrese de que el suavizante del agua esté funcionando debidamente y sea bien mantenido.



Solución a problemas comunes del fabricante de hielo y distribuidor

PROBLEMA	POSIBLE CAUSA/SOLUCION
Los cubos de hielo se unen en las esquinas	<ul style="list-style-type: none">• Esto es normal. Se separan fácilmente. Agite el recipiente ocasionalmente para mantener los cubos separados.
La fábrica de hielo no funciona o la fabricación es lenta	<ul style="list-style-type: none">• La palanca de ON/OFF (encendido/apagado) está en la posición OFF (HACIA ARRIBA). Baje la palanca a la posición ON (HACIA ABAJO).• El congelador no está bastante frío. Ajuste los controles de la temperatura y espere 24 horas. (Ver "Cómo cambiar la posición de los controles" en la página 9.)
Olor y sabor desagradable del hielo	<ul style="list-style-type: none">• Las conexiones de la tubería nueva pueden hacer que el hielo tenga olor o sabor desagradable. No use los primeros lotes de hielo.• Los cubos no están frescos. Descártelos y haga nuevos cubos de hielo.• Los alimentos en el congelador no están debidamente envueltos. Ver página 31.• El congelador y el depósito del hielo necesitan limpieza. Ver página 27.• El agua puede contener minerales (como el azutre). Puede que necesite un filtro para quitarlos.
El distribuidor de hielo no funciona.	<ul style="list-style-type: none">• La puerta del congelador está abierta.• El recipiente para hielo no ha sido instalado debidamente. Asegúrese de empujar el recipiente completamente hacia adentro.• El recipiente no contiene el hielo adecuado. Use solamente hielos en forma de media luna provenientes del fabricante de hielo. Agite el recipiente ocasionalmente para separar los cubos y aumentar el espacio para el hielo.• El distribuidor no ha sido usado por mucho tiempo, por lo que los cubos de hielo se han derretido juntos. Tire el hielo viejo y haga un nuevo lote.
El distribuidor de hielo deja de funcionar.	<ul style="list-style-type: none">• La barra del distribuidor de hielo ha estado hacia abajo durante mucho tiempo. Espere unos 3 minutos para que el motor del distribuidor se reajuste.• Cuando desee sacar grandes cantidades de hielo, hágalo directamente del recipiente, no a través del distribuidor.

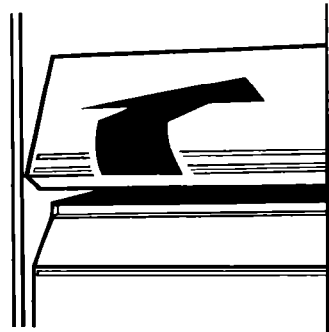
Para quitar el recipiente para hielo

Quitar, vaciar y limpiar el recipiente para hielo:

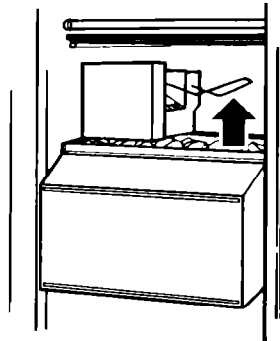
- Si el despachador de hielo no ha sido usado o no será usado por una semana o más.
- Si una falla en la energía eléctrica ocasiona que el hielo en el recipiente se derrita y se pegue.
- Si el despachador de hielo no se usa con frecuencia.

Para quitar el recipiente para hielo:

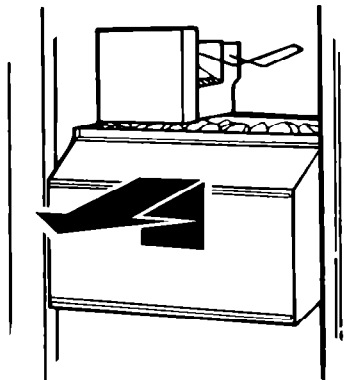
1. Levante el panel que lo cubre y deslícelo hacia atrás.



2. Levante el brazo a que quede en la posición APAGADO (OFF). El hielo aún podrá ser despachado, pero ya no se producirá más.



3. Levante el frente del recipiente, jale hacia afuera.
4. Vacíe el recipiente. Si es necesario, use agua caliente o tibia para derretir el hielo. **Nunca use utensilios filosos** para quebrar el hielo en el recipiente. Esto puede dañar el recipiente y mecanismo despachador.
5. Lave con un detergente suave. Enjuague bien. No use limpiadores, solventes fuertes o abrasivos.
6. Al colocar de nuevo el recipiente, asegúrese de empujarlo hasta adentro. Baje el brazo a la posición ENCENDIDO (ON) para reiniciar la producción de hielo.



Conexión de la fábrica de hacer hielo al suministro de agua

Lea cuidadosamente todas las instrucciones antes de comenzar.

⚠ ADVERTENCIA



Peligro de Choque Eléctrico

Desconecte la energía eléctrica hacia el refrigerador antes de la instalación.

La falta de esta precaución puede causar la muerte o choque eléctrico.

IMPORTANTE:

- Use tubería de cobre solamente y verifique si hay escapes.
- Instale la tubería de la fábrica de hielo en lugares donde las temperaturas serán superiores a la temperatura de congelación.

Herramientas necesarias:

- Desarmador estándar
- Llaves de boca de 1,11 cm y 1,27 cm ($\frac{7}{16}$ " y $\frac{1}{2}$ ") o 2 llaves ajustables
- Llave de tuerca de 0,635 cm ($\frac{1}{4}$ ")
- Broca de taladro de 0,635 cm ($\frac{1}{4}$ ")
- Taladro manual o taladro eléctrico (debidamente puesto a tierra)

NOTA: Su distribuidor de aparatos eléctricos tiene disponible un paquete con una válvula de cierre de silla de 0,635 cm ($\frac{1}{4}$ "), una unión y tubería de cobre. Antes de adquirirla asegúrese de que la válvula de silla cumple los códigos de plomería locales. No utilice una válvula de tipo perforante o una válvula de silla de 0,476 cm ($\frac{3}{16}$ ") pulgadas pues reduce el flujo de agua y se obstruye más fácilmente.

Suministro de agua fría

La válvula del agua de la fábrica de hielo está provista de una arandela de flujo que se usa como un regulador de la presión del agua. La fábrica de hielo debe ser conectada a una tubería de agua fría con límites de presión del agua de 138-827 k Pa (20-120 lbs/pulg²). Si se produce algún problema llame a su compañía de agua potable.

IMPORTANTE:

- Su fábrica de hielo puede demorar hasta 24 horas en comenzar a producir hielo.
- Si se usa el refrigerador antes de instalar la conexión del agua, coloque la fábrica de hielo en la posición OFF (apagado) para evitar que funcione sin agua.
- Todas las instalaciones deben ser hechas de acuerdo con los códigos de plomería local.

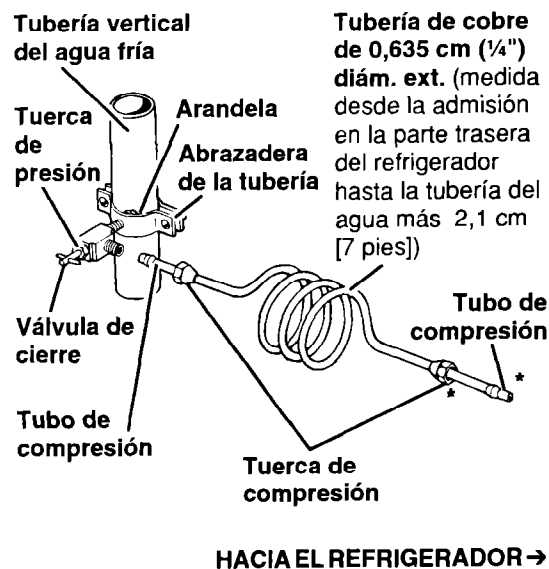
**LA INSTALACION NO ES
GARANTIZADA POR EL FABRICANTE
DEL REFRIGERADOR O DE LA
FABRICA DE HIELO**

Conexión de la tubería del agua

1. Busque una tubería vertical de agua FRÍA de 1,27cm a 0,635 (1/2" a 1/4") cerca del refrigerador.

NOTA: Una tubería horizontal puede servir, pero se debe tomar las siguientes precauciones: Taladre en el lado superior de la tubería, no en la parte inferior. Esto ayudará a mantener el agua alejada del taladro. Esto además evita que se acumule sedimento normal en la válvula.

2. Mida desde la conexión en la parte trasera del refrigerador hasta la tubería del agua. Agregue 2,1 m (7 pies) más para permitir que el refrigerador pueda moverse cuando se hace la limpieza. Este es el largo de la tubería de cobre de 0,635 cm (1/4") de diámetro exterior que necesitará para el trabajo (medido desde la conexión a la tubería del agua más 2,1 m [7 pies]). Asegúrese de que ambos extremos de la tubería de cobre estén cortados derechos.
3. CORTE el suministro de agua principal. ABRA la llave de agua más cercana durante un tiempo suficiente para que la tubería quede totalmente sin agua.
4. Usando un taladro puesto a tierra, taladre un orificio de 0,635 cm (1/4") en la tubería del agua fría que usted haya seleccionado.
5. Instale la válvula de cierre en la tubería de agua fría con la abrazadera. Asegúrese de que el extremo de la salida esté firmemente insertado en el orificio de 0,635cm (1/4") taladrado en la tubería del agua y que la arandela esté debajo de la abrazadera de la tubería. Apriete la tuerca de presión. Apriete los tornillos de la abrazadera de la tubería cuidadosa e uniformemente de modo que la arandela provea un cierre hermético. No apriete demasiado pues puede doblar la tubería de cobre, especialmente si se usa tubería de cobre recocido. Ahora usted puede conectar la tubería de cobre.



* Algunos modelos no tienen la segunda tuerca o tubo de compresión.

6. Deslice el tubo de compresión y la tuerca de compresión en la tubería de cobre como se muestra en la ilustración. Inserte el extremo de la tubería en el extremo de la salida firmemente hasta donde sea posible. Atornille la tuerca de compresión en el extremo de la salida con una llave ajustable. No apriete demasiado. ABRA el suministro de agua principal y deje correr el agua hasta que salga clara. CIERRE la válvula de cierre en la tubería del agua. Haga un espiral con la tubería de cobre.

Conexión al refrigerador

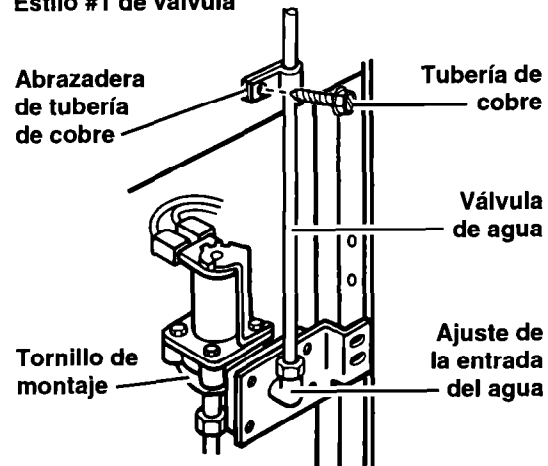
NOTA: El primer paso para conectar la tubería del agua a su refrigerador varía según el tipo de la válvula de agua provista con el refrigerador. Vea el diagrama del lado derecho para determinar el estilo de su válvula. (En los modelos con juego de accesorios, conecte la válvula de agua al refrigerador siguiendo las instrucciones que vienen con el juego.)

- 1. Para el estilo #1,** desconecte la abrazadera de la tubería que está en la parte trasera del producto y haga pasar la tubería de cobre a través de la abrazadera, como se muestra en la figura del lado derecho. Quite la etiqueta adhesiva de la abertura de la válvula y haga pasar la tubería de cobre hasta que toque fondo ($\frac{3}{4}$ de pulgada aproximadamente). Apriete la tuerca con la mano todo lo posible; luego haga girar la tuerca una media vuelta más usando una llave de tuerca. No apriete demasiado. Vuelva a fijar la abrazadera de la tubería y el tubo en la parte trasera del gabinete. Continúe con el paso 2.

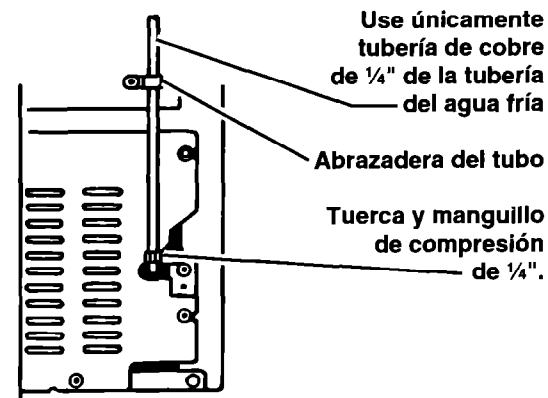
Para el estilo #2, desconecte la abrazadera de la tubería que está en la parte trasera del producto y haga pasar la tubería de cobre a través de la abrazadera, como se muestra en la figura del lado derecho. Fije la tubería de cobre a la válvula de entrada usando una tuerca y un manguito de compresión como se muestra. Apriete la tuerca de compresión. No apriete demasiado. Vuelva a fijar la abrazadera de la tubería y el tubo a la parte trasera del gabinete. Continúe con el paso 2.

- 2. Abra la válvula de cierre. VERIFIQUE SI HAY ESCAPES. APRIETE TODAS LAS CONEXIONES (INCLUYENDO LAS CONEXIONES EN LA VÁLVULA) O TUERCAS QUE TENGAN ESCAPE.**

Estilo #1 de válvula



Estilo #2 de válvula



3. La máquina de hacer hielo está equipada con un filtro de agua incorporado. Si las condiciones de agua locales requieren limpieza periódica o su fuente de suministro de agua es un pozo, se debe instalar un segundo filtro de agua en la tubería del agua de ¼". Adquiera un filtro de agua de su distribuidor de artefactos eléctricos más cercano. Instálelo en cualquiera de las conexiones de la tubería.
4. Vuelva a conectar la corriente eléctrica al refrigerador.

Cómo quitar la rejilla de la base

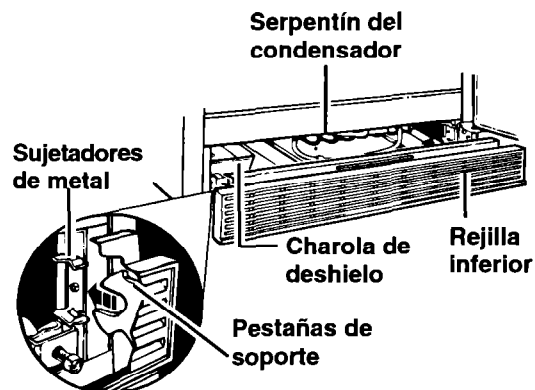
Para retirar la rejilla inferior:

1. Abra la puerta del aparato.
2. Tome la rejilla de los lados, y jale hacia afuera.
3. No retire la hoja técnica que se encuentra sujeta detrás de la rejilla.

Para volver a colocar la rejilla:

1. Coloque las pestañas de soporte alineadas con los sujetadores de metal.
2. Empuje con firmeza para enganchar la rejilla en su lugar.
3. Cierre la puerta del aparato.

Vea las instrucciones de limpieza para la charola de deshielo y el serpentín del condensador en la página 28.



Cómo cambiar los focos

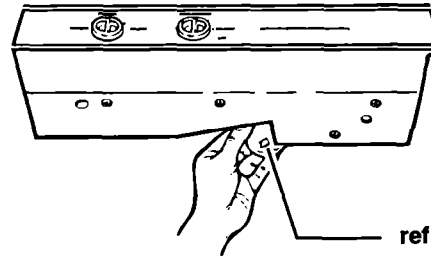
⚠️ ADVERTENCIA



Peligro de Choque Eléctrico
Desenchufe el refrigerador antes de quitar el foco.
La falta de esta precaución puede causar la muerte o choque eléctrico.

Para cambiar la luz del refrigerador:

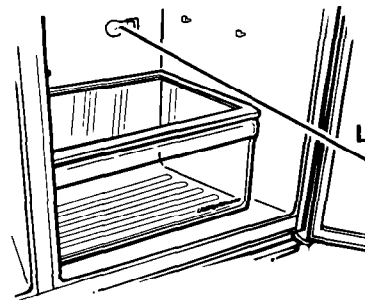
1. Desenchufe el refrigerador.
2. Quite la bombilla que está en la parte posterior del panel de control.
3. Reemplace la bombilla con una bombilla de 40 Watt para electrodomésticos.
4. Enchufe el refrigerador.



Luz del refrigerador

Cómo cambiar la luz de la gaveta para vegetales:

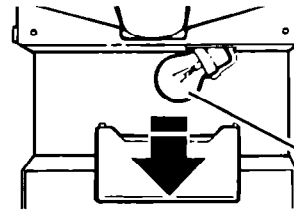
1. Desenchufe el refrigerador.
2. Jale la parte superior del protector de la luz hasta que se desprenda.
3. Baje el protector de la luz para dejar libres los soportes inferiores.
4. Jale el protector de la luz para quitarlo.
5. Reemplace la bombilla con una bombilla de 40 Watt para electrodomésticos.
6. Vuelva a colocar el protector de la luz en el orden inverso.
7. Enchufe el refrigerador.



Luz de la gaveta para verduras

Para cambiar la luz que está debajo del recipiente para el hielo:

1. Desenchufe el refrigerador.
2. Empuje los costados del protector de la luz y jálalo hasta que se desprenda.
3. Reemplace la bombilla con una bombilla de 40 Watt para electrodomésticos.
4. Vuelva a colocar el protector de la luz.
5. Enchufe el refrigerador.

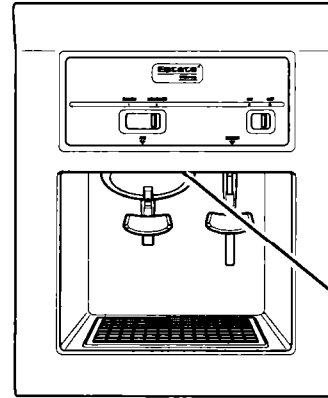


Luz debajo del recipiente para el hielo

Para cambiar la luz del área del despachador:

1. Desenchufe el refrigerador.
2. Alcance a través del área del despachador y saque la luz.
3. Reemplace la luz con una de 10 watts.
4. Enchufe el refrigerador.

NOTA: No todas las bombillas de aparatos electrodomésticos comerciales son adecuadas para su refrigerador. Asegúrese de reemplazar una bombilla con otra de su mismo tamaño y forma.



Luz del despachador

Sonidos provenientes de su refrigerador

Su nuevo refrigerador puede emitir sonidos que el antiguo no emitía. Debido a que estos sonidos son nuevos para usted, usted podría preocuparse. No hay motivo para ello. La mayoría de los nuevos sonidos son normales. Las superficies duras como el piso, las paredes y los estantes pueden hacer que los sonidos sean más fuertes.

A continuación se describen las clases de sonidos que usted puede escuchar y que los producen.

Leve murmullo, silbido suave

Puede provenir del motor del ventilador del refrigerador y del movimiento del aire.

Chasquidos o golpes secos

El termostato emite un chasquido definido cuando el refrigerador deja de funcionar. También produce un sonido cuando el refrigerador comienza a funcionar. El medidor de descongelación también produce un chasquido cuando comienza el ciclo de descongelación.

Sonidos del agua

Cuando el refrigerador deja de funcionar puede oír gorgoteo en la tubería por algunos minutos después de que se detiene. También puede oír el agua descongelada que corre hacia la bandeja colectora del agua.

Sonidos de la fábrica de hielo

- goteo de agua
- caída del hielo

Usted puede oír un zumbido (la válvula del agua), agua que gotea y el ruido de los cubos del hielo al caer al depósito.

Los sonidos de funcionamiento

El refrigerador tiene un compresor y un motor de alta eficiencia. Funcionará por períodos más prolongados que el modelo antiguo. Le puede parecer que el refrigerador está funcionando la mayor parte del tiempo.

Ahorro de energía

Usted puede ayudar a que su refrigerador utilice menos energía.

- Verifique si los empaques de las puertas están herméticos. Nivele el refrigerador para asegurarse de que el cierre es hermético.
- Limpie los serpentines del condensador regularmente.
- Abra la puerta tan pocas veces como sea posible. Piense en lo que necesita sacar antes de abrir la puerta. Saque todo de una sola vez. Mantenga el alimento organizado de modo de que usted no tiene que comenzar a buscar lo que necesita. Cierre la puerta tan pronto como haya sacado el alimento.

- Usted puede llenar el refrigerador. Sin embargo debe dejar espacio para que el aire pueda circular libremente.
- Es un desperdicio de electricidad colocar el refrigerador y el descongelador a temperaturas más frías de lo que sea necesario. Si el helado está firme en el congelador y las bebidas están tan frías como a su familia les gustan, el refrigerador está lo suficientemente frío.
- Asegúrese de que su refrigerador no esté cerca de una fuente de calor tal como la estufa, un calentador del agua, una caldera, un radiador o a la luz directa del sol.

Cuidado de su Refrigerador

Su refrigerador ha sido construido para proporcionarle muchos años de servicio seguro. Sin embargo, hay algunas sugerencias que pueden ayudarle a prolongar su vida útil. Esta sección describe como limpiar su refrigerador y como proceder cuando se va de vacaciones, durante las mudanzas o cuando hay fallas de energía eléctrica.

Limpieza de su refrigerador



Tanto el refrigerador como el congelador se descongelan automáticamente. Sin embargo, limpie ambos por lo menos una vez al mes para ayudar a evitar los olores que se acumulan. Limpie los derrames inmediatamente.

Para limpiar su refrigerador, desenchúfelo, saque todas las piezas removibles y limpie el refrigerador de acuerdo a las siguientes instrucciones.

! ADVERTENCIA

Peligro de Quemadura

No toque los tubos de refrigeración cerca de la bandeja de descongelación. La falta de esta precaución puede causar quemaduras.

PIEZA	QUE USAR	COMO HACER LA LIMPIEZA
Piezas removibles (parrillas, cajones, etc.)	Esponja o paño con detergente suave y agua caliente	<ul style="list-style-type: none"> • Lavar a mano, enjuagar y secar bien.
Exterior	Esponja, paño o toalla de papel con detergente suave, agua calinete y una buena cera para aparatos eléctricos (o una buena cera para limpiar automóviles)	<ul style="list-style-type: none"> • Lave la parte exterior de la caja del refrigerador. No use limpiadores fuertes o abrasivos. • Enjuague y seque bien. • Coloque cera a las superficies de metal pintadas por lo menos dos veces al año. Aplique cera con un paño limpio y suave. La cera protege las superficies de metal pintadas contra la oxidación. No coloque cera en las piezas de plástico.
Paredes interiores (deje que el congelador se caliente para que el paño no se pegue)	Esponja, paño o toalla de papel con bicarbonato de sodio o un detergente suave y agua caliente	<ul style="list-style-type: none"> • Lavar con una mezcla de agua caliente y detergente suave o bicarbonato de sodio (dos cucharadas 26 g [por cuarto de galón] .95 L de agua). • Enjuagar y secar bien.

continúa en la próxima página

PIEZA	QUE USAR	COMO HACER LA LIMPIEZA
Revestimientos y empaques de las puertas	Esponja, paño o toalla de papel con detergente suave y agua tibia	<ul style="list-style-type: none"> • Lave, enjuague y seque bien. NO USE ceras de limpieza, detergentes concentrados, blanqueadores o limpiadores a base de petróleo en las piezas de plástico.
Piezas plástico (tapas y paneles)	Esponja limpia o un paño suave y limpio con detergente suave y agua caliente	<ul style="list-style-type: none"> • Lave, enjuague y seque bien. NO USE toallas de papel, rociadores para limpiar ventanas, limpiadores para fregar o líquidos inflamables. Estos pueden rayar o dañar el material. Ver "Instrucciones Importantes de Seguridad" en la página 4.
Bandeja colectora del agua	Esponja o paño con detergente y agua caliente	<ul style="list-style-type: none"> • Saque la rejilla de la base. (Ver página 23.) • Introduzca la mano en la pequeña abertura en el borde derecho y saque la bandeja colectora del agua. • Lave, enjuague y seque bien. • Vuelva a colocar la bandeja colectora del agua. Asegúrese de que la bandeja quede hacia adentro en la abertura. • Vuelva a colocar la rejilla de la base.
Serpentines del condensador	Aspiradora con el accesorio angosto largo	<ul style="list-style-type: none"> • Saque la rejilla de la base. • aspire los serpentines cuando estén sucios o con polvo. Los serpentines pueden necesitar limpieza cada dos meses. • Vuelva a colocar la rejilla de la base.

Cuidado durante las vacaciones y mudanzas

Vacaciones cortas

No necesita desconectar el refrigerador si usted estará ausente por menos de cuatro semanas.

1. Use todos los alimentos que puedan echarse a perder.
2. Congele todos los otros artículos.
3. Si su refrigerador tiene una fábrica de hielo automática:
 - Levante la palanca a la posición OFF (apagado).
 - Corte el suministro de agua a la fábrica de hielo.

Vacaciones largas

Si usted estará ausente por un mes o más:

1. Saque todos los alimentos del refrigerador.
2. Si su refrigerador tiene una fábrica de hielo automática:
 - Corte el suministro de agua a la fábrica de hielo por lo menos con un día de anticipación.
 - Cuando caiga la última carga de hielo, desconecte la fábrica de hielo. Asegúrese de que todo el hielo esté fuera del mecanismo que fabrica el hielo.

3. Desenchufe el refrigerador.
4. Límpielo, enjuáguelo bien y séquelo.
5. Coloque bloques de goma o madera en la parte superior de ambas puertas para dejarlas abiertas y permitir que el aire circule. Esto evita que el mal olor y el moho se acumule.

Para volver a conectar el refrigerador, vea la página 8.

Mudanzas

Cuando esté cambiando el refrigerador a su nuevo hogar:

1. Si su refrigerador tiene una fábrica de hielo automática:
 - Corte el suministro de agua a la fábrica de hielo por lo menos con un día de anticipación.
 - Desconecte la tubería del agua.
 - Deje que caiga la última carga de hielo, levante la palanca a la posición OFF (apagado).

2. Saque todos los alimentos del refrigerador.
3. Empaque todos los alimentos congelados con hielo seco.
4. Desenchufe el refrigerador.
5. Límpielo bien. Enjuague bien y seque.
6. Saque todas las piezas removibles, envuélvalas bien y póngalas juntas para que no se muevan y hagan ruido.
7. Atornille hacia adentro los rodadillos niveladores.
8. Coloque cinta para mantener las puertas cerradas y sujete con cinta el cordón eléctrico a la caja del refrigerador.

Cuando llegue a su nuevo hogar, coloque todo de vuelta en su lugar y consulte la página 6. Además, si su refrigerador tiene una fábrica de hielo automática, recuerde volver a conectar la tubería del agua.

Interrupciones de energía eléctrica

Si la energía eléctrica se interrumpe, llame a la compañía de luz. Pregunte cuanto tiempo va estar la corriente cortada.

1. Si el servicio será interrumpido durante 24 horas o menos, **mantenga ambas puertas cerradas**. Esto ayuda a mantener los alimentos congelados.
2. Si el servicio va a ser interrumpido por más de 24 horas:
 - (a) Saque todos el alimento congelado y colóquelo en un congelador separado.

O

 - (b) Coloque 900 g (2 libras) de hielo seco en el congelador por cada litro (pié cúbico) de espacio del refrigerador. Esto ayudará a mantener el alimento congelado durante 2 a 4 días. Use guantes para proteger sus manos contra las quemaduras del hielo seco.

O

- (c) Si no dispone de un congelador separado o de hielo seco, use o coloque en conserva el alimento que puede descomponerse.
3. Un congelador lleno se mantiene frío por más tiempo que un congelador parcialmente lleno. Un congelador lleno de carne se mantiene más frío que un congelador lleno de productos de panadería. Si el alimento tiene cristales de hielo, puede ser recongelado con toda seguridad, aunque la calidad del sabor puede ser inferior. Si el estado del alimento es deficiente o si usted no se siente seguro, descártelo.

Guía para la Conservación de los Alimentos

Existe una manera correcta de guardar y empaquetar el alimento refrigerado o congelado. Para mantener el alimento más fresco, durante más tiempo, estudie los pasos que se recomiendan a continuación.

Almacenamiento de alimentos frescos

Envuelva o guarde el alimento en el refrigerador en material o envases herméticos o a prueba de humedad. Esto evita que el olor y el sabor del alimento circule a través del refrigerador. Para los productos que tienen fecha de caducidad, verifique la fecha en código para asegurar su frescura.

Las verduras con hojas

Saque la envoltura original y elimine los tallos o áreas descoloridas o maltratadas. Lave en agua fría y deje escurrir. Coloque en una bolsa plástica o en un envase de plástico y almacene en el cajón para verduras.

Los vegetales con piel (zanahorias, pimientos)

Guardar en el cajón para verduras en bolsas plásticas o en envases de plástico.

Fruta

Lavar, dejar secar y colocar en el refrigerador en bolsas de plástico o en el compartimiento de las verduras. No lavar o limpiar las frutillas hasta que no estén listas para ser usadas. Clasifique y mantenga las fresas en el envase original en el cajón para verduras o guárdelas en una bolsa de papel a medio cerrar en una división del refrigerador.

Huevos

Guárdelos sin lavar en el cartón original en las parrillas interiores. Para su conveniencia, en algunos modelos se ha incluido un recipiente para guardar huevos.

Leche

Seque las cajas de cartón. Para almacenarlas mejor, coloque la leche en la parrilla interior.

Mantequilla o margarina

Mantenga la mantequilla que haya usado en un plato tapado o en el compartimiento cerrado. Cuando guarde mantequilla adicional, envuélvala en papel para congelador y congélela.

Queso

Guárdelo en su envoltura original hasta que esté listo para usarlo. Una vez abierto, vuelva a envolverlo bien con plástico o papel de aluminio.

Restos de alimentos

Cubra los restos de alimentos con plástico o con papel de aluminio. Los envases de plástico con tapas herméticas también pueden ser usados.

Carne

La mayoría de la carne puede ser guardada en su envoltura original siempre que sea hermética y a prueba de humedad. Vuelva a envolver si es necesario. Ver los siguientes períodos de conservación. Cuando se almacena carne por períodos de tiempo más prolongado que los indicados a continuación, se recomienda congelar la carne.

Pollo	1 a 2 días
Tocino	5 a 7 días
Carne de res molida	1 a 2 días
Carnes frías	3 a 5 días
Bisteces/carnes para asar	3 a 5 días
Carnes variadas días	1 a 2 días
Carnes curadas	7 a 10 días

NOTA: Use el pescado y los mariscos frescos el mismo día que los compre.

Almacenamiento de Alimentos Congelados

En el congelador se pueden conservar los alimentos congelados comercialmente y aquellos que se desean congelar del hogar.

NOTA: Para mayor información acerca de la preparación del alimento para congelarlo o los períodos de conservación de los alimentos, póngase en contacto con su Servicio de Extensión Cooperativa o consulte una guía sobre congelación de alimentos o un libro de cocina.

Como envasar los alimentos

El secreto de la congelación exitosa es el envase. El envase no debe permitir la entrada o salida del aire o de la humedad. De lo contrario, el olor y sabor de los alimentos circulará a través del refrigerador y secará el alimento congelado.

Envolturas recomendadas:

- Envases de plástico con tapas herméticas
- Frascos para conservas/congelación
- Envoltura de papel de aluminio grueso
- Papel con forro de plástico
- Envolturas plásticas impermeables (hechas de película saran)

Siga las instrucciones del paquete o del envase para los métodos de congelación adecuados.

No usar:

- Bolsas del pan
- Envases plásticos que no son de polietileno
- Envases sin tapas herméticas
- Papel de cera
- Papel encerado de congelador
- Papel delgado semipermeable

El uso de estas envolturas puede causar transferencia del olor y del sabor de los alimentos y secar el alimento congelado.

Congelación

No espere que su congelador congele grandes cantidades de alimento rápidamente. No ponga más alimento en el congelador del que pueda congelar dentro de 24 horas (no más de 900-1,350 g por litro [2-3 libras de alimento por pié cúbico] de espacio del congelador). Deje suficiente espacio para que circule el aire alrededor de los paquetes. Tenga cuidado de dejar suficiente espacio al frente de manera que la puerta pueda cerrarse herméticamente.

Los períodos de tiempo de conservación variarán de acuerdo con la calidad del alimento, el tipo de paquete o con la envoltura usada (hermético y a prueba de humedad) y con la temperatura de conservación que debe ser de $-17,8^{\circ}\text{C}$ (0°F).

Diagnóstico de Problemas

A menudo los problemas que puedan producirse se pueden solucionar sin necesidad de herramientas. Por favor lea la sección “Antes de pedir ayuda ...” que se incluye a continuación antes de solicitar servicio para su aparatos.

Antes de pedir ayuda ...

En esta tabla se incluye la mayoría de los problemas más comunes que los consumidores enfrentan con sus aparatos. Le rogamos leer atentamente para que pueda solucionar su problema.

PROBLEMA	SOLUCION
El refrigerador no funciona	¿Está el cordón eléctrico bien enchufado en un circuito con el voltaje apropiado? ¿Se ha quemado o disparado un disyuntor o un fusible del hogar? ¿Está el control del refrigerador en la posición OFF (apagado)?
Las luces no trabajan	¿Está el cordón eléctrico bien enchufado en un circuito con el voltaje apropiado? ¿Se ha quemado o disparado un disyuntor o un fusible del hogar? ¿Se quemó alguna ampolleta?
La fábrica de hielo no trabaja	¿Está el congelador bastante frío como para hacer hielo? El congelador puede demorar toda la noche en alcanzar la temperatura adecuada. ¿Está la palanca ON/OFF (encendido/apagado) en la posición ON (hacia abajo)? (Ver página 17.) ¿Está la llave del agua abierta? ¿Hay una obstrucción o un escape en la tubería del agua?
Ruidos extraños o tintineo	¿Hay algo arriba o detrás del refrigerador? Algunos de los sonidos son normales. Ver la sección “Sonidos provenientes de su refrigerador” en la página 25.
Hay agua en la bandeja colectora	Esto es normal en días de mucho calor. Asegúrese de que el refrigerador está bien nivelado para que la bandeja no se derrame.
El motor parece que funciona excesivamente	¿Están los serpentines del condensador sucios? ¿Se ha abierto la puerta muy a menudo? ¿Se agregó una gran cantidad de alimentos de una sola vez? El motor naturalmente funcionará por períodos más prolongados si ésto sucede. ¿Está la habitación caliente? Si la habitación está demasiado caliente, el motor funciona por períodos más largos para mantener el refrigerador frío.

Centro de Servicio y Venta de Refacciones y Partes

SERVICIO ACROS - WHIRLPOOL

Utilice sin cargo para usted el Centro de Atención al Cliente
Tel: 91-800-83-004

Zona Norte

MONTERREY

Centro Industrial Acros
Whirlpool.
Carretera Miguel Alemán
Km 16,695
Interior 6. Apodaca, N.L.
C.P. 66600
Tel. 329-21-00 y 386-21-31
Fax 329-21-03
Ave Alfonso Reyes No. 3210,
Col. Regina
C.P.64290 Monterrey N.L.
Tel. 351-27-37 y 351-27-03

CHIHUAHUA

Calle Sexta No. 3407. Col.
Sta Rosa
Chihuahua, Chih.
C.P. 31050
Tel./Fax 10-05-50

TORREON

Bldv. Aguila Nacional
2495 Ote.
Col. Centro
Torreón, Coahuila,
C.P. 27000
Tel. 22-30-78, 18-12-20
Fax 18-12-21

TAMPICO

Av. Hidalgo No. 1205 Col.
Moctezuma, C.P. 89177
Tampico Tamps.
Tel. 19-26-20 y 19-26-21
Fax 19-27-52

Zona Occidente

CULIACAN

Calz. H. Colegio Militar No. 165
Col. Benito Juárez,
Culiacán, Sin. C.P. 80120
Tel. 13-92-35 y 15-65-96
Fax 17-12-30

HERMOSILLO

Reforma y Jesús
Siqueiros No. 1
Hermosillo, Son. C.P. 83180
Tel./Fax 10-46-80

GUADALAJARA

Calz. Glez. Gallo No. 1269,
Sector Reforma
Guadalajara Jal. C.P. 44870,
Tel. 619-16-50, 619-15-15
y 619-23-03
Fax 650-35-64

LEON

Av. Autotransporte No. 426
Fracc. El Papalote,
León Guanajuato, C.P. 37130
Tel. 16-01-80, 16-31-22 y
16-39-57 Ext. 4467

Zona Centro y Sureste

MEXICO

Canela No. 47-L, Col.
Granjas México,
México D.F., C.P. 08400
Tel. 650-65-33 y 657-29-56
con 12 líneas.
Fax 650-38-49

Poniente 134 No. 559, Col.
Industrial Vallejo
México D.F., C.P. 02300
Tel. 368-25-25, 368-25-06,
368-25-66, y 368-25-76

VERACRUZ

Miguel Alemán No. 652,
Col. Díaz Mirón
Veracruz, Ver., C.P. 91909
Tel./Fax 31-28-81

VILLAHERMOSA

Guaycan No. 124, Co. del
Bosque,
Villahermosa, Tab. C.P. 86160
Tel./Fax 51-35-13

MERIDA

Calle 54 No. 466 por 53 y 55
Mérida Yuc., C.P. 97000
Tel./Fax 28-1038

ESTATE*

Póliza de Garantía

VALIDA SOLO EN MEXICO

VITROMATIC COMERCIAL, S.A. DE C.V.

Ave. San Nicolás 2121 Nte. Monterrey Nvo.

León, Tel. 329-22-00 en los términos de

esta póliza, garantiza al comprador y

usuario del refrigerador marca ESTATE

identificado en la presente póliza

exclusivamente lo siguiente:

AMPARA LOS SIGUIENTES

MODELOS:

CONCEPTOS CUBIERTOS POR LA GARANTIA:

Defectos de fabricación que impidan total o parcialmente el correcto funcionamiento del aparato que se presenten dentro de los términos de vigencia de esta garantía. En este caso, la reparación se hará sin costo alguno para el comprador o usuario. Si se requiere el reemplazo de alguno de los componentes, piezas o del aparato, asimismo correrá por cuenta del otorgante. Igualmente los gastos de transporte dentro de la red de servicio y mano de obra derivados del cumplimiento de la garantía serán cubiertos por el otorgante.

CONCEPTOS QUE INVALIDAN LA GARANTIA:

Cuando el producto ha sido utilizado en condiciones distintas a las normales

(el refrigerador no es para uso comercial o industrial).

Cuando el producto no ha sido operado de acuerdo con el Manual de Instalación, Uso y Cuidado del refrigerador.

Cuando el producto ha sido alterado o reparado por personas o establecimientos no autorizados por Servicio Acros-Whirlpool S.A. de C.V.

PROCEDIMIENTO PARA HACER EFECTIVA LA GARANTIA:

Al considerar al comprador que ha ocurrido alguno de los eventos amparados por esta póliza, deberá ponerse en contacto con alguno de los establecimientos indicados en la lista de Centros de Servicio autorizados aquí incluida.

TERMINO

Esta garantía tiene una vigencia de UN AÑO en todas sus partes usuario reciba de conformidad el producto. Además de la cobertura base de un año, esta garantía ampara los siguientes componentes y periodos adicionales;

4 años para el sistema de refrigeración que se compone del compresor, evaporador, secador, condensador, filtro, tubo de conexión y succión.

FORMATO DE IDENTIFICACION

NOMBRE DEL COMPRADOR: _____

DOMICILIO: _____

NOMBRE DEL DISTRIBUIDOR: _____

DOMICILIO: _____ TEL: _____

PRODUCTO: _____ MODELO: _____

NÚM. DE SERIE: _____ FECHA DE ENTREGA: _____

FIRMA DEL DISTRIBUIDOR Y SELLO

REPRESENTANTE AUTORIZADO

(Señalar con precisión la calle, número exterior o interior, colonia, ciudad, estado y C.P.)

NOTAS IMPORTANTES

Este documento deberá ser presentado para cualquier trámite relacionado con la garantía.

EL COMPRADOR DEBERA MANTENER ESTE DOCUMENTO EN SU PODER Y EN UN LUGAR SEGURO.

El consumidor podrá solicitar que se haga efectiva la garantía que ampara esta póliza, ante la casa comercial donde adquirió el producto. En caso de extravío de la póliza mencionada, el proveedor expedirá una nueva póliza de garantía, previa presentación de la nota de compra o factura respectiva.