



TOP-MOUNT REFRIGERATOR

Use & Care Guide

Table of Contents.....2



or visit our website at...

www.whirlpool.com

TABLE OF CONTENTS

REFRIGERATOR SAFETY	3
Proper Disposal of Your Old Refrigerator	3
PARTS AND FEATURES	4
INSTALLING YOUR REFRIGERATOR	5
Unpacking Your Refrigerator.....	5
Space Requirements	5
Electrical Requirements.....	6
Connecting the Refrigerator to a Water Source	6
Reversing the Door Swing.....	8
Reversing the Door Handles	9
Base Grille	11
Door Closing and Alignment	11
Understanding Sounds You May Hear	12
USING YOUR REFRIGERATOR	12
Ensuring Proper Air Circulation.....	12
Setting the Controls	13
Adjusting Control Settings.....	13
Food Storage Guide.....	14
REFRIGERATOR FEATURES	15
Refrigerator Shelves	15
Lateral Adjustable Shelf.....	16
Door Rails	17
Door Bins	17
Adjustable Utility Compartment & Tray	18
Flip-up Door Shelf	18
Meat Drawer and Cover.....	18
Crisper and Crisper Cover.....	19
Crisper Humidity Control	19
Freezer Shelf.....	19
Pull-out Freezer Floor	20
Ice Maker Operation	20
CARING FOR YOUR REFRIGERATOR	21
Cleaning Your Refrigerator	21
Changing the Light Bulbs	21
Power Interruptions	22
Vacation and Moving Care	22
TROUBLESHOOTING	23
ASSISTANCE OR SERVICE	26
WARRANTY	27

REFRIGERATOR SAFETY

Your safety and the safety of others is very important.

We have provided many important safety messages in this manual and on your appliance. Always read and obey all safety messages.



This is the safety alert symbol.

This symbol alerts you to hazards that can kill or hurt you and others.

All safety messages will be preceded by the safety alert symbol and the word "DANGER" or "WARNING." These words mean:

 **DANGER**

You will be killed or seriously injured if you don't follow instructions.

 **WARNING**

You can be killed or seriously injured if you don't follow instructions.

All safety messages will identify the hazard, tell you how to reduce the chance of injury, and tell you what can happen if the instructions are not followed.

IMPORTANT SAFETY INSTRUCTIONS

WARNING: To reduce the risk of fire, electric shock, or injury when using your refrigerator, follow these basic precautions:

- Plug into a grounded (earthed) outlet.
- Do not remove ground prong.
- Do not use an adapter.
- Do not use an extension cord.
- Disconnect power before servicing.
- Replace all panels before operating.
- Remove doors from your old refrigerator.
- Use nonflammable cleaner.
- Keep flammable materials and vapors, such as gasoline, away from refrigerator.
- Use two or more people to move and install refrigerator.
- Disconnect power before installing ice maker.
- Use a sturdy glass when dispensing ice or water (on some models).

SAVE THESE INSTRUCTIONS

Proper Disposal of Your Old Refrigerator

 **WARNING**

Suffocation Hazard

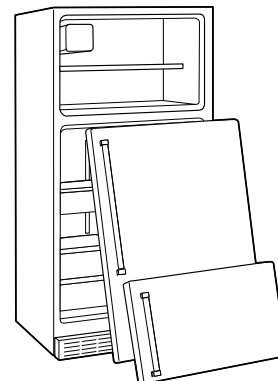
Remove doors from your old refrigerator.

Failure to do so can result in death or brain damage.

IMPORTANT – Child entrapment and suffocation are not problems of the past. Junked or abandoned refrigerators are still dangerous – even if they will sit for "just a few days." If you are getting rid of your old refrigerator, please follow these instructions to help prevent accidents.

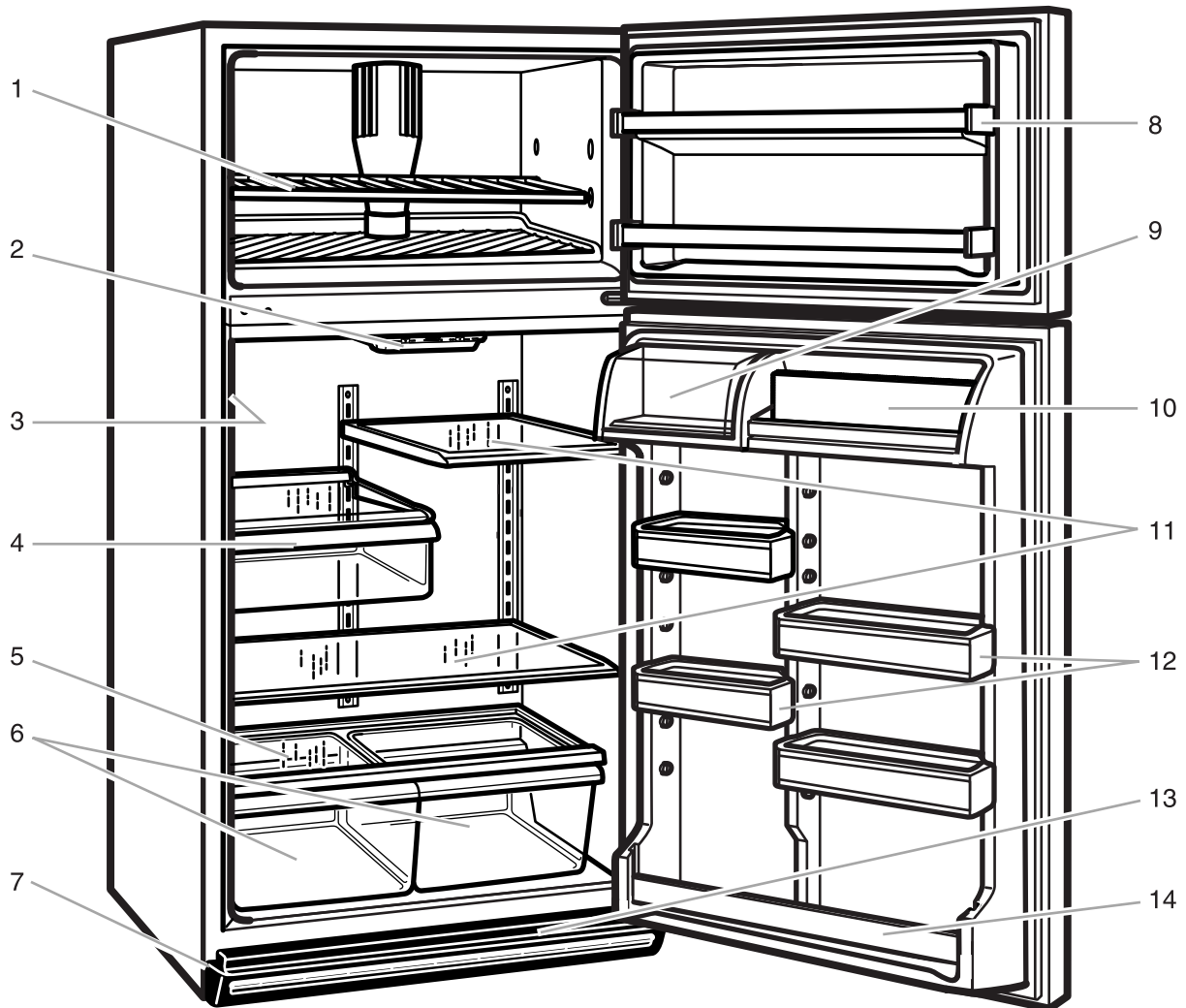
Before you throw away your old refrigerator or freezer:

- Take off the doors.
- Leave the shelves in place so that children may not easily climb inside.



PARTS AND FEATURES

This manual covers several different models. The refrigerator you have purchased may have some or all of the items listed. The locations of the features may not match your model.



1. Adjustable Freezer Shelf
2. Control Panel
3. Model and Serial Number Label
4. Meat Drawer (on some models)
5. Crisper Cover (on some models)
6. Crispers
7. Leveling Rollers (not shown)
8. Snap-On Door Trim
9. Utility Compartment
10. Flip-Up Shelf (on some models)
11. Adjustable Glass or Wire Shelves (number varies with model)
12. Adjustable Door Bins
13. Base Grille
14. Drop-In Door Trim

Other Parts and Features

(not shown in illustration above/optional on some models)

- Automatic Ice Maker
- Ice Cube Trays/Ice Cube Tray Shelf
- Pull-Out Freezer Floor
- Crisper Humidity Control
- Egg/Utility Bin
- Lateral Adjustable Refrigerator Shelf
- Fixed Door Shelves

INSTALLING YOUR REFRIGERATOR

Unpacking Your Refrigerator

⚠️ WARNING

Excessive Weight Hazard

Use two or more people to move and install refrigerator.

Failure to do so can result in back or other injury.

Removing Packaging Materials

- Remove tape and any labels from your refrigerator before using (except the model and serial number label).

To remove any remaining tape or glue, rub the area briskly with your thumb. Tape or glue residue can also be easily removed by rubbing a small amount of liquid dish soap over the adhesive with your fingers. Wipe with warm water and dry.

- Do not use sharp instruments, rubbing alcohol, flammable fluids, or abrasive cleaners to remove tape or glue. These products can damage the surface of your refrigerator. For more information, see "Refrigerator Safety" section.
- On some models, shelves, bins, door shelf rails, and other feature parts may be packaged in the Finishing Touches FeaturePak. Follow the instructions contained in the package for proper assembly.

IMPORTANT:

- Depending on your model, do not remove any permanent instruction labels inside your refrigerator, or the Tech Sheet that is fastened behind the base grille.
- Depending on your model, do not remove the white Styrofoam insert that is located behind the control panel on the ceiling of the refrigerator. The insert is part of the refrigerator and not part of the packing material. If the insert is removed, ice may migrate down from the freezer and cause icicles to form.

Space Requirements

⚠️ WARNING

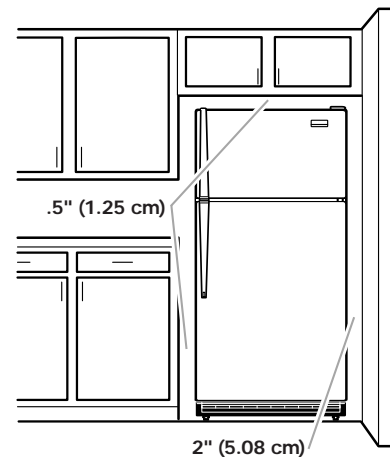


Explosion Hazard

Keep flammable materials and vapors, such as gasoline, away from refrigerator.

Failure to do so can result in death, explosion, or fire.

- To ensure proper ventilation for your refrigerator, allow for a .5" (1.25 cm) space on each side and at the top.



- If your refrigerator has an ice maker, make sure you leave some extra space at the back for the water line connections. The refrigerator can be flush against the back wall if you do not have an ice maker installed.
- If you are installing your refrigerator next to a fixed wall, leave 2" (5.08 cm) minimum on each side (depending on your model) to allow for the door to swing open.

NOTE: Do not install the refrigerator near an oven, radiator, or other heat source, nor in a location where the temperature will fall below 55°F (13°C).

Electrical Requirements

⚠ WARNING



Electrical Shock Hazard

Plug into a grounded (earthed) outlet.

Do not remove ground prong.

Do not use an adapter.

Do not use an extension cord.

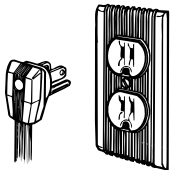
Failure to follow these instructions can result in death, fire, or electrical shock.

Before you move your refrigerator into its final location, it is important to make sure you have the proper electrical connection:

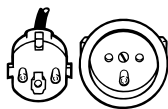
Recommended Grounding Method

Plug 1: A 115 Volt, 60 Hz., AC only 15 or 20 ampere fused, grounded (earthed) electrical supply is required.

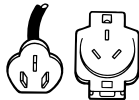
Plugs 2 and 3: A 220/240 Volt/50 Hz or 220 Volt/60Hz AC only 10 ampere fused and grounded (earthed) electrical supply is required.



Plug 1



Plug 2



Plug 3

It is recommended that a separate circuit serving only your refrigerator be provided. Use an outlet that cannot be turned off by a switch. Do not use an extension cord.

NOTE: Before performing any type of installation, cleaning, or removing a light bulb, turn the control, (Thermostat, Refrigerator or Freezer Control depending on the model) to OFF and then disconnect the refrigerator from the electrical source. When you are finished, reconnect the refrigerator to the electrical source and reset the control (Thermostat, Refrigerator or Freezer Control depending on the model) to the desired setting.

Connecting the Refrigerator to a Water Source

Read all directions carefully before you begin.

IMPORTANT:

- If operating the refrigerator before installing the water connection, turn ice maker to the OFF position to prevent operation without water.
- All installations must be in accordance with local plumbing code requirements.
- Use copper tubing and check for leaks.
- Install copper tubing only in areas where temperatures will remain above freezing.
- It may take up to 24 hours for your ice maker to begin producing ice.

Tools required:

- Standard screwdriver
- 7/16-inch and 1/2-inch open-end wrenches or two adjustable wrenches
- 1/4-inch nut driver
- 1/4-inch drill bit
- Hand drill or electric drill (properly grounded)

NOTE: Your refrigerator dealer has a kit available with a 1/4-inch saddle-type shut-off valve, a union, and copper tubing. Before purchasing, make sure a saddle-type valve complies with your local plumbing codes. Do not use a piercing-type or 3/16-inch saddle valve which reduces water flow and clogs more easily.

Cold Water Supply

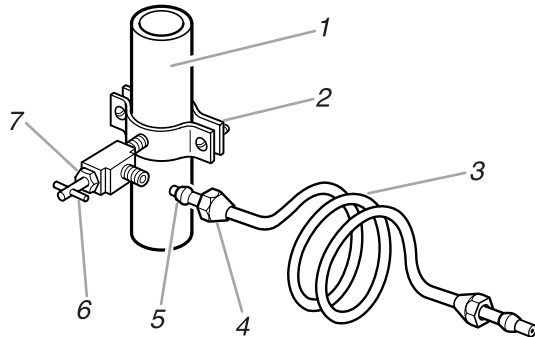
The ice maker water valve contains a flow washer which is used as a water pressure regulator. The ice maker needs to be connected to a cold water line with water pressure between 30 and 120 psi. If a problem occurs, call your utility company.

Connecting to water line:

1. Unplug refrigerator or disconnect power.
2. Turn OFF main water supply. Turn ON nearest faucet long enough to clear line of water.
3. Find a 1/2-inch to 1 1/4-inch vertical COLD water pipe near the refrigerator.

NOTE: Horizontal pipe will work, but the following procedure must be followed: Drill on the top side of the pipe, not the bottom. This will help keep water away from the drill. This also keeps normal sediment from collecting in the valve.

- To determine the length of copper tubing you will need, measure from connection on lower left rear of refrigerator to water pipe. Add 7 feet (2.1 m) to allow for moving refrigerator for cleaning. Use 1/4-inch O.D. (outside diameter) copper tubing. Be sure both ends of copper tubing are cut square.
- Using a grounded drill, drill a 1/4-inch hole in the cold water pipe you have selected.



- Cold Water Pipe
- Pipe Clamp
- Copper Tubing
- Compression Nut
- Compression Sleeve
- Shut Off Valve
- Packing Nut

- Fasten shut-off valve to cold water pipe with pipe clamp. Be sure outlet end is solidly in the 1/4-inch drilled hole in the water pipe and that washer is under the pipe clamp. Tighten packing nut. Tighten the pipe clamp screws carefully and evenly so washer makes a watertight seal. Do not overtighten or you may crush the copper tubing, especially if soft (coiled) copper tubing is used. Now you are ready to connect the copper tubing.
- Slip compression sleeve and compression nut on copper tubing as shown. Insert end of tubing into outlet end squarely as far as it will go. Screw compression nut onto outlet end with adjustable wrench. Do not overtighten.
- Place the free end of the tubing into a container or sink, and turn ON main water supply and flush out tubing until water is clear. Turn OFF shut-off valve on the water pipe. Coil copper tubing.

Connecting to refrigerator:

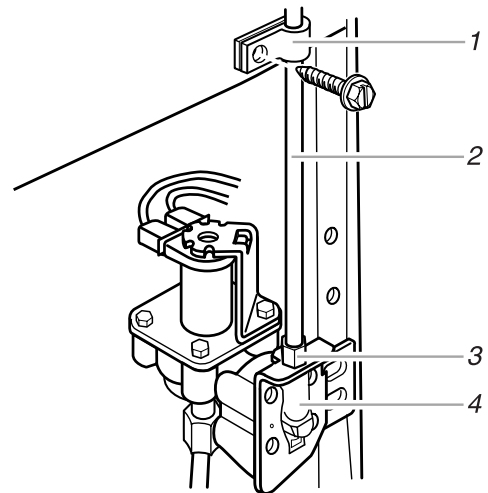
NOTE: The first step for connecting the water line to your refrigerator is different depending on the type of water valve provided with your refrigerator. See the diagrams below to determine the style of valve you have. (On kit models, assemble water valve to refrigerator per kit instructions.)

- For Style 1**, disconnect the tube clamp on the back of the product and insert the copper tubing through the clamp, as shown. Remove the tape label from the valve inlet and insert copper tubing until it bottoms out (approximately 3/4-inch). Tighten nut by hand as much as possible; then turn the nut an additional 1/2 turn using a wrench. Do not overtighten. Re-attach the tube clamp and tube to the back of the cabinet. Skip to Step 2.

For Style 2, disconnect the tube clamp on the back of the product and insert copper tubing through the clamp as shown. Attach the copper tube to the valve inlet using a compression nut and sleeve as shown. Tighten the compression nut. Do not overtighten. Re-attach the tube clamp and tube to the back of the cabinet. Move to Step 2.

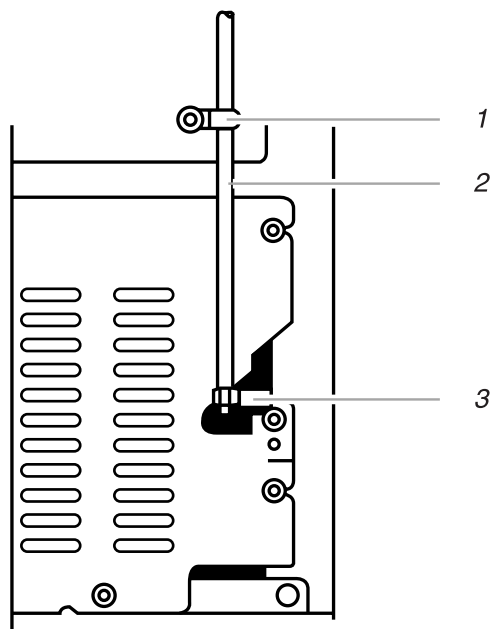
- Turn shut-off valve ON. Check For Leaks. Tighten any connections (including connections at the valve) or nuts that leak.**

Style 1



- Tube Clamp
- Copper Tubing
- Compression Nut
- Valve Inlet

Style 2



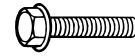
1. Tube Clamp
2. Copper Tubing
3. Compression Nut

3. The ice maker is equipped with a built-in water strainer. If local water conditions require periodic cleaning or a well is your source of water supply, a second water strainer should be installed in the 1/4-inch water line. Obtain a water strainer from your nearest appliance dealer. Install at either tube connection.
4. Plug in refrigerator or reconnect power.

Reversing the Door Swing

TOOLS NEEDED:

5/16-inch hex-head socket wrench, No. 2 Phillips screwdriver, flat-head screwdriver, 1/2-inch open-end wrench, flat 2-inch putty knife.



5/16 inch Hex-Head Hinge Screw



Door Stop Screw



Sealing Screw (use on top of doors)

SUGGESTION: Reversing the door swing should be performed by a qualified person.

IMPORTANT: Before you begin, turn the refrigerator OFF, unplug it, and remove any food from door shelves.

To remove doors from hinges:

1. Remove base grille. See the "Base Grille" section for instructions.
2. Keep doors closed until ready to lift free from the cabinet.
3. Start at the top hinge and work your way down to the center hinge and bottom hinge. Remove all screws and components as shown.
4. Open and lift doors off hinges.

NOTE: If you are reversing the door swing, you should move the handles while the doors are off of the refrigerator. Follow the instructions in the "Reversing the Door Handles" section.

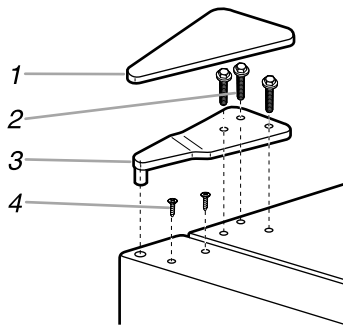
NOTE: The following refers only to models with the Style 1 center hinge. To remove the center hinge screws, remove the center hinge pin by turning it 1/4 to 1/2 turn. It will pop up.

To replace doors:

1. Start at the bottom hinge and work your way up.
2. Lift up doors so they are centered between the sides of the cabinet and parallel with each other.
3. Seal all unused openings with screws or plastic plugs. Moisture will enter any openings.

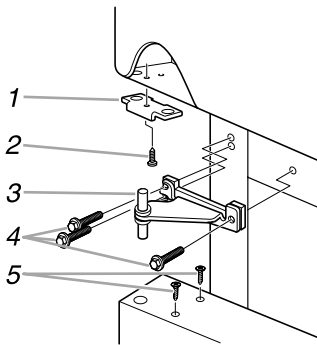
NOTE: After the doors are reversed, reinstall the handles. If the doors are not closing on their own, see the "Door Closing and Alignment" section.

Top Hinge



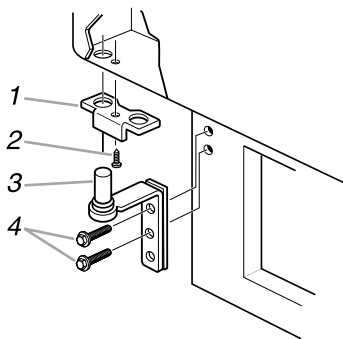
1. Top Hinge Cover
2. Hex-Head Hinge Screws
3. Top Hinge
4. Sealing Screws

Center Hinge



1. Door Stop
2. Door Stop Screw
3. Center Hinge
4. Hex-Head Hinge Screws
5. Sealing Screws

Bottom Hinge



1. Door Stop
2. Door Stop Screw
3. Bottom Hinge
4. Hex-Head Hinge Screws

Reversing the Door Handles



Cone Screw (Use on Top and Bottom of Handles)



Countersink Screw



Handle Screw (Use on Front of Handles)

To remove handles:

1. Remove freezer handle assembly as shown. Keep all parts together.
2. Remove refrigerator handle bottom screw. For **Style 1**, pry off screw cover and remove screw. For **Style 2**, slide trim downward and remove screw.
3. Remove refrigerator handle assembly as shown. Keep all parts together.

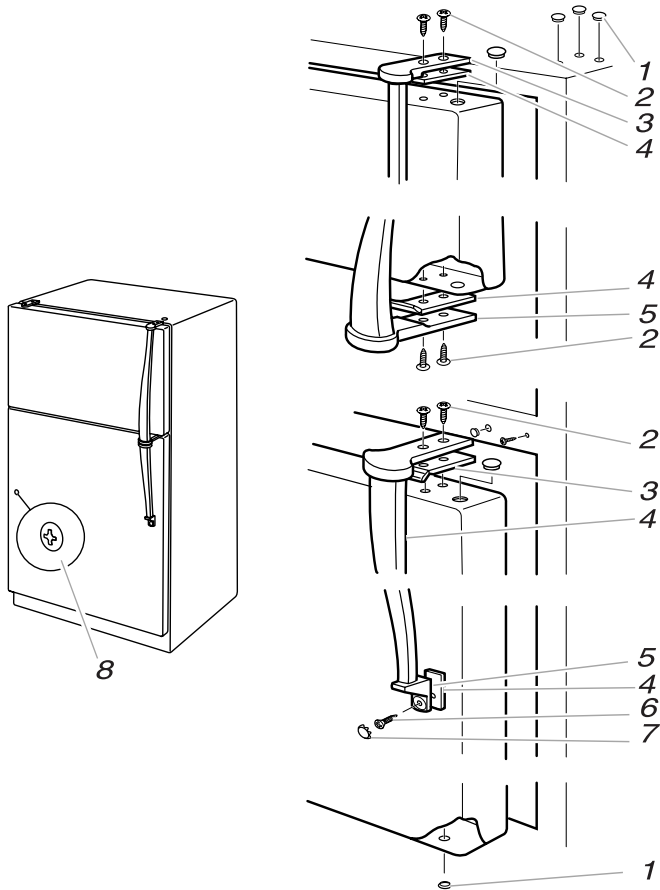
To reinstall freezer handle:

1. Position freezer handle on the opposite side of the freezer door and install top two screws.
2. Install the bottom two screws.
3. Tighten all screws.

To reinstall refrigerator handle:

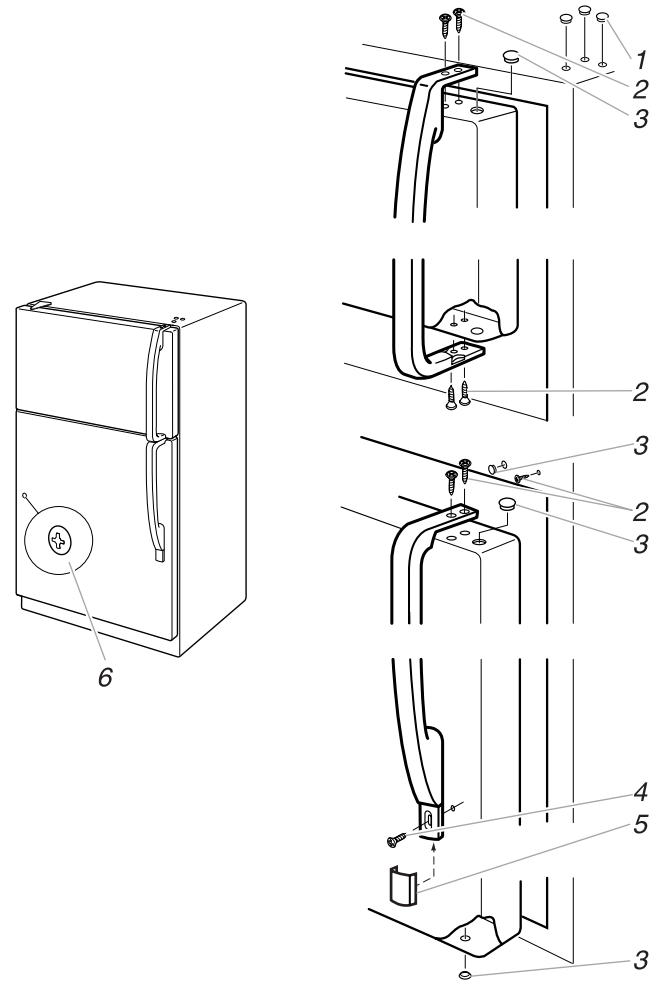
1. Unscrew the hole plug in the refrigerator door and screw it into place on the opposite side.
2. Position the refrigerator handle on the refrigerator door and attach it at the top with two screws.
3. Align the lower portion of the handle and attach it to the refrigerator with one screw.
4. Replace refrigerator handle bottom trim. For **Style 1**, position screw cover over the screw and push it until it snaps into place. For **Style 2**, align the top edge of the trim with the notches in the lower part of the handle and slide the trim upward into place.

Style 1



1. Plugs
2. Countersink Screw
3. Top Endcap
4. Stick on Shim
5. Bottom Endcap
6. Handle Screw
7. Screw Cover
8. Plug

Style 2



1. Plugs
2. Countersink Screws
3. Plug
4. Handle Screw
5. Screw Cover
6. Plug

Base Grille

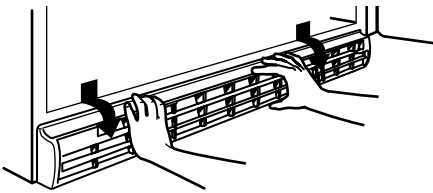
To remove the base grille:

1. Open the refrigerator door.
2. Grasp the grille with both hands.
3. Lift up and tilt the bottom of the grille toward you.

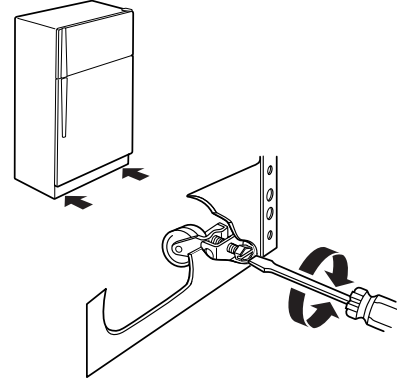
NOTE: Do not remove the Tech Sheet that is fastened behind the grille.

To replace the base grille:

1. Open the refrigerator door.
2. Place upper clips in openings in the metal panel.
3. Roll the grille down toward the refrigerator until it snaps into place.



NOTE: Having someone push against the top of the refrigerator takes some weight off the leveling screws and rollers. This makes it easier to adjust the screws.



4. Open both doors again and check to make sure that they close as easily as you like. If not, tilt the refrigerator slightly more to the rear by turning both leveling screws to the right. It may take several more turns, and you should turn both leveling screws the same amount.
5. Replace the base grille.

Door Alignment

If the space between your doors looks uneven, you can adjust it using the instructions below:

1. Pry off the top hinge cover.
2. Loosen the top hinge screws using a $\frac{5}{16}$ -inch socket or wrench.
3. Have someone hold the door in place or put a spacer between the doors while you tighten the top hinge screws.
4. Replace the top hinge cover.

Door Closing and Alignment

Door Closing

Your refrigerator has two front adjustable rollers – one on the right and one on the left. If your refrigerator seems unsteady or you want the doors to close more easily, adjust the refrigerator's tilt using the instructions below:

1. Plug refrigerator power cord into a 3 prong grounded outlet. Move the refrigerator into its final position.
2. Remove the base grille (see "Base Grille" earlier in this section). The two leveling screws are part of the front roller assemblies which are at the base of the refrigerator on either side.
3. Use a screwdriver to adjust the leveling screws. Turn the leveling screw to the right to raise that side of the refrigerator or turn the leveling screw to the left to lower that side. It may take several turns of the leveling screws to adjust the tilt of the refrigerator.

Understanding Sounds You May Hear

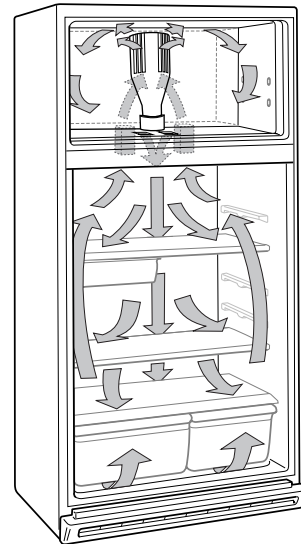
Your new refrigerator may make sounds that your old one didn't make. Because the sounds are new to you, you might be concerned about them. Most of the new sounds are normal. Hard surfaces, like the floor, walls, and cabinets, can make the sounds seem louder than they actually are. The following describes the kinds of sounds and what may be making them.

- If your product is equipped with an ice maker, you will hear a buzzing sound when the water valve opens to fill the ice maker for each cycle.
- The defrost timer will click when the automatic defrost cycle begins and ends. Also, the Thermostat Control (or Refrigerator Control depending on the model), will click when cycling on and off.
- Rattling noises may come from the flow of refrigerant, the water line, or items stored on top of the refrigerator.
- Your refrigerator is designed to run more efficiently to keep your food items at the desired temperature. The high efficiency compressor may cause your new refrigerator to run longer than your old one, and you may hear a pulsating or high-pitched sound.
- Water dripping on the defrost heater during a defrost cycle may cause a sizzling sound.
- You may hear the evaporator fan motor circulating the air through the refrigerator and freezer compartments.
- As each cycle ends, you may hear a gurgling sound due to the refrigerant flowing in your refrigerator.
- Contraction and expansion of the inside walls may cause a popping noise.
- You may hear air being forced over the condenser by the condenser fan.
- You may hear water running into the drain pan during the defrost cycle.

USING YOUR REFRIGERATOR

Ensuring Proper Air Circulation

In order to ensure proper temperatures, you need to permit air flow between the refrigerator and freezer sections. As shown in the illustration, cool air enters through the bottom of the freezer section and moves up. Most of the air then flows through the freezer section vents and recirculates under the freezer floor. The rest of the air enters the refrigerator section through the top vent.



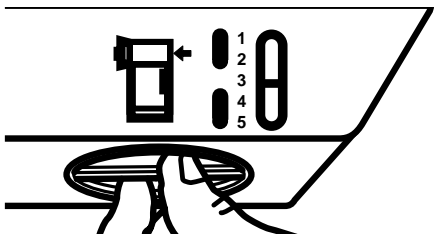
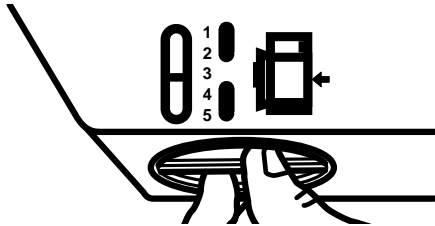
Do not block any of these vents with food packages. If the vents are blocked, airflow will be prevented and temperature and moisture problems may occur.

IMPORTANT: Because air circulates between both sections, any odors formed in one section will transfer to the other. You must thoroughly clean both sections to eliminate odors. To prevent odor transfer and drying out of food, wrap or cover foods tightly. (See the "Food Storage Guide" section for details.)

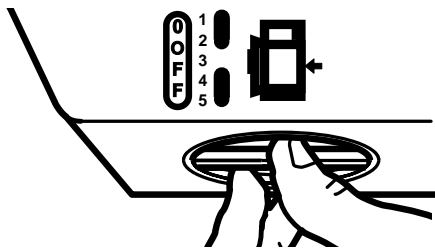
Setting the Controls

For your convenience, the refrigerator controls are preset at the factory. Controls for the refrigerator and freezer are located in the top of the refrigerator section.

When you first install your refrigerator, make sure that the controls are still preset. The Refrigerator Control and the Freezer Control should both be at the "mid-settings" (3), as shown in the illustrations below.



NOTE: To turn your refrigerator off, turn the Refrigerator Control one setting past Warmer until the word OFF appears, as shown below. Your refrigerator will not cool when the Refrigerator Control is set to OFF.



Give your refrigerator time to cool down completely before adding food. It is best to wait 24 hours before you put food into the refrigerator.

IMPORTANT: If you add food before the refrigerator has cooled completely, your food may spoil. **Turning the Refrigerator and Freezer Controls to a higher (colder) than recommended setting will not cool the compartments any faster.**

The Freezer Control functions as an airflow director. Setting "1" will direct more of the cold air into the refrigerator section, while setting "5" will direct more of the cold air into the freezer section. The cold air flows from the freezer compartment through the **top vent** into your fresh food section (see diagram in the "Ensuring Proper Air Circulation" section).

Adjusting Control Settings

Give the refrigerator time to cool down completely before adding food. It is best to wait 24 hours before you put food into the refrigerator. The "mid-settings" (3) indicated in the previous section should be correct for normal household refrigerator usage. The controls are set correctly when milk or juice is as cold as you like and when ice cream is firm.

The Refrigerator Control functions as the thermostat for the entire product (refrigerator and freezer sections). The higher the number setting, the longer the compressor will run to keep the temperature colder. The Freezer Control adjusts the cold air flow from the freezer to the refrigerator.

If you need to adjust temperatures in the refrigerator or freezer, start by adjusting the refrigerator first. Wait 24 hours after the refrigerator adjustment to check the freezer temperature. If it is too warm or too cold, then adjust the Freezer Control as well.

Use the settings listed in the chart below as a guide. **Always remember to wait at least 24 hours between adjustments.**

CONDITION/REASON:	RECOMMENDED ADJUSTMENT:
REFRIGERATOR section too warm <ul style="list-style-type: none"> ■ Door opened often ■ Large amount of food added ■ Room temperature very warm 	Turn REFRIGERATOR Control to next higher number, wait 24 hours, then re-check
FREEZER section too warm/ice not made fast enough <ul style="list-style-type: none"> ■ Door opened often ■ Large amount of food added ■ Very cold room temperature (can't cycle often enough) ■ Heavy ice usage ■ Air diffuser blocked by items 	Turn FREEZER Control to next HIGHER number, wait 24 hours, then re-check
REFRIGERATOR section too cold <ul style="list-style-type: none"> ■ Controls not set correctly for your conditions 	Turn REFRIGERATOR Control to next lower number, wait 24 hours, then re-check
FREEZER section too cold <ul style="list-style-type: none"> ■ Controls not set correctly for your conditions 	Turn FREEZER control to next lower number, wait 24 hours, then re-check

Food Storage Guide

Storing Fresh Food

Wrap or store food in the refrigerator in airtight and moisture-proof material unless otherwise noted. This prevents food odor and taste transfer throughout the refrigerator. For dated products, check code date to ensure freshness.

Butter or margarine

Keep opened butter in covered dish or closed compartment. When storing an extra supply, wrap in freezer packaging and freeze.

Cheese

Store in the original wrapping until you are ready to use it. Once opened, rewrap tightly in plastic wrap or aluminum foil.

Milk

Wipe milk cartons. For best storage, place milk on interior shelf.

Eggs

Store in original carton on interior shelf.

Fruit

Wash, let dry, and store in refrigerator in plastic bags or crisper. Do not wash or hull berries until they are ready to use. Sort and keep berries in original container in a crisper, or store in a loosely closed paper bag on a refrigerator shelf.

Leafy vegetables

Remove store wrapping and trim or tear off bruised and discolored areas. Wash in cold water and drain. Place in plastic bag or plastic container and store in crisper.

Vegetables with skins (carrots, peppers)

Place in plastic bags or plastic container and store in crisper.

Fish

Use fresh fish and shellfish the same day as purchased.

Meat

Store most meat in original wrapping as long as it is airtight and moisture-proof. Rewrap if necessary. See the following chart for storage times. When storing meat longer than the times given, freeze the meat.

Chicken.....	1-2 days
Ground beef.....	1-2 days
Variety meats (liver, heart, etc.).....	1-2 days
Cold cuts.....	3-5 days
Steaks/roasts.....	3-5 days
Cured meats.....	7-10 days

Leftovers

Cover leftovers with plastic wrap or aluminum foil. Plastic containers with tight lids can also be used.

Storing Frozen Food

NOTE: For further information about preparing food for freezing or food storage times, check a freezer guide or reliable cookbook.

Packaging

Successful freezing depends on the correct packaging. When you close and seal the package you must not allow air or moisture in or out. If you do, you could have food odor and taste transfer throughout the refrigerator, and also dry out frozen food.

Packaging recommendations:

- Rigid plastic containers with tight-fitting lids
- Straight-sided canning/freezing jars
- Heavy-duty aluminum foil
- Plastic-coated paper
- Non-permeable plastic wraps (made from saran film)
- Specified freezer self-sealing plastic bags

Follow package or container instructions for proper freezing methods.

Do not use:

- Bread wrappers
- Non-polyethylene plastic containers
- Containers without tight lids
- Wax paper or wax-coated freezer wrap
- Thin, semi-permeable wrap

Freezing

Your freezer will not quick-freeze any large quantity of food. Put no more unfrozen food into the freezer than will freeze within 24 hours (no more than 2 to 3 lbs of food per cubic foot [907-1,350 g per liter] of freezer space). Leave enough space in the freezer for air to circulate around packages. Be careful to leave enough room at the front so the door can close tightly.

Storage times will vary according to the quality and type of food, the type of packaging or wrap used (airtight and moisture-proof), and the storage temperature. Ice crystals inside a sealed package are normal. This simply means that moisture in the food and air inside the package have condensed, creating ice crystals.

NOTE: Allow hot foods to cool at room temperature for 30 minutes, then package and freeze. Cooling hot foods before freezing saves energy.

REFRIGERATOR FEATURES

Refrigerator Shelves

The shelves in your refrigerator are adjustable to meet your individual storage needs.

Storing similar food items together in your refrigerator and adjusting the shelves to fit different heights of items will make finding the exact item you want easier. It will also reduce the amount of time the refrigerator door is open, and save energy.

IMPORTANT: Do not clean glass shelves with warm water when they are cold. Shelves may break if exposed to sudden temperature changes or impact. For your protection tempered glass is designed to shatter into many small pebble-size pieces. This is normal.

NOTE: Glass shelves are heavy. Use special care when removing them to avoid impact from dropping.

To remove shelves from the shipping position (shelves are shipped upside down):

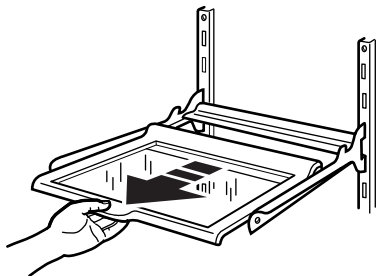
1. Grasp front of upper shelf with one hand and use other hand to remove packing material from shelf area.
2. Lower front of upper shelf until shelf hooks can be removed from slots in shelf supports on the back refrigerator wall. Pull shelf forward to remove.
3. Flip shelf over.
4. Insert rear shelf hooks into slots in shelf supports.
5. Tilt front of shelf up until rear hooks drop into slots.
6. Lower front of shelf. Check to make sure that shelf is securely in position.

Slide-out shelves (on some models)

Some shelves slide out, providing easier access to foods stored in back.

To slide out shelf, carefully pull front of shelf toward you.

To slide in shelf, push shelf in until it stops.



To remove a shelf from the metal frame:

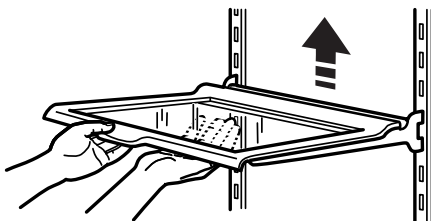
1. Pull shelf out to the stop.
2. Tilt front of the shelf up and pull it out a little farther.
3. Lift up shelf so that it moves through the slot in the frame.

Replace the shelf in the reverse order.

Shelves and shelf frames

To remove a shelf/frame:

1. Tilt up front of the shelf/frame.
2. Pull shelf/frame.



To replace a shelf/frame:

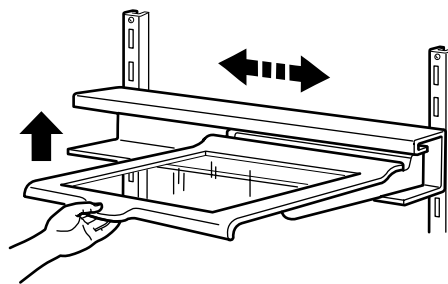
1. Guide the rear shelf hooks into the slots in the shelf supports on the back refrigerator wall.
2. Tilt up front of shelf/frame.
3. Lower the front of the shelf into position.

Lateral Adjustable Shelf (on some models)

To slide the shelf from side to side:

1. Lift up on the front of shelf and slide to the desired location.
2. Lower shelf to the level position.

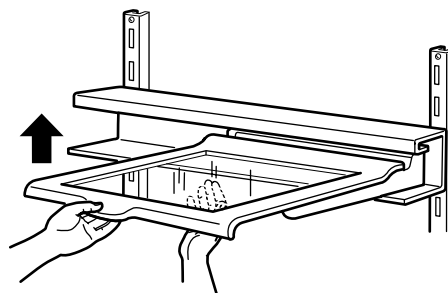
NOTE: You do not have to remove small items from the shelf before moving it from side to side. You may need to remove larger items.



To remove the shelf:

NOTE: The shelf is heavy and must be removed using both hands.

1. Remove all items from the shelf.
2. Hold the back of the shelf with one hand.
3. Lift the front of the shelf with the other hand to a 45° angle and lower it slightly to release it from the upper channel of the track.
4. Pull the shelf straight out.



To remove the shelf track:

1. Lift both sides of the track slightly.
2. Pull straight out.

To replace the shelf track:

1. Guide the track hooks into the shelf support slots on the back wall.

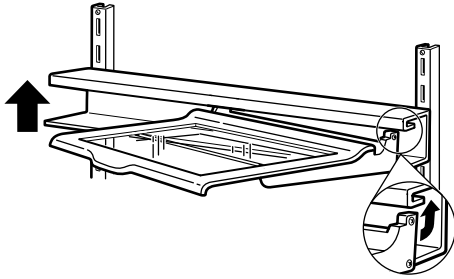
NOTE: Make sure that both sets of track hooks are in the slots and that the slots are parallel with each other.

2. Push the track back and down securely into the shelf supports.

To replace the shelf:

NOTE: Make sure that both of the rear shelf slides are securely in the track before letting go of the shelf. The lateral shelf may be difficult to install if the track is placed too close to the refrigerator ceiling. Reposition the track on a lower rung until the shelf can be tilted enough to easily slide into the track.

1. Hold the shelf at the front and tip the front at a 45° angle to the track.
2. Insert both of the rear shelf slides into the upper channel of the track.
3. Lower the front into place.



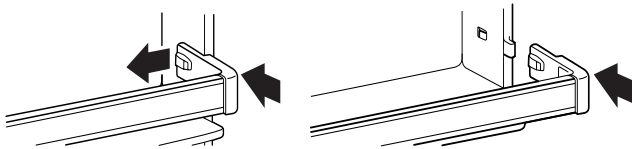
Door Rails

The door rails may be removed for easier cleaning.

Snap-on Door Rails

To remove the rails:

1. Remove all items from the shelf.
2. Push in slightly on the front of the bracket while pulling out on the inside tab.
3. Repeat these steps for the other end of the rail.



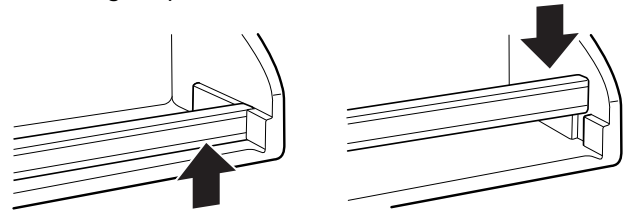
To replace the rails:

1. Line up the ends of the brackets with the buttons on the sides of the door liner.
2. Firmly snap bracket and rail assembly onto the tabs above the shelf as shown.

Drop-in Door Rails

To remove the rails:

1. Remove all items from the shelf.
2. Pull straight up on each end of the rail.



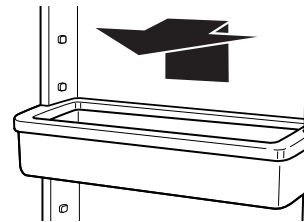
To replace the rails:

1. Slide the shelf rail into the slots on the door.
2. Push the rail straight down until it stops.

Door Bins (on some models)

The door bins are removable for easy cleaning and adjusting.

1. **To remove the bin**, simply lift the bin up and pull straight out.
2. **To replace the bin**, slide it in above the desired support button and push down until it stops.

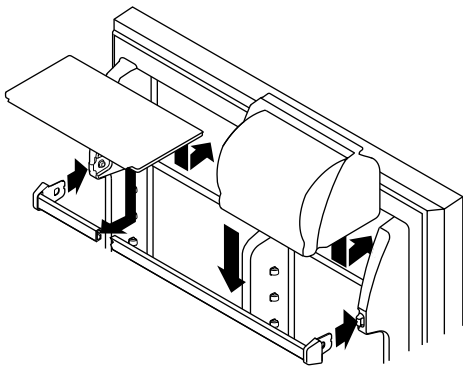


Adjustable Utility Compartment & Tray (on some models)

The utility compartment and tray slide from one side to the other for more flexible storage. The tray fits on either side of the utility compartment or partially underneath it. Try moving it into different places to find the option that works best for you.

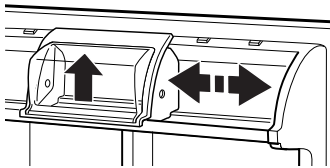
To install the utility compartment and tray:

1. Insert the front of the utility tray into the slot on the back of the shelf rail. Lower the back of the tray into position.
2. Place the front of the utility compartment on top of the shelf rail. Lower the back of the compartment onto the ribs on the refrigerator door.



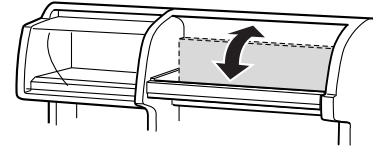
To adjust the utility compartment or tray:

1. Lift the front slightly.
2. Slide to desired position.
3. Lower front to lock into place.



Flip-up Door Shelf (on some models)

The shelf bottom flips up so you can store taller items in the door shelf below. When in the down position, the shelf is strong enough to hold up to 10 pounds (4.5 kg).



Meat Drawer and Cover (on some models)

To remove the meat drawer:

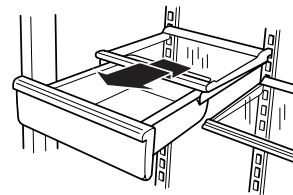
1. Slide meat drawer out to the stop.
2. Lift front of meat drawer with one hand while supporting bottom of drawer with other hand. Slide drawer out the rest of the way.
3. Replace by sliding the drawer back in fully past the drawer stop.

To replace the meat drawer:

1. Guide the drawer into the meat cover supports.
2. Push the drawer in until it stops.

To remove the cover (Style 1):

1. Remove meat drawer.
2. Tilt front of cover up.
3. Lift back of cover.
4. Pull cover straight out.



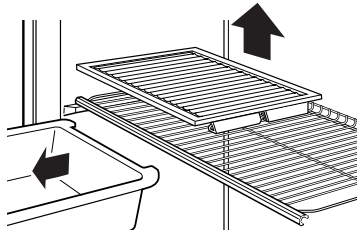
To replace the cover:

1. Guide the cover's rear hooks into the slots in the shelf supports on the back wall.
2. Tilt cover up at the front until the rear hooks drop into the slots.
3. Lower front of cover to a level position and replace meat drawer.

To remove the cover (Style 2):

1. Remove meat drawer.
2. Push cover back to release the rear of the cover from the shelf.

3. Tilt cover up at the front.
4. Pull cover forward and out.



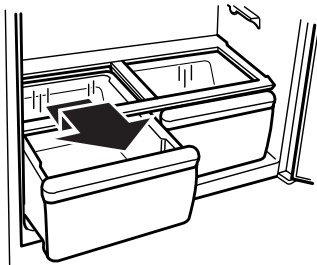
To replace the cover:

1. Fit notches and rear edge of cover over rear and center crossbars on the shelf.
2. Lower cover into place.
3. Replace the meat drawer.

Crisper and Crisper Cover (on some models)

To remove the crisper:

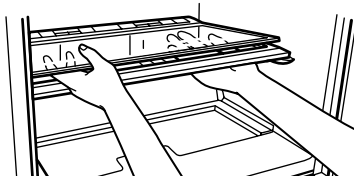
1. Slide crisper straight out to the stop.
2. Lift the front.
3. Slide crisper out the rest of the way.
4. Replace the crisper by sliding it back in fully past the drawer stop.



To remove the crisper cover:

1. Remove both crispers.
2. Holding glass insert firmly, grasp one side of crisper cover and lift the other side up from the bottom.
3. Slide the glass insert out to remove.
4. Lift cover frame up and remove.

NOTE: Before reinstalling the cover, make sure the U-shaped reinforcement bar is reinstalled.



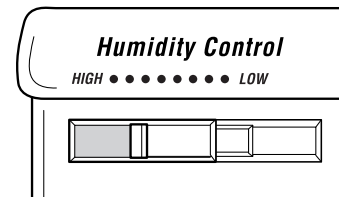
To replace crisper cover:

1. Fit back of cover frame into supports on side walls of the refrigerator.
2. Lower front of the cover frame into place.
3. Slide rear of glass insert into cover frame and lower front into place.

Crisper Humidity Control (on some models)

You can control the amount of humidity in the moisture-sealed crisper. Adjust the control to any setting between LOW and HIGH.

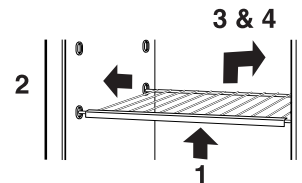
- LOW (open) lets moist air out of the crisper for best storage of fruits and vegetables with skins.
- HIGH (closed) keeps moist air in the crisper for best storage of fresh, leafy vegetables.



Freezer Shelf (on some models)

To remove the shelf:

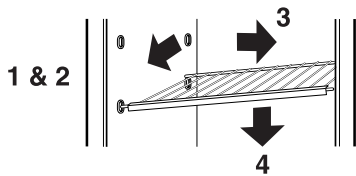
1. Lift entire shelf slightly.
2. Move shelf all the way to one side.
3. Tilt other side up and out of shelf supports.
4. Pull shelf up and out.



To replace the shelf:

1. Tilt the shelf and insert into freezer compartment.
2. Insert one end of the shelf all the way into the center of the shelf supports.
3. Lower other end of shelf and insert into the shelf supports.

- Lower shelf into place.



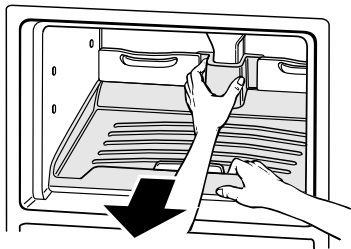
NOTE: The shelf should lower slightly and lock into place. If the shelf does not appear stable, make sure both ends of the shelf are inserted into the shelf supports.

Pull-out Freezer Floor (on some models)

The freezer floor pulls out for easier access to foods in the back of the freezer and for easier cleaning.

To remove the freezer floor:

- Remove all food items from the freezer floor.
- Lift both back “fences” up and out.
- Pull the floor out about 1 inch (2.5 cm) with one hand around the air tower section (center back) and one hand at center front.
- Lift up floor at rear until hooks release from cabinet.
- Pull floor out the rest of the way.



To replace the freezer floor:

- Position back of floor into freezer opening.
- Slide floor straight in until hooks drop into place at rear of cabinet.
- Replace “fences” by aligning pins with socket in the floor, and pushing down until they snap into place.

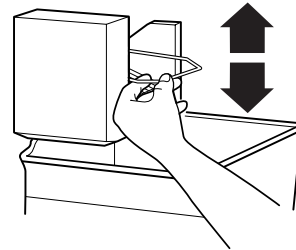
Ice Maker Operation (on some models)

After the freezer section reaches normal freezer temperature, the ice maker fills with water and begins forming ice. Allow 24 hours to produce the first batch of ice. Ice maker should then produce approximately 7 to 9 batches of ice in a 24-hour period. Discard the first three batches of ice produced to avoid impurities that may be flushed out of the system.

After ice is made, the ice cubes drop into the storage bin. When ice storage bin is full, ice maker arm raises to the “OFF” position (arm up). If ice is not needed, you can stop the ice maker by raising the arm to the “OFF” position (arm up). Listen for a click sound to be sure that the ice maker will not continue to operate.

To start ice maker, lower arm to the “ON” position (arm down). Do not force arm up or down. Do not store anything on top of the ice maker or in the ice storage bin.

- The ON/OFF lever for the ice maker is a wire signal arm located on the side of the ice maker. Push the arm down to start making ice automatically, and push it up to shut off the ice maker.



- It is normal for the ice cubes to be attached at the corners. They will break apart easily.
- The ice maker will not operate until the freezer is cold enough to make ice. This can take as long as overnight.
- If ice is not being made fast enough and more ice is needed, turn the Freezer Control toward a higher (colder) number in half number steps. (For example, if the control is at 3, move it to between 3 and 4.) Wait 24 hours and, if necessary, gradually turn the Freezer Control to the highest setting, waiting 24 hours between each increase.

REMEMBER:

- The quality of your ice will be only as good as the quality of the water supplied to your ice maker.
- Avoid connecting the ice maker to a softened water supply. Water softener chemicals (such as salt) can damage parts of the ice maker and lead to poor quality ice. If a softened water supply cannot be avoided, make sure the water softener is operating properly and is well maintained.

CARING FOR YOUR REFRIGERATOR

Cleaning Your Refrigerator

⚠ WARNING



Explosion Hazard

Use nonflammable cleaner.
Failure to do so can result in death, explosion, or fire.

Both the refrigerator and freezer sections defrost automatically. However, clean both sections about once a month to prevent odors from building up. Wipe up spills immediately.

Energy Saving Tip:

Clean the condenser coils regularly, as described in the cleaning chart in this section.

To clean your refrigerator:

- Unplug refrigerator or disconnect power.
- Remove all removable parts from inside, such as shelves, crispers, etc.
- Use a clean sponge or soft cloth and a mild detergent in warm water. Do not use abrasive or harsh cleaners.
- Hand wash, rinse, and dry all surfaces thoroughly.
- Plug in refrigerator or reconnect power.

■ Additional cleaning tips are listed below:

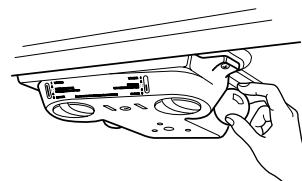
PART	COMMENTS
Outside	■ Waxing external painted metal surfaces helps provide rust protection. Do not wax plastic parts. Wax painted metal surfaces at least twice a year using appliance wax (or auto paste wax). Apply wax with a clean, soft cloth.
Inside walls (allow freezer to warm up so cloth won't stick)	■ To help remove odors, you can wash with a mixture of warm water and baking soda (2 tbs to 1 qt [26 g to .95 L] of water).
Door liners and gaskets	■ Do not use cleaning waxes, concentrated detergents, bleaches, or cleaners containing petroleum on plastic parts.
Plastic parts (covers and panels)	■ Do not use paper towels, window sprays, scouring cleansers or flammable fluids. These can scratch or damage material.
Condenser coils	■ Remove base grille. (See the "Base Grille" section.) ■ Use a vacuum with an extended attachment to clean condenser coils. ■ Vacuum coils when dusty or dirty. Coils may need to be cleaned as often as every other month. ■ Replace base grille.

Changing the Light Bulbs

NOTE: Not all appliance bulbs will fit your refrigerator. Be sure to replace the bulb with one of the same size, shape, and wattage.

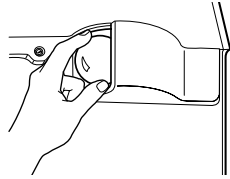
To change the refrigerator light:

1. Unplug refrigerator or disconnect power.
2. Reach behind the Control Panel and unscrew the bulb.
3. Replace the bulb with an appliance bulb of the same wattage.
4. Plug in refrigerator or reconnect power.



**To change freezer light:
(on some models)**

1. Unplug refrigerator or disconnect power.
2. Reach behind light shield to remove bulb.
3. Replace bulb with a 40-watt appliance bulb.
4. Plug in refrigerator or reconnect power.



Power Interruptions

If the electricity in your house goes off, call the power company and ask how long it will be off.

1. If the power will be out for **24 hours or less**, keep both **refrigerator doors closed** to help foods stay cold and frozen.
2. If the power will be out for **more than 24 hours**:
 - a) Remove all frozen food and store it in a frozen food locker.

OR

- b) Place 2 lbs (907 g) of dry ice in the freezer for every cubic foot (28 L) of freezer space. This will keep the food frozen for two to four days. While handling dry ice, wear gloves to protect your hands from ice burns.

OR

- c) If neither a food locker nor dry ice is available, consume or can perishable food at once.

REMEMBER: A full freezer stays cold longer than a partially filled one. A freezer full of meat stays cold longer than a freezer full of baked goods. If you see that food contains ice crystals, it may be safely refrozen, although the quality and flavor may be affected. If the condition of the food is poor, or if you feel it is unsafe, dispose of it.

Vacation and Moving Care

Vacations

If you choose to leave the refrigerator on while you're away, use these steps to prepare your refrigerator before you leave.

1. Use up any perishables and freeze other items.
2. If your refrigerator has an automatic ice maker:
 - Raise ice maker arm to OFF (up) position.
 - Shut off water supply to the ice maker.
3. Empty the ice bin.

If you choose to turn the refrigerator off before you leave, follow these steps.

1. Remove all food from the refrigerator.
2. If your refrigerator has an automatic ice maker:
 - Turn off the water supply to the ice maker at least one day ahead of time.
 - When the last load of ice drops, raise the ice maker arm to the OFF (up) position.
3. Depending on your model, turn the Thermostat Control (or Refrigerator Control, depending on the model) to OFF. See the "Setting the Controls" section.
4. Clean refrigerator, wipe it, and dry well.
5. Tape rubber or wood blocks to the tops of both doors to prop them open far enough for air to get in. This stops odor and mold from building up.

Moving

When you are moving your refrigerator to a new home, follow these steps to prepare it for the move.

1. If your refrigerator has an automatic ice maker:
 - Turn off the water supply to the ice maker at least one day ahead of time.
 - Disconnect the water line from the back of the refrigerator.
 - When the last load of ice drops, raise the ice maker arm to the OFF (up) position.
2. Remove all food from the refrigerator and pack all frozen food in dry ice.
3. Depending on your model, turn the Thermostat Control (or Refrigerator Control, depending on the model) to OFF. See the "Setting the Controls" section.
4. Unplug the refrigerator.
5. Empty water from the defrost pan.
6. Clean, wipe, and dry thoroughly.
7. Take out all removable parts, wrap them well, and tape them together so they don't shift and rattle during the move.
8. Depending on the model, raise the front of the refrigerator so it rolls more easily OR screw in the leveling legs so they don't scrape the floor. See the "Door Closing" section.
9. Tape the doors shut and the power cord to the refrigerator cabinet.

When you get to your new home, put everything back and refer to the "Installing Your Refrigerator" section for preparation instructions. Also, if your refrigerator has an automatic ice maker, remember to reconnect the water supply to the refrigerator.

TROUBLE-SHOOTING

Try the solutions suggested here first in order to avoid the cost of an unnecessary service call.

Your refrigerator will not operate

- **Is the power supply cord unplugged?**
Firmly plug the cord into a live outlet with proper voltage.
- **Has a household fuse or circuit breaker tripped?**
Replace the fuse or reset the circuit.
- **Is the Refrigerator Control turned to the "OFF" position?**
Refer to the "Setting the Controls" section.
- **Is the refrigerator defrosting?**
Recheck to see if the refrigerator is operating in 30 minutes. Your refrigerator will regularly run an automatic defrost cycle.

The lights do not work

- **Is the power supply cord unplugged?**
Firmly plug the cord into a live outlet with proper voltage.
- **Is a light bulb loose in the socket?**
Turn the refrigerator control to OFF. Disconnect the refrigerator from the electrical supply. Gently remove the bulb and reinsert. Then reconnect the refrigerator to the electrical supply and reset the refrigerator control.
- **Has a light bulb burned out?**
Replace with an appliance bulb of the same wattage, size, and shape. See the "Changing the Light Bulbs" section.

There is water in the defrost drain pan

- **Is the refrigerator defrosting?**
The water will evaporate. It is normal for water to drip into the defrost pan.
- **Is it more humid than normal?**
Expect that the water in the defrost pan will take longer to evaporate. This is normal when it is hot or humid.

The motor seems to run too much

- **Is the room temperature hotter than normal?**
Expect the motor to run longer under warm conditions. At normal room temperatures, expect your motor to run about 40% to 80% of the time. Under warmer conditions, expect it to run even more of the time.
- **Has a large amount of food just been added to the refrigerator?**
Adding a large amount of food warms the refrigerator. It is normal for the motor to run longer in order to cool the refrigerator back down. See the "Food Storage Guide" section.
- **Are the doors opened often?**
Expect the motor to run longer when this occurs. In order to conserve energy, try to get everything you need out of the refrigerator at once, keep food organized so it is easy to find, and close the door as soon as the food is removed.
- **Is the control set correctly for the surrounding conditions?**
Refer to the "Setting the Controls" section.
- **Are the doors closed completely?**
Push the doors firmly shut. If they will not shut all the way, see "The doors will not close completely" later in this section.
- **Are the condenser coils dirty?**
This prevents air transfer and makes the motor work harder. Clean the condenser coils. Refer to the "Cleaning Your Refrigerator" section.

NOTE: Your new refrigerator will run longer than your old one due to its high efficiency motor.

The refrigerator seems to make too much noise

- **The sounds may be normal for your refrigerators.**
Refer to the "Understanding Sounds You May Hear" section.

The ice maker is not producing ice

- **Is the freezer temperature cold enough to produce ice?**
Wait 24 hours after hook-up for ice production. See the "Setting the Controls" section.
- **Is the ice maker arm in the "OFF" (arm up) position?**
Lower arm to the "ON" (arm down) position. See the "Ice Maker Operation" section.
- **Is the water line shut-off valve to the refrigerator turned on?**
Turn on the water valve. See the "Connecting the Refrigerator to a Water Source" section.
- **Is an ice cube jammed in the ejector arm?**
Remove the ice from the ejector arm with a plastic utensil. Refer to the "Ice Maker Operation" section.
- **Does the ice maker mold have water in it or has no ice been produced?**
Check to see if your refrigerator has been connected to your home water supply and the supply shut-off valve is turned on. Refer to the "Connecting the Refrigerator to a Water Source" section.

NOTE: If not due to any of the above, there may be a problem with the water line. Call for service.

The ice maker is producing too little ice

- **Has the ice maker just been installed?**
Wait 72 hours for full ice production to begin. Once your refrigerator is cooled down, the ice maker should begin producing 70-120 cubes every 24 hours.
- **Has a large amount of ice just been removed?**
Allow 24 hours for ice maker to produce more ice.
- **Is the control set correctly?**
Refer to the "Setting the Controls" section.
- **Is the water shut-off valve turned completely on?**
Turn valve on fully. Refer to the "Connecting the Refrigerator to a Water Source" section.
- **Is there a water filter installed on the refrigerator? This filter may be clogged or installed incorrectly.**
First, check the filter installation instructions to ensure that the filter was installed correctly and is not clogged. If installation or clogging is not a problem, call a qualified person or a technician.

Off-taste or odor in the ice

- **Are the plumbing connections new, causing discolored or off-flavored ice?**
Discard the first few batches of ice.
- **Have the ice cubes been stored for too long?**
Throw old ice away and make a new supply.
- **Has food in the refrigerator been wrapped properly?**
Refer to the "Food Storage Guide" section.
- **Do the freezer and ice bin need to be cleaned?**
See the "Cleaning Your Refrigerator" section.
- **Does the water contain minerals (such as sulfur)?**
A filter may need to be installed to remove the minerals.

The divider between the two compartments is warm

The warmth is probably due to normal operation of the automatic exterior moisture control.

Temperature is too warm

- **Are the air vents blocked in either compartment? This prevents the movement of cold air from the freezer to the refrigerator.**
Remove any objects from in front of the air vents. Refer to "Ensuring Proper Air Circulation" for the location of air vents.
- **Are the door(s) opened often?**
Be aware that the refrigerator will warm when this occurs. In order to keep the refrigerator cool, try to get everything you need out of the refrigerator at once, keep food organized so it is easy to find, and close the door as soon as the food is removed.
- **Has a large amount of food just been added to the refrigerator or freezer?**
Adding a large amount of food warms the refrigerator. It can take several hours for the refrigerator to return to the normal temperature.
- **Is the control set correctly for the surrounding conditions?**
Refer to the "Setting the Controls" section.

There is interior moisture build-up

- **Are the air vents blocked in the refrigerator?**
Remove any objects from in front of the air vents. Refer to "Ensuring Proper Air Circulation" for the location of air vents.
- **Is the door opened often?**
To avoid humidity build-up, try to get everything you need out of the refrigerator at once, keep food organized so it is easy to find, and close the door as soon as the food is removed. (When the door is opened, humidity from the room air enters the refrigerator. The more often the door is opened, the

faster humidity builds up, especially when the room itself is very humid.)

- **Is the room humid?**
It is normal for moisture to build up inside the refrigerator when the room air is humid.
- **Is the food packaged correctly?**
Check that all food is securely wrapped. If necessary, repackage food according to the guidelines in the "Food Storage Guide" section. Wipe off damp food containers before placing in the refrigerator.
- **Is the control set correctly for the surrounding conditions?**
Refer to the "Setting the Control" section.
- **Was a self-defrost cycle completed?**
It is normal for droplets to form on the back wall after the refrigerator self-defrosts.

The doors are difficult to open

- **Are the gaskets dirty or sticky?**
Clean gaskets and the surface that they touch. Rub a thin coat of paraffin wax on the gaskets following cleaning.

The doors will not close completely

- **Are food packages blocking the door open?**
Rearrange containers so that they fit more tightly and take up less space.
- **Is the ice bin out of position?**
Push the ice bin in all the way.
- **Are the crisper cover, pans, shelves, bins, or baskets out of position?**
Put the crisper cover and all pans, shelves, bins, and baskets back into their correct positions. See the "Refrigerator Features" section for more information.
- **Are the gaskets sticking?**
Clean gaskets and the surface that they touch. Rub a thin coat of paraffin wax on the gaskets following cleaning.
- **Does the refrigerator wobble or seem unstable?**
Level the refrigerator. Refer to the "Door Closing and Alignment" section.
- **Were the doors removed during product installation and not properly replaced?**
Remove and replace the doors according to the "Reversing the Door Swing" section, or call a qualified service technician.

ASSISTANCE OR SERVICE

Before calling for assistance or service, please check "Troubleshooting." It may save you the cost of a service call. If you still need help, follow the instructions below.

Contact the dealer from whom you purchased the unit or a Whirlpool designated service company.

When asking for help or service, please provide a detailed description of the problem, your model's complete model and serial numbers, and the purchase date. This information will help us to better respond to your request.

If you need replacement parts

If you need to order replacement parts, we recommend that you only use Factory Specified Parts. Factory Specified Parts will fit right and work right because they are made with the same precision used to build every new WHIRLPOOL® appliance.

To locate factory specified replacement parts in your area, call our Consumer Assistance Center telephone number or your nearest designated service center.

For further assistance

If you need further assistance, you can write to Whirlpool with any questions or concerns at:

Whirlpool Brand Home Appliances
Consumer Assistance Center
c/o Correspondence Dept.
2000 North M-63
Benton Harbor, MI 49022-2692

Please include a daytime phone number in your correspondence.

WHIRLPOOL® REFRIGERATOR WARRANTY

ONE-YEAR FULL WARRANTY ON REFRIGERATOR.

For one year from the date of purchase, when this refrigerator is operated and maintained according to instructions attached to or furnished with the product, Whirlpool will pay for Factory Specified Parts and repair labor to correct defects in materials or workmanship. Service must be provided by a Whirlpool designated service company.

FIVE-YEAR FULL WARRANTY ON SEALED REFRIGERATION SYSTEM.

For five years from the date of purchase, when this refrigerator is operated and maintained according to instructions attached to or furnished with the product, Whirlpool will pay for Factory Specified Parts and repair labor to correct defects in materials or workmanship in the sealed refrigeration system. These parts are: compressor, evaporator, condenser, dryer, connecting tubing. Service must be provided by a Whirlpool designated service company.

Whirlpool Corporation will not pay for:

1. Service calls to correct the installation of your refrigerator, to instruct you how to use your refrigerator, to replace house fuses or correct house wiring or plumbing, to replace light bulbs.
 2. Repairs when your refrigerator is used in other than normal, single-family household use.
 3. Pickup and delivery. Your refrigerator is designed to be repaired in the home.
 4. Damage to your refrigerator caused by accident, misuse, fire, flood, acts of God, or use of products not approved by Whirlpool.
 5. Any food loss due to product failure.
 6. Repairs to parts or systems resulting from unauthorized modifications made to the appliance.
 7. Replacement parts or repair labor costs for units operated outside the United States.
-

WHIRLPOOL CORPORATION SHALL NOT BE LIABLE FOR INCIDENTAL OR CONSEQUENTIAL DAMAGES

Some states do not allow the exclusion or limitation of incidental or consequential damages, so this exclusion or limitation may not apply to you. This warranty gives you specific legal rights, and you may also have other rights which vary from state to state or province to province.

Outside the United States, a different warranty may apply. For details, please contact your authorized Whirlpool dealer.

If you need service, please consult the "Troubleshooting" section of this book. After checking "Troubleshooting", additional help can be found by checking the "Assistance or Service" section.

3/99

Keep this book and your sales slip together for future reference. You must provide proof of purchase or installation date for in-warranty service.

Write down the following information about your refrigerator to better help you obtain assistance or service if you ever need it. You will need to know your complete model number and serial number. You can find this information on the model and serial number label, located on your appliance as shown in the Parts and Features section of this book.

Dealer name _____

Address _____

Phone number _____

Model number _____

Serial number _____

Purchase date _____
