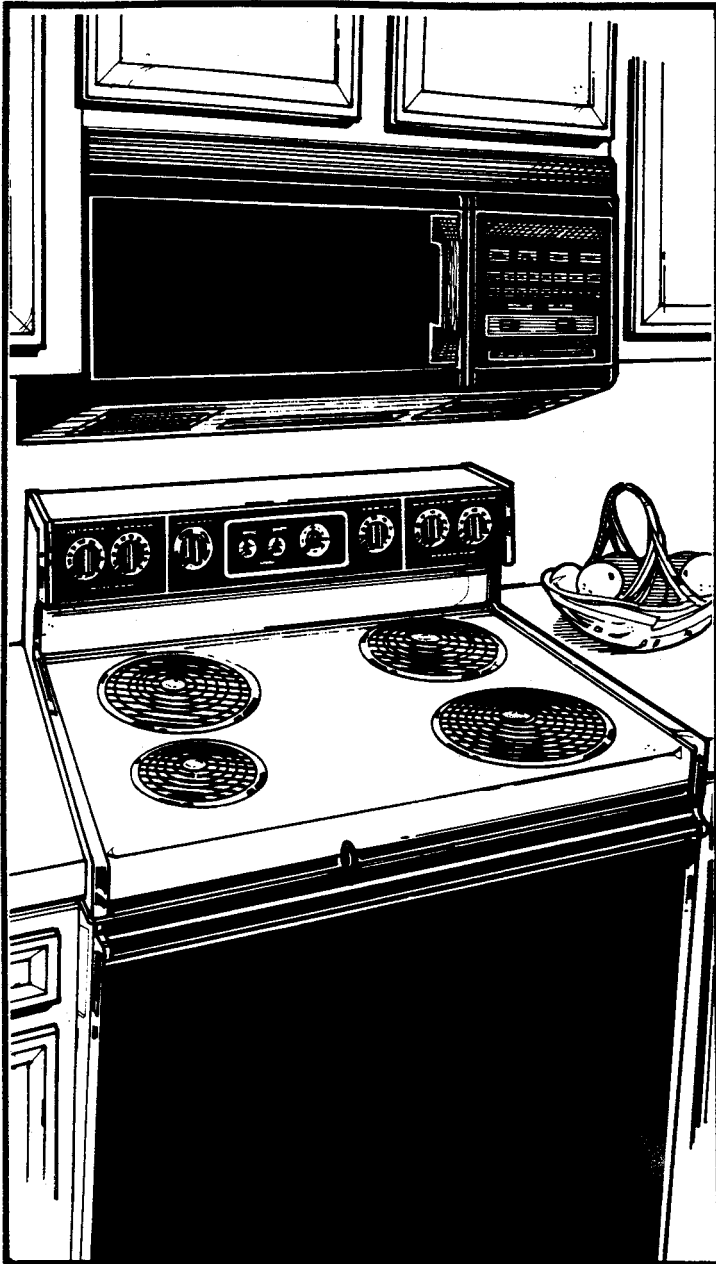


Installation Instructions for your Microwave Oven



Installation Instructions for
Cabinet-Wall Mounted
Microwave Oven
with Built-in Vent
& Cooktop Light

Safety Instructions p2

Installation Hardware p3

Mounting Information p4

Product Preparation p6

Ventilation Systems p8

Product Mounting p11

MWD366 - MNO2

Save this Book with your Use & Care Book

Introduction

Your Over-the-Range microwave oven comes complete with an installation instruction kit which contains the following three pieces of information required to install it.

- I. This installation instruction booklet, complete with diagrams on preparing your cabinets and microwave oven for installation.
- II. The Top Cabinet Template, used to locate the power cord clearance hole, cabinet mounting holes and the vertical exhaust location.
- III. The Wall Mount Template, used to locate the mounting plate holes and to locate the horizontal exhaust location.

Please read all of the instructions thoroughly before installing your microwave oven.

NOTE:
IT IS RECOMMENDED THAT TWO PEOPLE INSTALL THIS PRODUCT.
IMPORTANT:
KEEP INSTRUCTIONS FOR LOCAL ELECTRICAL INSPECTOR'S USE.

Important Safety Information

Safety Instructions

This product requires a three prong grounded receptacle. The installer must perform a ground continuity check on the power outlet box before beginning the installation to insure that the outlet box is properly grounded. If not properly grounded, or if the outlet box does not meet the electrical requirements noted, (under **ELECTRICAL REQUIREMENTS**), a qualified electrician should be employed to correct any deficiencies.

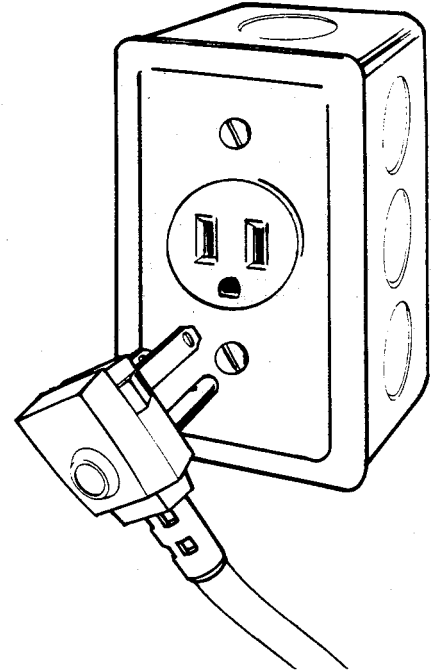
CAUTION: FOR PERSONAL SAFETY, REMOVE HOUSE FUSE OR OPEN CIRCUIT BREAKER BEFORE BEGINNING INSTALLATION TO AVOID SEVERE OR FATAL SHOCK INJURY.

CAUTION: FOR PERSONAL SAFETY, THE MOUNTING SURFACE MUST BE CAPABLE OF SUPPORTING THE CABINET LOAD, IN ADDITION TO THE ADDED WEIGHT OF THIS 85 POUND PRODUCT, PLUS ADDITIONAL OVEN LOADS OF UP TO 50 POUNDS OR A TOTAL WEIGHT OF 135 POUNDS.

CAUTION: FOR PERSONAL SAFETY THIS PRODUCT CANNOT BE INSTALLED TO CABINET ARRANGEMENTS SUCH AS AN ISLAND OR A PENINSULA. IT MUST BE MOUNTED TO BOTH A TOP CABINET AND A WALL.

Electrical Requirements

Product rating is 120 volts AC, 60 Hertz, 11.2 amps, and 1.35 kilowatts. This product must be connected to a supply circuit of the proper voltage and frequency. Wire size must conform to the requirements of the National Electric Code or the prevailing local code for this kilowatt rating. The power supply cord and plug should be brought to a separate 15 or 20 ampere branch circuit single grounded receptacle. The outlet box should be located near the cord entry point. The outlet box and supply circuit should be installed by a qualified electrician and conform to the National Electric Code or the prevailing local code.



Installation Hardware

The following is a list of parts you may need for installing your Over-the-Range microwave oven. You will find them packaged inside the microwave cooking cavity. Remove all parts from the oven cavity and compare them with the parts list and illustration to be sure that none are missing. Use this time to become familiar with each piece.

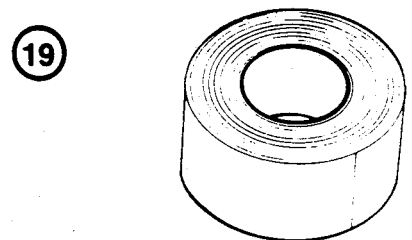
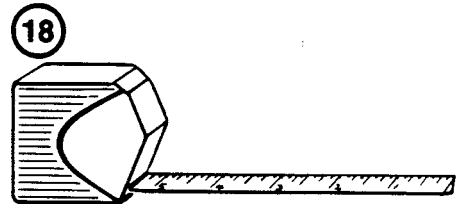
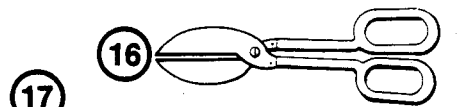
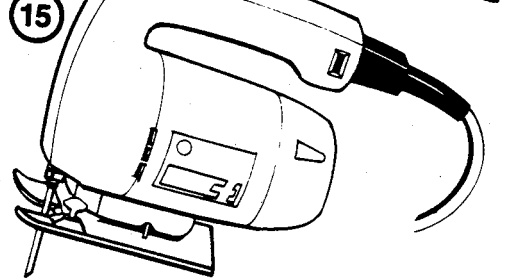
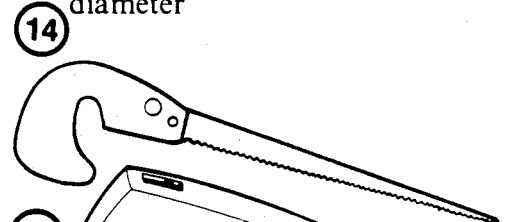
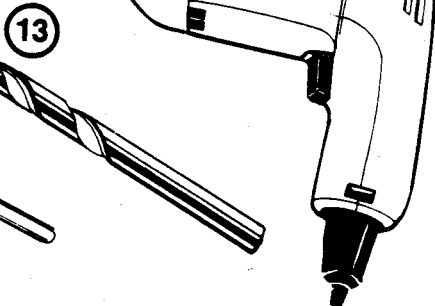
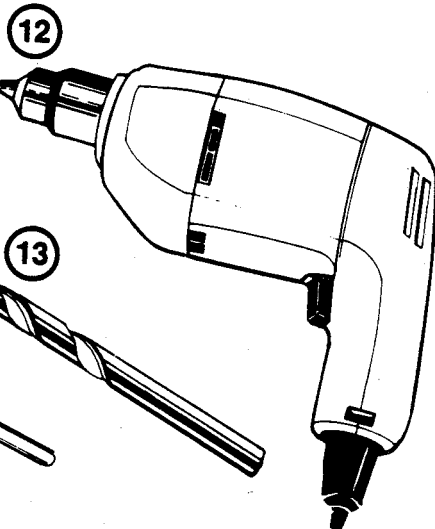
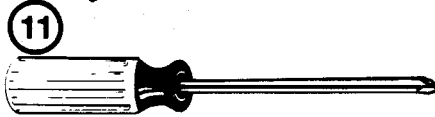
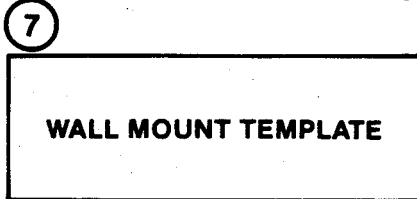
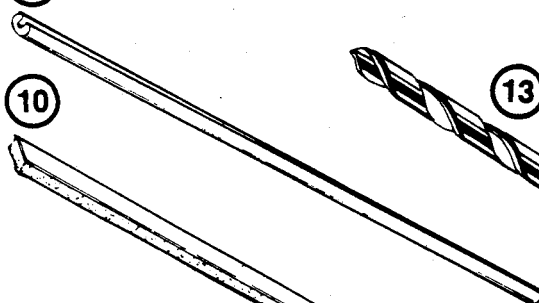
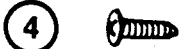
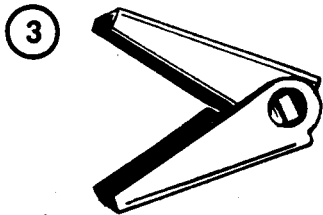
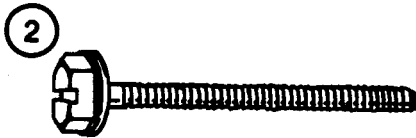
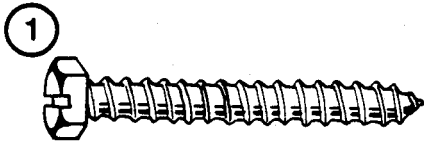
Parts List

1. (3) Lag Screws 1/4" x 2"
2. (4) Toggle Bolts 3"
3. (4) Spring Loaded Toggle Nuts
4. (2) Power Cord Hanger Screws
5. (2) Power Cord Hangers
6. (1) Grommet
7. (1) Wall Mount Template
8. (1) Top Cabinet Template
9. (4) Sets (3 bolts each) of Cabinet Mounting Bolts Sizes: (1/4" x 1-3/8") (1/4" x 2") (1/4" x 2-1/2") (1/4" x 3-1/8")
10. (1) 28" Piece of Foam Tape

Tools

The following tools may be needed for the installation of your microwave oven.

11. Phillips screwdrivers, (#1 & #2); Flat Blade Screwdriver 1/4" x 4"
12. Electric Drill Motor
13. 1/2" & 5/8" Wood Bits & 3/16" Drill Bit
14. Saw to cut exhaust opening, (if needed), OR
15. Jig Saw
16. Tin Snips (if needed)
17. Pencil
18. Tape Measure
19. Paper Tape & Duct Tape
20. (3) Washers 3/4" diameter

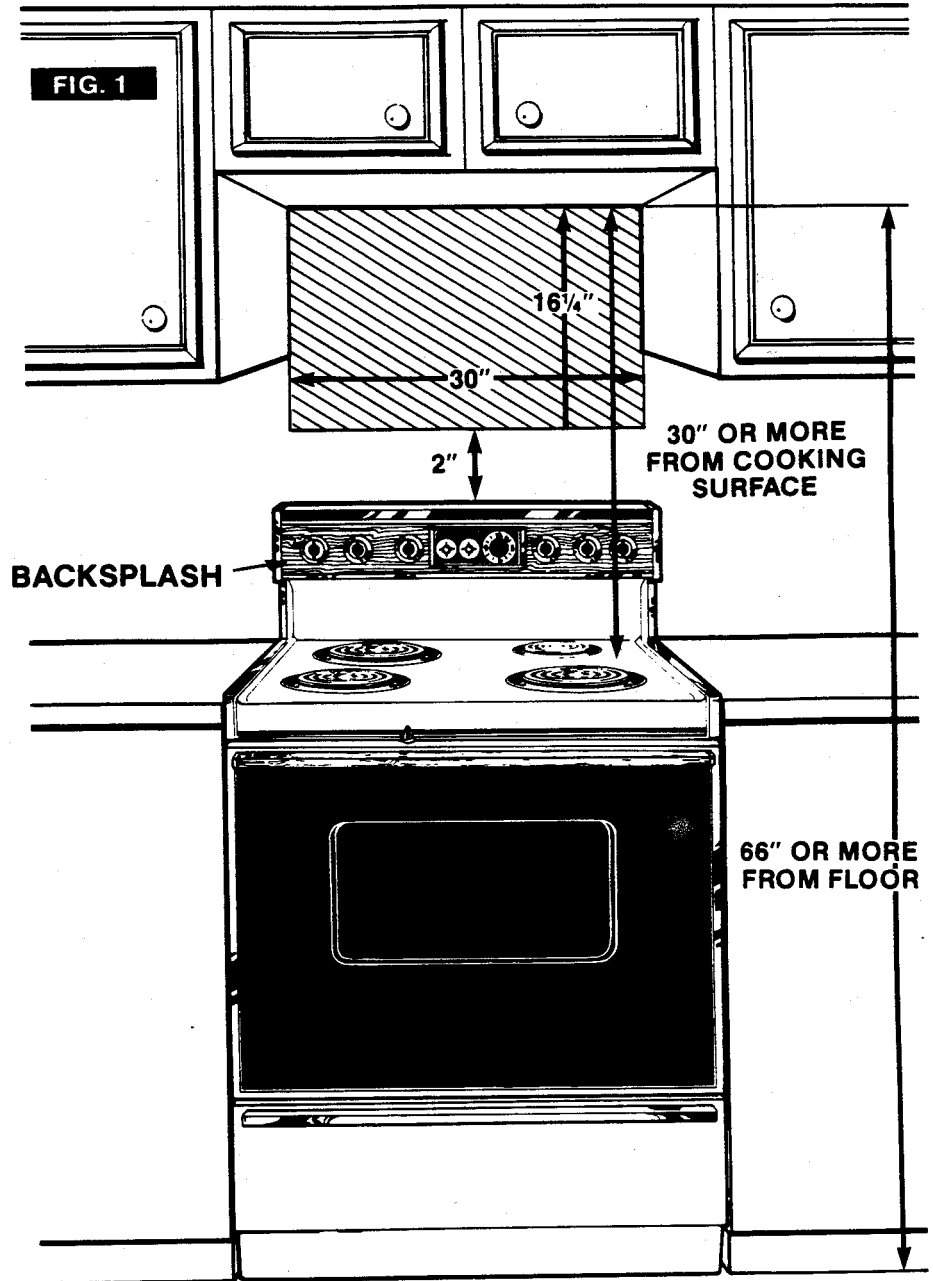


Mounting Space

Your Over-the-Range microwave oven requires mounting space on a wall as shown.

Fig. 1.

1. A minimum of 30" between wall hung side cabinets is required for installation. Make sure the bottom edge of the top cabinet is at least 66" from the floor and 30" from the cooking surface.
2. For easier access to the hood lamp, the bottom of the microwave oven should be at least 2" above the range backsplash.
3. If you are going to vent your microwave oven to the outside, see page 7 for exhaust duct preparation.
4. If the space between the wall hung cabinets is greater than 30", KMW81 Filler Panel Kit may be used to fill in the gap between the Over-the-Range microwave oven and the wall hung cabinets. The KMW81 is sold as an accessory kit. (See page 12 for details of the KMW81.)



Your Over-the-Range microwave oven should be mounted against and supported by a flat, vertical wall. Wall construction should be a minimum of 2" x 4" wall studding and $\frac{3}{8}$ " or more, thick drywall or plaster/lath. The oven must be attached to a minimum of one 2" x 4" wall stud. **Fig. 2.**

For proper installation the wall must be capable of supporting the cabinet load plus a minimum of 135 pounds, (the 85 pound weight of the microwave oven and load weight allowance of 50 pounds.)

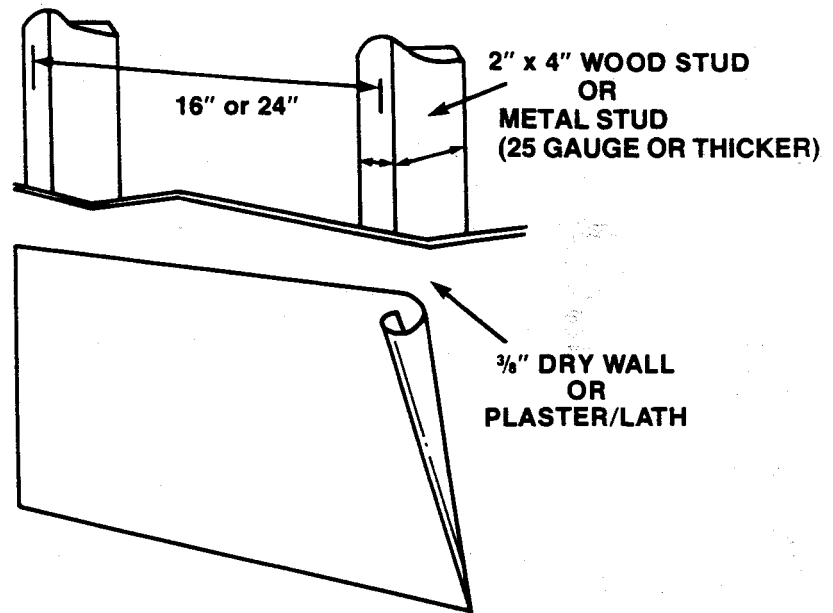
To find studs, use one of the following methods:

- I. Stud finder—a magnetic device which locates nails.
- II. Use a hammer to tap lightly across the mounting surface to find a solid sound. This will indicate a stud installation.

After locating the stud(s), the center can be found by:

Probing the wall with a small nail to find the edges of the stud and then placing a mark half way between the edges. The center of any adjacent studs should be 16" or 24" from this mark; **Fig. 2.**

FIG. 2



Product Preparation

Use a portion of the carton or some other material to protect the outer case from being damaged.

Stand oven on its control panel side, as shown in **Fig. 3**. To remove mounting plate from your microwave oven follow these steps.

A. Using a #1 Phillips screwdriver remove the three screws from front of grill and remove grill. **Fig. 3**.

B. Locate the two turn rod screws at the top front corners of the microwave oven, **Fig. 4**, and using a 1/4" Flat Blade screwdriver turn counterclockwise until top of wall mounting plate is released from the back of the unit. Next, release the three tabs from the bottom of the unit and remove mounting plate. **Fig. 5**.

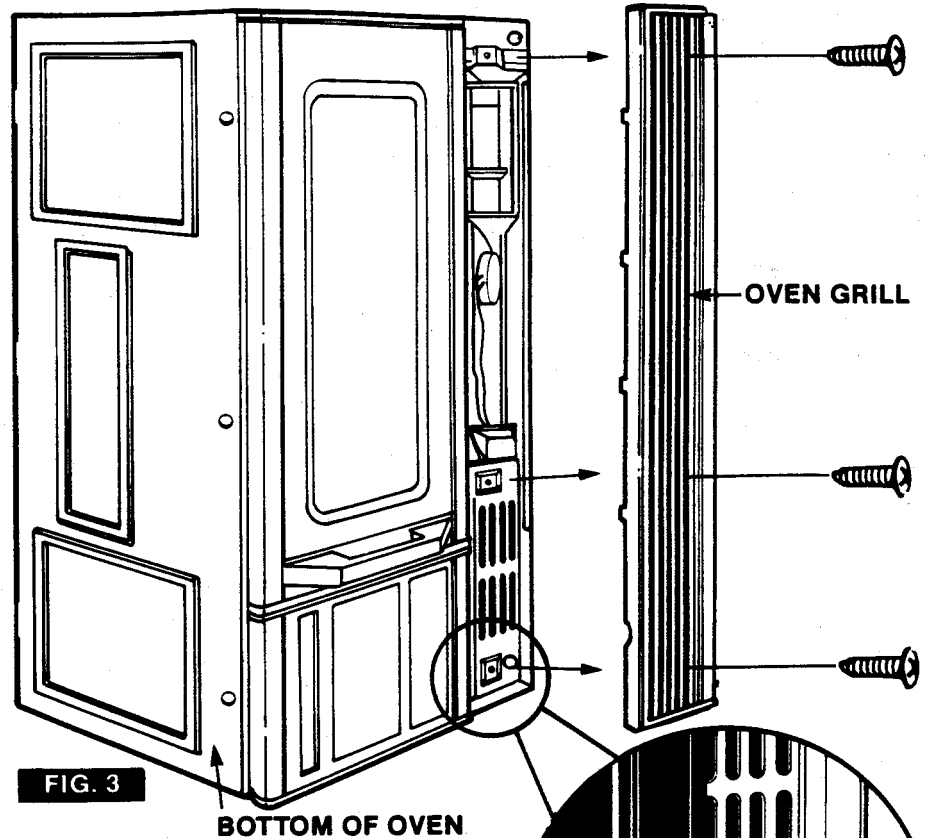


FIG. 3

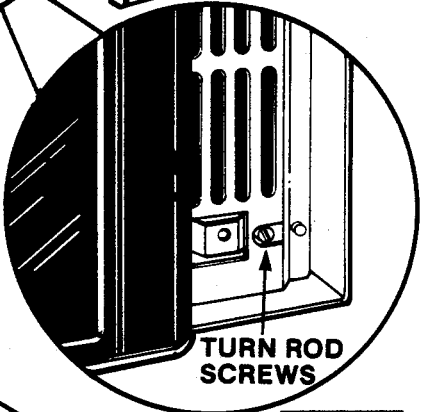
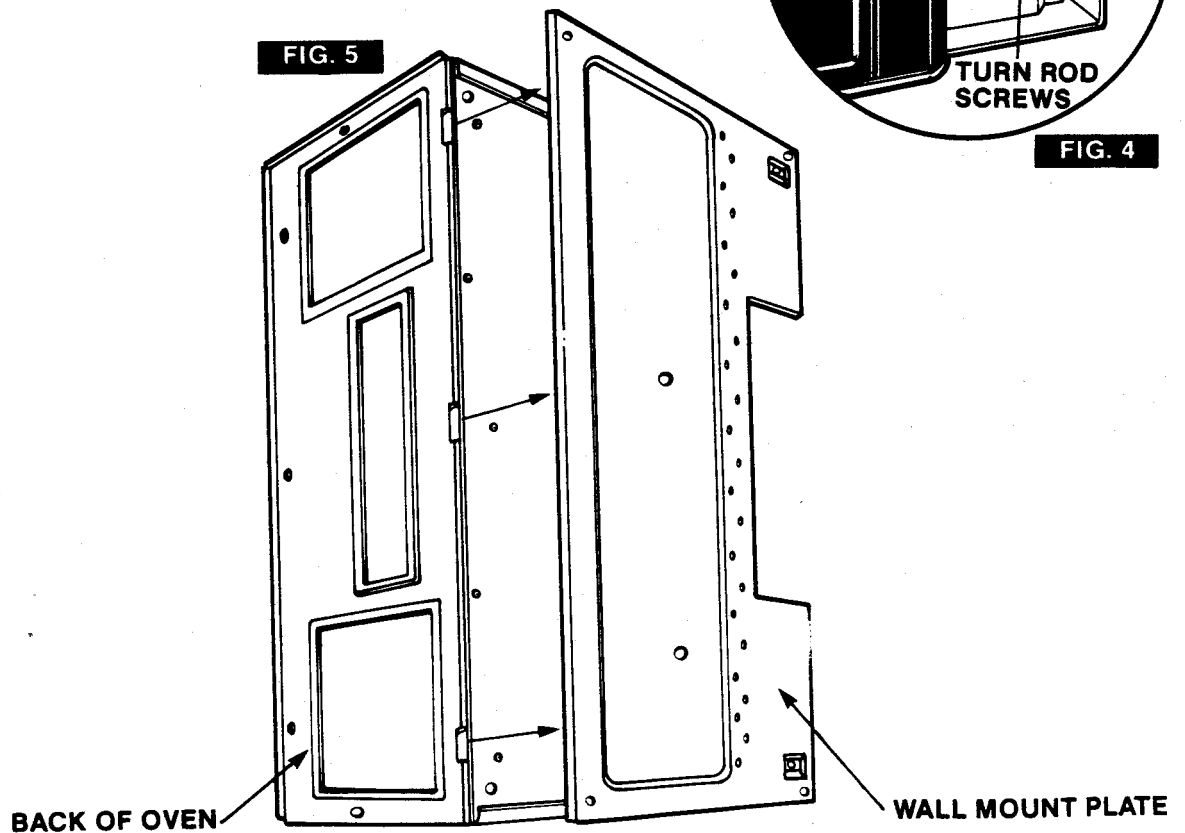


FIG. 4

FIG. 5



Hood Exhaust Duct

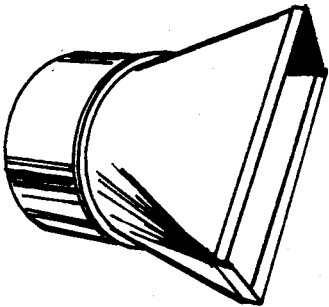
Outside ventilation requires HOOD EXHAUST DUCT. Read the following carefully.

EXHAUST CONNECTION: The hood exhaust has been designed to mate with a standard 3 1/4" x 10" rectangular duct. If round duct is required, a rectangular-to-round transition adapter must be used. Do not use less than a 6" diameter duct.

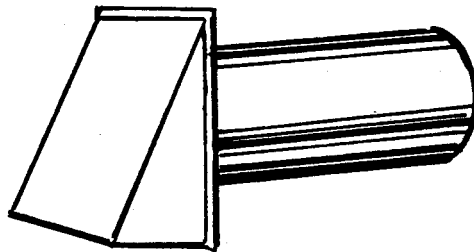
REAR EXHAUST: If rear or horizontal exhaust is to be used, care should be taken to align exhaust with space between studs, or wall should be prepared at the time it is constructed by leaving enough space between wall studs to accommodate exhaust.

MAXIMUM DUCT LENGTH: For satisfactory air movement, the total duct length of 3 1/4" x 10" rectangular or 6" diameter round duct should not exceed 140 feet.

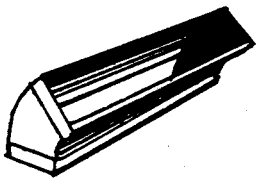
ELBOWS, TRANSITIONS, WALL AND ROOF CAPS, etc., present additional resistance to air flow and are equivalent to a section of straight duct which is longer than their actual physical size. When calculating the total duct length add the equivalent lengths of all transitions and adaptors plus the lengths of all straight duct sections. The diagram below shows the approximate feet of equivalent length of some typical ducts.



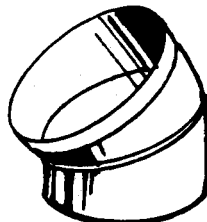
TRANSITION ADAPTER
5 FT.



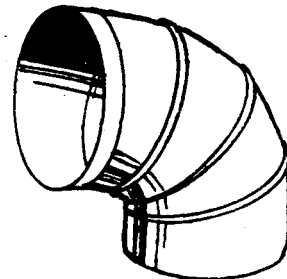
WALL CAP
40 FT.



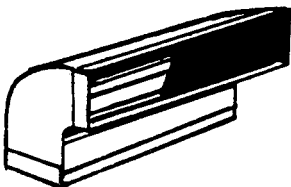
45° ELBOW
5 FT.



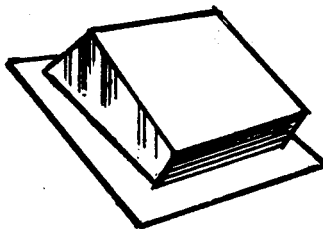
45° ELBOW
5 FT.



90° ELBOW
10 FT.



90° ELBOW
25 FT.



ROOF CAP
24 FT.

Your Over-the-Range microwave oven is designed for adaptation to the following three types of ventilation. Select the type of ventilation required for your installation and proceed to the appropriate section.

- A. Outside Exhaust (Vertical)
- B. Outside Exhaust (Horizontal)
- C. Recirculating (Non-vented, Ductless) (KMW83 Accessory kit is required)

Adapting Blower for Exhaust

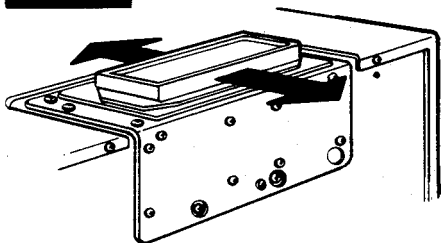
A. Outside Exhaust (Vertical)

Your microwave oven is shipped assembled for vertical exhaust.

In some cases adjustments may need to be made to assure proper alignment with your current exhaust duct.

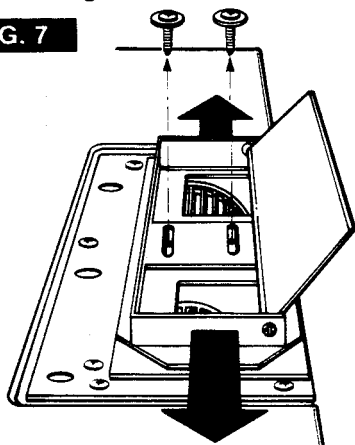
1. For front-to-back movement of exhaust duct, slide top portion of exhaust adaptor as needed. Fig. 6.

FIG. 6



2. For side-to-side movement, open the damper, loosen the two screws inside, and adjust the duct as needed. Retighten screws. Fig. 7.

FIG. 7



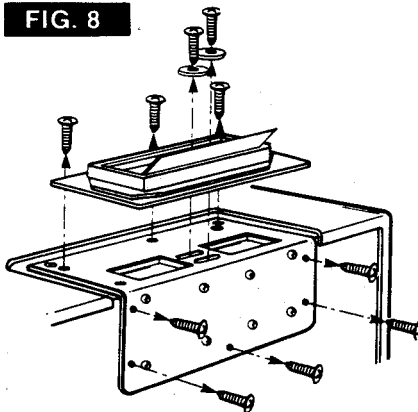
PROCEED TO TOP CABINET TEMPLATE

B. Outside Exhaust (Horizontal)

1. Remove 2 screws and 2 washers holding exhaust adaptor to blower plate and save for use with rear exhaust. Fig. 8.

2. Remove and save 8 screws which hold blower plate to oven. Fig. 8.

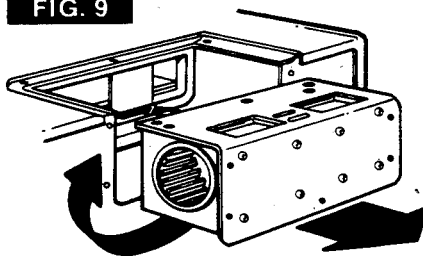
FIG. 8



3. Withdraw blower unit carefully and slip wires out of wire clips. Rotate blower unit end-over-end; slip wires back in clips and rotate 90° so that exhaust ports are facing rear of unit. Wires are in wire clips on the bottom of the unit. Fig. 9.

CAUTION: Do not pull or stretch blower wiring.

FIG. 9

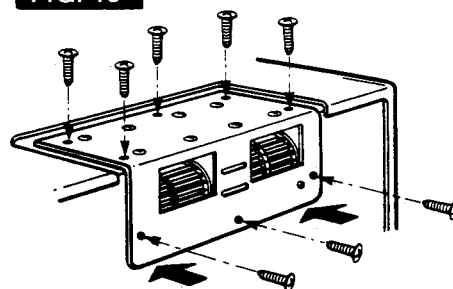


4. Place blower unit back into oven.

CAUTION: Wires must be reinserted into clips before reinstalling blower unit. Make sure wires are not pinched when blower unit is reinstalled.

5. Replace 8 screws to secure unit to microwave oven. Fig. 10.

FIG. 10

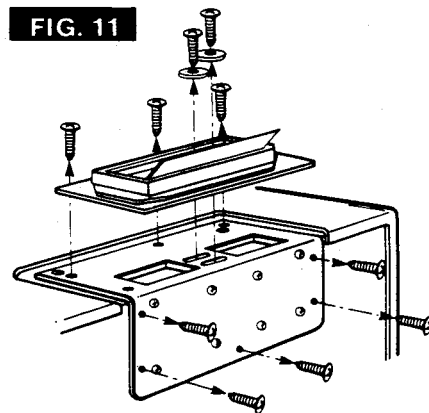


PROCEED TO TOP CABINET TEMPLATE

C. Recirculating (Non-Vented, Ductless)

1. Remove 8 screws holding plate to oven and remove exhaust adaptor by removing the 2 screws and 2 washers. Fig. 11.

FIG. 11

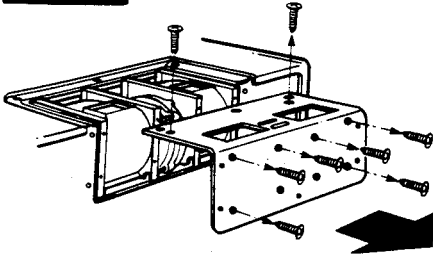


Ventilation System Cont.

2. Remove 8 screws around blower unit holding it to the plate. **Fig. 12.**

NOTE: Exhaust adapter with damper is not needed for recirculating. (You must use KMW83 Charcoal Filter Kit.)

FIG. 12

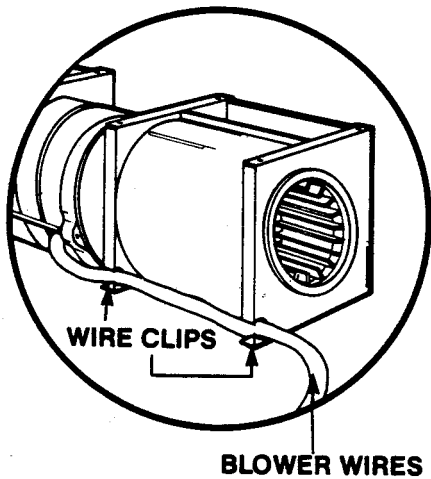
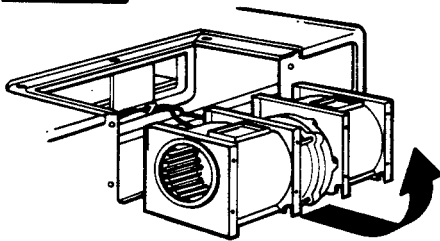


3. Withdraw blower unit carefully. Rotate blower unit 1/4 turn. **Fig. 13.**

NOTE: Wires should remain in clips.

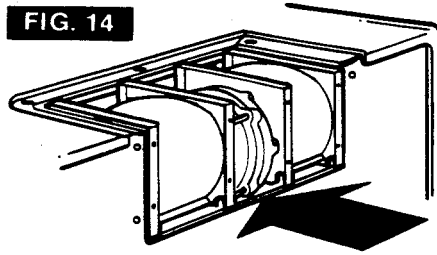
CAUTION: Do not pull or stretch blower wiring.

FIG. 13



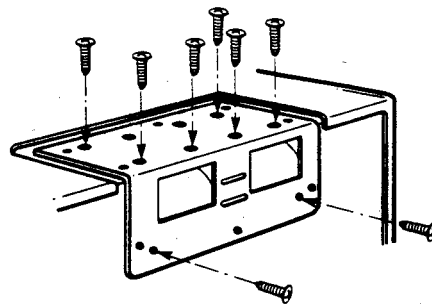
4. Place blower unit back into oven. Exhaust ports are facing oven interior. **Fig. 14.**

FIG. 14



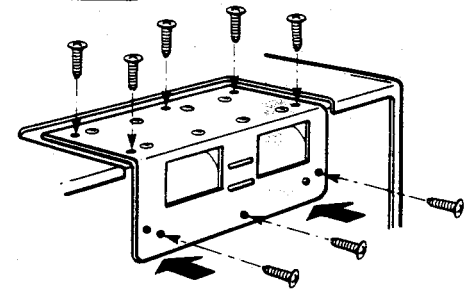
5. Replace plate and reinstall 8 screws holding plate to blower unit. **Fig. 15.**

FIG. 15



6. Reinstall 8 screws holding plate and blower unit to oven. **Fig. 16.**

FIG. 16



PROCEED TO TOP CABINET TEMPLATE.

Mounting Wall Plate

NOTE: THIS PRODUCT CANNOT BE PROPERLY INSTALLED WITHOUT FIRST FOLLOWING INSTRUCTIONS ON BOTH THE TOP CABINET AND WALL MOUNT TEMPLATES.

NOTE: REFER TO PAGE 3 FOR INSTALLATION HARDWARE.

To attach the mounting plate to the wall using the toggle bolt assemblies and/or lag screws:

1. Insert toggle bolts ② through mounting plate at required locations and add the spring loaded toggles ③. Fig. 17.

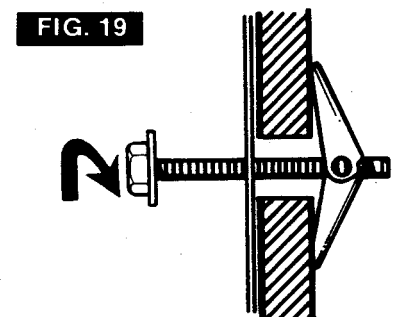
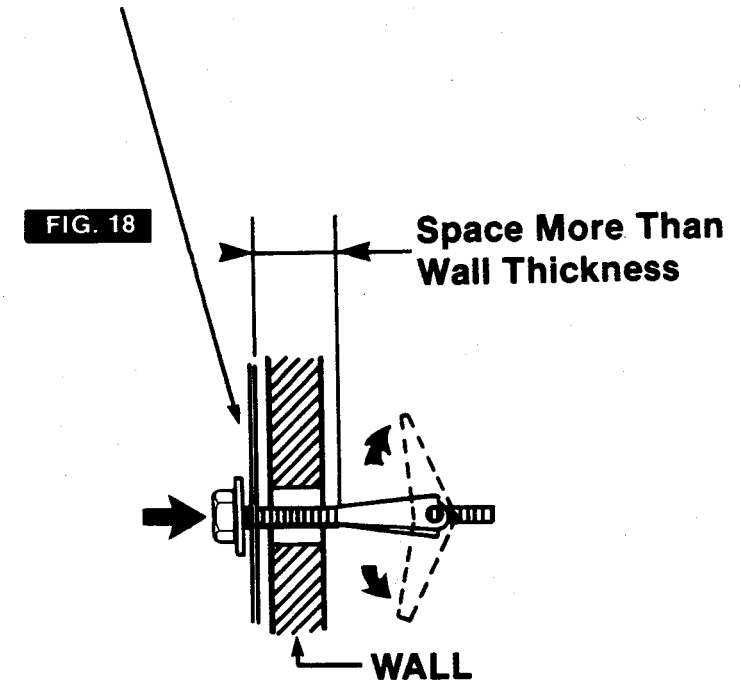
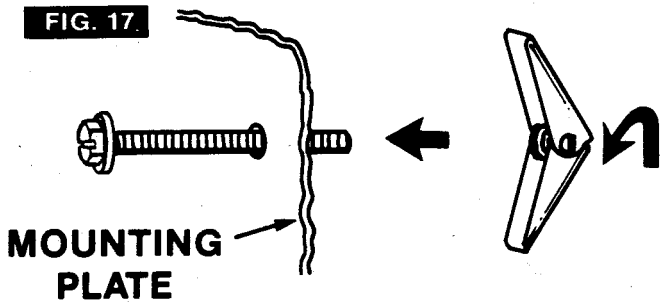
Be sure you leave space at least the thickness of the wall between the mounting plate and the end of the toggle nut, (in closed position). If you do not leave this space, the toggle nut will not open on the other side of the wall. Fig. 18.

2. Position mounting plate on wall and insert toggle bolt assemblies ② ③ through the drywall holes or start the lag screw(s) ① through the wall stud(s).

3. Next, secure mounting plate to the wall by tightening toggle bolt assemblies ② ③ or lag screw(s) ①. Fig. 19.

4. Drill 3/16" diameter lag screw hole(s), (Area S., center area of mounting plate), into one or more wall studs. (Remember, you must have at least one lag screw into a wall stud.) For stud location refer to page 5.

5. Tighten the lag screw(s) into wall studs(s) in area S of mounting plate.



IMPORTANT INSTRUCTIONS:
After mounting wall plate, insert a flat blade screwdriver into turn rod clearance holes. Move around to assure the turn rod retainer moves freely. If not, loosen toggle bolts and lag screws and readjust plate.

Mounting Microwave Oven

NOTE: IT IS VERY IMPORTANT THAT THIS OVEN BE INSTALLED BY TWO PEOPLE.

To attach your Over-the-Range microwave oven to the mounting plate complete the following steps.

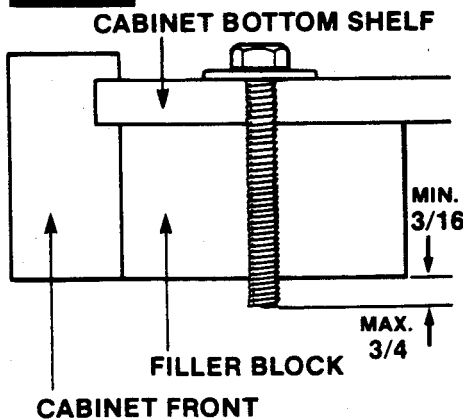
1. Select the set of mounting bolts necessary for your installation as explained below.

a) You have 4 sets of bolts of varying lengths in your installation hardware (9). Select one bolt of each size.

b) Insert each bolt, with a 3/4" washer (20) into one of the three holes drilled previously in the bottom of the cabinet. (D, E, & F on Top Cabinet Template.) Pick the bolt that extends below the bottom of the cabinet front by a minimum of 3/16" but no more than 3/4". This will be the bolt needed for your cabinets. Fig. 20.

NOTE: It is important to pick the correct bolt length needed for your cabinets. If the bolt is too short, it will not reach the oven. If the bolt is too long, it will not permit the oven to draw up to the cabinet snugly.

FIG. 20

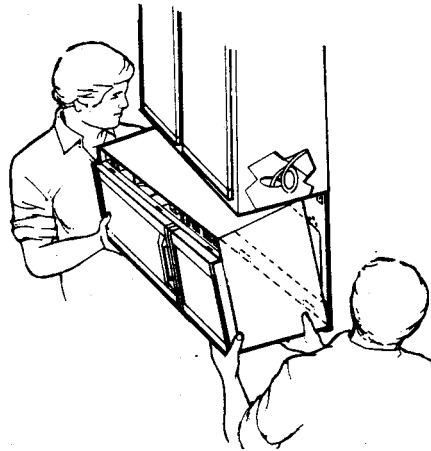


NOTE: Remove the 2 bottom grease filters from unit before hanging on the wall mounting plate.

2. Protect the top of your range by placing a portion of the carton or some other heavy material over the cooking surface before mounting your oven.

3. Hang the unit on the three tabs at the bottom of the mounting plate. Fig. 21.

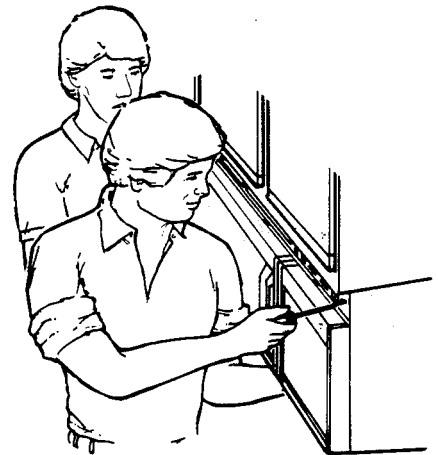
FIG. 21



4. Thread power cord through the hole at the bottom of the top cabinet. Swing the unit upward to meet the top of the mounting plate and hold secure. Fig. 21.

5. Using a 1/4" flat blade screwdriver on turn rod screws, located at the front corners of the unit, push in turn rod screws and turn clockwise until tight. This will secure the oven to the mounting plate. (Be sure turn rod screws are tight.) Fig. 22.

FIG. 22

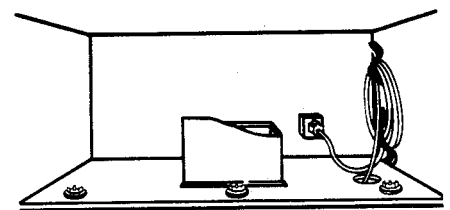


6. Insert the 3 selected bolts (9) through 3 flat washers (20) into holes on bottom of cabinet. Tighten screws to close the gap between top cabinet and the microwave oven. Fig. 23.

NOTE: MICROWAVE OVEN MUST BE SECURED WITH THREE MOUNTING BOLTS.

7. Make a bundle of power cord supply then fix it to the cabinet using the cord hangers (5). Fig. 23.

FIG. 23



8. Replace grill on oven by reinstalling the three screws across the front.

9. Reinstall grease filters.

1. Make sure oven has been installed according to instructions.
2. Remove all packing material from the oven.
3. Plug in power cord.
4. Read Use and Care manual.
5. Keep installation instructions and template for the local electrical inspector's use.

Accessories

KMW81 Filler Panel Kit

This kit is available for use when installing the Over-the-Range microwave oven in a 36" or 42" wide space. The filler panel kit fills in the additional width to provide a custom, built-in appearance. Each kit contains two 3" wide filler panels. Two kits are needed for a 42" opening.

KMW83 Charcoal Filter Kit

When you can't vent the Over-the-Range microwave oven to the outside, use the optional KMW83 Charcoal Recirculating Filter Kit to absorb fumes and steam before venting back into the kitchen.