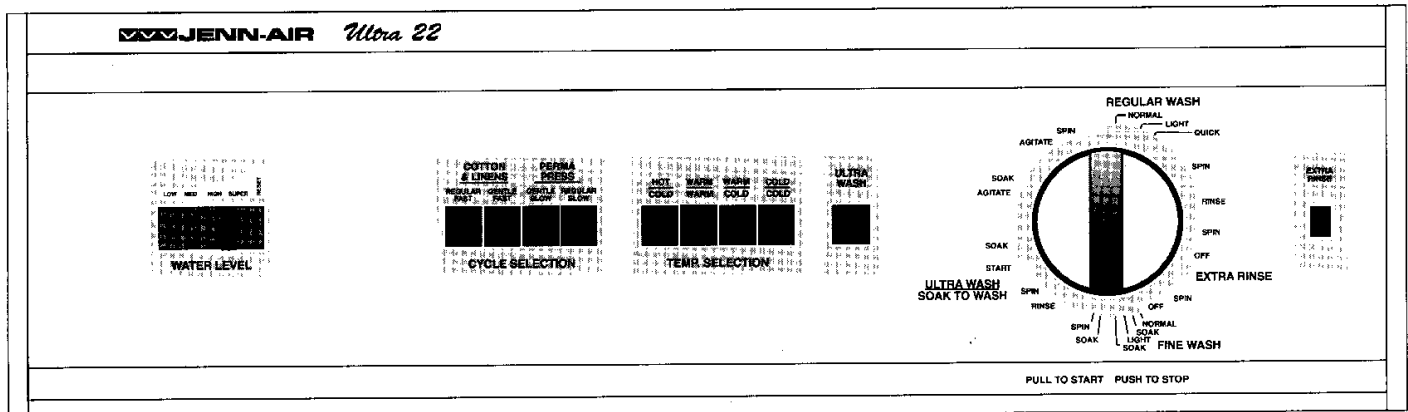


JENN-AIR®

Use and Care Manual Washer Model JW2000



About Your Jenn-Air Washer

Congratulations on your choice of a Jenn-Air washer! As you use your new washer, we know you will appreciate the many features that provide excellent cleaning results, energy efficiency, convenience and dependability.

Before you begin washing with your new washer, please take a few minutes to read and become familiar with the instructions in this book. On the following pages, you will find a wealth of information regarding all aspects of your beautiful new washer. By following these instructions carefully, you will be able to achieve excellent results.

Should you have any questions about using your Jenn-Air washer, write to us. Be sure to provide the model number.

Jenn-Air Customer Assistance
c/o Maytag Customer Service
P.O. Box 2370
Cleveland, TN 37320-2370

Index

Care of Special Items	12-13
Care of Your Washer	9
Energy Saving Tips	9
Features	8
Laundry Aids	10-11
Bleach	11
Detergents	10
Fabric Softeners	10
Presoak	10
Prewash	10
Water Hardness	11
Water Temperature	11
Operating the Washer Controls	6-7
Cycle Description	7
To Set	6
Washing Guide	7
Preparing to Wash	4
Load Size	4
Precare	4
Sorting	4
Problem Solving Guide	17-20
Safety Precautions	2-3
Service Information	21
Stain Removal	14-16
Using Your New Washer	5
Warranty	23-24

SAFETY PRECAUTIONS

WARNING — To reduce the risk of fire, explosion, electric shock, or personal injury when using your washer, follow basic safety precautions, including the following:

1. Read all instructions carefully before using the washer. Retain all instructions for future reference.
2. Installation - Install and locate this washer according to the Installation Instructions.
 - a. This appliance must be properly grounded. Never plug the appliance electric cord into a receptacle which has not been grounded adequately and in accordance with local and national codes.
 - b. This appliance must be connected to a properly rated, protected, and sized power supply circuit.
 - c. Do not install or store this appliance where it will be exposed to temperatures below freezing or exposed to the weather.
 - d. This appliance must be connected to adequate plumbing and drain facilities.
 - e. This appliance should be installed by a qualified service technician.
3. If someone should get an electric shock from the washer, disconnect the electrical power. **DO NOT OPERATE** until it has been repaired by an authorized Jenn-Air Service Contractor.
4. To prevent injury to children:
 - a. Do not allow children to play on, in, or with the appliance. Close supervision of children is necessary when using the washer.
 - b. Keep all laundry aids out of the reach of children preferably in a locked cabinet. Use laundry aids only as directed by the manufacturer and observe all warnings on the container labels.
 - c. Destroy the carton and plastic bags after unpacking the washer. Cartons covered with rugs, bedspreads, or plastic sheets can create a chamber with inadequate ventilation.
5. **WARNING**—To avoid the possibility of fire or explosion:
 - a. Do not wash articles that have been previously cleaned in, washed in, soaked in, or spotted with gasoline, dry-cleaning solvents, other flammable or explosive substances as they give off vapors that could ignite or explode. Any material on which you have used a cleaning solvent, or which is saturated with flammable liquids or solids, should not be placed in the appliance until all traces of these flammable liquids or solids and their fumes have been removed. There are many highly flammable items used in homes, such as: acetone, denatured alcohol, gasoline, kerosene, oil, chemical solvents, some liquid household cleaners, some spot removers, turpentine, waxes and wax removers.
 - b. Do not add gasoline, dry-cleaning solvents, or other flammable or explosive substances to the wash water.
 - c. **HYDROGEN GAS IS EXPLOSIVE.** Under certain conditions, hydrogen gas may be produced in a hot water system that has not been used for 2 weeks or more. If the hot water system has not been used for such a period, before using a washing machine, turn on all hot water faucets and let the water flow from each for several minutes. This will release any accumulated hydrogen gas. As the gas is flammable, do not smoke or use an open flame during this time.
 - d. Keep area around and underneath the washer free from the accumulation of combustible materials, such as lint, paper, rags, gasoline, and all other flammable vapors and liquids.

e. **WARNING:** Recent studies have shown that if vegetable oil contaminated materials are incompletely washed a carry-over and buildup of the oil may contribute to a chemical reaction (spontaneous combustion) that could cause a load to catch fire by itself. This would be more likely to happen if the load were left in the dryer after tumbling stopped or if items were folded and stacked while warm.

6. Do not reach into the appliance if the tub or agitator is moving. The washer is equipped with a safety switch for your protection. If action does not stop when the washer lid is opened during the Spin Cycle, disconnect the electrical power to the washer. Do not operate the washer until it has been repaired by an authorized Jenn-Air Service Contractor.
7. Do not tamper with the controls.
8. Do not repair or replace any part of the appliance or attempt any servicing to prevent personal injury and damage to the washer.
9. Observe these precautions when using cleaning fluids, spot or stain removers, etc.:
 - a. Use only according to the manufacturer's directions as stated on the label or carton.
 - b. Use outdoors or in a well ventilated area.
 - c. Use only products labeled "NON-FLAMMABLE".
 - d. After using these removers, thoroughly rinse the clothes by hand before they are placed in the washer. Some of these removers - for example: rust remover - will damage the components and the finish of the washer.
10. Do not wash fiberglass articles unless label states they are machine washable. Most fiberglass articles shed small particles of glass that will not readily rinse out of the washer. These particles may get on clothing in later loads and cause skin irritation and discomfort. Be sure to rinse the washer thoroughly before using it again.

11. Improper laundering of flame retardant finishes could remove them. Therefore, follow garment manufacturer's instructions carefully.
12. When moving, have the washer checked and properly installed by a qualified Jenn-Air Service Contractor.

SAVE THESE INSTRUCTIONS

Appliances with the UL symbol on the data plate have been listed with Underwriters' Laboratories, Inc. Those with a CSA Monogram on the data plate have been certified by the CSA Testing Laboratories as complying with Canadian Standards Association requirements. Nevertheless, as with any equipment using electricity and having moving parts, there are potential hazards. To use this appliance safely, the operator should become familiar with the instructions for operation of the Appliance and always exercise care while using it.

Preparing To Wash

Sorting

For best results, clothes should be sorted into loads that can be washed and dried together. Sort clothes into loads that can be washed with the same water temperature, wash time, agitation, spin speed, and laundry aids.

Thus, sort clothes according to:

- **Color** - Separate whites from colors, light colors from bright or dark colors. Wash non-colorfast items separately.
- **Fabrics** - Separate into cottons, delicate fabrics, and permanent press items. Cottons require hotter water. Delicates require shorter wash times and cooler water to prevent shrinkage. Permanent press and synthetics require special washing to reduce wrinkling.
- **Lint Transfer** - Separate lint-givers (terry cloth, chenille and rugs) from lint takers (corduroy, synthetic knits, and permanent press) to reduce lint transfer during washing.
- **Amount of Soil** - Separate heavily soiled items from moderately and lightly soiled items. Mixing soil types could cause heavy soils to deposit on the lightly soiled items.

Precare

When you sort clothes into washloads, inspect each item for:

- **Rips and Tears** - Mend all rips and tears so they don't grow.
- **Objects Left in Pockets** - Remove crayons, lipsticks, cigarettes, ballpoint pens, matches, tissues, and other objects that may damage clothes and/or the washer.
- **Non-washable Items** - Remove buttons, pins, buckles, or other sharp items that may not wash well and that may scratch the inside of the washer or snag other items in the load.
- **Dirt, Lint, and Sand** - Turn down cuffs and brush off dirt and lint. Vacuum rugs to remove loose surface soil. Shake sandy clothes and towels.
- **Belts, Zippers, Hooks** - Tie belts and apron sashes into bows so that they won't tangle during washing. Close zippers and hooks so that they won't snag other items in the load. For added safety, place in mesh laundry bag.
- **Spots and Stains** - Remove before you wash the item. (See Stain Removal Chart on pp. 14-16.)

Load Size

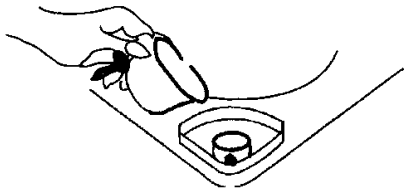
- **Size of Load** - The space that fabrics occupy is more important than their weight. For clean wrinkle-free washing results, fill the washer so that all items have plenty of room to move freely. Do not overcrowd the washer. This is particularly important for heavily soiled items.
- **Size of Items** - Combine both large and small articles for good washing action. Do not group all large items in one load. Several sheets combined with smaller items in one load will provide better washing action than a load of sheets only.
- **How to Load** - Loosely load the washer to the top of the small vanes on the agitator with dry unfolded items. Do not:
 - a. over pack clothes;
 - b. load wet items (This encourages overloading.)
 - c. wrap large items around the agitator. (Load large items first and in gentle folds.)

Using Your New Washer

Items to Add

1. Add Bleach, if needed, to the Bleach Dispenser

Undiluted liquid chlorine bleach may be added to the bleach dispenser as shown.



Carefully measure the amount of bleach recommended on label of the bleach bottle for the amount of water being used. Properly diluted bleach will be added automatically to the wash water.

CAUTION: Be careful whenever you use liquid chlorine bleach. Do not pour directly on fabrics. Wipe up spills with a paper towel.

Note: Oxygen bleach may be added by following the instructions on the package. Do not put powdered bleach or detergent in the bleach dispenser.

Note: All bleaches, whether liquid or granular, are powerful chemicals and can cause fabric damage such as tears or color loss if not used properly.

For more information on Bleach, see p. 11.

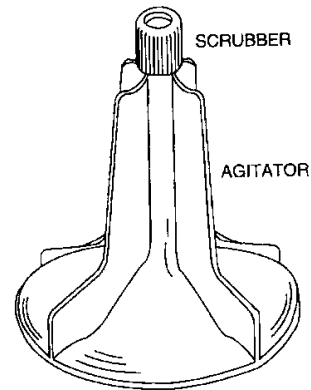
2. Add Detergent

Add measured amount to the washer basket before loading the clothes. For more information on types of detergent and soap, see p. 10.

The amount of detergent or soap to use depends on how big the load is, how dirty it is, and how hard the water is. Inadequate amounts may cause poor cleaning and other problems.

3. Place Clothes In Washer

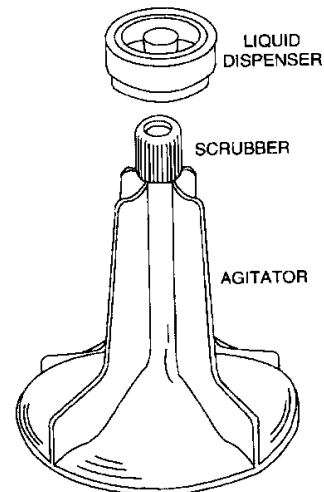
Put dry, unfolded clothes loosely in the tub, up to the top of the agitator vanes for a maximum load. Do not over pack or wrap items around the agitator.



Note: Place small or delicate items in a mesh bag.

4. Add Fabric Softener

Add recommended amount to inner chamber of dispenser cup on top of agitator. Do NOT add above the fill line. If below the fill line, add water to bring liquid level up to the fill line. Fabric softener will automatically be added to the final rinse.



Note: The Liquid Dispenser may be used also for adding liquid detergent with the **ULTRA WASH** cycle. Dispenser should be cleaned after use of liquid detergent. See p. 8.

Operating The Washer Controls

To set:

1. Set TEMP. SELECTION (Wash & Rinse Temperature)

Four different water combinations are provided.

Wash	Rinse
Hot Wash	Cold Rinse
Warm Wash	Warm Rinse
Warm Wash	Cold Rinse
Cold Wash	Cold Rinse

These temperature selections are to be used with **REGULAR WASH, FINE WASH, or SOAK TO WASH.**

For more information on water temperature, see page 11.

Choose **ULTRA WASH** (2 Warm Washes and a Cold Rinse) only when choosing **ULTRA WASH** on the **TIMER DIAL.**

2. Set CYCLE SELECTION (Speed Combination - Wash & Spin)

Your washer has four wash and spin speed combinations. See washing guide for options on p. 7.

3. Set WATER LEVEL

Determine the selected setting based on clothes load size (see table). Be sure to select enough water to permit clothes to circulate during agitation.

Water Level Control Setting	Dry Weight of Clothes	
	(pounds)	(kilograms)
Super	12+	5.4+
High	6-12	2.7 - 5.4
Medium	2-6	.9 - 2.7
Low	2 or under	.9

It may become necessary, due to bulky fabrics, to adjust the water level after agitation begins. To adjust for a higher water level, slide control to the **RESET** position and then back to the desired setting.

Note: When laundering permanent press garments or garments of delicate construction, washable woolens or loosely knit articles, never use less than the **HIGH WATER LEVEL** setting. This will minimize shrinkage, wrinkling and pulling of seams.

4. Select Cycle Time

To set Cycle Time, push the **TIMER DIAL** in (off position) and turn it to the right (clockwise) until the red indicator is at the recommended starting point in the wash segment in either the **REGULAR WASH, FINE WASH, or ULTRA WASH (SOAK TO WASH)** cycle. See Cycle Descriptions on p. 7.

5. Pull TIMER DIAL Out To Start Washer

You may stop the washer at any time by simply pushing the **TIMER DIAL** in. Therefore it is possible to obtain a non-agitated soak for as long as you wish, or to shorten, skip or repeat any part of a cycle. The **TIMER DIAL** must be pushed in (off position) when you change the setting.

Note: Do not attempt to turn the **TIMER DIAL** counterclockwise since damage to the timer will result.

6. Stops automatically when wash cycle is completed.

7. Turn off faucets when not using washer. This is to protect the water fill hose against excessive pressure.

Cycle Descriptions

REGULAR WASH

REGULAR WASH consists of 15 minutes of agitation. You may set the **TIMER DIAL** at any point between **NORMAL**, **LIGHT** and **QUICK** for complete flexibility.

FINE WASH

FINE WASH consists of alternating short periods of agitation and soaking. This method insures gentle handling. **FINE WASH** is used with delicate fabrics or blankets & spreads that require special treatment.

Note: The extended pauses are part of the cycle. The timer is not malfunctioning. Do not turn the timer through these pauses.

SOAK TO WASH

SOAK TO WASH eliminates the inconvenience of wash tub soaking of stained clothes before the wash cycle. **SOAK TO WASH** provides a 30 minute soak which automatically proceeds into a 15 minute wash without pump out of wash water. Brief periods of agitation are used to thoroughly dissolve detergent. Liquid dispenser is used only if fabric softener is desired in the rinse cycle.

SOAK TO WASH must be selected on the **TIMER DIAL**. The **TEMP. SELECTOR** should be on **HOT/COLD**, **WARM/WARM**, **WARM/COLD**, or **COLD/COLD**.

ULTRA WASH

Eliminates the need for pre-spot products while providing comparable stain removal performance. Add liquid or granular detergent to the washer basket, then place liquid detergent in the liquid dispenser. Clothes soak for 30 minutes with several brief periods of agitation. Water is spun out and clean wash water is added along with detergent for a 15 minute wash.

ULTRA WASH must be selected on the **TIMER DIAL** and the **ULTRA WASH** button must be pushed. Otherwise, the detergent will be spun out in the rinse water.

ULTRA WASH provides a warm water soak, warm wash and a cold rinse. It also provides fast agitation and spin speeds. This cycle is recommended for most fabrics (check manufacturers labels). Use for grass, ketchup, soil and juice stains.

Washing Guide

Wash Load	CYCLE SELECTION	CYCLE SELECTION		TEMPERATURE SELECTION		TIMER DIAL
		AGITATION Speed*	SPIN Speed	Wash	Rinse	
Cotton and Linen, White, Colorfast	COTTON & LINENS	REGULAR	FAST	HOT	COLD	REGULAR WASH
Cotton and Linen, Non-Colorfast	COTTON & LINENS	REGULAR	FAST	WARM	COLD	REGULAR WASH
Cold Water Wash	COTTON & LINENS	REGULAR	FAST	COLD	COLD	REGULAR WASH
Permanent Press Whites and Colorfast	PERMA PRESS	REGULAR	SLOW	HOT	COLD	REGULAR WASH
Permanent Press Non-Colorfast	PERMA PRESS	GENTLE	SLOW	WARM	COLD	FINE WASH
Double Knits and Delicates	PERMA PRESS	GENTLE	SLOW	WARM	COLD	FINE WASH

*NOTE: Use **REGULAR** Agitation Speed for heavily soiled durable fabrics. Use **GENTLE** Agitation Speed for lightly soiled or less durable fabrics.

Features

Lint Filtering System (Automatic)

The Lint Filtering system does not require cleaning.

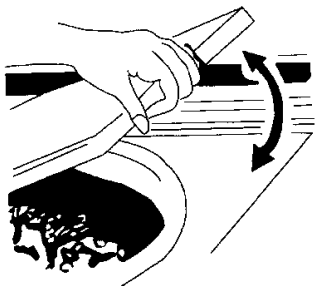
Wash and rinse water is filtered and re-filtered continuously to trap lint shed by most fabrics during agitation cycle before it can be re-deposited on the wash load. The engineered hole design on the wash basket in conjunction with water flow produced by the agitator traps lint away from the clothes between the inner wash basket and outer tub. Lint is automatically flushed from the washer during spin cycle.

Out of Balance Loads

Your washer is designed to handle out of balance loads without shutting down or interrupting the washing cycle. The cycle will always be completed, but clothes in this cycle may contain excessive moisture. Redistribute the clothes in the washer and reset the Cycle Control for the final spin period.

Safety Spin

If for any reason you open the washer lid when the washer is in a **SPIN** period, the operation will immediately stop. **IF YOUR WASHER DOES NOT STOP, CALL YOUR JENN-AIR SERVICE CONTRACTOR IMMEDIATELY.**



When the lid is closed, the operation will automatically be resumed.

Overload Protector

A built-in protector automatically shuts off the washer motor in case of an overload. This can occur if:

- Too heavy a load is being washed.
- Too many appliances are plugged into the line operating your washer.
- A low voltage condition exists on the line.
- Lid is opened and closed repeatedly.

The overload protector permits the washer to start again when the motor has cooled to a safe operating temperature.

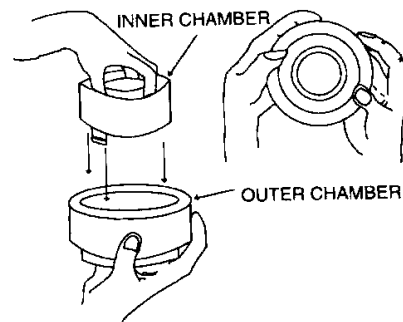
If the motor stops repeatedly, call your Jenn-Air Service Contractor.

Liquid Dispenser

The dispenser may be used for fabric softener with **REGULAR WASH** cycles or liquid detergent with **ULTRA WASH** cycle. The dispenser should be cleaned after use of liquid detergent.

To clean the dispenser, hold the dispenser with bottom side up and push inward on the tabs. You are then able to clean both parts using warm water and a brush if necessary.

LIQUID DISPENSER



To reassemble, hold both pieces in an upright position. Insert the inner chamber into the outer chamber using ribs to position parts. Rotate until a stop is felt. Push parts together firmly to engage locking tabs.

Energy Saving Tips

1. Use warm or cold water to wash lightly soiled items; use hot water for loads that contain white items and loads that contain heavily soiled items.
2. Select a wash time and cycle according to the degree of soil. Shorter wash times can be used for lightly soiled items.
3. Save clothes of similar color and similar degree of soil until you have a full load. An automatic washer goes through the same cycle for a full load or single pair of jeans. The more you plan your wash for full loads, the more electricity and water you save.
4. Use a cold water rinse. In most instances a cold water rinse is just as effective as a warm one.
5. If proper sorting produces small loads, adjust the water level to the size of the load. (Use enough water so clothes move freely.)
6. Do not over load the washer. Overloading reduces the cleaning action of a washer and results in more abrasion, lint and wrinkles. In fact, too large a load can waste energy and can require you to wash the load again.
7. Use the **FAST** Spin for highly absorbent items such as towels, blankets, etc. This method removes more water and helps reduce drying time.
8. Use your washer during non peak times as recommended by your local utility company. This does not save you energy but helps to free electrical power during peak periods.

Care of Your Washer

1. After washing leave the lid open until the interior is dry.
2. Check hoses to be sure there are no kinks or knots.
3. Your washer should not be installed or stored where temperature will go below freezing, as damage to the washer could result.
4. Occasionally wipe exterior with a clean damp sponge or cloth. Polish with a soft dry cloth. Do not use abrasive cleansers.
5. Lifetime lubrication is done at the factory, so your washer never needs to be oiled or greased.
6. Do not lay heavy or sharp objects on top of your washer.
7. The top of the washer should not be used for removing stains from garments. Some stain removers, such as rust remover, will mar the finish.
8. Remove pins, buckles or other sharp objects from clothes to prevent scratching the interior parts.
9. Clothes should not be stored in washer.
10. Bleach, detergent, solvents, etc. spilled on the top of your washer that are allowed to remain will remove the glossy finish. Remove all spills with a damp, soft cloth. Care should also be exercised when using a prespotting agent since it may damage printing or control panel finishes.
11. If you close your home for the winter, have a serviceman drain the washer. Unplug cord from the electric outlet and disconnect hoses from faucets.

Laundry Aids

Detergents

Detergents come in many types and forms. Regardless of the type it is important to read the manufacturer's instructions and use the correct amount. The proper amount to use depends on several factors:

- a. size of load;
- b. degree of soil;
- c. hardness of the water; and
- d. amount of water.

Most manufacturer's instructions are for washing an average load with average soil in 16 gallons of water with average hardness (5 grains per gallon). Therefore, more detergent will be needed if any of the following exists:

- a. load size is extra large,
- b. clothes are heavily soiled,
- c. water hardness is above average, or
- d. amount of water selected was more than **HIGH**.

Using too little detergent results in a poor wash, while using too much causes oversudsing.

Non-phosphate

As phosphate content is controlled by law in some areas, most detergents are non-phosphate. Some granular non-phosphate detergents may be difficult to dissolve in cold water. They may also react with the hardness minerals in the water to deposit a white "lint like" residue on clothes as well as washer parts.

For best results with non-phosphate detergents follow these suggestions:

1. Wash garments in the hottest water safe for the fabric.
2. Pretreat stains and heavily soiled items before placing them in the washer.
3. Follow the detergent package instructions for the amount to use.
4. Add the detergent to the washer first, then add the load of clothes to be washed. Close the lid and fill the washer with water.
5. In some instances, soft or softened water may help.

Liquid or Powder Detergent

Powdered detergents generally provide good results for most laundry loads. Liquid detergents are particularly useful for cold water washing, for washing lightly soiled loads and for pretreating spots or greasy soils.

High suds or low suds?

Mounds of suds are not necessary for clean clothes. Too many suds can hamper wash action. The presence of suds does not indicate the correct amount of detergent being used. In very soft water a low sudsing detergent may be necessary in order to use enough detergent to clean clothes.

Soaps

Soap should not be used unless your water is very soft (0 - 3 grains of hardness per gallon). In hard water (above 3 gpg) soap combines with water hardness minerals to form a scum of film. This deposit is very hard to rinse out and can build up on clothes causing them to become gray, dingy and greasy feeling.

Fabric Softeners

Fabric softeners are designed to reduce static electricity, make fabrics softer and fluffier, and minimize wrinkling. The three types are: rinse-added, dryer-added, and detergents with fabric softeners.

Rinse - Added Fabric Softener

These softeners should only be used in the final rinse cycle. They should not be used with soap, detergent, bleach, water conditioners or other laundry products in the rinse water. If used together, they will react and cause a white sticky residue to appear on clothes. This is sometimes mistaken for lint.

The fabric softener must be diluted according to the manufacturer's recommendations. Add fabric softener to the dispenser after clothes have been added to the washer.

Dryer - Added

This type of fabric softener is added to the dryer along with the load of clothes. It may be in the form of a softener impregnated tear-off sheet or a slow dispensing packet.

Note: Avoid overuse of fabric softeners. Too much fabric softener can make clothes, such as diapers and towels, non-absorbent. If this occurs, decrease the amount of fabric softener used or occasionally omit using it. If fabric softener comes in contact with fabrics, it may cause a stain. To remove, wet fabric and rub the stained area with a bar of soap and wash items again.

Detergent with Fabric Softener

Some detergents contain fabric softener in their formulation. Read and follow manufacturer's instructions for use.

Presoak

Presoak products help to break down certain types of soils and stains into simple forms which can be removed more easily by the other detergent ingredients and the washing action. Washing products containing enzymes are effective on protein-type stains such as blood, baby formula, milk, meat juice, diaper soil, grass, etc. Enzyme presoak products are most effective when they have time in which to work. Clothes should soak for at least 30 minutes and it is helpful sometimes to soak clothes for several hours.

Prewash

Prewash spray products are helpful in removing collar soil, and other stains. Follow package directions. Use caution when using prewash sprays because they can remove markings from dials and buttons on appliances, paint from walls and cabinets, or soften fingernail polish.

Disinfectants

Occasionally, you may want to sanitize your washer and laundry. Sanitizing is desirable during periods of family illness to help prevent the spread of infections from one family member to another.

To Sanitize Your Washer

Fill washer with hot water, pour 1-1/4 c. of liquid chlorine bleach into the bleach dispenser or directly into the washer. Turn **TIMER DIAL** to 12 minutes; close lid or door, and start washer. Let washer complete the cycle.

Sanitize Your Laundry

Select a disinfectant that suits the load of laundry (fiber and color), and carefully read the directions on the package. Follow the manufacturer's directions for amount to use, and note any precautions. Carefully measure the recommended amount of disinfectant, and add it directly to the tub at the proper time in the cycle. Do not put any disinfectant other than liquid chlorine bleach into the dispenser as it could damage the dispenser.

Bleach

Bleach helps to whiten clothes, remove certain stains and soil, disinfect and deodorize. Bleach should be used in the wash cycle. The two basic types of bleach are: Chlorine-Liquid and Oxygen-Type-Dry.

Chlorine-Liquid

Chlorine bleach can be used when washing most fabrics. Do not use chlorine-bleach with acetate, rayon, silk, wool, Spandex, or noncolorfast fabrics. When in doubt, check garment manufacturer's care label.

Always follow the bleach manufacturer's directions for the amount to use. Usually it is best to add bleach to the dispenser before loading the washer in order to prevent any undiluted bleach from accidentally spilling onto items in the wash load.

Fabric damage related to misuse of chlorine bleach may not appear until several launderings later. If undiluted bleach comes into direct contact with fabrics, it will show up as rips, tears, holes, overall yellowing or color loss.

WARNING—Do NOT use bleach with ammonia.

Oxygen-Type-Dry

Oxygen type bleaches are mild, contain no chlorine, and are considered safe for most washable colorfast fabrics. They may be added directly to the wash water along with the detergent. Follow directions on the package for the correct amount to use. Oxygen bleaches are more effective in hot water. They are not designed for heavy stain removal.

Water Hardness

Many complaints about unsatisfactory washing results can be traced directly to hard water. Water hardness is measured in grains per gallon.

Hardness	Grains Per Gal.
Soft	0 - 3 grains
Medium	4 - 6 grains
Hard	7 -10 grains
Very Hard	over 11 grains

The local water company or County Extension office can supply information about water hardness in your area.

Ideally, soft water should be used both for washing and rinsing. If your water is hard, it can be softened in several ways:

1. Increasing the amount of detergent is an effective way to tie up the water hardness minerals.
2. Add a non-precipitating water conditioner to the wash and rinse water.
3. Consider installing in your home a mechanical water softener which will soften the water as it flows through the faucet.

Water Temperature

The correct water temperature insures good washing results. Select the water temperature according to the fabrics being washed and the degree of soil present.

HOT

HOT water is effective for washing most white items or for washing heavily soiled colorfast items. It is also helpful in removing body soil, perspiration and greasy soils. If your water heater is located a great distance from the washer, it may be necessary for you to set the thermostat on the water heater to its hottest setting because water cools as it travels from the water heater to the washer.

WARM

WARM water is recommended for washing normal to lightly soiled regular, permanent press, knit and some delicate items. It reduces the amount of fading and the amount of wrinkles.

COLD

COLD water minimizes shrinkage and gives best color retention. Using cold water can provide less effective cleaning, so be sure to use a detergent especially formulated for cold water. Since the temperature of cold water varies with the seasons, some items may not look as clean as in warmer water. Follow these steps for best results when using cold water:

- Increase amount of detergent to about 1-1/2 times amount normally used.
- Dissolve detergent in warm water before adding to the washer.
- Pretreat spots and stains.
- Increase the length of washing time to maximum provided.

Care of Special Items

Item	Description of Care
<p>BEDSPREADS (Chenille, Fiberglass, Beta R, Quilted)</p>	<p>Choose HOT or WARM water temperature according to colorfastness and amount of soil. Set water level at SUPER. Wash separately for 10 minutes at REGULAR speed. Use COLD rinse. Most fiberglass materials should not be laundered in your washer. Check label to be sure spread is machine washable. If it is, wash separately at SUPER water level. Check label for correct water temperature. If none available, use WARM WASH/COLD RINSE. Agitate for 4 minutes at GENTLE speed.</p>
<p>BLANKETS Man-made fabrics: Acrylic, nylon, etc.</p> <p>Woolen (Washable)</p>	<p>Some napped blankets made from man-made fibers tend to pill. Check label to see that blanket has an anti-pilling finish. Be sure to follow any directions that come with the blankets. Avoid excess agitation. This method may be used for electric blankets and sheets (if labeled machine washable). Wash separately using WARM or COLD wash and rinse. If heavily soiled, soak, otherwise wash 4 minutes using GENTLE wash with NORMAL spin speeds.</p> <p>Measure blanket and pretreat heavily soiled areas. Set TIMER DIAL for maximum wash time. Use SUPER water level, WARM wash, GENTLE agitation and FAST spin. Add detergent. Start washer and agitate for one minute to dissolve detergent. Stop washer. Add blanket and immerse completely in water. Close lid and soak (without agitation) 10 to 15 minutes, depending on amount of soil. Agitate 1-2 minutes. Advance TIMER DIAL to end of wash cycle to remove water from basket. Allow washer to fill with WARM rinse water. Stop washer and soak for 5 minutes without agitation. Advance TIMER DIAL to SPIN. Spin one minute. Repeat rinse agitation 1-2 minutes and allow washer to complete SPIN cycle.</p> <p>Lay blanket on flat surface, and if necessary, block by gently stretching to original measurement. Woolen blankets tend to shrink more the first time they are washed because of the characteristics of wool fibers. Look for shrinkage controls on label.</p>
<p>CURTAINS/DRAPERIES</p>	<p>Check label directions before washing. Be sure fabric is washable, shrink resistant and colorfast. DO NOT wash lined draperies or fiberglass curtains. Wash curtains frequently as heat, light and sun weaken fibers. Even though sunspots may not be visible, they could cause holes to appear after laundering.</p> <p>Remove hooks, pins and trimmings. Shake to remove lint and dust. If heavily soiled, soak or prewash in warm water. Place loosely woven or delicate fabrics in a mesh laundry bag. Wash in small loads using ample water because crowding will cause wrinkles. Wash no more than 2 or 3 pairs of curtains; 1 long pair or 2 short pairs of draperies.</p> <p>Use HOT wash for colorfast cottons and WARM wash for rayon, non-colorfast cotton, polyester, nylon or permanent press fabrics. Use COLD rinse. Soak 5 to 10 minutes followed by 2-6 minutes of GENTLE agitation. Use SLOW spin.</p>
<p>DIAPERS</p>	<p>Rinse in COLD water immediately after use. Soak in covered pail of clean warm water with detergent. Before washing, spin excess water from diapers. Launder in HOT water, detergent and bleach. Agitate for 12-14 minutes. Wash up to 5 dozen diapers. Use REGULAR speed.</p>
<p>ELASTIC GARMENTS</p>	<p>Elastic garments pick up body oils readily. Because these oils are damaging, elastics should be washed frequently to prolong the life of the garment.</p> <p>Pretreat any soiled spots. To avoid snagging, close zippers, fasten hooks and garters. Depending on amount of soil, use either a HOT or WARM wash set for GENTLE speed and wash 4-6 minutes.</p>
<p>FIBERGLASS</p>	<p>Read manufacturer's instructions.</p> <p>Only Fiberglass Beta R fabrics may be laundered as indicated. Never use bleach. Do not wash fiberglass fabrics in your washer because the fibers can break and remain in the washer. These glass particles could become imbedded in the fabrics washed in the next load and cause skin irritation. Wash a full load of items using WARM wash and COLD rinse. Agitate 2-3 minutes at GENTLE speed.</p>

Care of Special Items (Cont.)

Item	Description of Care
FLAME RETARDANT FINISHES	To help reduce the possible loss of the flame retardant finish through continuous washing, clean according to the instructions furnished by the manufacturer of the item.
LINGERIE, DELICATE BLOUSES	Use HOT water for white cotton, permanent press or blends. Use WARM water for silks, rayons, acetates and colors. If desired, place very delicately constructed garments in a mesh bag. Wash 4 to 10 minutes. Follow with COLD rinse. REGULAR speed for sturdy items and GENTLE speed for delicate items. Check hang tag.
PLASTICS (Shower Curtains, Tablecloths, Baby Panties, Rubber Boots)	<p>Check curtains to be sure they are not ripped or torn. Wash shower curtains without detergent, using packaged non-precipitating water conditioner to avoid water spots when dry. Soak, then agitate no more than 2 minutes. (Usually shower curtains are covered with sudsy splashes, thus adding detergent to wash is not necessary.) When washing, use WARM WASH/WARM RINSE and GENTLE speed. Line dry.</p> <p>WARNING - FIRE HAZARD Drying Plastics or Foam Rubber with heat may damage the items or be a FIRE HAZARD.</p>
PILLOWS	Do not wash pillows filled with kapok, fiberglass or cotton. Check labels on fiber-filled pillows to make sure they are machine washable. Check to see that all seams and fabrics are strong and will not break. If in doubt, place in zippered case or in pillow case and baste shut. Keep outer covering on foam pillows or place in zippered case. Wash pillows two at a time to balance load. Place pillows in the washer on opposite sides of the agitator. Use SUPER fill. After washer fills, press pillows into water to remove air. Wash with WARM water and detergent. Stop washer after 2 minutes, turn pillows over. Wash for a total of 4 to 8 minutes. Rinse. Use REGULAR WASH or FINE WASH and REGULAR spin.
RUGS (Scatter)	Check label to make sure rug is washable and colorfast. Vacuum or shake to remove loose surface soil. Soak or prewash rug if it is badly soiled. Use ample water as rugs are very absorbent. Example of a load: One 4' X 6' or three 2' or 3'. Wash more than one small rug at a time. If you wash only one small rug, add bath towels to balance the load. A large rug should be distributed evenly around the agitator to balance the load. Be sure the rug can move freely during agitation. Use HOT water for white, cotton rugs. Use WARM water for colors and rubber or Latex-backed rugs. Wash 8 to 12 minutes at REGULAR speed.
SLIPCOVERS	Be sure fabric is washable, shrink-resistant and colorfast. Shake or vacuum to remove lint and dust. Close fasteners. Pretreat any heavily soiled spots. Wash in small loads using ample water, as these items are often bulky and absorb a large amount. Soak or prewash if heavily soiled. Use WARM wash with a COLD rinse. Soak 5 to 10 minutes, then wash 6-8 minutes. Use REGULAR speed unless slipcovers are weakened by age, then use GENTLE speed.
SWEATERS (Man-Made)	<p>Follow manufacturer's instructions. Treat as a delicate item.</p> <p>Follow procedures used for woolen blankets. Check label to be sure it is machine washable. Handmade knits should NOT be dryer dried.</p>
WATER REPELLENT FINISHES	Water repellent finishes are applied to such fabrics or finished items as sport jackets, all-weather coats and sleeping bags to provide protection from rain or dampness. These finishes also may resist stains. To maintain water repellent properties, it is important to rinse items very thoroughly during laundering. Using a fabric softener, then pressing the garment thoroughly helps maintain the water repellent properties.

Stain Removal

Tips

- Treat stains promptly.
- Identify the stain, if possible.
- Avoid using hot water on unidentified stains, as it might set the stain.
- Never iron a stain as this will set it. Before you use any stain remover, be sure it will not harm the fabric, finish, or color. The water temperature, type of stain remover, or bleach, and even the methods, may vary depending upon the fabric or color.
- Always test stain remover on an inconspicuous area (a seam allowance, hem, or facing) to be sure it will not harm the fabric.
- Place stained area face down on paper towels and apply stain remover to underside of stain. This will force the stain off the surface and not through the fabric. Replace towels frequently to prevent stain transfer.
- Some stains are difficult to remove. It may be necessary to repeat a procedure several times before a stain is removed.

CAUTION

- To avoid personal injury, observe all precautions given on the product labels of stain removers that are flammable, give off poisonous vapors, or that are poisonous if swallowed.
- NEVER USE AMMONIA WITH CHLORINE BLEACH.
- Thoroughly hand wash all items which contain a volatile solution with a detergent in a basin, to remove all traces of the solution before you machine wash them. Only after you thoroughly hand wash and machine wash should you put these items in the dryer.

Unknown Stains

For unknown stains, follow these steps in sequence until the stain is removed.

1. Soak the stain in cold water for at least 20 minutes.
2. Work a liquid laundry detergent into the stain area and allow to stand for 30 minutes, then rinse.
3. Launder in hottest water safe for fabric using ample amount of laundry detergent. Use a chlorine bleach on white or colorfast cottons. Nylons, acrylics, polyesters, rayons or other fabrics use an oxygen bleach and warm water. Set washer for 10 minutes and allow the washer to go through a complete cycle. Soak silk or wool articles in warm water and agitate very briefly, if at all.
4. Soak overnight using a laundry presoak product, following manufacturer's directions.
5. Sponge the stained area thoroughly with dry cleaning fluid. Repeat, if necessary. Rinse thoroughly by hand and launder.

Pretreat

Use prewash sprays with caution as they can remove markings from dials and buttons on washers and dryers, paint from walls and cabinets, and soften fingernail polish. When you are wearing fingernail polish, be sure it doesn't rub off on the items you are pretreating.

Prewash

Excessively soiled articles, such as men's work clothes, diapers, or children's play clothes, need to be prewashed in warm water and detergent to help loosen soil. Follow with a **REGULAR WASH** to which detergent has been added.

Soaking helps loosen soil. Soak in warm or cold water with an enzyme presoak or laundry detergent. Let laundry product dissolve thoroughly before adding clothes.

To prevent transfer of dye, soak white fabrics separately from colored ones. Soaking items for at least 30 minutes is recommended but sometimes it is necessary to soak fabrics for several hours (particularly those stains that have been in the fabric a long time).

You can soak clothes easily and conveniently using the **ULTRA WASH/SOAK TO WASH** cycle on your washer. Be sure to follow soaking with a washing cycle using the full amount of detergent. (See Cycle Descriptions on page 6.)

Stain Removal Chart

This chart applies only to washable items. It does not apply to items which should be drycleaned. Always treat stains as soon as possible before laundering. Air dry articles to be certain stain has been removed; machine drying could make the stain more difficult to remove. You can use prewash spray products or you can rub detergent into the dampened stain.

Stain	Removal Procedure
Alcoholic Beverages/Wine	Sponge promptly with cold water or soak in cold water 30 minutes with detergent. Pretreat remaining stain. Launder with an appropriate bleach. Use the hottest water safe for the fabric.
Blood	Rinse or soak in cold water with detergent for 30 minutes. Pretreat remaining stain. Launder in the hottest water safe for the fabric. Use appropriate bleach. If stain still persists, soak in warm water with a presoak product.
Candle Wax	Scrape off excess with a dull knife. Place stain between several layers of clean white paper towels, and press with a warm iron. Sponge with cleaning fluid. Rinse. If stain remains, launder in the hottest water safe for the fabric and using appropriate bleach.
Carbon Paper	Rub detergent into dampened stain. Rinse thoroughly. If stain persists, put a few drops of ammonia on the stain and repeat treatment with detergent. Rinse thoroughly. If necessary, repeat. If colorfastness is in question, use hydrogen peroxide instead of ammonia.
Catsup	Scrape off excess with dull knife. Soak in cold water for 30 minutes with detergent. Pretreat remaining stain. Launder with an appropriate bleach. Use the hottest water safe for the fabric.
Chewing Gum	Rub with ice to harden. Scrape off excess with a dull knife. Sponge with cleaning fluid. Rinse by hand and launder using the hottest water safe for the fabric.
Chocolate, Cocoa, Coffee or Tea	Rinse or soak in cold water with detergent. Pretreat remaining stain. Launder using the hottest water safe for the fabric. Use appropriate bleach. If stain remains, sponge with a safe cleaning fluid. Rinse by hand. Launder again.
Cosmetics	Pretreat the stain. Launder using the hottest water safe for the fabric. Use appropriate bleach.
Crayon	Rub detergent or soap into dampened stain until a thick suds is formed. Work in until outline of stain is removed. Launder in hot water using chlorine bleach, if safe for fabric. Repeat process, if necessary. For stains throughout a load of clothes, wash items in hot water using laundry soap (not detergent) and one cup of baking soda. If color stain remains, launder with a detergent and chlorine bleach. Use warm water and oxygen-type bleach instead of chlorine bleach if colorfastness is in question.
Deodorants and Anti-Perspirants	<p>Pretreat the stain. Launder using the hottest water safe for the fabric. Use appropriate bleach.</p> <p>Anti-perspirants that contain acidic substances, such as aluminum chloride, may cause fabric damage and change the color of some dyes. Color might be restored by sponging with ammonia. Rinse thoroughly. If colorfastness is in question, launder in warm water. If ammonia treatment is required to treat wool, mohair or silk, dilute with equal amount of water. Rinse thoroughly.</p> <div style="border: 1px solid black; padding: 2px; text-align: center; font-weight: bold; margin-top: 5px;"> CAUTION: DO NOT USE CHLORINE BLEACH AND AMMONIA AT THE SAME TIME. </div>
Egg, Meat Juice and Gravy	If dried, scrape off as much as possible with a dull knife. Soak in cold water with detergent. Pretreat the stain. Launder using the hottest water safe for the fabric. Use appropriate bleach.
Fruit, Fruit Juice	Soak in cold water with detergent. Pretreat the stain. Launder using the hottest water safe for the fabric. Use appropriate bleach.
Glue	Soak in warm water with detergent. Launder in hot water if fabric is colorfast.
Grass	Pretreat stain. Launder using the hottest water safe for the fabric. Use appropriate bleach. If stain remains, sponge with denatured alcohol. Rinse thoroughly. If colorfastness is questionable or fabric is acetate, dilute alcohol with two parts water.
Grease, Oil and Salad Dressing	Pretreat stain. Launder using the hottest water safe for the fabric. Use appropriate bleach. If stain remains, sponge with cleaning fluid. Rinse thoroughly by hand. Launder again.

Stain Removal Chart (Cont.)

Stain	Removal Procedure
Ink (Ballpoint)	Spray stain with hair spray until saturated or sponge stain with rubbing alcohol or spray with pretreat product. Rinse thoroughly. Pretreat stain. Launder using the hottest water safe for the fabric. Use appropriate bleach.
Ink (Felt Tip)	Spray stain with liquid household cleaner until saturated. Rub cleaner into stain. Rinse. Repeat as many times as necessary to remove stain. Launder.
Mildew	Pretreat stain. Launder using the hottest water safe for the fabric. Use appropriate bleach. If stain remains, sponge with hydrogen peroxide. Rinse thoroughly and launder again.
Milk, Cream, Ice Cream	Soak in cold water with detergent. Pretreat stain. Launder using the hottest water safe for the fabric. Use appropriate bleach. If greasy stain remains, sponge with cleaning fluid. Rinse by hand. Launder again.
Mud	Let stain dry, then brush well. Sponge with cold water. Pretreat stain. Launder using the hottest water safe for the fabric. Use appropriate bleach.
Mustard	Pretreat stain. Launder using the hottest water safe for the fabric. Use appropriate bleach.
Nail Polish	Place stain face down on paper towels. Sponge with nail polish remover or amyl acetate. Use amyl acetate only on acetate. (Test nail polish remover on seam of garment first.) Launder after rinsing thoroughly by hand. If color remains, bleach, if safe for fabric.
Perfume	Sponge promptly with cold water or soak in cold water 30 minutes with detergent. Pretreat remaining stain. Launder with an appropriate bleach. Use the hottest water safe for the fabric.
Perspiration	Pretreat remaining stain. Launder with an appropriate bleach. Use the hottest water safe for the fabric. If fabric has been discolored, restore by applying ammonia to fresh stains or vinegar to old stains. Rinse. Launder.
<div style="border: 1px solid black; padding: 5px; background-color: #e0e0e0;"> CAUTION - DO NOT USE CHLORINE BLEACH AND AMMONIA AT THE SAME TIME. </div>	
Rust	Apply rust remover according to manufacturer's directions. Launder. Do not use chlorine bleach on rust stains. Do not use rust remover in washer or on washer top.
Shoe Polish	Scrape off as much as possible with a dull knife. Pretreat remaining stain. Launder with an appropriate bleach. Use the hottest water safe for the fabric. If stain persists, sponge with one part denatured alcohol and two parts water. Rinse thoroughly by hand. Launder.
Tar	Treat immediately before stain is dry. Pour cleaning fluid through fabric. Repeat. Stain may be impossible to remove. Rinse thoroughly by hand. Launder.
Urine	Soak in cold water with detergent. Pretreat remaining stain. Launder with an appropriate bleach. Use the hottest water safe for the fabric.

Problem Solving Guide

Problem	Remedy	Prevention
<p>Lint on Clothes</p> <p>Are clothes sorted properly? Are you using enough detergent, overloading washer, leaving tissue paper in pockets, or overdrying?</p>	<p>Brush lint from clothes or use a lint remover roller.</p>	<p>Separate lint-giver (terry towels, sweat-shirts, chenille) from lint-receivers (corduroy, permanent press, knits). Use GENTLE agitation. Man-made fabrics, blends and permanent press readily attract lint from cottons due to static electricity. Use a fabric softener in the dryer to lessen static electricity. Increase detergent. Empty pockets.</p>
<p>Greasy or Oily Stains</p> <p>Food or cooking oil stains on synthetic fabrics are sometimes called "invisible stains" because you may not notice them when you put clothes in the washer. If oily soils are not completely removed in the wash, the oily spots may pick up dirt from wash water. The spots will then be visible. They are not caused by the washer.</p> <p>Are you using enough detergent?</p>	<p>Rub in undiluted detergent, let stand 30 minutes and rewash, using hottest water safe for fabric.</p> <p>Increase detergent usage.</p>	<p>Wash synthetic garments as soon after wearing as practical, using more detergent than normal and hottest water safe for fabric.</p>
<p>Rust Stains (Brown or Yellow Stains)</p> <p>Do you have iron pipes? Is there sediment in the hot water tank?</p> <p>Is there Iron or Manganese in the water supply reacting with soap, detergent, or chlorine bleach? Iron in the water may be in a dissolved form and not visible to the eye without a chemical test.</p>	<p>Commercial rust removers. To remove, use a commercial rust remover, follow label directions as rust remover could damage the finish of your washer. Rinse clothes thoroughly by hand before placing in the washer. After rinsing, clothes should be washed.</p>	<p>Flush hot water tank.</p> <p>If porcelain sinks and tubs have rust colored deposits, iron probably is present in the water supply. To correct, check with a water treatment company. Do not use chlorine bleach in water that contains iron. Consider replacing the rusted out water tank or use an iron filter if problem is severe.</p>
<p>Soil Spots or Streaks on Freshly Laundered Clothes</p> <p>Are you using enough detergent?</p> <p>Are you washing heavily soiled and lightly soiled clothes in the same load?</p> <p>Is the washer basket dirty from washing heavily soiled clothes, rugs?</p>	<p>Increase detergent usage.</p> <p>Wipe out basket and rewash dirty clothes.</p>	<p>Sort dirty clothes by amount of soil. If only a few clothes are very dirty, prewash them first.</p> <p>Shake out sandy clothes, vacuum rugs. Prewash heavily soiled clothes, such as men's work and children's play clothes. Wipe out washer basket with damp sponge or cloth.</p>

Problem Solving Guide (Cont.)

Problem	Remedy	Prevention
<p>Grayed Clothes</p> <p>Is water hot enough? Are clothes sorted properly?</p> <p>Are you using enough detergent?</p> <p>Is washer overloaded and/or not enough water for load?</p> <p>Have you read section on soaking? Improper soaking with insufficient detergent could be a cause.</p> <p>Is soap being used in hard water or is an inferior poor quality detergent being used?</p>	<p>Wash in hottest water safe for fabric and use adequate amount of detergent. Repeat procedure several times, if necessary.</p>	<p>Wash white cottons, linens and man-made fabrics in hot water. Hot water is necessary to remove perspiration and greasy or oily stains. Sort laundry by fabric, color and amount of soil.</p> <p>Use adequate detergent. Start with amount recommended on detergent package. Use more for large loads or very dirty loads, or when you wash in hard water.</p> <p>Place unfolded laundry loosely in washer, do not fill above top of small vanes on agitator. Set water level according to load size.</p> <p>Usually a 30 minute soak is sufficient. However, when heavily soiled garments are soaked for extended periods, you may need to use twice the recommended amount of detergent.</p> <p>Use a phosphate detergent, if possible. In addition, use water conditioner, pretreat stains, use hottest water possible, use bleach where possible, use presoaks, or install a water softener.</p>
<p>Dingy White Permanent Press, Nylons or Blends</p> <p>Is enough detergent being used? Are clothes sorted by color? Permanent press, blends, etc., washed with pastel colors pick up even traces of loose dye.</p> <p>Are heavily soiled or greasy items washed with other clothes? Is water temperature too low?</p>	<p>Increase detergent usage. Nylon whitener may help. Bleach according to garment manufacturer's instructions.</p> <p>Try using a spot lifter. Or sponge grease spot with safe drycleaning fluid; then, before it dries, saturate area with liquid detergent. Wash. For old or heavy grease spots, clean article in coin operated dry cleaner.</p>	<p>Wash whites by themselves. Use adequate detergent.</p> <p>Remove grease spots while fresh. Wash clothes in hot water, using plenty of detergent. Do not wash permanent press items with other greasy items since they readily absorb greasy soils.</p>

Problem Solving Guide (Cont.)

Problem	Remedy	Prevention
<p>Polka Dots: A pattern of spots that match wash tub perforations.</p> <p>Is water temperature too low?</p> <p>Is there too little detergent being used?</p> <p>Is there hard water?</p> <p>Is too little water for the quantity of garments being washed?</p>	<p>Wash in the hottest water safe for fabric and use adequate amount of detergent.</p>	<p>Use correct water temperature. For adequate results, hot water is recommended.</p> <p>Measure detergent with a measuring cup; follow manufacturer's instructions. Increase amount of detergent for heavily soiled clothes.</p> <p>Use a packaged non-precipitating water conditioner.</p> <p>Make certain water level allows clothes to move freely.</p>
<p>Blue or Bluish Gray Stains</p> <p>Was fabric softener used correctly? (Be sure to dilute)</p> <p>Does detergent laundry aid or fabric softener contain a blue coloring? Failure of a blue coloring in detergent, laundry aid or fabric softener to dissolve or dispense could be the problem.</p>	<p>Rub dampened stain area vigorously with hand soap. Rinse, then wash. If many items are involved, dry cleaning is recommended. The dry cleaning fluid used in the process should lift temporary markings.</p> <p>If caused by a detergent or granular laundry aid, add 1 cup of white vinegar to 1 quart of water. Use a plastic container. Soak item for 1 hour; rinse. If caused by fabric softener, rub stain with bar soap; wash.</p>	<p>Carefully follow manufacturer's instructions. Never pour fabric softener directly onto clothing.</p> <p>Add product first then clothes and start washer.</p>
<p>Black Spots</p> <p>Deposits from a combination of oily soil; water hardness; fabric softener; low or non-phosphate detergents which contain precipitating builders.</p> <p>Particles may collect under the agitator or on the outside of the inner wash tub and eventually loosen and deposit on the clothes.</p>	<p>Rewash with hottest water safe for fabric and adequate amount of detergent.</p>	<p>Condition washer with 2 cups Calgon. After laundering heavily soiled clothes, wipe the wash tub, the inside and outside of the agitator with a damp absorbent cloth.</p> <p>In areas that have hard water or clay soil, use a conditioner.</p>

Problem Solving Guide (Cont.)

Problem	Remedy	Prevention
Holes, Tears, Snags or Excessive Wear		
<p>Improper use of chlorine bleach.</p> <p>Too little water in washer or too large a load.</p> <p>Are pins or sharp objects left on garments or in pockets?</p> <p>Are snap, hooks, zippers, sharp buttons, buckles closed?</p> <p>Is the damage from chemicals such as hair preparations (bleach, dye, home permanent solution) or battery acid, and some toilet bowl cleaners?</p> <p>Is damage caused by treatment by manufacturer? Collars and cuffs of permanent press items fray. (Because the permanent press process weakens the fibers). This problem is not caused by the washer.</p> <p>Were there undetected holes or defects? Small, unnoticed holes, tears, or ripped seams may enlarge during washing. Manufacturing defects unnoticed at purchase may appear after washing.</p> <p>Was REGULAR agitation speed used for delicate fabrics?</p> <p>Are garments weakened by aging, sun or atmosphere?</p> <p>Is there roughness or burrs on agitator due to damage incurred by heavy belt buckles, etc.?</p>	<p>There is no solution once this type of damage has occurred.</p>	<p>Always measure bleach. Dilute measured bleach in at least one quart of water before adding to washer. Do not pour bleach directly onto clothes.</p> <p>Load washer so items will move freely during agitation, and select correct water level for load.</p> <p>Remove all pins; check pockets of all garments before you put them in the washer. Also, check wash tub for any objects.</p> <p>Fasten hooks, snaps and buttons; zip zippers. Remove sharp objects and buckles. This procedure is very important when you wash knits, which can snag easily. Place sheer garments in a mesh bag before placing in washer.</p> <p>Immediately and thoroughly rinse towels and other articles which have come in contact with these chemicals before you put them in the washer. Avoid contaminating items of clothing with such chemicals.</p> <p>This deterioration can be slowed by washing small permanent press loads with a SUPER water level. Do not wash heavy items, such as towels, with permanent press. When possible remove collar stays.</p> <p>Check garments carefully before loading washer. Mend all rips and tears.</p> <p>Refer to garment manufacturer's care instructions. If in doubt, use GENTLE agitation.</p> <p>This is an inevitable process and is not caused by the washer. You may slow down the process by use of GENTLE agitation.</p> <p>Examine agitator for roughness or burrs, and smooth by filing, if necessary.</p>

Service Information

Check the following list to be sure a service call is really necessary.

If the water won't drain:

- Is the hose kinked or knotted?
- Is the drain outlet clogged?

If the washer does not fill:

- Is the electrical cord plugged in correctly?
- Has a fuse blown or is the circuit breaker tripped?
- Is the **TIMER DIAL** pulled out?
- Is the **TIMER DIAL** set properly (not in the off position)? Turn off, let stand for 30 minutes then restart. Motor thermal protector may have engaged.
- Are the hot and cold water faucets turned on?
- Are the hoses kinked or knotted?
- Are the hose filters clogged?

If water is leaking:

- Are the hose connections tight at the faucets?
- Is the end of the drain hose correctly inserted in and secured to the drain facility?

If the water temperature is incorrect:

- Is the **WATER TEMP. SELECTION** set correctly?
- Are the hoses connected to the correct faucets (hot to hot, cold to cold)?
- Are the hot and cold faucets turned on?
- Is the water heater set correctly?

If the washer does not spin:

- Is the lid closed?
- Is the electrical cord plugged in correctly?
- Has a fuse blown or is the circuit breaker tripped?

If the washer is noisy:

- Is the washer level and firm to the floor?
- Is the load unbalanced? (Excessive vibration can occur when a load becomes unbalanced.)

If You Need Service

- Call the dealer from whom your appliance was purchased or the authorized Jenn-Air Service Contractor listed in the Yellow Pages. Your Jenn-Air Service Contractor can provide better and faster service if you can accurately describe problems and give model and serial number of the appliance. Be sure to retain proof of purchase to verify warranty status. Refer to **WARRANTY** for further information of owner's responsibilities for warranty service.
- If the dealer or service company cannot resolve the problem, write to Jenn-Air Customer Assistance, c/o Maytag Customer Service, P.O. Box 2370, Cleveland, TN 37320-2370, 1-800-688-1100 (United States or Ontario) or 1-615-472-3333.
- Use and care manuals, service manuals, and parts catalogs are available from Jenn-Air Customer Assistance, c/o Maytag Customer Service.

All specifications subject to change by manufacturer without notice.

Important Information

MODEL NUMBER _____

SERIAL NUMBER _____

(Numbers appear on the serial plate on the back of the control panel on the upper edge.)

DATE PURCHASED _____

JENN-AIR DEALER FROM WHOM PURCHASED

ADDRESS _____

CITY _____

PHONE _____

AUTHORIZED JENN-AIR SERVICE CONTRACTOR

ADDRESS _____

CITY _____

PHONE _____

IMPORTANT
For Satisfaction Of Your Warranty —
Follow These Steps In Order

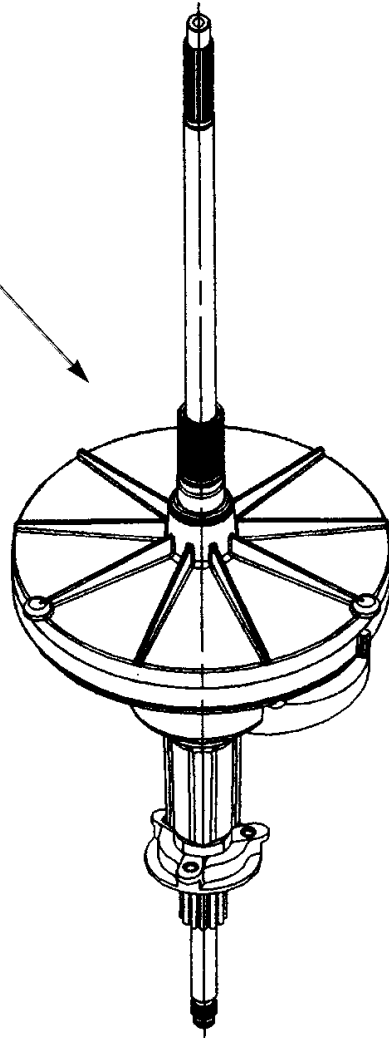
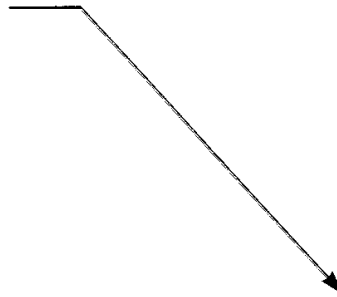
If service or parts are ever necessary, contact the dealer from whom you purchased the appliance.

If your problem is not solved locally, please contact us by mail or telephone during normal business hours and we will take the necessary steps to assure that parts or service are available to you within the terms of our warranty.

Jenn-Air Customer Assistance
c/o Maytag Customer Service
P.O. Box 2370
Cleveland, Tennessee 37320-2370
1-800-688-1100
(U.S. and Ontario) or
(615) 472-3333

Limited Transmission Warranty

Dual Drive Transmission



AUTOMATIC WASHER

JENN-AIR GOLDEN PRODUCT WARRANTY

All Jenn-Air appliances carry a minimum warranty of first year full warranty parts and labor, plus a second year limited warranty for parts only. Warranties begin on the date of purchase. Product is warranted to customer* for home use only.

JENN-AIR, will repair or replace, at its option, any clothes washer which evidences, within the warranty period, a defect in material or workmanship.

LIMITED WARRANTY Second Through Fifth Years

During the period beginning with the expiration of the two-year parts warranty and continuing through the fifth year after the date of original purchase by a consumer, **JENN-AIR** will:

Repair or replace any part of the outer washer cabinet that has failed due to complete rust-through due to defective material or workmanship.

Owner will pay for mileage and / or transportation if required for service and all labor costs.

LIMITED WARRANTY Second Through Tenth Years

During the period beginning with the expiration of the two year parts warranty and continuing through the tenth year after date of original purchase by a consumer, **JENN-AIR**, will:

Repair or replace any transmission that has failed as a result of defective material or workmanship.

Owner will pay for mileage, and / or transportation, if required for service, and all labor costs.

LIMITED WARRANTY Second Through Twenty-Second Years

During the period beginning with the expiration of the two year parts warranty and continuing through the twenty-second year after date of original purchase by a consumer, **JENN-AIR**, will:

Repair or replace any inner and outer wash tub that has failed as a result of defective material or workmanship.

Owner will pay for mileage, and / or transportation, if required for service, and all labor costs.

TERMS APPLICABLE TO ALL WARRANTIES

Exclusions

JENN-AIR'S OBLIGATIONS UNDER THIS WARRANTY SHALL NOT EXTEND TO ANY MALFUNCTION OR OTHER PROBLEM CAUSED BY:

1. Unreasonable use, such as but not limited to:
 - (a) Improper setting of controls (see Use and Care Manual).
 - (b) Improper installation including failure to conform to local electrical codes.
 - (c) Improper voltage supply, loose electrical connections or blown house fuses.
2. Circumstances not attributable to a defect in material or workmanship.
3. Parts not covered by the limited warranty, during the limited warranty period.
4. Unauthorized repair, alteration, modification or adjustment.

To Secure Warranty Service

Contact your local dealer for referral to an authorized warranty servicer, or contact Jenn-Air Customer Assistance, c/o Maytag Customer Service, P.O. Box 2370, Cleveland, TN 37320-2370, 1-800-688-1100 (United States or Ontario) or 1-615-472-3333. To save time, your letter should include the complete model and serial number of the warranted appliance, the name and address of the dealer from whom you purchased the appliance, the date of purchase and details concerning your problem.

Limitation of Liability

IN NO EVENT SHALL **JENN-AIR** BE LIABLE FOR ANY INCIDENTAL OR CONSEQUENTIAL DAMAGES SUSTAINED BY ANY PERSON AS A RESULT OF ANY BREACH OF THIS WARRANTY OR ANY IMPLIED WARRANTY UNLESS HEREIN OTHERWISE PROVIDED. SOME STATES DO NOT ALLOW THE EXCLUSION OR LIMITATIONS OF INCIDENTAL OR CONSEQUENTIAL DAMAGES, SO THE ABOVE LIMITATIONS OR EXCLUSION MAY NOT APPLY TO YOU.

Additional Rights

This Warranty gives you specific legal rights and you may also have other rights which may vary from state to state. No one is authorized to increase, alter or enlarge **JENN-AIR'S** responsibilities or obligations under these warranties.

*As defined in regulations under the Magnuson-Moss Warranty Act.

