

# Microwave Oven Owner's Manual

**Installer:** Please leave this manual with this appliance.

**Consumer:** Please read and keep this manual for future reference. Keep sales receipt and/or cancelled check as proof of purchase.

Model Number

---

Serial Number

---

Date of Purchase

---

In our continuing effort to improve the quality and performance of our appliances, it may be necessary to make changes to the appliance without revising this guide.

If you have questions, write us (include your model number and phone number) or call:

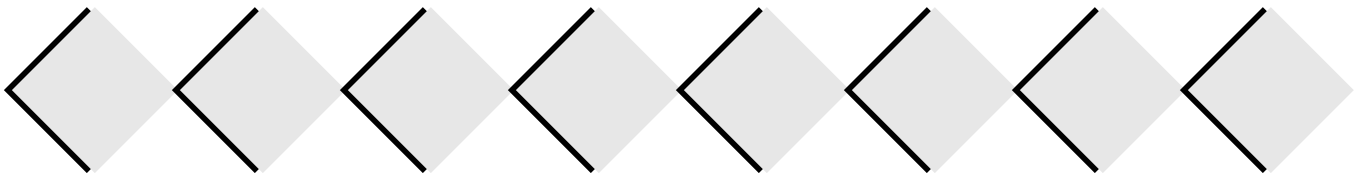
Maytag Appliances Sales Company  
Attn: CAIR® Center  
P.O. Box 2370  
Cleveland, TN 37320-2370  
1-800-688-9900 U.S.A.  
1-800-688-2002 Canada  
1-800-688-2080 (U.S.A. TTY for hearing or speech impaired)  
(Mon.-Fri., 8 am-8 pm Eastern Time)  
Internet: <http://www.maytag.com>

## Contents

Important Safety Instructions .....	2-4
Installation .....	5
Other Helpful Information .....	6-7
Cooking Utensils .....	8
Feature Diagram .....	9
Control Panel .....	9
Operating Instructions .....	10-17
Fresh Vegetable Chart .....	18
Using Sensor Cook .....	19
Care and Cleaning .....	20
Troubleshooting .....	21
Warranty .....	24

## Electric Microwave

**Keep instructions for future reference.  
Be sure manual stays with oven.**



# IMPORTANT SAFETY INSTRUCTIONS

---

## What You Need to Know About Safety Instructions

Warning and Important Safety Instructions appearing in this manual are not meant to cover all possible conditions and situations that may occur. Common sense, caution, and care must be exercised when installing, maintaining, or operating microwave.

Always contact your dealer, distributor, service agent, or manufacturer about problems or conditions you do not understand.

## Recognize Safety Symbols, Words, Labels

 **DANGER**

**DANGER**— Immediate hazards which WILL result in severe personal injury or death.

 **WARNING**

**WARNING**— Hazards or unsafe practices which COULD result in severe personal injury or death.

 **CAUTION**

**CAUTION**— Hazards or unsafe practices which COULD result in minor personal injury.

# IMPORTANT SAFETY INSTRUCTIONS

## CAUTION

To avoid risk of personal injury or property damage, observe the following:

1. Be certain to place the front surface of the door three inches away or more from the countertop edge to avoid accidental tipping of the appliance in normal usage.
2. For the most accurate programming of the electronic units, touch the center of each pad securely. Do not touch several pads at one time or touch between pads. A beep sound should be heard with each touch when a pad is touched correctly.
3. Do not hit or strike the control with objects such as silverware, utensils, etc. Breakage may occur.
4. Be careful when taking the cooking utensils out of the oven. Some dishes absorb heat from the cooked food and may be hot.
5. Do not rinse cooking utensils by immediately placing them into water just after cooking. This may cause breakage. Allow the turntable to cool.
6. Use only specific glass utensils. See cooking utensils section in this manual.
7. Do not operate the oven empty. Either food or water should always be in the oven during operation to absorb microwave energy.
8. Do not use your microwave oven to dry newspapers or clothes. They can catch fire.
9. Use only thermometers approved for microwave oven cooking.
10. Be certain the turntable is in place when you operate the oven.
11. Pierce the skin of potatoes, whole squash, apples, or any fruit or vegetable which has a skin covering before cooking.
12. Never use your microwave oven to cook eggs in the shell. Pressure can build up inside the shell, causing it to burst.
13. Do not pop popcorn, except in a microwave-safe container or commercial package designed especially for microwave ovens. Never try to pop popcorn in a paper bag not designed for microwave oven use. Overcooking may result in smoke and fire. Do not repop unpopped kernels. Do not reuse popcorn bags.

## PRECAUTIONS TO AVOID POSSIBLE EXPOSURE TO EXCESSIVE MICROWAVE ENERGY

- A. **DO NOT** attempt to operate this oven with the door open since open door operation can result in harmful exposure to microwave energy. It is important not to defeat or tamper with the safety interlocks.
- B. **DO NOT** place any object between the oven front face and the door to allow soil or cleaner residue to accumulate on sealing surfaces.
- C. **DO NOT** operate the oven if it is damaged. It is particularly important that oven door close properly and that there is no damage to:
  1. door (bent),
  2. hinges and latches (broken or loosened),
  3. door seals and sealing surfaces.
- D. Oven should not be adjusted or repaired by anyone except properly qualified service personnel.

## WARNING

Liquids such as water, coffee, or tea are able to be overheated beyond the boiling point without appearing to be boiling due to surface tension of the liquid. Visible bubbling or boiling when the container is removed from the microwave oven is not always present. **THIS COULD RESULT IN VERY HOT LIQUIDS SUDDENLY BOILING OVER WHEN A SPOON OR OTHER UTENSIL IS INSERTED INTO THE LIQUID.** To reduce the risk of injury to persons:

1. Do not overheat the liquid.
2. Stir the liquid both before and halfway through heating it.
3. Do not use straight-sided containers with narrow necks.
4. After heating, allow the container to stand in the microwave oven for a short time before removing the container.
5. Use extreme care when inserting a spoon or other utensil into the container.

**SAVE THESE INSTRUCTIONS**

# IMPORTANT SAFETY INSTRUCTIONS

## Recognize this symbol as a SAFETY message

### WARNING

When using electrical microwave, basic safety precautions should be followed to reduce risk of burns, electric shock, fire, or injury to persons or exposure to excessive microwave energy.

1. **READ** all instructions before using the appliance.
2. **READ AND FOLLOW** the specific **PRECAUTIONS TO AVOID POSSIBLE EXPOSURE TO EXCESSIVE MICROWAVE ENERGY** in **IMPORTANT SAFETY INSTRUCTIONS**.
3. This appliance **MUST BE GROUNDED**. Connect only to properly grounded outlet. See **GROUNDING INSTRUCTIONS** in *Installation* section of this manual.
4. Install or locate this appliance **ONLY** in accordance with the installation instructions.
5. Some products such as whole eggs and sealed containers—for example, closed glass jars—are able to explode and **SHOULD NOT** be **HEATED** in this oven.
6. Use this appliance **ONLY** for its intended use as described in this manual. Do not use corrosive chemicals or vapors in this appliance. This type of oven is specifically designed to heat, cook or dry food. It is not designed for industrial or laboratory use.
7. As with any appliance, **CLOSE SUPERVISION** is necessary when used by **CHILDREN**.
8. **DO NOT** operate this equipment if it has a damaged cord or plug, if it is not working properly, or if it has been damaged or dropped.
9. This appliance should be serviced **ONLY** by qualified service personnel. Contact the nearest authorized service facility for examination, repair, or adjustment.
10. **DO NOT** cover or block any openings on the appliance.
11. **DO NOT** store this appliance outdoors. **DO NOT** use this product near water – for example, near a kitchen sink, in a wet basement, or near a swimming pool, or similar locations.
12. **DO NOT** immerse cord or plug in water.
13. Keep cord **AWAY** from **HEATED** surfaces.
14. **DO NOT** let cord hang over edge of table or counter.
15. When cleaning surfaces of door and oven that comes together on closing the door, use only mild, non abrasive soaps or detergents applied with a sponge or soft cloth.
16. **DO NOT** heat any type of baby bottles or baby food. Uneven heating may occur and could cause personal injury.
17. Avoid heating small-necked containers such as syrup bottles.
18. Avoid using corrosive and vapors, such as sulfide and chloride.
19. Liquids heated in certain shaped containers (especially cylindrical-shaped containers) may become overheated. The liquid may splash out with a loud noise during or after heating or when adding ingredients (instant coffee, etc.), resulting in harm to the oven and possible injury. In all containers, for best results, stir the liquid several times before heating. Always stir liquid several times between reheatings.

### CAUTION

To reduce the risk of fire in the oven cavity:

- a. Do not overcook food. Carefully attend appliance if paper, plastic, or other combustible materials are placed inside the oven to facilitate cooking.
- b. Remove wire twist-ties from paper or plastic bags before placing bag in oven.
- c. If materials inside the oven should ignite, **KEEP OVEN DOOR CLOSED**, turn oven off, and disconnect the power cord or shut off power at the fuse or circuit breaker panel.
- d. Do not use the cavity for storage purposes. Do not leave paper products, cooking utensils, or food in the cavity when not in use.

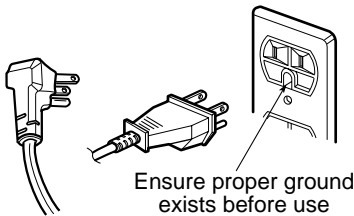
## SAVE THESE INSTRUCTIONS

## **! WARNING**

- To avoid risk of electrical shock or death, this oven must be grounded.
- To avoid risk of electrical shock or death, do not alter the plug.

## Grounding Instructions

**Oven MUST be grounded.** Grounding reduces risk of electric shock by providing an escape wire for the electric current if an electrical short occurs. This oven is equipped with a cord having a grounding wire with a grounding plug. The plug must be plugged into an outlet that is properly installed and grounded.



Consult a qualified electrician or servicer if grounding instructions are not completely understood, or if doubt exists as to whether the oven is properly grounded.

**Do not use an extension cord.** If the product power cord is too short, have a qualified electrician install a three-slot receptacle. This oven should be plugged into a separate 60 hertz circuit with the electrical rating as shown in specifications table. When the combination oven is on a circuit with other equipment, an increase in cooking times may be required and fuses can be blown.

Microwave operates on standard household current, 110-120V.

## CIRCUITS

For safety purposes this oven must be plugged into a 15 or 20 Amp circuit. No other electrical appliances or lighting circuits should be on this line. If in doubt, consult a licensed electrician.

## VOLTAGE

The voltage used at the wall receptacle must be the same as specified on the oven name plate located inside oven door. Use of a higher voltage is dangerous and may result in a fire or other type of accident causing oven damage. Low voltage will cause slow cooking. In case your microwave oven does not perform normally in spite of proper voltage, remove and reinsert the plug.

## PLACEMENT OF THE OVEN

Your microwave oven can be placed easily in your kitchen, family room, or anywhere else in your home. Place the oven on a flat surface such as a kitchen countertop or a specially designed microwave oven cart. Do not place oven above a gas or electric range. Free air flow around the oven is important.

## DO NOT BLOCK AIR VENTS

All air vents should be kept clear during cooking. If air vents are covered during oven operation the oven may overheat. In this case, a sensitive thermal safety device automatically turns the oven off. The oven will be inoperable until it has cooled sufficiently.

## RADIO INTERFERENCE

1. Microwave oven operation may interfere with TV or radio reception.
2. When there is interference, it may be reduced or eliminated by taking the following measures:
  - a. Clean the door and the sealing surfaces of the oven.
  - b. Reorient the receiving antenna of radio or television.
  - c. Relocate the microwave oven in relation to the TV or radio.
  - d. Move the microwave oven away from the receiver.
  - e. Plug the microwave oven into a different outlet so that microwave oven and receiver are on different branch circuits.

## UNPACKING OVEN

- Inspect oven for damage such as dents in door or inside oven cavity.
- Report any dents or breakage to source of purchase immediately. **Do not attempt to use oven if damaged.**
- Remove all materials from oven interior.
- If oven has been stored in extremely cold area, wait a few hours before connecting power.

# Other Helpful Information

---

## GETTING THE BEST RESULTS FROM YOUR MICROWAVE OVEN

**Keep an eye on things.** The instructions in this book have been formulated with great care, but your success in preparing food depends, of course, on how much attention you pay to the food as it cooks. Always watch your food while it cooks. Your microwave oven is equipped with a light that turns on automatically when the oven is in operation so that you can see inside and check the progress of your recipe. Directions given in recipes to elevate, stir, and the like should be thought of as the minimum steps recommended. If the food seems to be cooking unevenly, simply make the necessary adjustments you think appropriate to correct the problem.

**Factors affecting cooking times.** Many factors affect cooking times. The temperature of ingredients used in a recipe makes a big difference in cooking times. For example, a cake made with ice-cold butter, milk, and eggs will take considerably longer to bake than one made with ingredients that are at room temperature. All of the recipes in this book give a range of cooking times. In general, you will find that the food remains undercooked at the lower end of the time range, and you may sometimes want to cook your food beyond the maximum time given, according to personal preference. The governing philosophy of this book is that it is best for a recipe to be conservative in giving cooking times. While undercooked food may always be cooked a bit more, overcooked food is ruined for good. Some of the recipes, particularly those for bread, cakes, and custard, recommend that food be removed from the oven when they are slightly undercooked. This is not a mistake. When allowed to stand, usually covered, these foods will continue to cook outside of the oven as the heat trapped within the outer por-

tions of the foods gradually travels inward. If the foods are left in the oven until they are cooked all the way through, the outer portions will become overcooked or even burned.

As you gain experience in using your microwave oven, you will become increasingly skillful in estimating both cooking and standing times for various foods.

## SPECIAL TECHNIQUES IN MICROWAVE COOKING

**Browning:** Meats and poultry that are cooked fifteen minutes or longer will brown lightly in their own fat. Foods that are cooked for a shorter period of time may be brushed with a browning sauce to achieve an appetizing color. The most commonly used browning sauces are Worcestershire sauce, soy sauce, and barbecue sauce. Since relatively small amounts of browning sauces are added to foods, the original flavor of recipes is not altered.

**Covering:** A cover traps heat and steam and causes food to cook more quickly. You may either use a lid or microwave cling-film with a corner folded back to prevent splitting.

**Covering with waxed paper:** Waxed paper effectively prevents spattering and helps food retain some heat. Since it makes a looser cover than a lid or cling-film, it allows the food to dry out slightly.

**Wrapping in waxed paper or paper towel:** Sandwiches and many other foods containing prebaked bread should be wrapped prior to microwaving to prevent drying out.

**Arranging and spacing:** Individual foods such as baked potatoes, small cakes, and hors d'oeuvres will heat more evenly if placed in the oven and equal distance apart, preferably in a circular pattern. Never stack foods on top of one another.

**Stirring:** Stirring is one of the most important of all microwaving techniques. In conventional cooking, foods are stirred for the purpose of blending. Microwaved foods, however, are stirred in order to spread and redistribute heat. Always stir from the outside towards the center as the outside food heats first.

**Turning over:** Large, tall foods such as roasts and whole chickens should be turned so that the top and bottom will cook evenly. It is also a good idea to turn cut-up chicken and chops.

**Placing thicker portions near the edge:** Since microwaves are attracted to the outside portion of foods, it makes sense to place thicker portions of meat, poultry and fish to the outer edge of the baking dish. This way, thicker portions will receive the most microwave energy and the foods will cook evenly.

**Elevating:** Thick or dense foods are often elevated so that microwaves can be absorbed by the underside and center of the foods.

**Piercing:** Foods enclosed in a shell, skin, or membrane are likely to burst in the oven unless they are pierced prior to cooking. Such foods include both yolks and whites of eggs, clams and oysters, and many whole vegetables and fruits.

**Testing if cooked:** Because foods cook so quickly in a microwave oven, it is necessary to test food frequently. Some foods are left in the microwave until completely cooked, but most foods, including meats and poultry, are removed from the oven while still slightly undercooked and allowed to finish cooking during standing time. The internal temperature of foods will rise between 5° F (3° C) and 15° F (8° C) during standing time.

**Standing time:** Foods are often allowed to stand for 3 to 10 minutes after being removed from the microwave oven. Usually the foods are covered during standing time to retain heat unless they are supposed to be dry in texture (some cakes and biscuits, for example). Standing allows foods to finish cooking and also helps flavors to blend and develop.

## **HOW FOOD CHARACTERISTICS AFFECT MICROWAVE COOKING**

**Density of foods:** Light, porous food like cakes and breads cook more quickly than heavy, dense foods such as roasts and casseroles. You must take care when microwaving porous foods that the outer edges do not become dry and brittle.

**Height of foods:** The upper portion of tall foods, particularly roasts, will cook more quickly than the lower portion. Therefore, it is wise to turn tall foods during cooking, sometimes several times.

**Moisture content of foods:** Since the heat generated from microwaves tends to evaporate moisture, relatively dry foods such as roasts and some vegetables should either be sprinkled with water prior to cooking or covered to retain moisture.

**Bone and fat content of foods:** Bones conduct heat and fat cooks more quickly than meat. Therefore, care must be taken when cooking bony or fatty cuts of meat that the meats do not cook unevenly and do not become overcooked.

**NOTE:** It is a common misconception that microwaves cook food from the inside out. This comes from heating filled pastries with a high sugar content, like jelly doughnuts. The pastry is cool but the filling is very hot! If you cook a chicken or a roast, you'll see the outside is cooked first.

**Shape of foods:** Microwaves penetrate only about 1 inch (2.5cm) into foods; the interior portion of thick foods is cooked as the heat generated on the outside travels inward. In other words, only the outer edge of any food is actually cooked by microwave energy; the rest is cooked by conduction.

It follows then that the worst possible shape for a food that is to be microwaved is a thick cube. The corners will burn long before the center is even warm. Round, thin, and ring shaped foods cook most successfully in the microwave.

**Quantity of foods:** The number of microwaves in your oven remains constant regardless of how much food is being cooked. Therefore, the more food you place in the oven, the longer the cooking time. Remember to decrease cooking times by at least one-third when halving a recipe.

# Cooking Utensils

---

## CAUTION

To avoid risk of personal injury or property damage, do not use stoneware, aluminum foil, metal utensils, or metal trimmed utensils in the oven.

## MICROWAVE-SAFE UTENSILS

### **Never use metal or metal-trimmed utensils in your microwave oven:**

Microwaves cannot penetrate metal. They will bounce off any metal object in the oven and cause arcing, an alarming phenomenon that resembles lightning. Most heat-resistant non-metallic cooking utensils are safe for use in your microwave oven. However, some may contain materials that render them unsuitable as microwave cookware. If you have any doubts about a particular utensil, there is a simple way to find out if it can be used in your microwave oven.

### **Testing utensils for microwave use:**

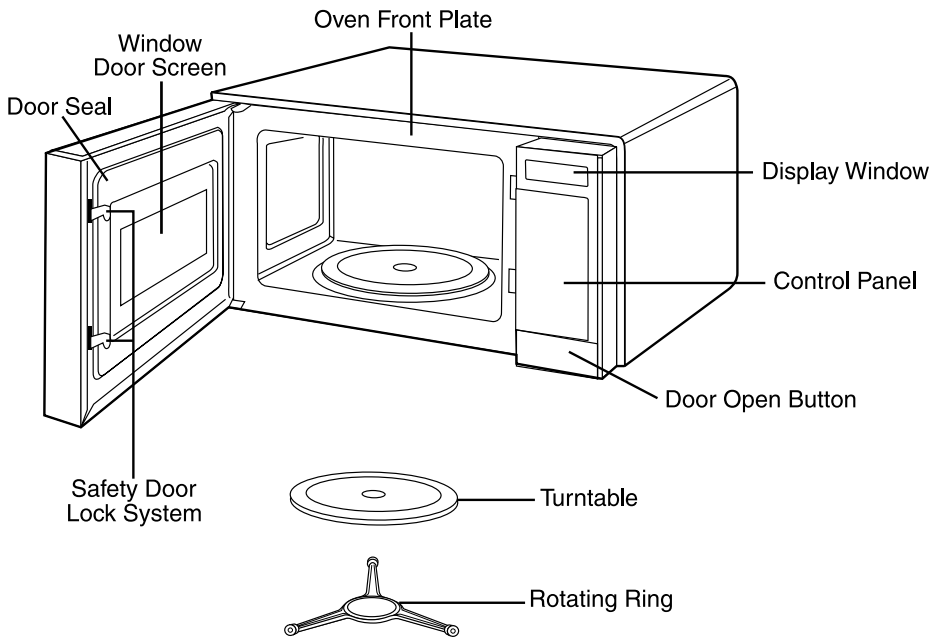
Place the utensil in question next to a glass bowl filled with water in the microwave oven. Microwave at power HIGH for 1 minute. If the water heats up but the utensil remains cool to the touch, the utensil is microwave-safe. However, if the water does not change temperature but the utensil becomes warm, microwaves are being absorbed by the utensil and it is not safe for use in the microwave oven. You probably have many items on hand in your kitchen that can be used as cooking equipment in your microwave oven.

Just read through the following checklist.

1. **Dinner plates:** Many kinds of dinnerware are microwave-safe. If in doubt, consult the manufacturer's literature or perform the microwave test, above.
2. **Glassware:** Glassware that is heat-resistant is microwave-safe. This includes all brands of oventempered glass cookware. However, do not use delicate glassware, such as tumblers or wine glasses, as these might shatter as the food warms.
3. **Paper: Paper plates and containers are convenient and safe to use in your microwave oven, provided the cooking time is short and foods to be cooked are low in fat and moisture.** Paper towels are also very useful for wrapping foods and for lining baking trays in which greasy foods, such as bacon, are cooked. In general, avoid colored paper products as the color may run.
4. **Plastic storage containers:** These can be used to hold foods that are to be quickly reheated. However, they should not be used to hold foods that will need considerable time in the oven as hot foods will eventually warp or melt plastic containers.
5. **Plastic cooking bags:** These are microwave-safe provided they are specially made for cooking. However, **be sure to make a slit in the bag** so that steam can escape. Never use ordinary plastic bags for cooking in your microwave oven, as they will melt and rupture.
6. **Plastic microwave cookware:** A variety of shapes and sizes of microwave cookware is available. For the most part, you can probably cook with items you already have on hand rather than investing in new kitchen equipment.
7. **Pottery, stoneware, and ceramic:** Containers made of these materials are usually fine for use in your microwave oven, but they should be tested to be sure.



# Feature Diagram

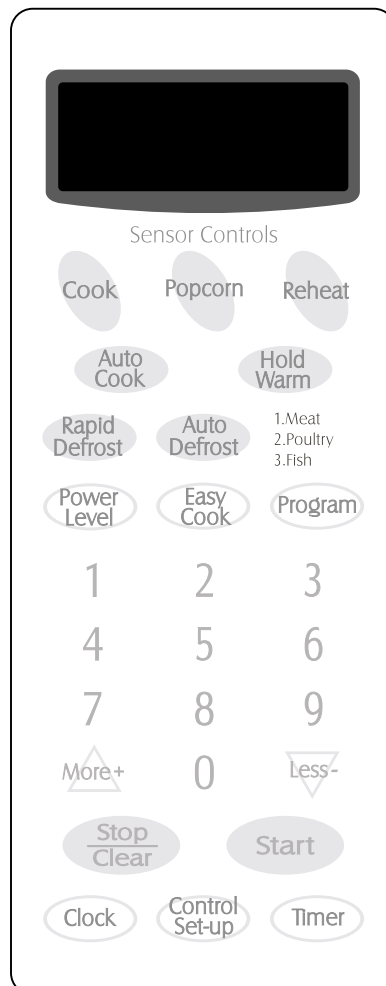


Your oven will be packed with the following materials:

- Glass Turntable .....1 each
- Owner's Manual and Cooking Guide.....1 each
- Rotating Ring.....1 each

This microwave oven is designed for household use only. It is not recommended for commercial purposes and will void the warranty.

## Control Panel



**NOTE:** A beep sounds when a pad on the control panel is touched, to indicate setting has been entered.

# Operating Instructions

## SETTING CLOCK

When your oven is plugged in for the first time or when power resumes after a power interruption, the numbers in the display reset to “:”.

**NOTE:** You can select AM or PM by touching **CLOCK** pad alternately.

### Example: To set 11:11 (PM)

Clock

1. Touch **CLOCK** pad twice. Display scrolls the words **PM ENTER TIME OF DAY** shows in the display.

1 1 1 1

2. Enter the time by using the number key pads. [1], [1], [1], and [1]. Display scrolls the words **11:11P TOUCH START**.

Start

3. Touch **START**. The clock starts counting and **11:11P** shows in the display.

## EASY COOK

A time-saving pad, this simplified control lets you quickly set and start microwave cooking without the need to touch **START**.

**NOTE:** If you touch **EASY COOK**, it will add 30 seconds up to 3 minutes 30 seconds; after 3 minutes will add 1 minute up to 99 minutes 59 seconds.

### Example: To set for 2 minutes

Easy Cook

Touch **EASY COOK** 4 times. The oven begins cooking and display shows time counting down.

## TIME COOK

This function allows you to cook food for a desired amount of time. Because many foods need slower cooking (at less than **HI-POWER**), there are 10 power level settings in addition to **HI-POWER**.

When cooking is complete, beeps will sound. The word **END** shows in the display window. Then the oven shuts itself off.

**NOTE:** If you do not select the power level, the oven will operate at power **HIGH**. To set **HI-POWER** cooking, skip steps 2 and 3 below.

### Example: To cook food on 80% Power (power 8) for 5 minutes 30 seconds

5 3 0

1. Enter 5 minutes 30 seconds by touching **[5]**, **[3]**, and **[0]**. Display scrolls the words **5:30 TOUCH START OR POWER**.

Power Level

2. Touch **POWER LEVEL**. Display scrolls the words **ENTER POWER LEVEL 1 TO 10**.

8

3. Touch **8**.

To select power level 80%. Display scrolls the words **P-80 TOUCH START**.

Start

4. Touch **START**.

## MULTI-STAGE TIME COOK

For Multi-Stage cooking, touch PROGRAM and repeat Time Cook steps 1-3 on previous page before touching the START pad.

Auto Defrost can be programmed before the first stage to defrost first and then cook.

## MICROWAVE POWER LEVELS

Your microwave oven is equipped with eleven power levels to give you maximum flexibility and control over cooking. The table below will give you some idea of which foods are prepared at each of the various power levels.

**Microwave Power Level Chart**

Power Level	Use
10 (HIGH)	<ul style="list-style-type: none"> <li>• Boiling water.</li> <li>• Making candy.</li> <li>• Cooking poultry pieces, fish and vegetables.</li> <li>• Cooking tender cuts of meat.</li> <li>• Whole poultry.</li> </ul>
9	<ul style="list-style-type: none"> <li>• Reheating rice, pasta and vegetables.</li> </ul>
8	<ul style="list-style-type: none"> <li>• Reheating prepared foods quickly.</li> <li>• Reheating sandwiches.</li> </ul>
7	<ul style="list-style-type: none"> <li>• Cooking egg, milk and cheese dishes.</li> <li>• Cooking cakes, breads.</li> <li>• Melting chocolate.</li> </ul>
6	<ul style="list-style-type: none"> <li>• Cooking veal.</li> <li>• Cooking whole fish.</li> <li>• Cooking puddings and custard.</li> </ul>
5	<ul style="list-style-type: none"> <li>• Cooking ham, whole poultry, lamb.</li> <li>• Cooking rib roast, sirloin tip.</li> </ul>
4	<ul style="list-style-type: none"> <li>• Thawing meat, poultry and seafood.</li> </ul>
3	<ul style="list-style-type: none"> <li>• Cooking less tender cuts of meat.</li> <li>• Cooking pork chops, roast.</li> </ul>
2	<ul style="list-style-type: none"> <li>• Taking chill out of fruit.</li> <li>• Softening butter.</li> </ul>
1	<ul style="list-style-type: none"> <li>• Keeping casseroles and main dishes warm.</li> <li>• Softening butter and cream cheese.</li> </ul>
0	<ul style="list-style-type: none"> <li>• Standing time.</li> <li>• Independent timer.</li> </ul>

## CHILD LOCK

This safety feature prevents unwanted oven operation. Once the child lock is set, no cooking can take place. The Child Lock feature is also useful when cleaning the control panel. Child Lock prevents accidental programming when wiping the control panel.

If the CHILD LOCK is set and you touch another cooking pad, the word **LOCKED** shows in the display. Cancel the child lock according to the procedure below.

### To set the child lock:



1. Touch **STOP/CLEAR**.
2. Touch and hold **0** pad until the word **LOCKED** appears in the display and two beeps are heard.

### To cancel the child lock:



- Touch and hold **0** pad until the word **LOCKED** disappears in the display.

After the CHILD LOCK is turned off, the time of day will return to the display window. The oven will operate normally.

## TIMER

You can use the Timer of your oven for purposes other than food cooking.



1. Touch **TIMER** pad. Display scrolls the words **ENTER TIME IN MIN AND SEC**
2. Touch **3, 0, 0**. Display scrolls the words **3:00 TOUCH START**.
3. Touch **START** pad.

# Operating Instructions (cont'd)

---

## CONTROL SET-UP

CONTROL SET-UP allows you to set the oven for your preferences.

You can select **SOUND ON/OFF**, **CLOCK ON/OFF**, **SCROLL SPEED** and **LBS/KG**.

**Example 1: To turn off Sound of beeper.**

Control Set-up

1

1. Touch **CONTROL SET-UP**. Four modes show in the display repeatedly.

2

2. Touch **1**. Display scrolls the words **SOUND ON TOUCH 1 OFF TOUCH 2**.

3. Touch **2**. Display scrolls the words **SOUND OFF**. The current time will be displayed.

**NOTE:** To turn beep sound back on, repeat steps 1 - 2 then touch number 1.

**Example 2: To select kg unit.**

Control Set-up

4

1. Touch **CONTROL SET-UP**.  
Four modes show in the display continuously.

2

2. Touch **4**.  
Display scrolls the words **LBS TOUCH 1 KG TOUCH 2**.

3. Touch **2**.  
Display scrolls the words **KG**. The current time will be displayed.

**NOTE:** To select LBS., repeat steps 1-2 then, touch number 1.

## CONTROL SET-UP FUNCTION CHART

NO	FUNCTION	CHOICE	REMARKS
1	SOUND ON / OFF	Sound On or Sound Off	All of the key sound and End of Cook sound on or off.
2	CLOCK ON / OFF	Clock On or Clock Off	When clock is off nothing displays when oven is not in use.
3	SCROLL SPEED	Slow, Normal, or Fast	Controls speed of message that scrolls across display.
4	LBS. / KG	Lbs. or Kg	Set control to LBS. or KG for Auto Cook and Auto defrost features.

**NOTE:** When the power cord is first plugged in, the default settings are Sound ON, Clock ON, Normal Speed and LBS.

## MORE/LESS

By using the MORE or LESS keys, all of the **AUTO COOK**, **TIME COOK**, **EASY COOK**, **SENSOR COOK** programs can be adjusted to cook food for a longer or shorter time. Pressing MORE will add 10 seconds to the cooking time each time you press it. Pressing LESS will subtract 10 seconds of cooking time each time you press it. You must wait until heating begins to count down before adding or subtracting time.

**Example: To adjust the AUTO COOK (ex. beverage 2 cups) cooking time for a longer time, or for a shorter time**

Auto Cook

1. Touch **AUTO COOK**.  
Display scrolls the words **SELECT MENU 1 TO 6 -- SEE COOKING GUIDE BEHIND DOOR**.
  2. Touch **4**.  
Display scrolls the words **BEVERAGE TOUCH 1 TO 2 CUPS**.
  3. Touch **2**.
- NOTE:**  
Press the MORE or LESS pad during time countdown.

4

2

## SENSOR COOK OPERATION INSTRUCTION

For most Sensor Cook programs, a chart with specific food examples and cooking instructions is provided on the next pages. The Sensor Cook system works by detecting a build-up of vapor.

### Hints

1. Make sure the door remains closed.
2. Once the vapor is detected, two beeps will sound.
3. Opening the door or touching the STOP/CLEAR pad before the vapor is detected will abort the process. The oven will stop.
4. Before using Sensor Cook, make sure the exterior of the cooking container and the interior of the oven are dry, to assure the best results.
5. Room temperature should not exceed 95° F.
6. Oven should be plugged in at least 5 minutes before Sensor Cooking.

**Categories:** Sensor Popcorn  
Sensor Cook  
Sensor Reheat

## SENSOR COOK

SENSOR COOK allows you to cook most of your favorite foods without having to select cooking times and power levels. This oven automatically determines the cooking time for each food item. This feature has 6 food categories.

**Example: To cook FROZEN ENTREE**

Cook

4

1. Touch **COOK**.  
Display scrolls the words **SELECT MENU 1 TO 6 -- SEE COOKING GUIDE BEHIND DOOR**.
2. Touch **4**.  
The oven will cook food automatically by sensor system.

# Operating Instructions (cont'd)

---

## SENSOR COOK CHART

Code	Category	Direction	Amount
1	Potato	Pierce each potato with a fork and place on the oven tray around the edge, at least one inch apart.	1 - 4 medium approx. 10 ozs. each
2	Fresh Vegetables	Prepare as desired, wash, and leave residual water on the vegetables. Place in an appropriately-sized microwave container, cover with plastic wrap and vent.	1 - 4 cups
3	Frozen Vegetable	Remove from package, rinse off frost under running water. Place in an appropriately-sized microwave container, cover with plastic wrap and vent.	1 - 4 cups
4	Frozen Entree	Remove from outer display package. Slit cover. If not in microwave safe container, place on plate, cover with plastic wrap and vent.	10 - 21 ozs.
5	Rice	Place rice and twice as much liquid (water or chicken or vegetable stock) in a 2-quart microwavable dish. Cover with plastic wrap. When cooking is complete, allow 10 minutes standing time. Stir for fluffier rice.	1 - 2 cups Use medium or long grain rice. Cook instant rice according to directions on the package.
6	Fish, Seafood	Place the food around the sides of an appropriate microwave container. Season and add ¼-½ cup liquid (wine, water, salsa, etc.) Cover with plastic wrap, vented.	4 - 32 ozs.

If you open the door or press STOP/CLEAR during sensing, the process will be canceled.

## SENSOR POPCORN

SENSOR POPCORN lets you pop commercially packaged microwave popcorn (1.75-3.5 ozs.). For best results, use a fresh bag of popcorn.

**Place only one bag of prepackaged microwave popcorn on the center of turntable.**

**Example: To pop 3.5 ozs.**



Touch **POPCORN**. Display scrolls the word **POPCORN**. Then the oven will cook food automatically by sensor system.

### NOTE:

- Do not attempt to reheat or cook any unpopped kernels.
- Do not use popcorn popping devices in microwave oven with this feature.

## SENSOR REHEAT

This feature allows you to reheat pre-cooked room temperature or refrigerated foods without selecting cooking times and power levels. This feature has 3 categories: dinner plate, soup/sauce, casserole.

**Example: To reheat casserole**



1. Touch **REHEAT** pad. Display scrolls the words **SELECT MENU 1 TO 3 -- SEE COOKING GUIDE BEHIND DOOR**.

3

2. Touch number **3**. Then the oven will reheat food automatically by sensor system.

## SENSOR REHEAT CHART

Code	Category	Direction	Amount
1	Dinner plate	Place foods to be heated on dinner plate or similar dish. Cover with plastic wrap.	1-2 servings
2	Soup/ Sauce	Place food to be heated in an appropriate size microwave container. Cover with plastic wrap.	1-4 cups
3	Casserole	Cover dish containing the casserole with plastic wrap.	1-4 cups

## HOLD WARM

You can safely keep hot, cooked food warm in your microwave oven for up to 99 minutes, 99 seconds. You can use HOLD WARM by itself, or to automatically follow a cooking cycle.

**Example: To hold warm hot or cooked food**



1. Touch **HOLD WARM**. Display scrolls the words **HOLD WARM TOUCH START**.



2. Touch **START**. The word **WARM** will come on while the oven continue to run.

### NOTE:

- HOLD WARM operates for up to 99 minutes, 99 seconds.
- Opening the oven door cancels HOLD WARM. Close the door and touch HOLD WARM, then touch START if additional HOLD WARM time is desired.
- Food cooked should be covered during HOLD WARM.
- Pastry items (pies, turnovers, etc.) should be uncovered during HOLD WARM.
- Complete meals kept warm on a dinner plate should be covered during HOLD WARM.
- Do not use more than 1 complete HOLD WARM cycle (about 1 hour, 40 minutes). The quality of some foods will suffer with extended time.

# Operating Instructions (cont'd)

## AUTO COOK

This feature allows you to cook foods that you select by touching AUTO COOK pad. It has 6 foods categories.

**Example: To cook four slices of bacon**



1. Touch **AUTO COOK**. Display scrolls the words **SELECT MENU 1 TO 6 -- SEE COOKING GUIDE BEHIND DOOR**.
- 1  
2. Touch number **1**.  
Display scrolls the words **BACON TOUCH 2 TO 6 SLICES**.
- 4  
3. Touch number **4**.  
The oven will start automatically.

## AUTO COOK CHART

- First, touch AUTO COOK pad, then select food and amount.

Code	Category	Direction	Amount
1	Bacon	Place bacon strips on microwave bacon rack for best results. (Use dinner plate lined with paper towels.)	2-6 slices
2	Frozen Roll/Muffin	Remove from display package and place on plate. (If muffins are over 3 ozs. each, count as two when entering quantity.)	1-6 pieces (2-3 ozs. each)
3	Fresh Roll/Muffin	Remove from display package and place on plate. (If muffins are over 3 ozs. each, count as two when entering quantity.)	1-6 pieces (2-3 ozs. each)
4	Beverage	Remove from display package and place on plate. (Be careful the beverage will be very hot! Sometimes liquids heated in cylindrical containers will splash out when the cup is moved.)	1-2 cups
5	Chicken Pieces	Place the chicken pieces in an appropriately sized microwavable container, cover with plastic wrap and vent.	0.5 - 2.0 lbs.
6	Hot Cereal	Prepare as directed on package and cook. Stir and allow standing time before eating. Use only instant hot cereal.	1-6 servings



## AUTO DEFROST

Three defrost sequences are preset in the oven. The defrost feature provides you with the best defrosting method for frozen foods. The cooking guide will show you which defrost sequence is recommended for the food you are defrosting.

With the Auto Defrost feature, the oven automatically sets the defrosting time and power levels for you.

The oven automatically determines required defrosting times for each food item according to the weight you enter.

For added convenience, the Auto Defrost includes a built-in beep mechanism that reminds you to check, turn over, separate, or rearrange. Three different defrosting levels are provided.

### 1 MEAT

### 2 POULTRY

### 3 FISH

- You can select the category by touching the numeric key 1 (MEAT), numeric key 2 (POULTRY), and numeric key 3 (FISH) after touching the AUTO DEFROST pad.
- Available weight is 0.1-6.0 lbs. (0.1-4.0 kgs).

**Example: To defrost 1.2 lbs. of ground beef**

Auto Defrost

- Touch AUTO DEFROST. Display scrolls the words **MEAT TOUCH 1 POULTRY TOUCH 2 FISH TOUCH 3.**

1

- Touch 1. Display scrolls the words **ENTER WEIGHT.**

1 2

Start

- Enter the weight by touching 1 and 2. Display scrolls the words **1.2 LBS. TOUCH START.**
- Touch **START.** Defrosting starts.

### NOTE:

When you touch the START pad, the display changes to defrost time count down. The oven will beep during the DEFROST cycle. At beep, open the door and turn, separate, or rearrange the food. Remove any portions that have thawed. Return frozen portions to the oven and touch START to resume the defrost cycle.

- For best results, remove fish, shellfish, meat, and poultry from its original closed paper or plastic package (wrapper). Otherwise, the wrap will hold steam and juice close to the foods, which can cause the outer surface of the foods to cook.
- For best results, shape your ground meat into the form of a doughnut before freezing. When defrosting, scrape off thawed meat when the beep sounds and continue defrosting.
- Place foods in a shallow container or on a microwave roasting rack to catch drippings.
- Food should still be somewhat icy in the center when removed from the oven.

## AUTO DEFROST SEQUENCE LIST

Sequence	Food
<b>1 MEAT</b>	<b>BEEF</b> Ground beef, Round steak, Cubes for stew, Tenderloin steak, Pot roast, Rib roast, Rump roast, Chuck roast, Hamburger patty. <b>LAMB</b> Chops (1 inch thick), Rolled roast <b>PORK</b> Chops (½ inch thick), Hot dogs, Spareribs, Country-style ribs. Rolled roast, Sausage. <b>VEAL</b> Cutlets (1 lb. ½ inch thick)
<b>2 POULTRY</b>	<b>POULTRY</b> Whole (under 4 lbs.), Cut-up, Breasts (boneless) <b>CORNISH HENS</b> Whole <b>TURKEY</b> Breast
<b>3 FISH</b>	<b>FISH</b> Fillets, Whole steaks <b>SHELLFISH</b> Crab meat, Lobster tails, Shrimp, Scallops

## RAPID DEFROST

This feature provides a quick defrost for 1 lb. frozen ground beef.

**Example: To defrost 1 lb. of frozen ground beef**

Rapid Defrost

- Touch **RAPID DEFROST.** The oven begins the cooking without the need to touch START.

# Fresh Vegetable Chart

Vegetable	Amount	Cook time at HIGH (minutes)	Instructions	Standing Time
Artichokes (8 ozs. each)	2 medium 4 medium	5-8 10-12	Trim. Add 2 tsp. water and 2 tsp. lemon juice. Cover. Cook stem end up.	2-3 minutes
Asparagus, Fresh, spears	1 lb.	3-7	Wash and turn half of spears around. Add ½ cup water. Cover.	2-3 minutes
Beans, green and wax	1 lb.	5-7	Add ½ cup water in 1½ qt. casserole. Stir halfway through cooking.	2-3 minutes
Beets, Fresh	1 lb.	7-10	Add ½ cup water in 1½ qt. covered casserole. Rearrange halfway through cooking.	2-3 minutes
Broccoli, Fresh, spears	1 lb.	4-6	Place broccoli in baking dish. Add ½ cup water.	2-3 minutes
Cabbage, Fresh, chopped	1 lb.	4-6	Add ½ cup water in 1½ qt. covered casserole. Stir halfway through cooking.	2-3 minutes
Carrots, Fresh, sliced	2 cups	3-4	Add ¼ cup water in 1 qt. covered casserole. Stir halfway through cooking.	2-3 minutes
Cauliflower, Fresh, whole	1 lb.	4-6	Trim. Add ¼ cup water in 1 qt. covered casserole. Stir halfway through cooking.	2-3 minutes
Celery, Fresh, sliced	2 cups 4 cups	3-4 5-7	Slice. Add ½ cup water in 1½ qt. covered casserole.	2-3 minutes
Corn, Fresh	2 ears	4-6	Husk. Add 2 tsp water in 1½ qt. baking dish. Cover.	2-3 minutes
Mushrooms, Fresh, sliced	½ lb.	2-3	Place mushrooms in 1½ qt. covered casserole.	2-3 minutes
Parsnips, Fresh, sliced	1 lb.	4-6	Add ½ cup water in 1½ qt. covered casserole.	2-3 minutes
Peas, Green, Fresh	4 cups	5-7	Add ½ cup water in 1½ qt. covered casserole. Stir halfway through cooking.	2-3 minutes
Sweet Potatoes Whole Baking (6-8 ozs. each)	2 medium 4 medium	6-8 14-16	Pierce potatoes several times with fork.	2-3 minutes 2-3 minutes
White potatoes, Whole Baking (6-8 ozs. each)	2 potatoes 4 potatoes	6-8 15-18	Pierce potatoes several times with fork.	2-3 minutes 2-3 minutes
Spinach, Fresh, leaf	1 lb.	3-6	Add ½ cup water in 2 qt. covered casserole.	2-3 minutes
Squash, Acorn or butternut, Fresh	1 medium	6-8	Cut squash in half. Remove seeds. Place in 8x8-inch baking dish. Cover.	2-3 minutes
Zucchini, Fresh, sliced	1 lb.	5-8	Add ½ cup water in 1½ qt. covered casserole.	2-3 minutes
Zucchini, Fresh, whole	1 lb.	7-8	Pierce. Place on 2 paper towels. Turn zucchini over and rearrange halfway through cooking.	2-3 minutes

# Using Sensor Cook

## VEGETABLES

### **Vegetable Medley, serves 4 as a side dish or 2 as a meal**

2 large carrots, cut into 1 inch pieces  
1 large baking potato, diced  
1 medium red onion, thinly sliced  
4 cloves of garlic, peeled  
2 stalks celery, cut into 1 inch pieces  
2 tablespoons olive oil  
salt and pepper to taste

Place everything in a 2 quart microwave dish, cover and cook with **sensor** or microwave on high power for about 10 minutes or until the carrots are tender.

### **Stewed Peppers, serves 4**

1 large red bell pepper, cored and cut into 1 inch strips  
1 large green bell pepper, cored and cut into 1 inch strips  
1 medium red onion, thinly sliced  
2 cloves garlic, smashed  
1 cup prepared salsa  
2 tablespoons olive oil  
salt and pepper to taste

Place everything in a 2 quart microwave dish, cover and cook with **sensor** or microwave on high power for about 12 minutes or until the peppers are very soft.

## RICE

### **Spanish Rice, serves 4**

½ lb. lean ground beef or smoked sausage  
1 medium green bell pepper, cored and chopped  
1 small yellow onion, chopped  
1 cup instant rice  
1 can (14 ozs.) stewed tomatoes  
1 teaspoon chili powder

Place the meat, pepper, onion in a 2 quart microwave dish and microwave 2 minutes on high power. Drain off the fat. Stir in the other ingredients, cover and cook on **sensor**.

## FISH, SEAFOOD

### **Poached Salmon, serves 4**

½ cup dry white wine  
½ cup bottled clam juice  
4 sprigs fresh dill weed or 1 tablespoon dried dill weed  
6 pepper corns  
4 small salmon steaks, about 4 ozs. each lemon slices

In a shallow 2 quart microwave dish place the first 5 ingredients, cover and microwave on high power 3 minutes. Add the salmon, recover and cook on **sensor** or microwave on high power for 3-4 minutes or until cooked and the internal temperature is about 160° F.

### **Peel and Eat Shrimp, serves 2**

½ cup dry white wine  
2 cloves garlic, minced  
2 tablespoons lemon juice  
4 tablespoons butter  
1 lb. large shrimp in shells

Place everything in a 2 quart microwave dish. Push to the edge of the dish, cover and cook on **sensor** or microwave on high power for about 5 minutes, stirring once or until the shrimp are pink. Peel the shrimp and serve with juices.

### **Rolled Fish Filets, serves 4**

4 fish filets, sole, flounder, catfish or roughly about 4 ozs. each

lemon pepper  
2 tablespoons lemon juice

Season the fish with lemon pepper and roll up and secure with a wooden pick. Place in a glass pie plate and sprinkle with lemon juice. Cover with plastic wrap and cook on **sensor** or microwave on medium power for about 5 minutes or until the fish is opaque and flakes easily. Mix the juices with ¼ cup Italian salad dressing and pour over the fish.

### **Fish Filets Parmesan, serves 4**

4 fish filets (about 4 ozs. each) folded over  
1 cup prepared spaghetti sauce  
½ cup Parmesan cheese, grated

Place the sauce in a 2 quart microwave dish and lay the fish over with the thicker part toward the side of the dish. Sprinkle with cheese. Cover and cook on **sensor**.

### **Trout Almandine, serves 2**

2 whole trout, about 8 ozs. each  
2 tablespoons slivered almonds  
2 tablespoons lemon juice  
4 slices bacon, crisp cooked and crumbled  
4 tablespoons chopped parsley

Place the fish along side each other head to tail in a 10 inch glass pie plate. Add the lemon juice and butter, and cover with plastic wrap and cook on **sensor** or microwave on medium power for about 6 minutes or until the fish is done. Place on a serving platter and pour cooking juices over the fish and sprinkle with nuts, bacon and parsley.

# Care and Cleaning

## CAUTION

To avoid risk of property damage, unplug the microwave oven or disconnect power at source by removing fuse or throwing circuit breaker.

Before cleaning the oven, unplug the power supply cord of the oven or open the oven door to prevent an accidental oven start.

Part	Description
<b>Inside of the Oven</b>	<p>Use a damp cloth to wipe out crumbs and spills.</p> <p>It is important to keep the area between door and cavity front clean to assure a tight seal.</p> <p>Remove greasy spatters with a sudsy cloth, then rinse and dry.</p> <p>Do not use harsh detergent or abrasive cleaners.</p>
<b>Glass Tray</b>	The glass tray can be washed by hand or in the dishwasher.
<b>Control Panel</b>	<p>Wipe with a damp cloth followed immediately by a dry cloth.</p> <p>The Child Lock feature is also useful when cleaning the control panel.</p> <p>Child Lock prevents accidental programming when wiping the control panel.</p>
<b>Door</b>	<p>If steam accumulates inside or around the outside of the oven door, wipe the panel with a soft cloth.</p> <p>This may occur when the microwave oven is operated under high humidity conditions and in no way indicates a malfunction of the unit.</p>
<b>Outside Oven Surface</b>	<p>Wipe with a soft cloth and a mild detergent solution. Rinse and dry. Do not use harsh detergent or abrasive cleaners.</p> <p>To prevent damage to the operating parts inside the oven, water should not be allowed to seep into the ventilation openings.</p> <p><b>Stainless Steel</b>  <b>DO NOT USE ANY CLEANING PRODUCT CONTAINING CHLORINE BLEACH.</b>  <b>ALWAYS WIPE WITH THE GRAIN WHEN CLEANING.</b></p> <p><b>Daily Cleaning/Light Soil</b> - Wipe with one of the following - soapy water, white vinegar/water solution, Formula 409 Glass and Surface Cleaner* or a similar glass cleaner - using a sponge or soft cloth. Rinse and dry. To polish and help prevent fingerprints, follow with Stainless Steel Magic Spray.*</p> <p><b>Moderate/Heavy Soil</b>- Wipe with one of the following - Bon Ami, Baking Soda or Soft Scrub* - using a damp sponge or soft cloth. Rinse and dry. Stubborn soils may be removed with a damp Scotch-Brite* pad; rub evenly with the grain. Rinse and dry. To restore luster and remove streaks, follow with Stainless Steel Magic Spray.</p> <p><b>Discoloration</b> - Using a damp sponge or soft cloth, wipe with Cameo Stainless Steel Cleaner*. Rinse immediately and dry. To remove streaks and restore luster, follow with Stainless Steel Magic Spray.</p>

After cleaning the oven, be sure the rotating ring and glass tray are in the correct position. Press the STOP/CLEAR pad twice to reset any accidental key setting.

*\*Brand names for cleaning products are registered trademarks of the respective manufacturers.*

# Troubleshooting

## WARNING

To avoid risk of severe personal injury, electrical shock or death, do not remove outer case at any time. Only an authorized servicer should remove outer case.

## BEFORE CALLING FOR SERVICE

Check the following list to be sure a service call is necessary. A quick reference of this manual as well as reviewing additional information on items to check may prevent an unneeded service call.

Problem	Possible Causes
Oven will not start	<ul style="list-style-type: none"><li>• Electrical cord for oven is not plugged in.<ul style="list-style-type: none"><li>-Plug into the outlet.</li></ul></li><li>• Door is open.<ul style="list-style-type: none"><li>-Close the door, open, and try again.</li></ul></li><li>• Wrong operation is set.<ul style="list-style-type: none"><li>-Check operation instructions.</li></ul></li></ul>
Arcing or sparking	<ul style="list-style-type: none"><li>• Materials to be avoided in microwave oven are used.<ul style="list-style-type: none"><li>-Use microwave-safe cookware only.</li></ul></li><li>• The oven is operated when empty.<ul style="list-style-type: none"><li>-Do not operate with oven empty.</li></ul></li><li>• Food soils remain in the cavity.<ul style="list-style-type: none"><li>-Clean cavity with wet towel.</li></ul></li></ul>
Uneven cooking or poor defrosting	<ul style="list-style-type: none"><li>• Materials to be avoided in microwave oven are used.<ul style="list-style-type: none"><li>-Use microwave-safe cookware only.</li></ul></li><li>• Cooking time/Cooking power level is not suitable.<ul style="list-style-type: none"><li>-Use correct time/Cooking power level.</li></ul></li><li>• Food is not turned or stirred.<ul style="list-style-type: none"><li>-Turn or stir food.</li></ul></li></ul>
Overcooked foods	<ul style="list-style-type: none"><li>• Cooking time/Cooking power level is not suitable.<ul style="list-style-type: none"><li>-Use correct time/cooking power level when you cook the same food.</li></ul></li></ul>
Undercooked foods	<ul style="list-style-type: none"><li>• Materials to be avoided in microwave oven are used.<ul style="list-style-type: none"><li>-Use microwave-safe cookware only.</li></ul></li><li>• Food is not defrosted completely.<ul style="list-style-type: none"><li>-Completely defrost food.</li></ul></li><li>• Oven ventilation ports are restricted.<ul style="list-style-type: none"><li>-Check to see that oven ventilation ports are not restricted.</li></ul></li><li>• Cooking time/Cooking power level is not suitable.<ul style="list-style-type: none"><li>-Use correct time/Cooking power level when you cook the same food.</li></ul></li></ul>

## ALL THESE THINGS ARE NORMAL

- Dull thumping sound during oven operation.
- Steam or vapor escaping from around the door.
- Light reflection around door or outer wrapper.
- Dimming oven light and change in blower sound during oven operation at power levels other than high.
- Some radio and TV interference might occur during operations. It is similar to the interference caused by other small appliances such as mixers, blow dryer, etc.

# Notes

---



# Warranty

## Full Two Year Warranty

For two (2) years from the date of original retail purchase, any part which fails in normal home use will be repaired or replaced free of charge when carried into an authorized servicer.

### Limited Parts Warranty

After the second year from the date of original retail purchase through the fifth year, the following parts which fail in normal home use will be repaired or replaced free of charge for the part itself when carried into an authorized servicer, with the owner paying all other costs, including labor, when the appliance is located in the United States or Canada: (1) touch pad and microprocessor, (2) Magnetron tube.

### Limited Parts Warranty Outside the United States and Canada

For one (1) year from the date of original retail purchase, any part which fails in normal home use will be repaired or replaced free of charge for the part itself when carried into an authorized servicer, with the owner paying all other costs, including labor, when the appliance is located outside the United States or Canada.

### Canadian Residents

This warranty covers only those appliances installed in Canada that have been listed with Canadian Standards Association unless the appliances are brought into Canada due to transfer or residence from the United States to Canada.

## What is not covered by these warranties

- Replacement of household fuses, resetting of circuit breakers, or correction to household wiring or plumbing.
- Normal product maintenance and cleaning, including light bulbs.
- Products with original serial numbers removed, altered, or not readily determined.
- Products purchased for commercial, industrial, rental, or leased use.
- Products located outside of the United States or Canada.
- Premium service charges, if the servicer is requested to perform service in addition to normal service or outside normal service hours or area.
- Adjustments after the first year.
- Repairs resulting from the following:
  - Improper installation, exhaust system, or maintenance.
  - Any modification, alteration, or adjustment not authorized by Maytag.
  - Accident, misuse, abuse, fire, flood, or acts of nature.
  - Connections to improper electrical current, voltage supply, or gas supply.
  - Use of improper pans, containers, or accessories that cause damage to the product.
- Travel.

## If you need service

- Call the dealer from whom your appliance was purchased or call Maytag Appliances Sales Company, Maytag Customer Assistance at 1-800-688-9900, USA and 1-800-688-2002 Canada to locate an authorized servicer.
- Be sure to retain proof of purchase to verify warranty status. Refer to WARRANTY for further information on owner's responsibilities for warranty service.
- If the dealer or service company cannot resolve the problem, write to Maytag Appliances Sales Company, Attn: CAIR® Center, P.O. Box 2370, Cleveland, TN 37320-2370, or call **1-800-688-9900** USA and **1-800-688-2002** Canada.

U.S. customers using TTY for deaf, hearing impaired or speech impaired, call 1-800-688-2080.

**NOTE:** When writing or calling about a service problem, please include the following information:

- a. Your name, address and telephone number;
- b. Model number and serial number;
- c. Name and address of your dealer or servicer;
- d. A clear description of the problem you are having;
- e. Proof of purchase (sales receipt).

- User's guides, service manuals and parts information are available from Maytag Appliances Sales Company, Maytag Customer Assistance.

### IN NO EVENT SHALL MAYTAG BE LIABLE FOR INCIDENTAL OR CONSEQUENTIAL DAMAGES.

This warranty gives you specific legal rights, and you may have others which vary from state to state. For example, some states do not allow the exclusion or limitation of incidental or consequential damages, so this exclusion may not apply to you.