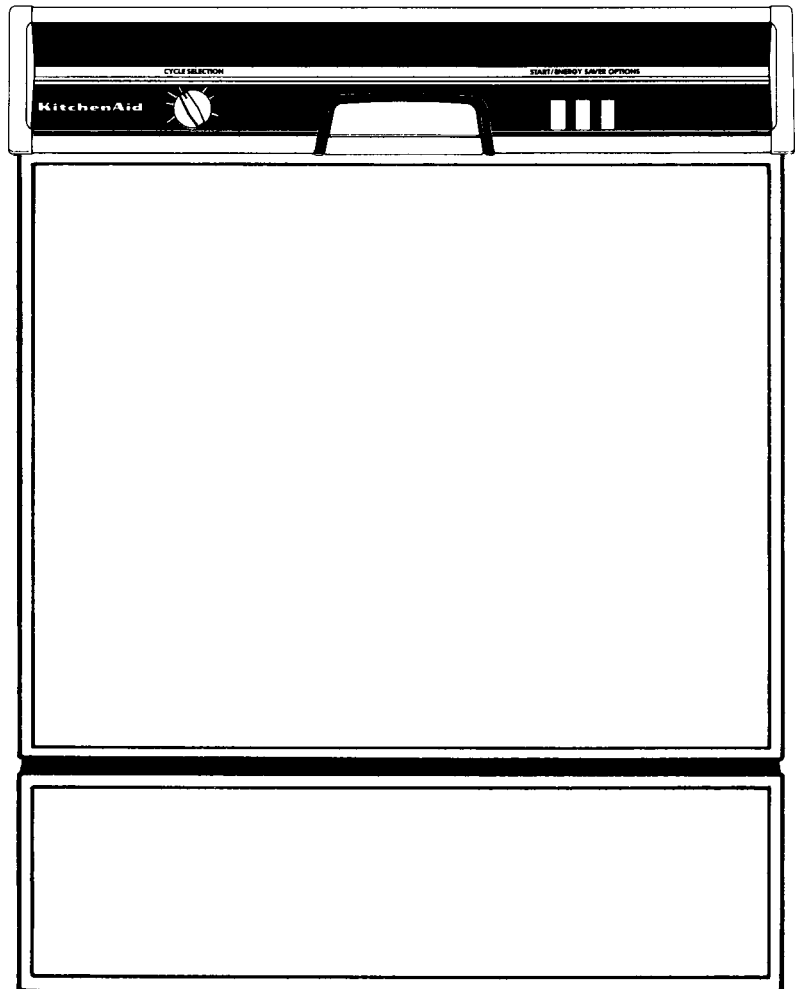


KitchenAid*

Built-In Dishwasher

Model 4KUDC220T



USE and CARE GUIDE

Table of Contents

Important Safety Instructions	3
Ownership Registration Card	4
Important Facts	4
Dishwasher Features	5
Operating Your Dishwasher	6
Sounds You May Hear	6
Automatic Water Heating	6
Energy Saving Tips.	6
Special Tips On Dishwasher Use	7
Dishwasher Cycles	8
To Cancel A Cycle.	9
Adding Dishware During A Cycle	9
Loading Your Dishwasher	10
Upper Rack.	10
Lower Rack	11
Silverware Basket.	12
Filling The Detergent Dispenser	13
How Much Detergent To Use	13
Rinse Agents	14
Caring For Your Dishwasher	14
Seasonal Storage	15
Drain Air Gap	15
Sure-Scrub* Wash System	16-17
Problem, Cause, Solution Chart	18-19
Removing Spots And Film	19
Changing Front Panels	20-22
Optional Front Panels	22
If You Need Service Or Assistance.	23
Warranty	24

It is your responsibility to be sure your dishwasher:

- Is installed by a qualified installer.
- Has been installed where it is protected from the elements.
- Has been installed on a floor strong enough to support its weight.
- Has been properly connected to electricity, water and drain.**
- Has been properly electrically grounded.**
- Has had all hang tags and temporary labels removed.
- Is not used by children or anyone unable to operate it properly.
- Is properly maintained.

***See Installation Instructions for complete information.*

Important Safety Instructions

To reduce the risk of fire, electrical shock, or injury when using your dishwasher, follow basic precautions including the following:

1. Read all instructions before using the dishwasher.
2. This dishwasher must be properly connected to electricity and water.
3. Use the dishwasher only for its intended function.
4. Use only detergents and rinse agents recommended for use in a dishwasher, and keep them out of the reach of children.
5. When loading items to be washed:
 - a. Locate sharp items so that they are not likely to damage the door seal.
 - b. Load sharp knives with the handles up to reduce risk of cut-type injuries.
6. **DO NOT** wash plastic items unless marked "dishwasher safe" or the equivalent. For plastic items not so marked, check the manufacturers' recommendations.
7. **DO NOT** touch the heating element during or immediately after use. Element must cool at least 20 minutes to avoid injury.
8. **DO NOT** operate your dishwasher unless all enclosure panels are properly in place.
9. **DO NOT** abuse, sit on or stand on the door or dish rack of the dishwasher.
10. To reduce the risk of injury, do not allow children to play in or on a dishwasher.
11. If hot water has not been used recently (usually two weeks or longer), hydrogen gases may build up in the water heater and the hot water pipes. **HYDROGEN GAS IS EXPLOSIVE.** To prevent injury or damage, before using your dishwasher, turn on all hot water faucets and allow water to run for several minutes. This will allow gases to escape. Do not smoke or use any open flame near the faucet while it is open.
12. When discarding an old dishwasher, always remove the door to prevent accidental entrapment.
13. Install the dishwasher on a floor that is level and strong enough to support the weight.
14. To prevent electrical shock, disconnect electrical power supply to dishwasher before attempting to service.

SAVE THESE INSTRUCTIONS

Ownership Registration

Before you use your dishwasher, please fill out and mail your ownership registration card packed with the Use and Care Guide. This card will enable us to contact you in the unlikely event of a product safety notification. Return of this card is not necessary to validate your warranty.

Keep a copy of the bill of sale showing the date of purchase and/or date of installation of your dishwasher. **PROOF OF PURCHASE WILL ENSURE YOU OF IN-WARRANTY SERVICE.**

Write down the following information. You will need it if your dishwasher ever requires service.

Model Number † _____

Serial Number † _____

Date Purchased _____

Date Installed _____

Dealer's Name _____

Address _____

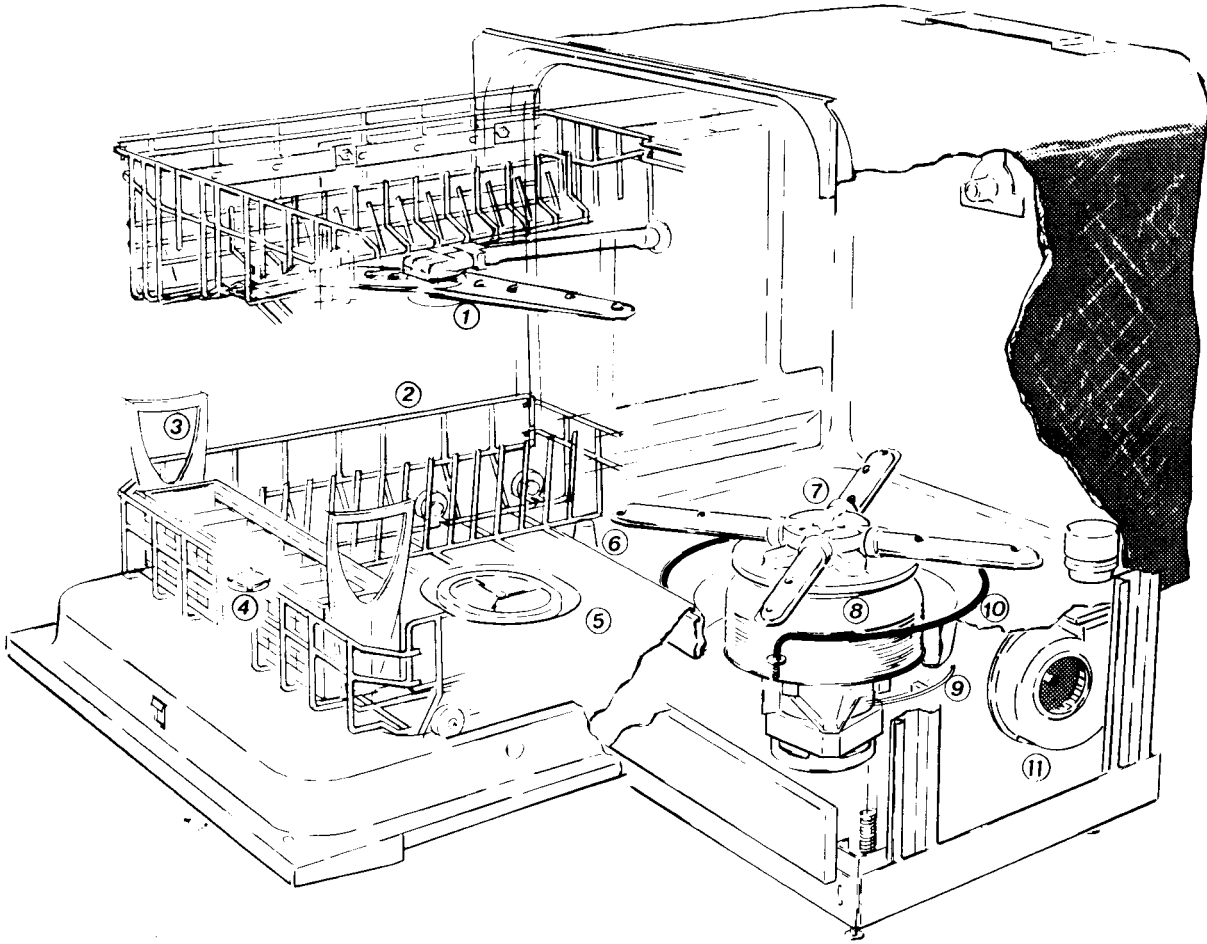
Phone _____

†Model and Serial Numbers are located on a label at the left side of the door opening.

Important Facts

- KitchenAid dishwashers operate on 115 volts, 60 hertz A.C. house current. They cannot be converted to operate on 220 volts, 50 or 60 hertz house current.
- To protect against possible rupture of fill valve, BE SURE water lines leading to the dishwasher as well as water lines in the dishwasher are protected against freezing. Such ruptures are *not* covered by the warranty. See page 15.
- To prevent accidental entrapment, remove the door when removing an old dishwasher from service or discarding it.

Dishwasher Features



1. Upper Level Power Wash
2. Lower Rack
3. Cutlery/Silverware Basket
4. Automatic Rinse Agent Dispenser
5. Detergent Dispenser
6. Overflow Protection Float

7. 4-Way Hydro Sweep
(with Jet Spray)
8. Self-Cleaning Filter
9. Removable Coarse Strainer
10. Heating Element
11. Flo-Thru* Drying Fan

Operating Your Dishwasher

Step 1 Load dishes into racks according to instructions on pages 10-12.

Do not operate dishwasher without racks in place. Water leakage and flooding may result.

Step 2 Add detergent to detergent dispenser. See page 13.

Step 3 Firmly close the door and latch it by pushing the door handle down.

Step 4 Advance Cycle Selection Dial slowly to corresponding cycle. See page 8 for description of cycles.

Step 5 Push Start button.

Sounds You May Hear While Your Dishwasher is Running:

- the fill valve opening or closing and the sound of water entering the dishwasher
- water being pumped out during drain portion of cycle
- detergent cup opening
- timer clicking as it advances
- pump motor starting
- items being ground up in the hard food disposer

Automatic Water Heating

Your KitchenAid dishwasher offers automatic water heating. For best dishwashing results, water should be at least 120°F (49°C) as it enters the dishwasher. To check the temperature, use the faucet closest to your dishwasher.

1. Set the faucet control for the hottest water possible. Run water into a glass set in the sink for at least one minute, allowing it to overflow.
2. Place a candy or meat thermometer in the glass and read it at the maximum setting.
3. If the temperature is too low, raise the setting on your water heater.

Important: If the ENERGY SAVER-WASH button is selected, an incoming water temperature of 140°F (60°C) is recommended.

Energy Saving Tips

Power to Spare . . .

- Use the ENERGY SAVER-DRY option whenever possible. If your incoming water temperature is 140°F (60°C) and you don't need your dishes right away, it pays to air dry them.
- Flash dry dishes. After final rinse, unlatch door and advance Cycle Selection Dial to Pots/Pans Cycle; open door and pull out racks. Because of the heat buildup in dishware during the wash cycle, water evaporates quickly from the dishware.

Important: In hard water areas, flash drying can increase the likelihood of spotting and filming.

- Run the dishwasher only with a full load.
- Do not rinse dishware before loading.
- Use only the cycle and options that you need.
- Run the dishwasher at night during the summer to avoid daytime heat load.

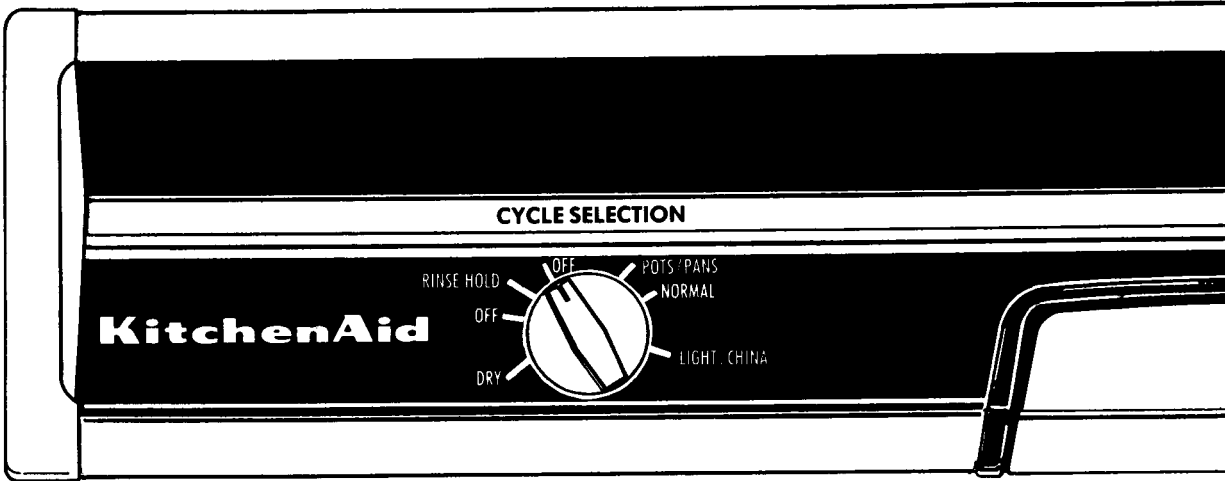
Special Tips on Dishwasher Use

What Can and Cannot Be Washed in Your Dishwasher

Most tableware, cookware and silverware can be safely washed in your KitchenAid dishwasher. If you have any doubts about a particular piece of dishware, check with the manufacturer to see if it is dishwasher safe.

REMEMBER: *It is the user's responsibility to determine if dishware should be washed in a dishwasher.*

Material	Dishwasher Safe?	Exceptions/ Special Information	Material	Dishwasher Safe?	Exceptions/ Special Information
Aluminum	Yes	High water temperature and detergents may affect finish of anodized aluminum.	Disposable Plastics	No	Cannot withstand high water temperatures and detergents.
Cast Iron	No	Seasoning will be removed, and iron will rust.	Plastics	Yes	Always check manufacturers' recommendations before washing. Plastics vary in their capacity to withstand high water temperatures and detergents.
China/ Stoneware	Yes	Always check manufacturers' recommendations before washing. Antique, hand-painted or over-the-glaze patterns may fade. Gold leaf may discolour.	Stainless Steel	Yes	Run a RINSE & HOLD CYCLE if not washing immediately. Prolonged contact with foods containing salt, vinegar, milk products or fruit juice could damage finish.
Crystal	Yes	Always check manufacturers' recommendations before washing. Some types of leaded crystal may etch with repeated washings.	Sterling Silver or Silverplate	Yes	Run a RINSE & HOLD CYCLE if not washing immediately. Prolonged contact with food containing salt, acid or sulfide (eggs, mayonnaise and seafood) could damage finish.
Gold	No	Gold coloured flatware will discolour.	Tin	No	May rust.
Glass	Yes	Milk glass will yellow with repeated dishwasher washing.	Wooden Ware	No	Always check manufacturers' recommendations before washing. Untreated wood may warp, crack or lose its finish.
Hollow-Handle Knives	No	Handles of some knives are attached to the blade with adhesives which may loosen if dishwasher washed.			
Pewter	No	High water temperatures and detergent may discolour or pit finish.			



Dishwasher Cycles

Pots/Pans Cycle is used to wash and dry hard-to-clean, heavily soiled pots, pans and casseroles along with regular tableware. Choose this cycle for the toughest jobs.

There are two wash periods and three rinses followed by a heated dry period.

CYCLE SEQUENCE	TOTAL CYCLE TIME (minutes)	WATER USED (gallons/ltres)
POTS/PANS 	88	10.8/49.2

Normal Wash Cycle is used to wash and dry daily loads with moderate amounts of food soil.

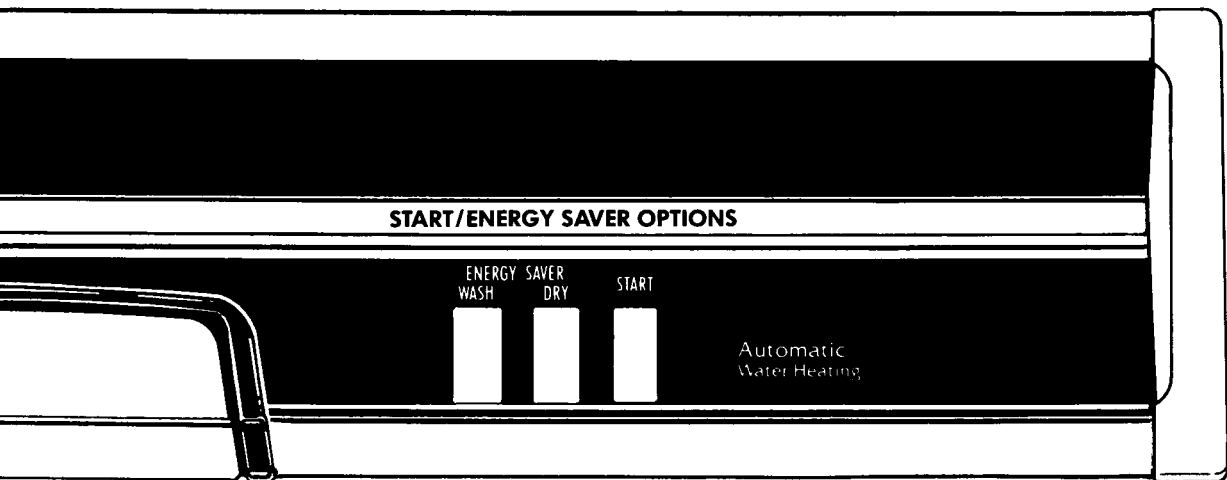
There are two wash periods and two rinses followed by a heated dry period.

CYCLE SEQUENCE	TOTAL CYCLE TIME (minutes)	WATER USED (gallons/ltres)
NORMAL WASH 	78.5	9.0/40.8

Light/China Wash Cycle is used to wash and dry daily loads with light amounts of food soil. This cycle uses less water and time than the Normal Wash Cycle and is the most efficient cycle to use.

There are two wash periods and one rinse followed by a heated dry period.

CYCLE SEQUENCE	TOTAL CYCLE TIME (minutes)	WATER USED (gallons/ltres)
LIGHT/CHINA 	63	6.2/28.4



Rinse & Hold Cycle is used to rinse partial loads of dishes until a full load is accumulated. No detergent is used. Dishware is kept moist until a complete wash and dry cycle can be run. This cycle provides one rinse.

Important: All cycles may be used to wash and dry dishwasher-safe china and crystal. Check manufacturers' recommendations before washing.

CYCLE SEQUENCE	TOTAL CYCLE TIME (minutes)	WATER USED (gallons/litres)
RINSE & HOLD	13	1.9/8.5

Energy Saver-Dry can be used with any Wash Selection to eliminate the heat during the drying portion of a cycle. The fan of the drying system will continue to operate, helping the dishes to air dry naturally. Under certain conditions, you may find a few drops of water on the dishware and silverware at the end of this cycle.

Energy Saver Wash can be used with any Wash Selection to eliminate the water heat during the wash portion of a cycle. This option is only recommended when the inlet water temperature is 140°F (60°C) or higher.

To Cancel A Cycle

The Cycle Selection Dial may be used to cancel any cycle in progress. If water is present in the dishwasher, turn the dial slowly to the drain portion of the wash or rinse. You will hear water draining when you have advanced to the proper location. Let the dishwasher drain completely. Lift the door handle and advance the dial to the Pots/Pans Cycle. This cancels the cycle.

If water is absent from the dishwasher, lift door handle to stop dishwasher action.

Relatch door and advance dial to Pots/Pans Cycle. This cancels the cycle.

TO START A NEW CYCLE — Open dishwasher; check detergent dispenser to be sure it is properly filled. Close and latch door; select the desired new cycle.

Adding Dishware During A Cycle

You can add a forgotten item to the dishwasher any time before the main detergent wash portion of the cycle. To stop the cycle, just unlatch the door handle. However, opening the door during a cycle reduces the cleaning power, so try to load all items before starting the cycle.

TO RESTART DISHWASHER — Close the door and latch the handle, push cycle button originally selected and if desired, the Energy Saver button. The cycle will start exactly where it was stopped.

Loading Your Dishwasher

Your KitchenAid dishwasher is designed with lots of loading space. Glasses, mugs, saucers and saucepans can be loaded in either the upper or lower rack. For best results, dishware should be loaded so soiled surfaces face the rotating wash arm. To protect delicate crystal and plastic items we recommend top rack loading.

No hand rinsing is necessary before loading your KitchenAid dishwasher. *Just scrape* leftover food, bones, toothpicks and other hard items from the dishware.

Some foods like eggs, rice, pasta and cooked cereals may be hard to remove if left to dry over a period of time. If you do not plan to wash your dishes fairly soon after use, run RINSE & HOLD CYCLE to keep them moist until you are ready to run the next wash cycle. Never prewash dishes with a hand dishwashing detergent. It will cause sudsing in the dishwasher and result in poor cleaning and/or spotting and filming on the dishware.

Upper Rack Loading Examples

Glasses and stemware may be loaded together. Stability is important when loading such items.

To achieve stability, load glasses and cups between pins and over pins. Bowls, cups and pans may be loaded in the centre row as shown.

Be sure items are stable. If load is not stable, damage may occur.

Lower Rack Loading Examples

- For maximum capacity and stability of an all-plate load, overlap or "butterfly" small plates on right side, as shown.
- Cereal/soup bowls may be loaded front to back, side to side and along the outer edge depending upon the shape.
- Plates may be loaded front to back or side to side with pots, pans, mixing bowls and large cookware.
- Glasses may be loaded in the lower rack along with plates, bowls and saucepans.

Loading Your Dishwasher

Silverware Basket

The silverware/cutlery basket can be removed for loading and unloading.

For best washing results:

- Load slim-handled silverware with handles up to prevent them from sticking out through the basket, possibly causing damage to the silverware or dishwasher.
- Load forks and spoons with handles up and down so they do not nest together. Nested items cannot be properly washed.

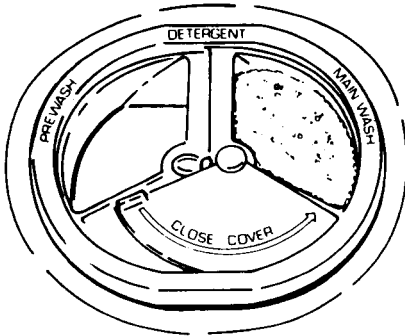
Personal Injury Hazard
Sharp utensils should be loaded with handles up to prevent possible injury.

- The cutlery section in the front of the basket is for long-handled utensils and long knives.

Silver and stainless steel flatware may be damaged if exposed to foods containing salt, vinegar, milk products or fruit juices for long periods of time. Use the RINSE & HOLD CYCLE if flatware is not washed immediately after use.

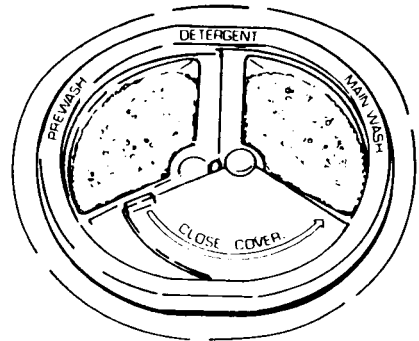
Filling The Detergent Dispenser

1. **USE AUTOMATIC DISHWASHING DETERGENTS ONLY.** Never use soap, hand dishwashing detergent, laundry detergent or laundry enzyme products. They will produce excessive suds and slow down the wash arm action which could cause flooding.



Fill the Main Wash compartment for the Light/China Wash Cycle when the dinnerware is lightly soiled.

2. Add detergent to the dispenser immediately before starting. Detergent exposed to moisture over a period of time may become caked and ineffective. An open box of detergent should stay fresh for about one month.
3. Fill the dispenser with the proper amount of detergent, and close the compartment.



Add detergent to both the Prewash and Main Wash compartments for the Light/China Wash Cycle, the Normal Wash Cycle and the Pots/Pans Cycle when dishes are heavily soiled.

How Much Detergent To Use

Personal Injury Hazard
Dishwasher detergents and rinse agents can be harmful if taken internally. Store these products out of children's reach.

ALWAYS use at least one tablespoon (15 ml) of automatic dishwashing detergent in Main Wash compartment because there are ingredients in detergent to help protect your dinnerware. The amount of detergent needed depends on the amount of food soil on the dishes and the hardness of water. If you have hard water, you will have to use more detergent than if you have soft water.

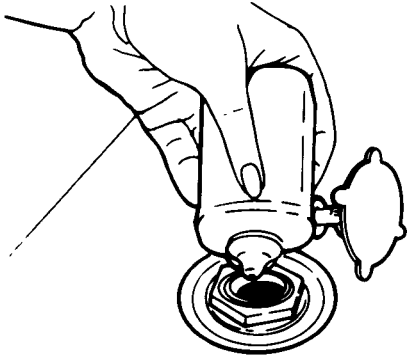
Excessive amounts of detergent combined with soft water may cause etching of glass. Contact your local water utility or area water softening company to determine whether your water is hard or soft.

Water Hardness	Amount of Detergent
Soft Water 0-4 grains	Fill each dispenser half full (approximately 2 tablespoons (30 ml) per dispenser)
Medium Hard Water 4-8 grains	Fill each dispenser $\frac{3}{4}$ full (approximately 2½ table-spoons (38 ml) per dispenser)
Hard Water 8-12 grains	Fill each dispenser completely (approximately 3 tablespoons (45 ml) per dispenser)

Rinse Agents

Your dishwasher uses a liquid rinse agent. A rinse agent helps water to sheet off dishware faster than normal, reducing water spots and speeding up the drying process.

To fill the rinse agent dispenser, unscrew the cap located to the left of the detergent dispenser. This reservoir will hold 7 fluid ounces (200 ml) of rinse agent, enough to last a few months. Be sure to replace the cap after filling the reservoir. A small amount of rinse agent is automatically released during the final rinse. Liquid rinse agents are available in your local supermarket.



Caring For Your Dishwasher

General Cleaning

The porcelain enamel interior of your dishwasher will seldom need cleaning. However, if mineral deposits from hard water accumulate, clean the interior with a mild scouring powder or follow the suggestions indicated in the "Removing Spots and Film" section on page 19.

DO NOT use any type of cleanser that may cause foaming and sudsing. Run the dishwasher through a normal cycle.

The control panel should be wiped clean with a damp cloth only. **NEVER** use detergents, cleaners or abrasive or powdered cleansers which can mar the finish.

The enamel or wood fronts and sides can be cleaned with a soft cloth and a mild, non-abrasive soap and water solution. **NEVER** use paper towels for cleaning. Always dry with a soft cloth.

Seasonal Storage

The Summer Season:

Two simple steps will safeguard your KitchenAid dishwasher during an idle summer:

1. Turn off the water supply.
2. Turn off electricity to the dishwasher.

The Winter Season:

To protect against possible rupture of fill valve, BE SURE water lines leading to, as well as in the dishwasher, are well protected against freezing. RUPTURES OF THIS KIND ARE NOT COVERED BY THE WARRANTY.

To safeguard your KitchenAid dishwasher when it is exposed to freezing temperatures in a seasonal dwelling, have a local qualified person do the following:

1. Close and latch the door.
2. Turn off electricity to the dishwasher.
3. Shut off water supply. Place pan under fill valve, and disconnect fill valve at both inlet and outlet sides. Drain water into pan.
4. Place a pan under the drain valve outlet, and disconnect the flexible tubing at the drain valve. Drain machine water into pan. Leave fill and drain valve disconnected.

To restore service, reconnect the fill valve and the connection at the drain valve. Turn on the electricity and the water supply. Close and latch the door. Select the LIGHT/CHINA WASH CYCLE and let the machine complete its cycle. Check connections to make sure they are water tight and do not leak.

Drain Air Gap

Some local plumbing codes require the addition of a drain air gap between a built-in dishwasher and the home drain system. This device protects your dishwasher against water backing up into it when a drain clogs. The drain air gap is usually located on top of the sink or countertop near the dishwasher. Drain air gap accessory part number 300096 is available from KitchenAid.

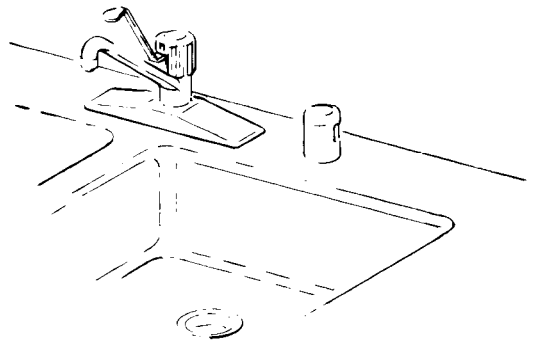
REMEMBER: This external plumbing device is not part of your KitchenAid Dishwasher.

To Clean the Drain Air Gap:

Clean the drain air gap periodically to ensure proper drainage of your dishwasher. Follow drain air gap cleaning instructions provided by the manufacturer. With most types, just lift off the chrome cover, unscrew the plastic cap, and then check for any buildup of soil. Clean, if necessary.

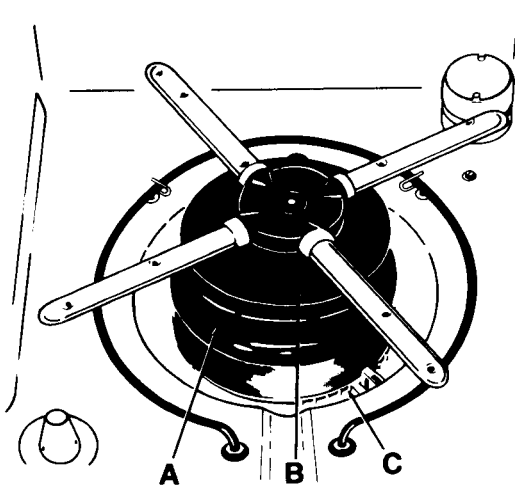
Check the Air Gap Any Time Your Dishwasher Isn't Draining Well

REMEMBER: The warranty provided with your dishwasher does not cover service costs directly associated with the cleaning or repair of the external drain air gap.



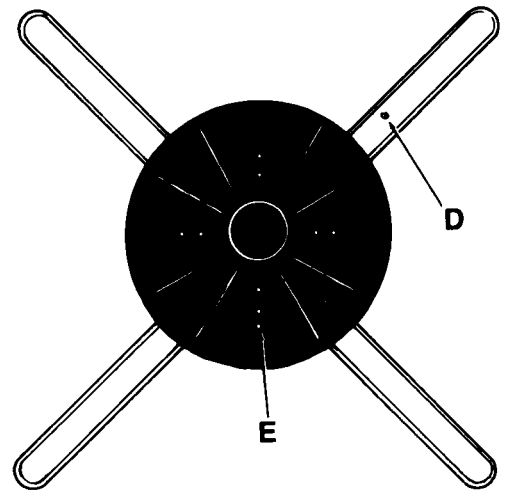
Sure-Scrub* Wash System

The Sure-Scrub* Wash System in your dishwasher provides excellent cleaning results. The wash water is continuously filtered by a triple filtration and soil collector system to prevent food particles from redepositing on clean dishes. The triple filtration system consists of a removable filter (A), an ultrafine filter (B) and a removable coarse strainer (C).



The removable filter continuously filters the wash water and traps the food particles that have been removed from the dishes on the outside of the filter. These trapped food particles are removed from the filter by the jet spray action of water from the single spray nozzle (D) underneath the wash arm. The ultrafine filter is cleaned by the nine water jets (E) underneath the 4-Way Hydro Sweep Wash Arm.

The removable coarse strainer (C) prevents bones, pits and other large objects from entering the pump system. Occasionally check the strainer for such items that may have mistakenly gotten into the dishwasher. The 4-Way Hydro Sweep Wash Arm, the removable filter and the coarse strainer may be removed and cleaned if necessary. If food

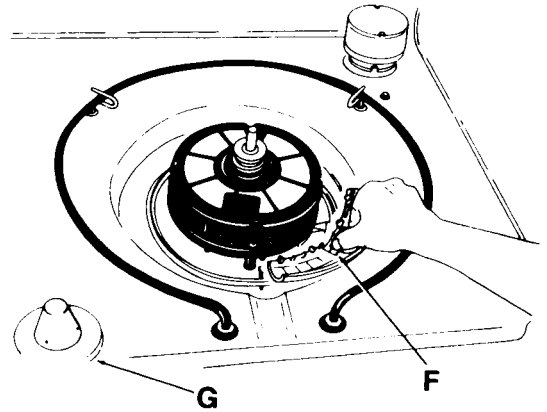
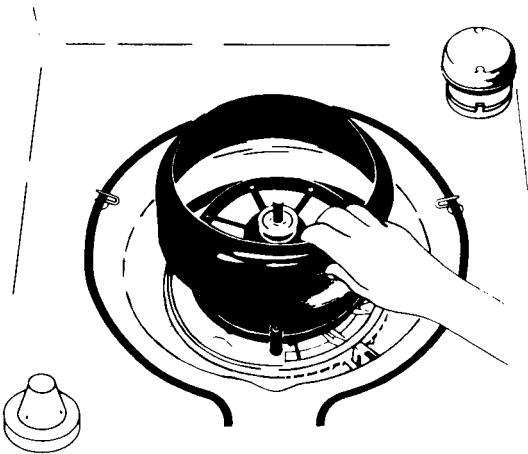


soils remain on the removable filter, lift the 4-Way Hydro Sweep Wash Arm straight up. Check underside of wash arm to make sure the opening of the single stainless steel spray nozzle (D) and the nine water jets (E) are not blocked.

Next, lift the removable filter straight up and out. To clean, scrub filter with a stiff brush under running water. To replace, snap removable filter over the ultrafine filter and then replace the wash arm. When replacing wash arm, be sure that water jets on the wash arm are facing up. Check to make sure wash arm is free to rotate.

The Overflow Protection Float (G) in the front left corner of the dishwasher tank prevents the dishwasher from overflowing. The float must be in place for the dishwasher to operate.

Important: A small amount of water always remains in the bottom of the dishwasher (under the ultrafine filter) to keep the seal moist.



The coarse strainer may be removed, if necessary. To remove, lift strainer out by squeezing centre section (F) and remove. To replace, squeeze centre section so clips snap into square notch.

Possible Burn Hazard
Heating element will be hot immediately following use. Do not touch. To avoid burns wait at least 20 minutes after a cycle for the heating element to cool down.

Problem, Cause, Solution Chart

A convenient checklist for handling minor performance problems. Go over this list before calling for service. If you can't solve your dishwasher's problem, turn to page 23 for service information.

PROBLEM	CAUSE	SOLUTION
Food Soil Left On Dishes	Slowdown of wash arm due to high suds	Use recommended dishwasher detergents only. Never use soap or laundry detergents. Add more dishwasher detergent to increase amount of suds-inhibitors.
	Improper loading	Follow loading instructions in dishwasher Use and Care Guide.
	Low water pressure due to insufficient fill	Home water pressure should be 20 to 120 psi (138 – 827 kPa) for proper dishwasher fill. A booster pump on the water supply may be necessary if pressure is too low.
	Use of incorrect, too little or ineffective detergent	Use recommended dishwasher detergents only. Follow recommendations in Use and Care Guide for amounts; never use less than one tablespoon (15 ml) per load. Detergent must be fresh to be effective. Always store it in a cool, dry area, preferably in an airtight container.
	Detergent cakes in dispenser	Use fresh detergent only. Do not allow detergent to sit for several hours in a wet dispenser. Have dispenser checked to make sure it is working properly.
	Water temperature is too low	Turn home water heater up so water entering dishwasher is 120°F (49°C) minimum. See recommended procedure "Automatic Water Heating," page 6. Do not select ENERGY SAVER-DRY.
Spotting and Filming	Filter cleaning spray nozzle on wash arm is blocked	Remove lower wash arm and turn upside down. Check single stainless steel spray nozzle and nine water jets located on underside of wash arm. See page 16. Check to make sure openings are not blocked.
	Hard water or high mineral content in water	Conditioning the final rinse water with a liquid rinse agent helps eliminate spotting and filming. Keep the dispenser full with a rinse agent at all times.
	Water temperature is too low	Turn home water heater up so water entering dishwasher is 120°F (49°C) minimum. See recommended procedure "Automatic Water Heating," page 6. Do not select ENERGY SAVER-DRY.
	Use of incorrect detergents	Use recommended dishwasher detergents only.
	Incorrect amount of detergent	Follow recommendations in dishwasher Use and Care Guide for amount. Heavy soil and/or hard water generally require extra detergent.
Dishes Do Not Dry Completely	Use of ineffective detergents	Detergent should be fresh. Store in a cool, dry place, preferably in an airtight container. Discard lumpy detergent.
	Insufficient fill caused by low water pressure	Home water pressure should be 20 to 120 psi (138 – 827 kPa) for proper dishwasher fill. A booster pump on the water supply may be necessary if pressure is too low.
	Dishes do not drain properly	Dishes must have proper water drainage. Do not overload. Follow instructions for loading in dishwasher Use and Care Guide. Use a liquid rinse agent to speed draining.
Silica Film or Etching (Silica Film is a White Iridescent Deposit; Etching is a Cloudy Film)	Plastics	Some plastics, due to material, may need to be towel dried.
	A water chemical reaction with certain types of glassware. Usually caused by some combination of soft or softened water, alkaline washing solutions, insufficient rinsing, overloading the dishwasher, and heat of drying.	It may not be possible to prevent problem, except by hand washing. To retard this process, use a minimum amount of detergent but not less than one tablespoon (15 ml) per load. Use a liquid rinse agent and underload the dishwasher to allow thorough rinsing. Silica film and etching are permanent and cannot be removed. Use ENERGY SAVER DRY.

Black or Gray Marks on Dishes	Aluminum markings	Aluminum pieces should be loaded so that they will not rub against dinnerware during washing. Throw-away aluminum items should not be dishwasher washed because they may break down and cause marking. Aluminum markings can be removed by using a mild abrasive cleanser.
Brown Stains on Dinnerware and Dishwasher Interior	High iron content in water supply	Remove by washing dishes (after food soil has been removed) with 1 teaspoon (5 ml) to 1 tablespoon (15 ml) of citric acid crystals added to Main Wash compartment of detergent dispenser. Do not use detergent. Follow with a LIGHT/CHINA WASH CYCLE with detergent. If treatment is needed more often than every other month, the installation of an iron removal unit is recommended.
White Spots on Cookware with Non-Stick Finish	Seasoning removed by dishwasher detergents	Re-season cookware after dishwasher washing.
Odour in the Dishwasher	Dishes only washed every two to three days	Run a RINSE & HOLD CYCLE at least once or twice a day until a full load is accumulated.
Chipping of Dishware	Improper loading	Load dishes and glasses so that they are stable and do not strike together from washing action. (Note: Some types of china and glassware are too delicate for automatic dishwashing and should be hand washed; for example: antiques, featheredged and similar types.) Moving racks in and out smoothly will also minimize chipping.
Removable Filter Needs Frequent Cleaning	Filter is not placed in dishwasher correctly	Make sure Removable Filter is seated properly under wash arm. See page 17.
	Spray nozzle on wash arm is blocked	Remove lower wash arm — see page 16 — and turn upside down. On under side of each tube is an indentation. In one of these indentations is a nozzle (hole) which cleans filter. Check to make sure the nozzle is not blocked.
	Dishes not scraped before loading	Make sure leftover food, bones, toothpicks and other hard items are scraped from dinnerware before loading.

Removing Spots and Film

To remove spots and film on dishware and glasses, or hard water film on the interior of the dishwasher, you may want to use stripping products. These products are available in the detergent section of your local grocery store; follow the manufacturers' directions.

Or you may use vinegar with the following procedure:

1. Load clean dishes and glasses in dishwasher in regular manner. Do not load silverware or other metals in the dishwasher.
2. Close and latch door and select LIGHT/CHINA WASH CYCLE. Do not use detergent. Allow dishwasher to run

through the first wash. When washer has filled for main wash portion of cycle, unlatch and open door. Add 2 cups (500 ml) of household vinegar. Close and latch door and re-select LIGHT/CHINA WASH CYCLE.

3. After final rinse water has drained, cancel cycle. Do not allow dishwasher to go through dry portion of cycle.
4. For a final polish, put two tablespoons (30 ml) of non-precipitating type water conditioner in the right-hand Main Wash compartment of detergent dispenser, and run dishwasher through complete LIGHT/CHINA WASH CYCLE.

Changing Front Panels

Your new KitchenAid dishwasher comes with a stainless steel trim kit and two front panels installed one behind the other. You can choose from almond or white (front and back of one panel) and black or harvest wheat (front and back of the second panel).

If you want to change the colour of the panels, follow one of the options below:

OPTION A may be used if your dishwasher front sticks out several inches from the cabinets.

OPTION B may be used if your dishwasher front is flush with the cabinets.

Electrical Shock Hazard

Disconnect electrical power supply to dishwasher before changing panels. Failure to do so could result in electrical shock or personal injury.

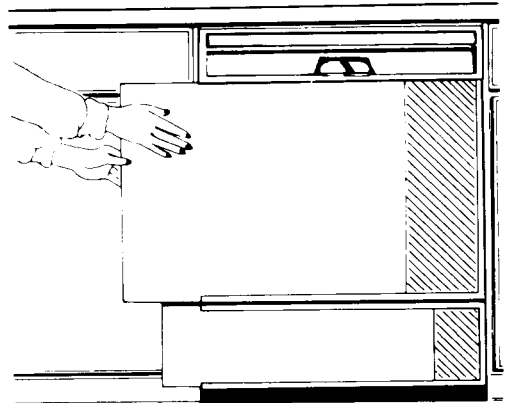
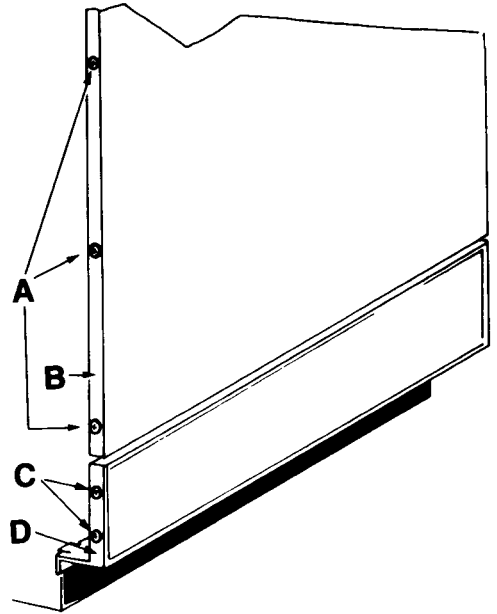
OPTION A

Upper Panel:

1. Disconnect electrical power supply.
2. Pull door open and on either side of the dishwasher door, remove the three screws (A) from the trim (B). Remove the loosened piece of trim.
3. Slide the colour panel out. Handle carefully so the panel will not be scratched or bent. Turn the panel to the desired colour. Place the colour panel in position then push the filler panel in behind it.
4. Replace the trim (B) and the three screws (A).

Lower Panel:

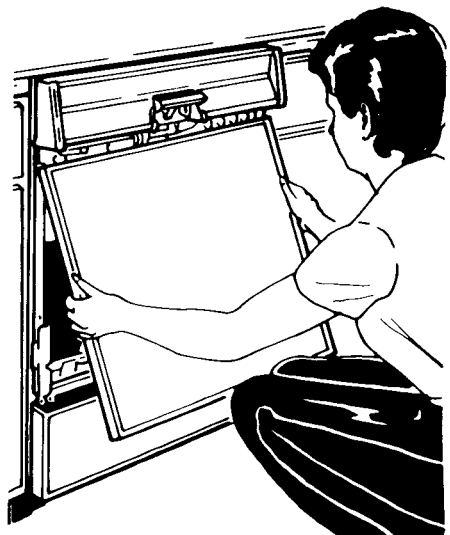
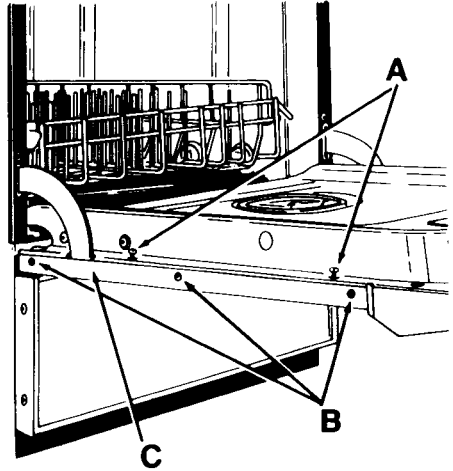
1. Remove the two screws (C) on either side of the lower panel assembly. Remove the loosened piece of trim (D).
2. Slide the colour panel out. Handle carefully so the panel will not be scratched or bent. Turn the panel to the desired colour. Place the colour panel in position then push the filler panel in behind it.
3. Replace the trim (D) and the two screws (C).
4. Reconnect electrical power supply.



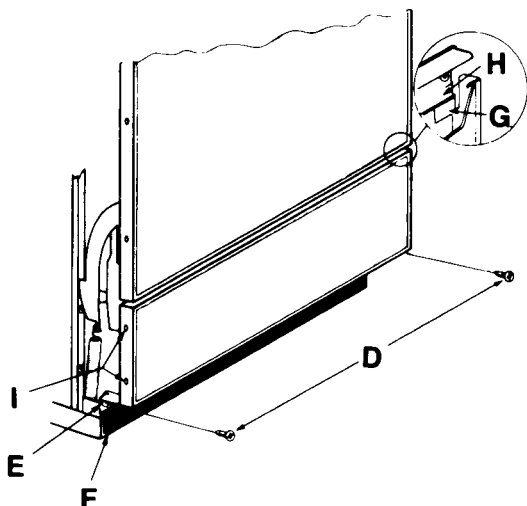
OPTION B

Upper Panel:

1. Disconnect electrical power supply.
2. Pull door open. Remove the two screws (A) on each side of the dishwasher door that secure the upper panel assembly.
3. Close door while holding upper panel in place. Pull out lower edge of panel until top edge of panel drops down.
4. Place panel assembly on a smooth, flat surface and remove three screws (B) from either side of panel to remove the trim strip (C).
5. Slide the colour panel out. Handle carefully so the panel will not be scratched or bent. Turn the panel to the desired colour. Place the colour panel in position then push the filler panel in behind it.
6. Replace the trim strip and the three screws.
7. With hands placed at sides of panel assembly, slide the top edge of the panel up into position under the control panel (see illustration to the right).
8. Hold the panel in place and open the door.
9. Hold panel assembly in position with one hand. Replace the two screws (A) on each side of the dishwasher door that secure the panel assembly.
10. Reconnect electrical power supply.



Lower Panel:



1. Remove two screws (D) located under panel assembly.
2. With hands placed under ends of panel, lift support tabs (E) and pull out until tabs clear kick plate (F).
3. Pull lower panel down until side flanges (G) clear the support strip (H). Lower panel is then removed from dishwasher.
4. Place panel on a smooth, flat surface and remove the two screws (I) from either side of the trim. Take off the loosened piece of trim.
5. Slide the colour panel out. Handle carefully so the panel will not be scratched or bent. Turn the panel to the desired colour. Place the colour panel in position then push the filler panel in place.
6. Replace the trim and screws (I).
7. Taking the assembled lower panel, slide the panel up onto the dishwasher front so that the side flanges (G), fit up behind the support strip (H). If this is done improperly, the lower panel will be loose and may fall off the dishwasher.

8. Lift support tabs (E) of panel assembly up and push lower portion of panel back until support tabs (E) rest on kick plate (F).
9. Replace the screws (D).
10. Check that upper and lower panels are secure.
11. Reconnect electrical power supply.

Optional Front Panels

1. Wood and Decorative Panels

The stainless front trim will accommodate a custom wood front or a decorative panel insert, 1/4 inch (6 mm) thick. Some wood panels and decorative panels are heavy and require heavy dishwasher door springs. These may be ordered from your KitchenAid dealer as a service item, part #4171002. For more information on installing a custom wood front, refer to the Dishwasher Installation instructions. If you have misplaced these instructions, please write to:

Manager
Customer Relations
KitchenAid Canada Inc.
1901 Minnesota Court
Mississauga, Ontario
L5N 3A7

2. Solid Colours

If the four colours provided with your dishwasher do not match your kitchen decor, optional panels are available from your KitchenAid dealer in a variety of decorator colours.

If You Need Service or Assistance

Follow These Steps

1. If your dishwasher should fail to operate, review the following lists before calling your dealer. You could save the cost of a service call.

Has a fuse blown, or is the circuit breaker open?

Is the door closed and latched, and a cycle selected?

Is the overflow protection float in place?
See page 17.

Is the water supply to the dishwasher turned on?

2. If your dishwasher is not washing properly, refer to the Problem, Cause, Solution chart before you make a service call.
3. If the problem is not due to one of the above items, see "Who To Call for Service" listed in the Warranty Statement.

In all correspondence about your dishwasher, please include:

- Date
- Your Name, Address and Telephone Number
- Type of Appliance
- Brand
- Model Number
- Serial Number
- Date Purchased
- Dealer from Whom Purchased (include address)
- Servicing Agent (include name and address if different from dealer's)
- Location of Appliance
- A Clear Description of the Problem and the Service Required

Dishwasher Warranty

LENGTH OF WARRANTY:	KITCHENAID WILL PAY FOR:	KITCHENAID WILL NOT PAY FOR:
ONE YEAR FULL WARRANTY: FROM DATE OF INSTALLATION.	Replacement parts and repair labour to correct defects in materials or workmanship. Service must be provided by an authorized KitchenAid servicing outlet.	<p>A. Service calls to:</p> <ol style="list-style-type: none"> 1. Correct the installation of the dishwasher. 2. Instruct you how to use the dishwasher. 3. Replace house fuses or correct house wiring. 4. Correct house plumbing. <p>B. Repairs when dishwasher is used in other than normal home use.</p> <p>C. Damage resulting from accident, alteration, misuse, abuse, improper installation or installation not in accordance with local electrical and plumbing codes.</p> <p>D. Any labour costs during the limited warranty.</p> <p>E. Replacement parts or repair labour costs for units operated outside Canada.</p> <p>F. Pickup and delivery. This product is designed to be repaired in the home.</p>
FIVE YEAR LIMITED WARRANTY: ONE YEAR FULL PLUS SECOND THROUGH FIFTH YEAR LIMITED FROM DATE OF INSTALLATION.	Replacement parts (repair labour costs not included) for the one-half horsepower motor if defective in materials or workmanship.	
TEN YEAR LIMITED WARRANTY: ONE YEAR FULL PLUS SECOND THROUGH TENTH YEAR LIMITED FROM DATE OF INSTALLATION.	Replacement parts (repair labour costs not included) for the TriDura* Porcelain-on-steel tank or inner door if the tank or inner door develops a water leak as the result of defective materials or workmanship.	

KITCHENAID CANADA INC. DOES NOT ASSUME ANY RESPONSIBILITY FOR INCIDENTAL OR CONSEQUENTIAL DAMAGES.

WHO TO CALL FOR SERVICE

- First call your dealer or repair service he recommends.
- If for some reason he is not available, or if you now reside in an area other than where the unit was purchased, look in the yellow pages of your phone book under "Dishwashing Machines" for authorized KitchenAid servicing outlets.
- If you are unable to obtain satisfactory service, contact the closest KitchenAid Servicing Office.

He is listed in the yellow pages of all metro area phone books under "Dishwashing Machines."

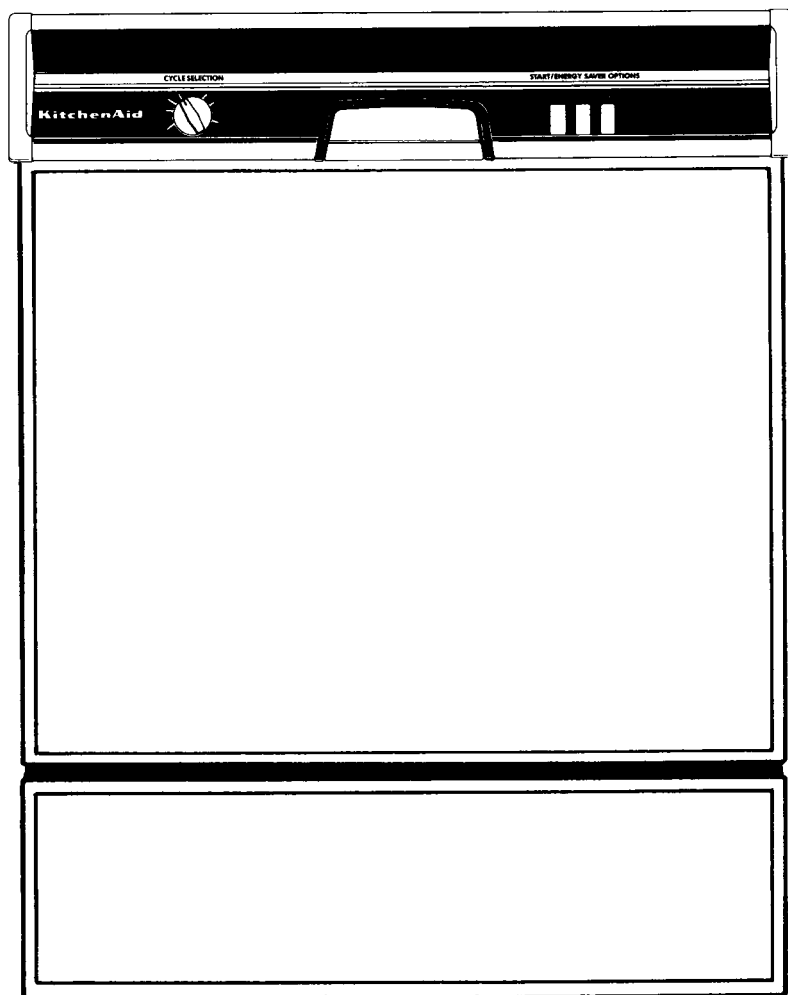
- All service should be handled locally by the dealer from whom you purchased the unit or an authorized KitchenAid servicing outlet. If your local service is not satisfactory, contact the Customer Relations Department, KitchenAid Canada Inc., 1901 Minnesota Court, Mississauga, Ontario L5N 3A7
Phone: (416) 821-6606

Specifications subject to change without notice

KitchenAid*

Lave-vaisselle encastré

Modèle 4KUDC220T



GUIDE D'UTILISATION et D'ENTRETIEN

Table des matières

Importantes consignes de sécurité	3
Enregistrement du propriétaire	4
Faits importants	4
Caractéristiques du lave-vaisselle	5
Comment utiliser le lave-vaisselle	6
Bruits qui peuvent survenir durant le fonctionnement	6
Chauffage automatique de l'eau	6
Conseils pour économiser l'énergie	6
Conseils spéciaux pour l'utilisation du lave-vaisselle	7
Cycles du lave-vaisselle	8-9
Comment annuler un cycle	9
Comment ajouter de la vaisselle durant un cycle	9
Chargement du lave-vaisselle	10-12
Panier supérieur	10
Panier inférieur	11
Panier à argenterie	12
Remplissage du distributeur de détersif	13
Quantité de détersif à utiliser	13
Produits de rinçage	14
Entretien du lave-vaisselle	14
Entreposage saisonnier	15
Coupure anti-retour	15
Système de lavage Sure-Scrub*	16-17
Tableau «Problème, cause, solution»	18-19
Enlèvement de taches et de pellicule	19
Changement des panneaux avant	20-22
Panneaux avant en option	22
Service après-vente	23
Garantie du lave-vaisselle	24

Il appartient au propriétaire du lave-vaisselle de s'assurer que :

- l'appareil est installé par un installateur qualifié;
- l'appareil est installé à un endroit où il sera à l'abri des intempéries;
- l'appareil est installé sur un plancher assez solide pour en supporter le poids;
- l'appareil est doté des connexions électriques et des conduits d'eau et de drainage appropriés; **
- l'appareil est relié correctement à la terre; **
- toutes les étiquettes temporaires ont été détachées de l'appareil;
- l'appareil n'est pas utilisé par des enfants ou par quelqu'un qui n'en connaît pas le fonctionnement;
- l'appareil est bien entretenu.

***Pour de plus amples détails, voir le Guide d'installation.*

Importantes consignes de sécurité

Pour réduire les risques d'incendie, de choc électrique et de blessure lorsque vous utilisez votre lave-vaisselle, prenez les précautions de base suivantes :

1. Lisez le Guide d'utilisation et d'entretien au complet avant d'utiliser votre lave-vaisselle.
2. Vérifiez si le lave-vaisselle est bien raccordé à l'alimentation électrique et à l'alimentation en eau.
3. N'utilisez le lave-vaisselle que dans le but auquel il est destiné.
4. Employez seulement des détergents ou des produits de rinçage recommandés pour les lave-vaisselle; gardez ces produits hors de portée des enfants.
5. Lors du chargement du lave-vaisselle :
 - a. Placez les objets tranchants de telle façon qu'ils ne risquent pas d'endommager le joint d'étanchéité de la porte.
 - b. Placez les couteaux tranchants le manche vers le haut, pour éviter les blessures.
6. **NE LAVEZ AUCUN** objet en plastique dans le lave-vaisselle, à moins qu'il porte la mention "lavable au lave-vaisselle" ou son équivalent. En ce qui concerne les objets ne portant pas une telle mention, suivez les recommandations du fabricant.
7. **NE TOUCHEZ PAS** l'élément chauffant durant ou immédiatement après l'utilisation du lave-vaisselle. Afin d'éviter les brûlures, laissez d'abord refroidir l'élément pendant au moins 20 minutes.
8. **NE FAITES PAS** fonctionner votre lave-vaisselle à moins que tous les panneaux soient bien en place.
9. La porte et les paniers du lave-vaisselle doivent être traités **AVEC SOIN**. Il ne faut pas les utiliser pour s'asseoir ou se tenir debout.
10. Pour éviter toute blessure, ne laissez pas les enfants jouer dans ou sur le lave-vaisselle.
11. Si vous n'avez pas utilisé d'eau chaude depuis quelque temps (environ deux semaines ou plus), de l'hydrogène peut s'être accumulé dans le chauffe-eau et dans les tuyaux d'eau chaude. **L'HYDROGÈNE EST UN GAZ EXPLOSIF**. Pour prévenir toute blessure ou tout dommage, ouvrez tous les robinets d'eau chaude et laissez l'eau couler pendant plusieurs minutes. Cela permettra aux gaz de s'échapper. Ne fumez pas ou n'approchez pas de flamme découverte près du robinet pendant qu'il est ouvert.
12. Lorsque vous vous débarrassez d'un vieux lave-vaisselle, enlevez la porte pour qu'un enfant ne s'enferme pas dans l'appareil par accident.
13. Installez le lave-vaisselle sur un plancher qui est de niveau et suffisamment solide pour supporter le poids de l'appareil.
14. Pour éviter les chocs électriques, coupez l'alimentation électrique au lave-vaisselle avant d'essayer de le réparer.

CONSERVEZ CES CONSIGNES

Enregistrement du propriétaire

Avant d'utiliser votre lave-vaisselle, veuillez remplir et poster la carte d'enregistrement du propriétaire, comprise dans le Guide d'utilisation et d'entretien. Cette carte nous permettra de communiquer avec vous dans l'éventualité peu probable d'un avis de sécurité. Le renvoi de cette carte n'est pas nécessaire pour la validation de votre garantie.

Conservez une copie de la facture indiquant la date d'achat et/ou la date d'installation de votre lave-vaisselle. **CETTE PREUVE D'ACHAT VOUS ASSURE UN SERVICE APRÈS-VENTE SOUS GARANTIE.**

Inscrivez ci-dessous les renseignements suivants. Ils vous seront utiles si jamais votre lave-vaisselle nécessite de l'entretien.

Numéro de modèle † _____

Numéro de série † _____

Date d'achat _____

Date d'installation _____

Nom du dépositaire _____

Adresse _____

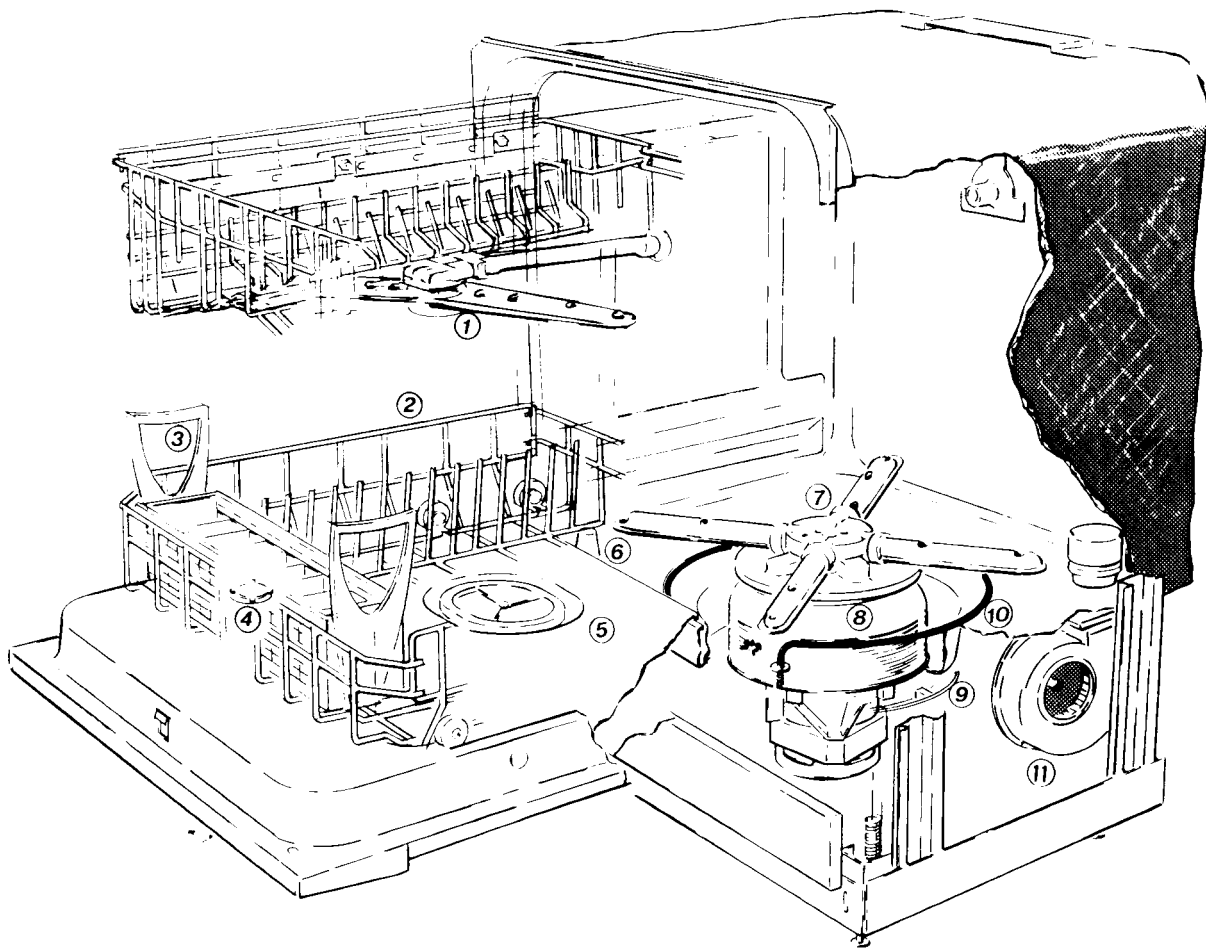
N° de téléphone _____

† Les numéros de modèle et de série sont inscrits sur une étiquette située au côté gauche de l'ouverture de la porte.

Faits importants

- Les lave-vaisselle KitchenAid fonctionnent sur courant domestique de 115 volts, 60 hertz C.A. Ils ne peuvent être transformés de manière à pouvoir fonctionner sur courant domestique de 220 volts, 50 ou 60 hertz.
- Afin d'éviter toute rupture possible de la valve de remplissage, **ASSUREZ-VOUS** que les tuyaux d'eau aboutissant au lave-vaisselle, ainsi que les tuyaux d'eau à l'intérieur du lave-vaisselle, sont protégés contre le gel. De telles ruptures ne sont *pas* couvertes par la garantie. Voir la page 15.
- Lorsque vous vous débarrassez d'un vieux lave-vaisselle, enlevez la porte pour qu'un enfant ne s'enferme pas dans l'appareil par accident.

Caractéristiques du lave-vaisselle



1. Lavage renforcé au niveau supérieur
2. Panier inférieur
3. Panier à couverts/argenterie
4. Distributeur automatique de produit de rinçage
5. Distributeur de détersif
6. Flotteur de protection contre le trop-plein

7. Laveur à 4 bras
(avec bec gicleur)
8. Filtre autonettoyant
9. Filtre amovible à grosses mailles
10. Élément chauffant
11. Ventilateur de séchage Flo-Thru*

Comment utiliser le lave-vaisselle

1^{re} étape Charger les paniers selon les directives paraissant aux pages 10 à 12.

Ne pas mettre le lave-vaisselle en marche si les paniers ne sont pas en place. Cela pourrait entraîner des fuites d'eau et une inondation.

- 2^e étape** Mettre du détergent dans le distributeur de détergent. Voir page 13.
- 3^e étape** Bien fermer la porte et la verrouiller en poussant sa poignée vers le bas.
- 4^e étape** Tourner lentement le bouton de sélection de cycle correspondant. Voir la description des cycles en page 8.
- 5^e étape** Presser le bouton «mise en marche» (Start).

Le lave-vaisselle en marche peut parfois faire du bruit lorsque :

- la soupape de remplissage s'ouvre ou se ferme et l'eau pénètre dans le lave-vaisselle
- l'eau est pompée lors de la fonction de drainage du cycle
- le distributeur de détergent s'ouvre
- la minuterie fait du bruit en avançant
- le moteur de la pompe se met en marche
- les aliments durs sont broyés

Chauffage automatique de l'eau

Ce lave-vaisselle KitchenAid est doté d'un système de chauffage automatique de l'eau. Pour obtenir les meilleurs résultats, la température de l'eau doit atteindre au moins 49 °C (120 °F) lorsqu'elle arrive au lave-vaisselle. Pour vérifier la température, utiliser le robinet le plus proche du lave-vaisselle.

1. Régler le robinet pour obtenir l'eau la plus chaude possible. Laisser couler l'eau pendant au moins une minute dans un verre placé dans l'évier, en laissant déborder l'eau.
2. Placer un thermomètre à confiserie ou à viande dans le verre et voir la température maximale indiquée sur le thermomètre.
3. Si l'eau n'est pas assez chaude, augmenter le réglage du chauffe-eau.

Important : Si l'on choisit le bouton ÉCONOMISEUR D'ÉNERGIE/LAVAGE (ENERGY SAVER-WASH), l'eau arrivant au lave-vaisselle devrait être à 60 °C (140 °F).

Conseils pour économiser l'énergie

Faciles à suivre . . .

- Utiliser l'option ÉCONOMISEUR D'ÉNERGIE/SÉCHAGE (ENERGY SAVER-DRY) aussi souvent que possible. Si l'eau arrivant au lave-vaisselle est à 60 °C (140 °F) et si l'on n'attend pas après la vaisselle propre, il est conseillé de la laisser sécher à l'air.
- La vaisselle peut sécher très rapidement. Après le dernier rinçage, déverrouiller la poignée de la porte et tourner le bouton de sélection de cycle à la position «batterie de cuisine» (Pots & Pans); ouvrir la porte et sortir les paniers. Comme la chaleur s'accumule dans le lave-vaisselle pendant le cycle de lavage, la vaisselle est déjà chaude et l'eau peut s'en évaporer très rapidement.

Important : Dans les régions où l'eau est dure, ce séchage «éclair» augmentera la possibilité de formation de taches ou d'une pellicule.

- Faire fonctionner le lave-vaisselle seulement lorsqu'il est complètement chargé.
- Ne pas rincer la vaisselle avant de la mettre dans le lave-vaisselle.
- N'utiliser que le cycle et les options nécessaires.
- Pendant l'été, faire fonctionner le lave-vaisselle le soir pour éviter d'imposer une charge électrique trop grande pendant la journée.

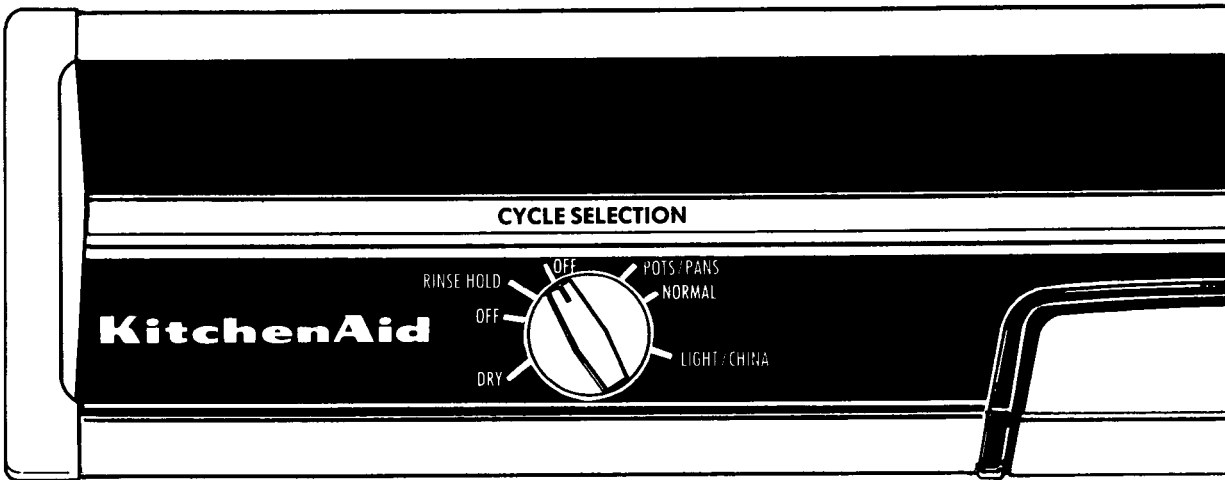
Conseils spéciaux pour l'utilisation du lave-vaisselle

Ce qui peut et ce qui ne peut pas être lavé dans le lave-vaisselle

En règle générale, la vaisselle, les ustensiles de cuisson et l'argenterie peuvent être lavés en toute sécurité dans le lave-vaisselle KitchenAid. En cas de doute concernant une certaine pièce de vaisselle, consulter le fabricant pour savoir si le lavage au lave-vaisselle est recommandé.

À NOTER : Il appartient à l'utilisateur de décider si une pièce de vaisselle peut être lavée dans le lave-vaisselle.

Matière	Lavable sans risque au lave-vaisselle?	Exceptions/ renseignements spéciaux	Matière	Lavable sans risque au lave-vaisselle?	Exceptions/ renseignements spéciaux
Aluminium	Oui	La température élevée de l'eau et les détergents risquent d'altérer le fini de l'aluminium anodisé.	Plastique jetable	Non	Résiste mal aux températures élevées de l'eau et aux détergents.
Fonte	Non	Le revêtement protecteur disparaîtra et le fer rouillera.	Plastique	Oui	Toujours vérifier les recommandations du fabricant avant le lavage. Certains types de plastique résistent moins bien que d'autres aux températures élevées de l'eau et aux détergents.
Porcelaine/ grès	Oui	Toujours vérifier les recommandations du fabricant avant le lavage. La porcelaine à motifs très anciens, peints à la main ou appliqués sur le vernis risque de pâlir. L'or en feuille risque de perdre sa couleur.	Acier inoxydable	Oui	Lorsqu'on ne procède pas au lavage immédiatement après l'utilisation, choisir un cycle RINÇAGE ET ATTENTE (RINSE & HOLD). Un contact prolongé avec des aliments contenant du sel, du vinaigre, des produits laitiers ou des jus de fruits risque d'endommager le fini de cette matière.
Cristal	Oui	Toujours vérifier les recommandations du fabricant avant le lavage. Certains types de cristal de plomb ont tendance à devenir égratignés après de nombreux lavages.	Argent ou plaqué argent	Oui	Lorsqu'on ne procède pas au lavage immédiatement après l'utilisation, choisir un cycle RINÇAGE ET ATTENTE (RINSE & HOLD). Un contact prolongé avec des aliments contenant du sel, de l'acide ou du sulfure (oeufs, mayonnaise et fruits de mer) risque d'endommager le fini de cette matière.
Or	Non	Les plats et les assiettes de couleur or se décoloreront.	Fer blanc	Non	Risque de rouiller.
Verre	Oui	Les verres opaques jauniront après de nombreux lavages.	Bois	Non	Toujours vérifier les recommandations du fabricant avant le lavage. Le bois non traité risque de se déformer, de se fendiller ou de perdre son fini.
Couteaux à manche creux	Non	Les manches de certains couteaux sont fixés à la lame par des adhésifs qui risquent de ramollir, durant les lavages au lave-vaisselle.			
Étain	Non	Les températures élevées de l'eau et le détergent risquent de décolorer l'étain ou d'en piquer le fini.			



Cycles du lave-vaisselle

Le cycle **«batterie de cuisine»** (Pots & Pans) est utilisé pour le lavage et le séchage des casseroles et poêlons sales et difficiles à nettoyer, ainsi que de la vaisselle et des couverts utilisés quotidiennement. Choisir ce cycle pour les travaux les plus durs.

Ce cycle comporte deux périodes de lavage et trois rinçages, suivis d'une période de séchage à la chaleur.

SÉQUENCE DU CYCLE	DURÉE DU CYCLE (minutes)	CONSOMMATION D'EAU (litres/gallons)
BATTERIE DE CUISINE Pré-lavage → Rinçage → Rinçage → Lavage → Rinçage → Séchage → Arrêt	88	49,2/10,8

Le cycle **«lavage normal»** (Normal Wash) est utilisé pour le lavage et le séchage de la charge quotidienne de la vaisselle moyennement sale.

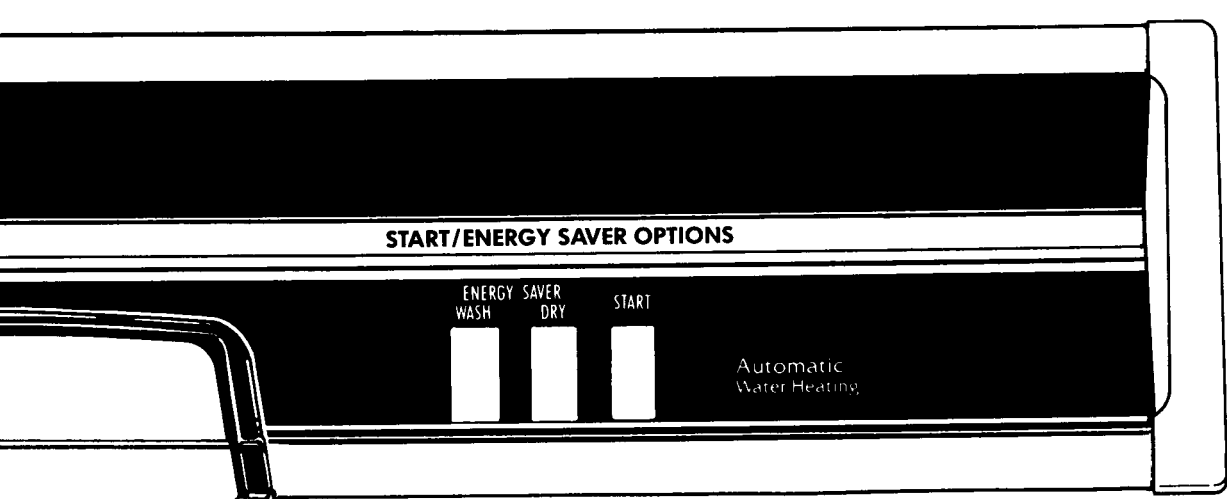
Ce cycle comporte deux périodes de lavage et deux rinçages, suivis d'une période de séchage à la chaleur.

SÉQUENCE DU CYCLE	DURÉE DU CYCLE (minutes)	CONSOMMATION D'EAU (litres/gallons)
LAVAGE NORMAL Lavage → Rinçage → Lavage → Rinçage → Séchage → Arrêt	78,5	40,8/9,0

Le cycle **«lavage léger/porcelaine»** (Light/China Wash) est utilisé pour le lavage et le séchage de la charge quotidienne de la vaisselle légèrement sale. En plus d'économiser de l'eau, ce cycle s'effectue plus rapidement que le cycle «lavage normal» (Normal Wash). C'est le plus efficace des cycles proposés.

Ce cycle comporte deux périodes de lavage et un rinçage, suivis d'une période de séchage à la chaleur.

SÉQUENCE DU CYCLE	DURÉE DU CYCLE (minutes)	CONSOMMATION D'EAU (litres/gallons)
LAVAGE LÉGER/PORCELAINE Lavage → Lavage → Rinçage → Séchage → Arrêt	63	28,4/6,2



Le cycle «**rinçage et attente**» (Rinse & Hold) est utilisé pour rincer des charges partielles de vaisselle jusqu'à l'accumulation d'une charge entière. Ce cycle ne requiert pas l'usage de détergant. La vaisselle est gardée humide, jusqu'à ce qu'elle subisse un cycle complet de lavage/séchage.

Important : Tous les cycles peuvent être utilisés pour le lavage et le séchage de la porcelaine et du cristal pouvant aller au lave-vaisselle. Vérifier les recommandations du fabricant avant le lavage.

Ce cycle comprend un rinçage.

SÉQUENCE DU CYCLE	DURÉE DU CYCLE (minutes)	CONSUMMATION D'EAU (litres/gallons)
RINÇAGE & ATTENTE	13	8,5/1,9

La fonction «**économiseur d'énergie/séchage**» (Energy Saver-Dry) permet d'éliminer le chauffage lors de la période de séchage du cycle. Le ventilateur du système de séchage continuera de fonctionner, permettant ainsi à la vaisselle de sécher naturellement à l'air. Il est possible de trouver parfois quelques gouttes d'eau sur la vaisselle et sur l'argenterie, à la fin du cycle.

La fonction «**économiseur d'énergie/lavage**» (Energy Saver Wash) peut être utilisée avec n'importe quelle sélection de lavage. Elle permet d'éliminer le chauffage de l'eau lors de la période de lavage d'un cycle. Cette fonction ne doit être utilisée que lorsque la température de l'eau arrivant au lave-vaisselle est d'au moins 60 °C (140 °F).

Annulation d'un cycle

Le bouton de sélection de cycle peut être utilisé pour annuler tout cycle en cours. S'il y a de l'eau dans le lave-vaisselle, tourner le bouton lentement jusqu'à la portion d'évacuation de l'eau du lavage ou du rinçage. Lorsque le bouton est au bon endroit, vous entendez le son que produit l'évacuation de l'eau. Laisser le lave-vaisselle se vider complètement. Soulever la poignée de la porte et tourner le bouton au cycle «batterie de cuisine» (Pots & Pans). Le cycle est ainsi annulé. S'il n'y a pas d'eau dans le lave-

vaisselle, soulever la poignée de la porte et le lave-vaisselle s'arrêtera. Verrouiller la porte à nouveau et tourner le bouton au cycle «batterie de cuisine» (Pots & Pans). Le cycle est ainsi annulé.

POUR COMMENCER UN NOUVEAU CYCLE — Ouvrir la porte du lave-vaisselle et vérifier si le distributeur de détergant est bien rempli. Fermer et verrouiller la porte et choisir le nouveau cycle désiré.

Vaisselle ajoutée au lavage durant un cycle

Il est possible d'ajouter un objet dans le lave-vaisselle tant que l'étape de lavage principal au détergant n'est pas commencée. Pour interrompre le cycle, il suffit de déverrouiller la poignée de la porte. Cependant, il faut noter que le fait d'ouvrir la porte durant un cycle réduit le pouvoir nettoyant du lave-vaisselle. Il est donc préférable de charger tous les objets à laver avant le début du cycle.

REMISE EN MARCHÉ DU LAVE-VAISSELLE. Fermer la porte et verrouiller la poignée. Presser le bouton du cycle déjà choisi et, si on le désire, le bouton «économiseur d'énergie» (Energy Saver). Le cycle reprendra exactement où il a été interrompu.

Chargement du lave-vaisselle

Ce lave-vaisselle KitchenAid est très spacieux. Verres, tasses, soucoupes et casseroles peuvent être placés dans le panier supérieur ou inférieur. Pour obtenir les meilleurs résultats, la vaisselle doit être toujours disposée de telle façon que les surfaces sales soient tournées vers le laveur rotatif. Pour protéger les objets fragiles en cristal et en plastique, il est recommandé de les placer dans le panier supérieur.

Il n'est pas nécessaire de rincer la vaisselle à la main avant de la placer dans le lave-vaisselle KitchenAid. Il suffit d'enlever les restes de nourriture, os, cure-dents et autres objets durs de la vaisselle.

Certains aliments tels que les oeufs, le riz, les pâtes alimentaires et les céréales bouillies, sont difficiles à enlever s'ils ont eu le temps de sécher. Si l'on ne compte pas laver la vaisselle peu après son utilisation, effectuer un cycle de RINÇAGE ET ATTENTE (RINSE & HOLD), afin de la garder humide jusqu'au prochain cycle de lavage. Ne jamais prélever la vaisselle à la main avec un détersif liquide. Cela produirait trop de mousse dans le lave-vaisselle et la vaisselle en ressortirait mal lavée et/ou couverte de taches ou d'une pellicule.

Exemples de chargement du panier supérieur

Verres et verres à pied peuvent être placés ensemble. Veillez à ce qu'ils soient placés de façon stable dans le lave-vaisselle.

Pour s'assurer de leur stabilité, placer verres et tasses entre les tiges et sur les tiges. Bols, tasses et casseroles peuvent être placés dans la rangée du centre, comme sur l'illustration.

S'assurer que les objets sont placés de façon stable dans le lave-vaisselle. Sinon, ils risquent d'être endommagés.

Exemples de chargement du panier inférieur

- Pour obtenir le maximum de capacité et de stabilité lors d'un chargement composé uniquement d'assiettes, disposer les petites assiettes en chevauchement du côté droit du panier, comme sur la photo.
- Les bols à céréales et les bols à soupe peuvent être placés de l'avant à l'arrière, d'un côté à l'autre et le long des bords extérieurs, selon la forme des bols.
- Les assiettes peuvent être disposées de l'avant à l'arrière ou d'un côté à l'autre avec les casseroles, poêles, bols à mélanger et grands ustensiles de cuisson.
- Les verres peuvent être disposés dans le panier inférieur, avec les assiettes, bols et casseroles.

Chargement du lave-vaisselle

Panier à argenterie

On peut sortir le panier à argenterie/couverts du lave-vaisselle pour le chargement et le déchargement.

Pour obtenir le meilleur lavage possible :

- Disposer l'argenterie à manches fins avec les manches dirigés vers le haut, pour empêcher qu'ils ne glissent à travers le panier, ce qui pourrait endommager l'argenterie ou le lave-vaisselle.

- Disposer fourchettes et cuillères avec les manches dirigés vers le haut et vers le bas, pour qu'elles ne s'imbriquent pas l'une dans l'autre, ce qui empêcherait un bon nettoyage.

Risque de blessures

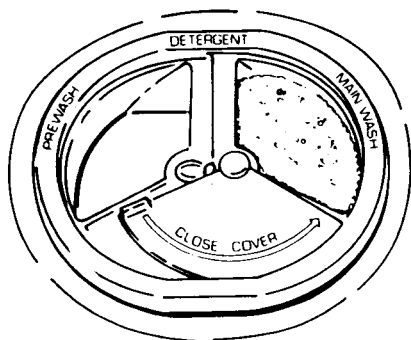
Les ustensiles tranchants devraient être disposés avec les manches vers le haut, afin de prévenir les blessures.

- Le compartiment situé à l'avant du panier est destiné aux ustensiles à longs manches et aux longs couteaux.

Les objets en argent et en acier inoxydable risquent d'être endommagés s'ils sont exposés trop longtemps à des aliments contenant du sel, du vinaigre, des produits laitiers ou des jus de fruits. Utiliser le cycle RINÇAGE ET ATTENTE (RINSE & HOLD) lorsqu'ils ne sont pas lavés immédiatement après leur usage.

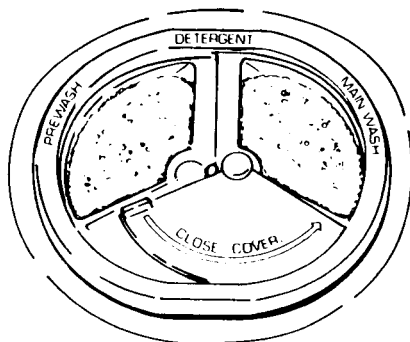
Remplissage du distributeur de détergent

1. **UTILISER UNIQUEMENT DES DÉTERSIFS POUR LAVE-VAISSELLE AUTOMATIQUE.** Ne jamais utiliser de savon, de détergent pour lavage de la vaisselle à la main, de détergent à lessive ou de produits de lessive à base d'enzymes. Ces produits donnent trop de mousse, ce qui a pour effet de ralentir le mouvement des bras de lavage et de causer parfois des inondations.



Remplir la section du distributeur pour «lavage principal» (Main Wash) pour le cycle «lavage léger/porcelaine» (Light/China Wash) quand la vaisselle est légèrement sale.

2. Mettre le détergent dans le distributeur tout juste avant de commencer le lavage. Le détergent exposé trop longtemps à l'humidité devient pâteux et inefficace. Une fois que la boîte de détergent est ouverte, le détergent devrait rester frais pendant environ un mois.
3. Mettre la quantité appropriée de détergent dans le distributeur et fermer cette section.



Ajouter du détergent dans les sections «prélavage» (Prewash) et «lavage principal» (Main Wash) pour le cycle «lavage léger/porcelaine» (Light/China Wash), le cycle «lavage normal» (Normal Wash) et le cycle «batterie de cuisine» (Pots & Pans) quand la vaisselle est très sale.

Quantité de détergent à utiliser

Danger de blessures

Les détergents et les produits de rinçage sont dangereux s'ils sont ingérés. Garder ces produits hors de la portée des enfants.

Utiliser **TOUJOURS** au moins 15 mL (1 cuillerée à table) de détergent pour lave-vaisselle automatique dans la section «lavage principal» (Main Wash) du distributeur. Le détergent contient certains ingrédients qui aident à protéger la vaisselle. La quantité de détergent requise dépend de la saleté accumulée sur la vaisselle et de la teneur en calcaire de l'eau. Il faudra utiliser plus de détergent pour de l'eau calcaire que pour de l'eau douce.

Une quantité excessive de détergent ajoutée à une eau douce peut entraîner la formation d'une pellicule sur le verre.

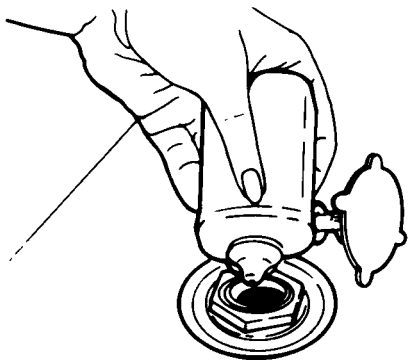
Consulter le service local de distribution d'eau ou la compagnie d'adoucissement de l'eau de la région pour savoir si l'eau est douce ou calcaire.

Dureté de l'eau	Quantité de détergent
Eau douce de 0 à 4 grains	Remplir à moitié chaque section du distributeur (environ 30 mL [2 cuillerées à table] par section)
Eau calcaire moyenne de 4 à 8 grains	Remplir aux trois quarts chaque section du distributeur (environ 38 mL [2½ cuillerées à table] par section)
Eau très calcaire de 8 à 12 grains	Remplir complètement chaque section du distributeur (environ 45 mL [3 cuillerées à table] par section)

Produits de rinçage

Ce lave-vaisselle permet l'utilisation d'un produit de rinçage liquide. Un produit de rinçage aide l'eau à s'écouler de la vaisselle plus rapidement que normalement, ce qui a pour effet de réduire la formation des taches d'eau et d'accélérer le séchage.

Pour remplir le réservoir de produit de rinçage, dévisser le bouchon situé à gauche du distributeur de détersif. Ce réservoir peut contenir 200 mL (7 onces liquides) de produit de rinçage, ce qui devrait suffire pour quelques mois. S'assurer de replacer le bouchon après avoir rempli le réservoir. Une petite quantité de produit de rinçage sort automatiquement du réservoir au cours du rinçage final. Des produits de rinçage liquides sont vendus dans la plupart des supermarchés.



Entretien du lave-vaisselle

Nettoyage général

L'intérieur en émail porcelaine nécessite rarement un nettoyage. Cependant, si des dépôts calcaires provenant de l'eau s'accumulent, nettoyer l'intérieur à l'aide d'une poudre à récurer très douce ou suivre les conseils fournis dans la section «Enlèvement de taches et de pellicule», à la page 19.

NE PAS utiliser de produit nettoyant moussant. Faire effectuer un cycle de lavage normal au lave-vaisselle.

Toujours nettoyer le tableau de commande à l'aide d'un chiffon humide. Ne JAMAIS utiliser de détersif ou de produit nettoyant en poudre ou abrasif, car ils pourraient endommager le fini du tableau.

Les panneaux avant et latéraux émaillés ou en bois peuvent être nettoyés à l'aide d'un chiffon doux et d'une solution savonneuse, douce et non abrasive. Ne JAMAIS utiliser de serviette en papier pour le nettoyage. Toujours essuyer le lave-vaisselle avec un chiffon doux.

Entreposage saisonnier Coupure anti-retour

Pendant l'été :

Voici deux étapes simples à suivre pour préserver le lave-vaisselle KitchenAid lorsqu'il ne sert pas durant l'été :

1. Couper l'alimentation d'eau.
2. Couper l'électricité au lave-vaisselle.

Pendant l'hiver :

Afin d'éviter tout risque de rupture de la valve de remplissage, les conduits d'eau d'alimentation du lave-vaisselle ainsi que ceux situés à l'intérieur du lave-vaisselle, DOIVENT être protégés contre le gel. LES RUPTURES DE LA VALVE DE REMPLISSAGE NE SONT PAS COUVERTES PAR LA GARANTIE.

Pour préserver le lave-vaisselle KitchenAid lorsqu'il est exposé au gel dans un chalet, demander à un technicien qualifié de la région de procéder comme suit :

1. Fermer et verrouiller la porte.
2. Couper l'électricité au lave-vaisselle.
3. Couper l'alimentation d'eau. Placer un récipient sous la valve de remplissage et détacher la valve de remplissage des deux côtés (arrivée et sortie d'eau). Laisser l'eau s'écouler dans le récipient.
4. Placer un récipient sous la sortie de la valve d'évacuation et détacher le boyau de la valve d'évacuation. Laisser l'eau de la machine s'écouler dans le récipient. Laisser les valves de remplissage et d'évacuation détachées.

Pour remettre le lave-vaisselle en service, raccorder de nouveau la valve de remplissage et le raccord à la valve d'évacuation. Rétablir le courant électrique et ouvrir l'eau. Fermer et verrouiller la porte. Faire effectuer à la machine un cycle de LAVAGE LÉGER/PORCELAINE (LIGHT/CHINA WASH) au complet. Vérifier les raccords pour s'assurer qu'ils sont étanches et qu'il n'y a pas de fuite.

Certains codes de plomberie locaux exigent l'ajout d'une coupure anti-retour entre un lave-vaisselle encastré et le système de drainage de la maison. Ce dispositif protège le lave-vaisselle contre tout refoulement d'eau lorsque le système de drainage est obstrué. La coupure anti-retour est placée normalement au-dessus de l'évier ou du comptoir, près du lave-vaisselle. On peut se procurer un dispositif de coupure anti-retour en commandant la pièce n° 300096 de KitchenAid.

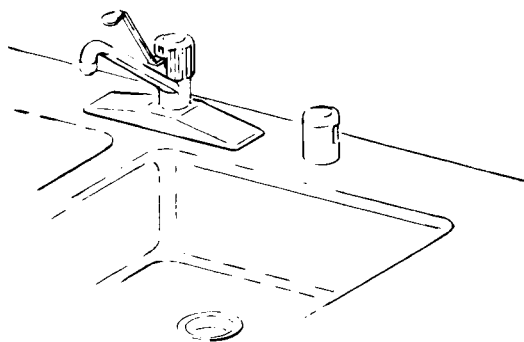
À NOTER que ce dispositif de plomberie externe ne fait pas partie du lave-vaisselle KitchenAid.

Nettoyage de la coupure anti-retour :

Nettoyer périodiquement la coupure anti-retour pour assurer le drainage efficace du lave-vaisselle. Suivre les directives fournies par le fabricant concernant le nettoyage de la coupure anti-retour. Il suffit la plupart du temps de lever le couvercle chromé, dévisser le bouchon en plastique et vérifier s'il y a une accumulation de saleté. Nettoyer au besoin.

Vérifier la coupure anti-retour chaque fois que le drainage du lave-vaisselle ne se fait pas normalement.

À NOTER : La garantie qui accompagne le lave-vaisselle ne couvre pas les frais d'entretien concernant directement le nettoyage ou la réparation du dispositif externe de coupure anti-retour.

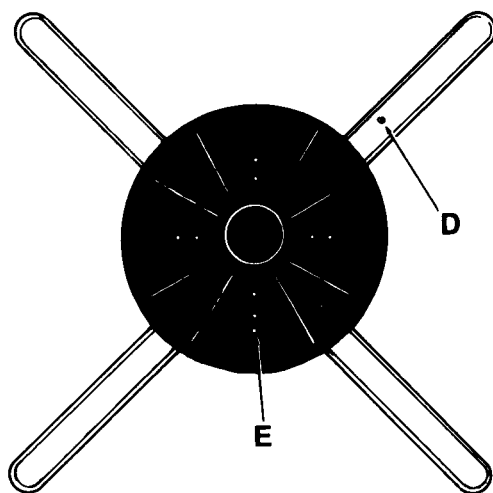
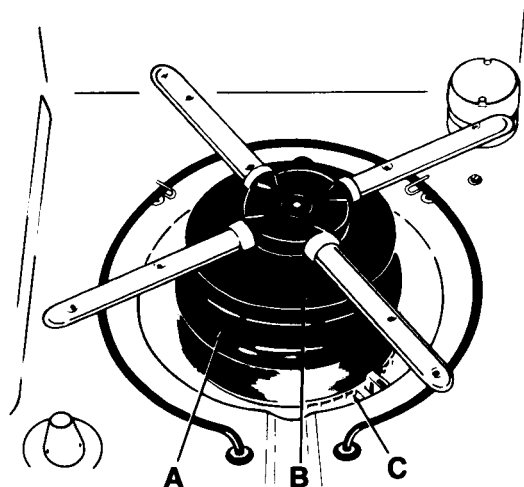


Systeme de lavage Sure-Scrub*

Le système de lavage Sure-Scrub* permet au lave-vaisselle d'effectuer d'excellents lavages. L'eau de lavage est continuellement filtrée par un système de triple filtrage et de captage de la saleté qui empêche les particules d'aliments de se déposer de nouveau sur la vaisselle. Le système de triple filtrage comprend un filtre amovible (A), un filtre ultra-fin (B) et un filtre amovible à grosses mailles (C).

Le filtre amovible à grosses mailles (C) empêche les os, les noyaux et d'autres gros objets de pénétrer dans le système de pompe. De temps à autre, vérifier le filtre au cas où de tels objets auraient été introduits par erreur dans le lave-vaisselle.

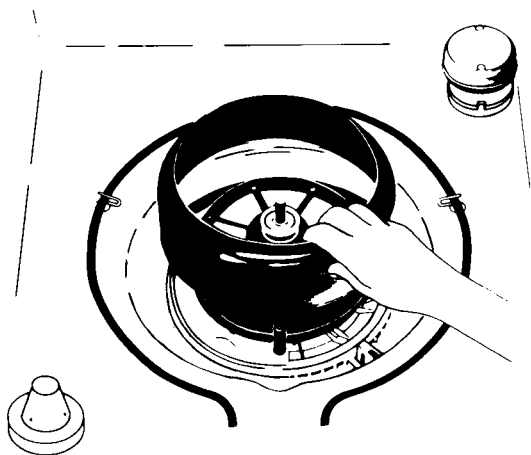
Le laveur à 4 bras, le filtre amovible et le filtre à grosses mailles peuvent être enlevés s'ils ont besoin d'être nettoyés. S'il reste des déchets



Le filtre amovible filtre continuellement l'eau de lavage et retient les particules d'aliments provenant de la vaisselle à l'extérieur du filtre. Ces particules d'aliments sont retirées du filtre par le jet d'eau provenant de l'unique bec gicleur (D) qui se trouve sous un bras du laveur. Le filtre ultra-fin est nettoyé par les neuf trous de giclement (E) situés au-dessous du laveur à 4 bras.

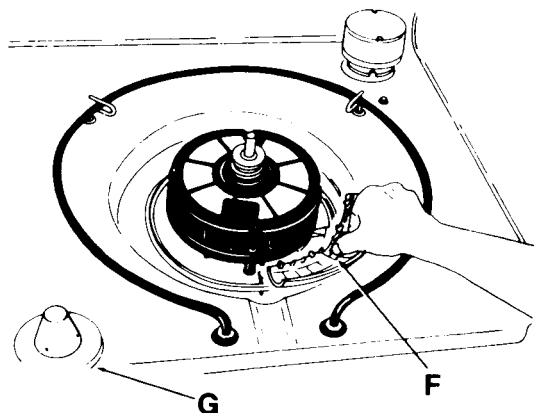
d'aliments sur le filtre amovible, soulever le laveur tout droit. Vérifier le dessous du laveur pour s'assurer que l'ouverture de l'unique bec gicleur en acier inoxydable (D) et les neuf trous de giclement (E) ne sont pas obstrués.

Ensuite, enlever le filtre amovible en le soulevant tout droit; le sortir du lave-vaisselle. Pour nettoyer le filtre, le mettre sous l'eau du robinet et le frotter à l'aide d'une brosse dure. Pour replacer le filtre, l'emboîter sur le filtre ultra-fin. Replacer ensuite le laveur en veillant à ce que les trous de giclement des bras soient tournés vers le haut. Veiller à ce que les bras du laveur puissent tourner librement.



Le flotteur de protection contre le trop-plein (G), situé dans le coin gauche de la partie avant du lave-vaisselle, empêche l'eau du lave-vaisselle de déborder. Le flotteur doit être en place pour que le lave-vaisselle puisse fonctionner.

Important : Une petite quantité d'eau demeure toujours au bas du lave-vaisselle dans le puisard (sous le filtre ultra-fin), pour lubrifier le joint étanche.



Le filtre à grosses mailles peut être enlevé au besoin. Pour enlever le filtre à grosses mailles, presser sa partie centrale (F), lever le filtre et le sortir du lave-vaisselle. Pour replacer le filtre, presser sa partie centrale afin que les agrafes s'emboîtent dans l'encoche carrée.

Danger de brûlures

L'élément chauffant demeurera chaud après le fonctionnement de la machine. Ne pas y toucher. Pour éviter les brûlures, laisser refroidir l'élément pendant au moins 20 minutes après la fin d'un cycle.

Tableau «Problème, Cause, Solution»

Voici une liste de contrôle pratique qui peut aider à résoudre certains petits problèmes de rendement. Revoir cette liste avant d'appeler le Service après-vente. Si le problème ne peut être résolu, se reporter à la page 23 de ce Guide pour les renseignements sur le Service après-vente.

PROBLÈME	CAUSE	SOLUTION
Restes de nourriture sur la vaisselle	Ralentissement du laveur dû à l'excès de mousse	Utiliser seulement des détergents recommandés pour lave-vaisselle. Ne jamais utiliser de savon ou de détergent de lessive. Ajouter du détergent pour lave-vaisselle afin d'augmenter la quantité d'anti-mousse.
	Mauvais chargement	Suivre les instructions sur le chargement du lave-vaisselle dans le Guide d'utilisation et d'entretien.
	Remplissage insuffisant dû à une faible pression d'eau	La pression de l'eau doit être entre 138 et 827 kPa (entre 20 et 120 lb/po ²) pour assurer le remplissage adéquat du lave-vaisselle. Si la pression est inférieure, il sera peut-être nécessaire d'installer une pompe auxiliaire dans le conduit d'alimentation en eau.
	Utilisation d'un détergent non approprié, de trop peu de détergent ou d'un détergent inefficace	Utiliser uniquement des détergents recommandés pour lave-vaisselle. Pour les quantités à utiliser, suivre les recommandations du Guide d'utilisation et d'entretien. Ne jamais utiliser moins de 15 mL (1 cuillère à table) par charge. Le détergent doit être frais pour être efficace. Le garder en tout temps dans un endroit sec et frais, de préférence dans un récipient hermétique.
	Le détergent adhère au distributeur	Utiliser seulement du détergent frais. Ne pas laisser reposer le détergent pendant plusieurs heures dans un distributeur humide. Faire vérifier le distributeur pour s'assurer qu'il fonctionne bien.
	La température de l'eau est trop basse	Augmenter la température du chauffe-eau pour que l'eau acheminée au lave-vaisselle ait une température d'au moins 49 °C (120 °F). Voir la méthode recommandée dans «Chauffage automatique de l'eau», page 6. Ne pas choisir ÉCONOMISEUR D'ÉNERGIE/SÉCHAGE (ENERGY SAVER-DRY).
Le gicleur du laveur servant à nettoyer le filtre est obstrué	Enlever le laveur inférieur et le tourner à l'envers. Vérifier l'unique bec gicleur en acier inoxydable et les neuf trous de giclement situés sous le laveur. Voir la page 16. Veiller à ce que les trous ne soient pas obstrués.	
Taches et pellicule	Eau calcaire ou à forte teneur en minéraux	En ajoutant un produit de rinçage dans l'eau du rinçage final, on aide à éliminer la formation de taches et de pellicule. Le distributeur doit toujours être plein de produit de rinçage.
	La température de l'eau est trop basse	Augmenter la température du chauffe-eau pour que l'eau acheminée au lave-vaisselle ait une température d'au moins 49 °C (120 °F). Voir la méthode recommandée à la section «Chauffage automatique de l'eau», page 6. Ne pas choisir ÉCONOMISEUR D'ÉNERGIE/SÉCHAGE (ENERGY SAVER-DRY).
	Utilisation de détergents non appropriés	Utiliser seulement des détergents recommandés pour lave-vaisselle.
	Quantité incorrecte de détergent	Utiliser les quantités recommandées dans le Guide d'utilisation et d'entretien. La vaisselle très sale et/ou une eau calcaire exigent généralement plus de détergent.
	Utilisation de détergents inefficaces	Le détergent doit être frais. Le garder dans un endroit sec et frais, de préférence dans un récipient hermétique. Jeter le détergent grumeleux.
Remplissage insuffisant dû à une faible pression d'eau	La pression de l'eau doit être entre 138 et 827 kPa (entre 20 et 120 lb/po ²) pour assurer le remplissage adéquat du lave-vaisselle. Si la pression est inférieure, il sera peut-être nécessaire d'installer une pompe auxiliaire dans le conduit d'alimentation en eau.	
La vaisselle ne sèche pas complètement	L'eau ne s'égoutte pas complètement de la vaisselle	L'eau doit bien s'égoutter de la vaisselle. Ne pas surcharger les paniers. Suivre les méthodes de chargement indiquées dans le Guide d'utilisation et d'entretien. Utiliser un produit de rinçage liquide pour accélérer l'égouttement.
	Objets en plastique	Certains types de plastique doivent être essuyés à l'aide d'un linge à vaisselle.

Pellicule siliceuse (dépôt blanc d'aspect irisé) ou pellicule trouble (dépôt nuageux)	Réaction des produits chimiques de l'eau avec certains types de verre. La réaction est généralement causée par un ensemble de facteurs, comme l'eau douce ou adoucie, les produits de lessive alcalins, un rinçage insuffisant, la surcharge du lave-vaisselle et la chaleur du séchage.	Il est peut-être impossible d'éviter ce problème, sauf en lavant la vaisselle à la main. Pour ralentir le processus, utiliser le moins de détergent possible mais pas moins de 15 mL (1 cuillerée à table), par charge. Utiliser un produit de rinçage liquide et éviter de charger le lave-vaisselle à pleine capacité, pour favoriser un bon rinçage. Les pellicules siliceuse et trouble sont permanentes et ne peuvent être enlevées. Utiliser l'option ÉCONOMISEUR D'ÉNERGIE/SÉCHAGE (ENERGY SAVER-DRY).
Taches noires ou grises sur la vaisselle	Traces d'aluminium	Disposer les objets en aluminium de façon à ce qu'ils ne frottent pas contre la vaisselle durant le lavage. Les objets d'aluminium jetables ne doivent pas être lavés au lave-vaisselle, car ils peuvent se désintégrer et laisser des traces sur la vaisselle. Les traces d'aluminium s'enlèvent à l'aide d'un nettoyant légèrement abrasif.
Taches brunes sur la vaisselle et à l'intérieur du lave-vaisselle	Eau à teneur élevée en fer	Après avoir débarrassé la vaisselle des restes d'aliments, déposer entre 5 mL (1 cuillerée à thé) et 15 mL (1 cuillerée à table) d'acide citrique en cristaux dans la section «lavage principal» (Main Wash) du distributeur de détergent, et effectuer un lavage sans détergent. Effectuer ensuite un cycle de LAVAGE LÉGER/PORCELAINE (LIGHT/CHINA WASH) avec du détergent. Si ce traitement s'avère nécessaire plus d'une fois tous les deux mois, il est recommandé d'installer un appareil de déferrisation.
Taches blanches sur les ustensiles de cuisson à revêtement anti-adhésif	Enlèvement de la couche protectrice par le détergent pour lave-vaisselle	Appliquer une nouvelle couche de revêtement protecteur sur les ustensiles de cuisson, après le lavage au lave-vaisselle.
Odeurs dans le lave-vaisselle	Vaisselle lavée seulement tous les deux ou trois jours	Effectuer un cycle RINÇAGE ET ATTENTE (RINSE & HOLD) au moins une ou deux fois par jour, jusqu'à ce que le lave-vaisselle soit plein.
Vaisselle ébréchée	Mauvais chargement	Disposer la vaisselle et les verres de façon à ce qu'ils soient stables et ne s'entrechoquent pas pendant le lavage. (Remarque : Certains types de porcelaine et de verre sont trop fragiles pour être lavés au lave-vaisselle. Par exemple, les pièces de vaisselle ancienne, celles à bords en biseau et autres.) Manipuler les paniers en douceur pour minimiser les risques d'ébrèchures.
Filtre amovible exigeant des nettoyages fréquents	Le filtre n'est pas fixé convenablement Le gicleur du laveur est obstrué Vaisselle non raclée avant le chargement	S'assurer que le filtre amovible est bien placé en dessous du laveur. Voir la page 17. Enlever le laveur inférieur — voir la page 16 — et le tourner à l'envers. Le dessous de chaque tube comporte un creux. L'un d'eux possède un trou (gicleur) qui sert à nettoyer le filtre. S'assurer que ce trou n'est pas obstrué. Débarrasser la vaisselle des restes de nourriture, os, cure-dents et autres objets durs, avant de la mettre dans le lave-vaisselle.

Enlèvement de taches et de pellicule

Il est possible de faire disparaître les taches et la pellicule qui se trouvent sur la vaisselle, les verres ou à l'intérieur du lave-vaisselle, à l'aide de produits de décapage. Ces produits sont vendus dans les épiceries, dans la section des détergents. Ils doivent être utilisés selon le mode d'emploi du fabricant.

On peut aussi utiliser du vinaigre de la façon suivante :

1. Disposer la vaisselle et les verres propres dans le lave-vaisselle de la manière habituelle. Ne pas mettre d'argenterie ni aucun objet de métal dans le lave-vaisselle.
2. Fermer et verrouiller la porte et presser le bouton du cycle de LAVAGE LÉGER/PORCELAINE (LIGHT/CHINA WASH). Ne pas utiliser de détergent. Laisser le lave-vaisselle effectuer le premier lavage. Lorsque le lave-vaisselle s'est rempli pour l'étape du lavage principal du cycle, déverrouiller et ouvrir la porte. Ajouter ½ L (2 tasses) de vinaigre. Fermer et verrouiller la porte et appuyer à nouveau le bouton du cycle de LAVAGE LÉGER/PORCELAINE (LIGHT/CHINA WASH).
3. Après que l'eau du rinçage final s'est écoulée, annuler le cycle. Arrêter le lave-vaisselle avant la phase de séchage du cycle.
4. Pour rendre la vaisselle étincelante, verser 30 mL (2 cuillerées à table) de produit adoucissant non moussant dans la section de droite (lavage principal) du distributeur de détergent, et laisser le lave-vaisselle effectuer un cycle complet de LAVAGE LÉGER/PORCELAINE (LIGHT/CHINA WASH).

Changement des panneaux avant

Ce nouveau lave-vaisselle KitchenAid est accompagné d'un ensemble de garnitures en acier inoxydable et de deux panneaux avant installés l'un derrière l'autre. Il est possible de choisir entre amande ou blanc (le devant et l'arrière d'un des panneaux) et noir ou blé doré (le devant et l'arrière de l'autre panneau).

Pour changer la couleur des panneaux, suivre l'une de ces méthodes :

OPTION A : Lorsque l'avant du lave-vaisselle dépasse de plusieurs centimètres l'alignement des armoires.

OPTION B : Lorsque l'avant du lave-vaisselle est aligné avec les armoires.

Danger de choc électrique
Couper l'alimentation électrique au lave-vaisselle avant de changer les panneaux afin d'éviter les risques de choc électrique ou de blessure.

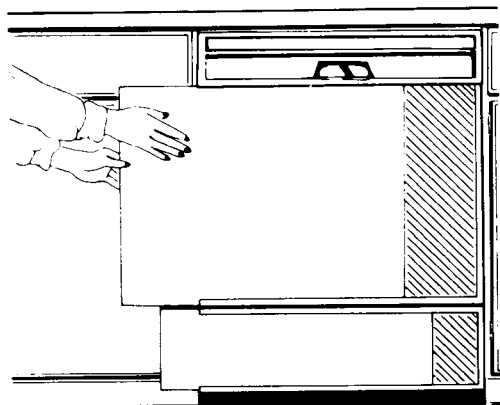
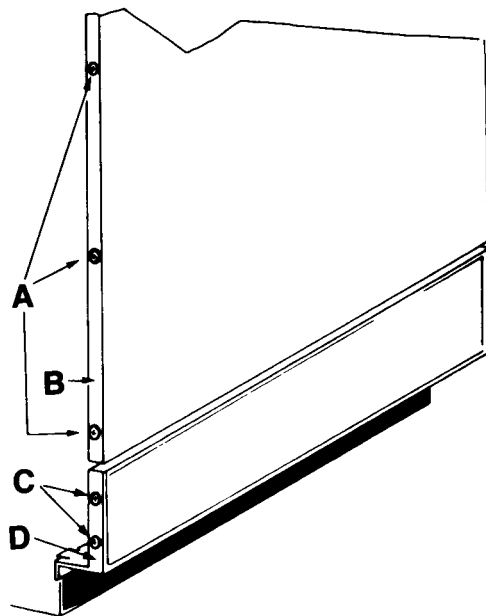
OPTION A

Panneau supérieur :

1. Couper l'alimentation électrique.
2. Ouvrir la porte du lave-vaisselle et enlever les trois vis (A) de l'un ou l'autre des deux côtés de la garniture de la porte (B). Enlever ensuite la garniture ainsi détachée.
3. Retirer le panneau de couleur en le faisant glisser de côté. Prendre garde de ne pas égratigner ni courber le panneau. Tourner le panneau à la couleur désirée, le mettre en place et faire glisser ensuite le panneau de remplissage derrière lui.
4. Remplacer la garniture (B) et les trois vis (A).

Panneau inférieur :

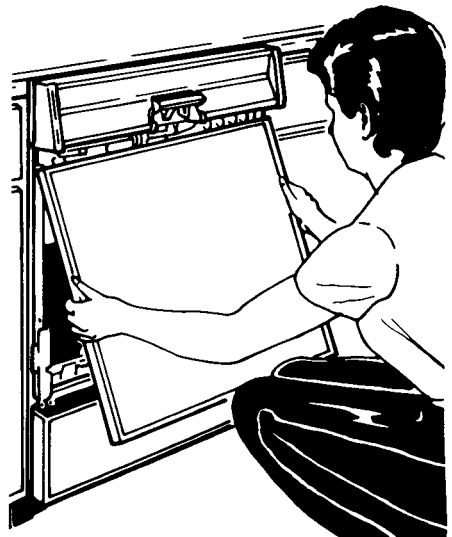
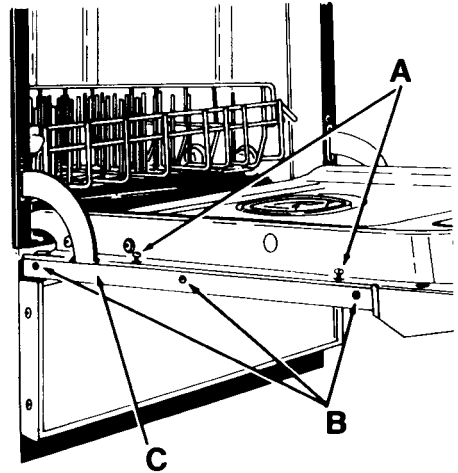
1. Enlever les deux vis (C) situées sur l'un ou l'autre des deux côtés de l'assemblage des panneaux inférieurs. Enlever ensuite la garniture ainsi détachée (D).
2. Retirer le panneau de couleur en le faisant glisser de côté. Prendre garde de ne pas égratigner ni courber le panneau. Tourner le panneau à la couleur désirée, le mettre en place et faire glisser ensuite le panneau de remplissage derrière lui.
3. Remplacer la garniture (D) et les deux vis (C).
4. Rétablir l'alimentation électrique.



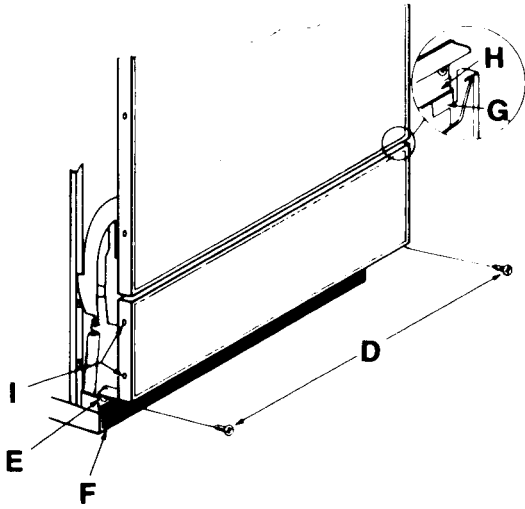
OPTION B

Panneau supérieur :

1. Couper l'alimentation électrique.
2. Ouvrir la porte du lave-vaisselle et enlever les deux vis (A) de chaque côté de la garniture, à l'intérieur de la porte, qui maintiennent en place l'assemblage des panneaux supérieurs.
3. Fermer la porte tout en tenant solidement l'assemblage des panneaux supérieurs en place. Tirer vers soi la partie inférieure de l'assemblage des panneaux jusqu'à ce que la partie supérieure commence à descendre.
4. Déposer l'assemblage des panneaux sur une surface plate et lisse et enlever les trois vis (B) de l'un ou l'autre des deux côtés de l'assemblage des panneaux. Enlever la garniture ainsi détachée (C).
5. Dégager le panneau de couleur en le faisant glisser de côté. Prendre garde de ne pas égratigner ni courber le panneau. Tourner le panneau à la couleur désirée, le mettre en place et faire glisser le panneau de remplissage derrière lui.
6. Replacer la garniture et les trois vis.
7. Tenir solidement l'assemblage des panneaux par les côtés, le soulever et insérer son rebord supérieur sous le tableau de commande (voir l'illustration ci-contre).
8. Maintenir fermement l'assemblage en place et ouvrir la porte.
9. Tenir solidement d'une seule main l'assemblage des panneaux. Replacer les deux vis (A), de chaque côté de la porte du lave-vaisselle, pour bien fixer en place l'assemblage des panneaux supérieurs.
10. Rétablir l'alimentation électrique.



Panneau inférieur :



1. Enlever les deux vis (D) situées sous l'assemblage des panneaux.
2. Saisir le panneau par les coins inférieurs, soulever les pattes de retenue (E) et tirer jusqu'à ce qu'elles se dégagent de la plaque pare-pieds (F).
3. Tirer le panneau inférieur vers le bas jusqu'à ce que ses pattes de fixation latérales (G) se dégagent de la rainure de support (H). Retirer alors le panneau inférieur du lave-vaisselle.
4. Déposer le panneau sur une surface plate et lisse et enlever les deux vis (I) de l'un ou l'autre des deux côtés de la garniture. Enlever la garniture ainsi détachée.
5. Dégager le panneau de couleur en le faisant glisser de côté. Prendre garde de ne pas égratigner ni courber le panneau. Tourner le panneau à la couleur désirée, le mettre en place et faire glisser ensuite le panneau de remplissage derrière lui.
6. Replacer la garniture et les vis (I).
7. Prendre l'assemblage des panneaux inférieurs, le faire glisser vers le haut sur l'avant du lave-vaisselle pour que les pattes de fixation (G) s'insèrent derrière la rainure de support (H). Si l'assemblage des panneaux inférieurs est mal inséré, il risque de se détacher du lave-vaisselle.
8. Lever les pattes de retenue (E) de l'assemblage des panneaux et pousser la partie inférieure de l'assemblage vers l'arrière, jusqu'à ce que les pattes de retenue (E) reposent sur la plaque pare-pieds (F).
9. Replacer les vis (D).
10. S'assurer que les assemblages des panneaux supérieurs et inférieurs sont bien en place.
11. Rétablir l'alimentation électrique.

Panneaux avant en option

1. Panneaux en bois et panneaux décoratifs

La garniture avant en acier inoxydable permet d'installer des panneaux décoratifs ou en bois d'une épaisseur de 6 mm (1/4 po), faits sur commande. Certains panneaux en bois ou panneaux décoratifs sont lourds et nécessitent l'installation de ressorts de porte robustes. Ces ressorts peuvent être commandés chez les dépositaires KitchenAid (pièce n° 4171002). Pour de plus amples renseignements concernant l'installation d'un panneau en bois fait sur commande, consulter le Guide d'installation du lave-vaisselle. Si ce guide a été égaré, écrire à :

Directeur
Service à la clientèle
KitchenAid Canada Inc.
1901 Minnesota Court
Mississauga (Ontario)
L5N 3A7

2. Panneaux de couleur unie

Si les quatre couleurs des panneaux fournis avec le lave-vaisselle ne conviennent pas au décor de la cuisine, d'autres panneaux en option peuvent être commandés chez les dépositaires KitchenAid, en diverses couleurs décoratives.

Service après-vente

Marche à suivre

1. Si le lave-vaisselle cesse de fonctionner, vérifier les points suivants avant d'appeler le dépositaire. Il est parfois possible d'éviter ainsi les frais d'un appel de service.

Un fusible a-t-il sauté? Le disjoncteur s'est-il déclenché?

La porte du lave-vaisselle est-elle fermée et verrouillée? Un cycle a-t-il été choisi?

Le flotteur de protection contre le trop-plein est-il bien en place? Voir à la page 17.

L'alimentation d'eau du lave-vaisselle est-elle ouverte?

2. Si le lave-vaisselle ne fonctionne pas bien, consulter le tableau «Problème, cause, solution» avant de faire un appel de service.
3. Si le problème n'est attribuable à aucun des points précités, se reporter à la rubrique «Pour les appels de service», dans la section «Garantie du lave-vaisselle».

Dans toute correspondance concernant le lave-vaisselle, veuillez fournir les renseignements suivants :

- Date
- Nom, adresse et n° de téléphone du propriétaire
- Genre d'appareil
- Marque
- Numéro de modèle
- Numéro de série
- Date d'achat
- Nom et adresse du dépositaire qui a vendu l'appareil
- Nom du représentant du Service après-vente (et son adresse, si elle diffère de celle du dépositaire)
- Emplacement de l'appareil
- Description détaillée du problème et de l'entretien requis

Garantie du lave-vaisselle

DURÉE DE LA GARANTIE :	KITCHENAID PAIERA :	KITCHENAID NE PAIERA PAS :
GARANTIE COMPLÈTE D'UN AN À COMPTER DE LA DATE D'INSTALLATION.	Les pièces de rechange et la main-d'oeuvre requises pour réparer toute défectuosité de matière ou de fabrication. Seul un bureau de service autorisé par KitchenAid peut effectuer les réparations.	A. Les appels de service pour : 1. Rectifier l'installation du lave-vaisselle. 2. Donner des instructions concernant l'utilisation du lave-vaisselle. 3. Remplacer des fusibles ou rectifier l'installation électrique du domicile. 4. Rectifier la plomberie du domicile.
GARANTIE LIMITÉE DE CINQ ANS : GARANTIE COMPLÈTE DURANT LA PREMIÈRE ANNÉE ET GARANTIE LIMITÉE DE LA DEUXIÈME À LA CINQUIÈME ANNÉE À COMPTER DE LA DATE D'INSTALLATION.	Les pièces de rechange (frais de main-d'oeuvre non compris) concernant le moteur de 0,37 kW (½ hp), si ces pièces présentent une défectuosité de matière ou de fabrication.	B. Les réparations de dommages causés par un usage autre qu'un usage domestique normal du lave-vaisselle.
GARANTIE LIMITÉE DE DIX ANS : GARANTIE COMPLÈTE DURANT LA PREMIÈRE ANNÉE ET GARANTIE LIMITÉE DE LA DEUXIÈME À LA DIXIÈME ANNÉE À COMPTER DE LA DATE D'INSTALLATION.	Les pièces de rechange (frais de main-d'oeuvre non compris) pour la cuve ou la contre-porte en acier revêtu de porcelaine TriDura*, si une fuite se produit en raison d'une défectuosité de matière ou de fabrication.	C. Les dommages causés par un accident, une modification, un usage non approprié ou abusif, une installation fautive ou non conforme aux codes locaux d'électricité ou de plomberie. D. Les frais de main-d'oeuvre durant la garantie limitée. E. Les pièces de rechange ou les frais de main-d'oeuvre pour des appareils utilisés en dehors du Canada. F. La prise et la remise de l'appareil. Ce produit est conçu pour être réparé à domicile.

KITCHENAID CANADA INC. N'ASSUME AUCUNE RESPONSABILITÉ POUR LES DOMMAGES FORTUITS OU INDIRECTS.

POUR LES APPELS DE SERVICE

- Téléphonnez d'abord à votre dépositaire ou au service d'entretien qu'il vous recommande.
- Si, pour une raison quelconque, il n'est pas disponible, ou si vous habitez maintenant une région autre que celle où vous avez acheté l'appareil, consultez les Pages Jaunes de votre annuaire téléphonique, sous la rubrique «Lave-vaisselle». Vous y trouverez une liste des divers bureaux de service autorisés par KitchenAid.
- Si vous n'obtenez pas un service satisfaisant, veuillez communiquer avec le Centre de service après-vente KitchenAid le plus proche.

Vous trouverez la liste de ces centres dans les Pages Jaunes de n'importe quel annuaire téléphonique d'une agglomération, sous la rubrique «Lave-vaisselle».

- Tous les appels de service doivent être traités par le dépositaire régional qui vous a vendu l'appareil, par un bureau de service autorisé par KitchenAid. Si ces derniers ne vous donnent pas un service satisfaisant, veuillez communiquer avec le Service à la clientèle, KitchenAid Canada Inc., 1901 Minnesota Court, Mississauga (Ontario) L5N 3A7. N° de téléphone : (416) 821-6606.

Les spécifications peuvent être modifiées sans préavis.