



WARNING: To reduce the risk of fire, explosion, electric shock, or personal injury, read the **IMPORTANT SAFETY INSTRUCTIONS** before operating your washer.

DO NOT USE AN EXTENSION CORD TO OPERATE A WASHER.

READ THESE OPERATING INSTRUCTIONS CAREFULLY BEFORE YOU USE THE WASHER AND RETAIN FOR FUTURE REFERENCE.

Before operating your washer be sure that all installation requirements are met. SEE **INSTALLATION INSTRUCTIONS**.

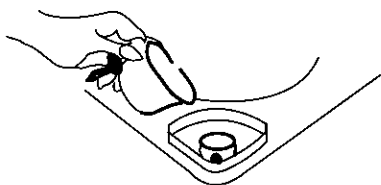
TO OPERATE:

Be sure washer drain hose is in drain. Water fill hoses should be attached and faucets fully opened.

1 LOAD BLEACH DISPENSER, if desired (maximum one cup).

CAUTION: Never pour chlorine bleach directly onto clothes.

The Bleach Dispenser is located at the left front corner of the door opening on the cabinet top.



The Bleach Dispenser requires no special care for cleaning. However, to avoid damage to chromed and painted surfaces, any spilled bleach should be rinsed off immediately with clean water.

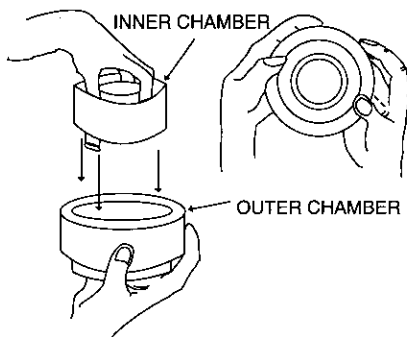
See Laundering Guide for full information on use of bleach. Load the Dispenser (maximum one cup) **BEFORE YOU LOAD THE CLOTHES INTO THE WASHER.**

2 MEASURE DETERGENT, place in washer basket.

3 LOAD CLOTHES loosely in washer. Maximum load is to top of agitator.

4 LOAD LIQUID DISPENSER, if desired. Fabric softener with regular cycles or liquid detergent with Stain-Cleaner cycles. Clean between uses.

LIQUID DISPENSER



The dispenser may be used for fabric conditioner with regular cycles or liquid detergent with the Stain-Cleaner cycles. Dispenser should be cleaned after use of liquid detergent.

Following the manufacturer's instructions, pour a measured amount of liquid into inner chamber to fill line only. If liquid used comes below line, add water. The dispenser will release the liquid at the appropriate time in the cycle.

If it becomes necessary to clean dispenser, hold dispenser with bottom side up and push inward on tabs. You are then able to clean both parts using warm water and a brush if necessary.

To reassemble, hold both pieces in an upright position. Insert the inner chamber into outer chamber using ribs to position parts. Rotate until a stop is felt. Push parts together firmly to engage locking tabs.

5 CLOSE LID.

6 PUSH START. This activates the washer and allows time for you to make selections.

7 SELECT CYCLE. The Permanent Press cycle has been preselected. This means that normal agitation/slow spin speeds, warm wash/cold rinse, and high water level lights will glow. If **START** is pressed the washer will proceed thru the Permanent Press cycle.

COTTONS AND LINENS provides 15 minutes of normal agitation and fast spin speeds. Colorfast is preset on hot wash/cold rinse and high water level. Non-Colorfast is preset to give a warm wash/cold rinse and high water level.

MANUAL OPTIONS

The Automatic Cycles can be customized to your needs by using the Manual Options (Speed, Temp., and Level). Select options at the beginning of the cycle. If one is overlooked press **PAUSE** and make selection while washer is in fill. Indicator lights illuminate option selected. Some combinations of Automatic Cycles and Manual Options also vary time. Washer will beep if a selection cannot be made.

STAIN-CLEANER CYCLES:

Eliminate the need for prespot product while providing comparable stain removal performance. Add liquid or granular detergent (step 2), then place liquid detergent in the liquid dispenser (step 4). Clothes soak for 30 minutes with several brief minutes of agitation. Water is spun out and clean wash water is added along with liquid detergent for a 15 minute wash.

STAIN-CLEANER I provides a hot water soak and wash with a cold rinse. This cycle is recommended for most cotton fabrics (check manufacturers labels). Use for diapers, baby formula, cosmetics, and most oil based stains.

If this is not the cycle desired, choose cycle which best describes the type of fabric to be washed. The proper wash and spin speeds as well as the water temperature are automatically provided and indicated. If different speeds, water level or temperature is desired, use Manual Options. Indicator lights will glow when selection is made. Washer will beep when selections cannot be made.

8 WATER LEVEL: Preset on HIGH. To change, touch **LEVEL** until desired setting is shown. Determine setting based on load size

PERMANENT PRESS preset to provide warm wash/cold and 12 minutes of normal agitation. Slow spin speeds and three spray rinses help reduce wrinkling.

MIXED LOADS provides cold wash and rinse temperatures, 12 minutes of slow agitation, and slow spin speeds.

DELICATES provides 10 minutes of intermittent slow agitation and a slow spin speed. Cold wash and rinse have been preset.

AUTOMATIC CONTROLS

COTTONS-LINENS COLOR FAST
 COTTONS-LINENS NON COLOR FAST
 PERMA PRESS
 MIXED LOADS
 DELICATES

MANUAL CONTROLS

NORMAL-FAST HOT-COLD HIGH
 NORMAL-SLOW WARM-COLD MEDIUM
 SLOW-FAST COLD-COLD LOW
 SLOW-SLOW EXTRA LOW

SPEED TEMP LEVEL

STAIN CLEANER I
 STAIN CLEANER II
 SOAK TO WASH
 QUICK WASH
 EXTRA RINSE

STAIN-CLEANER II provides a warm water soak and wash with a cold water rinse. As in Satin-Cleaner I, water and detergent are refreshed. This cycle should be used with polyesters and blends (check manufacturers recommendations). Grass, Ketchup, Soil, and Juices are among stains that respond well to this type of treatment.

SOAK-TO-WASH eliminates the inconvenience of wash tub soaking of stained clothes before the wash cycle. Soak-to-Wash provides a 15 minute soak which automatically proceeds into a 15 minute wash without pump out of wash water. Brief periods of agitation are used to thoroughly dissolve detergent.

QUICK WASH reduces wash time of any cycle except Stain-Cleaner by 50% with no effect on rinse or spin times.

EXTRA RINSE adds an additional rinse fill, 4 minutes of agitation, and 5 minutes of spin. The agitation and spin speeds correspond to cycle selected.

(see table). Selection should provide sufficient water to permit clothes to circulate during agitation.

It may become necessary, due to bulky fabrics, to adjust the water level after agitation begins. To adjust for higher water level in wash, touch OFF then reactivate unit and make new selections. (Steps 6 thru 9.) If higher or lower water level is desired only in rinse, touch LEVEL until desired water level is selected. Machine will automatically go to that level for rinse.

Water Saver Control Setting	Dry Weight of clothes (Pounds)	(Kilo-grams)
High	12—20	(5.4 to 9.1)
Medium	6—12	(2.7 to 5.4)
Low	2—6	(.9 to 2.7)
Extra Low	2 or under	(.9)

9 TO START - Push START/PAUSE. You may stop the washer at any time. Push PAUSE to remain in the cycle and START to resume. Push OFF to turn off the washer.

10 STOPS AUTOMATICALLY when wash cycle is completed.

11 TURN OFF FAUCETS when not using washer. This is to protect the water fill hose against excessive pressure.

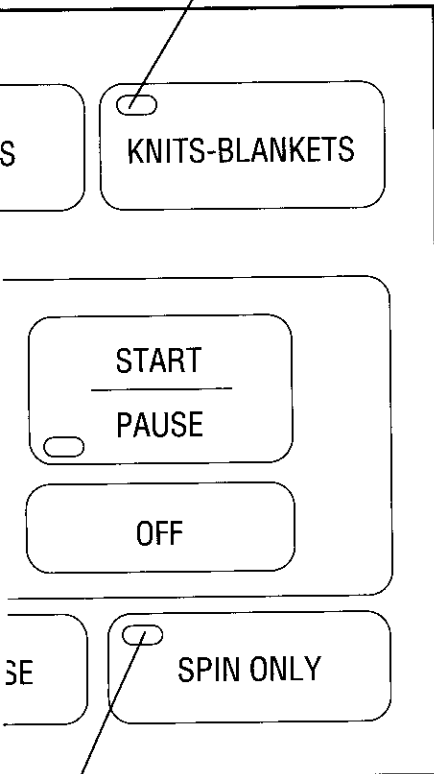
NOTE: AS DAMAGE TO THE ELECTRONICS MAY OCCUR, SERVICING SHOULD BE DONE BY A QUALIFIED TECHNICIAN.

SPIN DRYING

OUT-OF-BALANCE LOADS:

Your washer is designed to handle out-of-balance loads without shutting down or interrupting the wash-

KNITS AND BLANKETS - washer fills with warm water and agitates slow for 10 minutes, followed by a cold rinse. Fast spin speeds remove excess moisture.



SPIN ONLY - Washer will drain and spin for 4 minutes at fast spin speed. Use for draining washer after cancelling a cycle or after a power failure. It can also be used to spin water from a hand washed item. Spin Only can be selected at any time during a cycle. Washer can be turned OFF during Spin Only but Pause will not be accepted.

ing cycle. The cycle will always be completed, but clothes in this cycle may contain excessive moisture. Re-distribute the clothes in the washer and activate washer selecting Spin Only. Push start for extra spin.

SAFETY SPIN: If for any reason you open the washer lid when the washer is in a SPIN or EXTRACT period, the operation will immediately stop. IF YOUR WASHER DOES NOT STOP, CALL YOUR SERVICEMAN IMMEDIATELY. When the lid is closed, push start and the operation will automatically be resumed.

POWER FAILURE: If a power failure occurs during a cycle, restart and use SPIN ONLY to drain the washer. Start a new cycle.

OVERLOAD PROTECTOR

A built-in protector automatically shuts off the washer motor in case of an overload. This can occur if:

- Too heavy a load is being washed.
- Too many appliances are plugged into the line operating your washer.
- A low voltage condition exists on the line.
- Lid is opened and closed repeatedly.

The overload protector permits the washer to start again when the motor has cooled to a safe operating temperature.

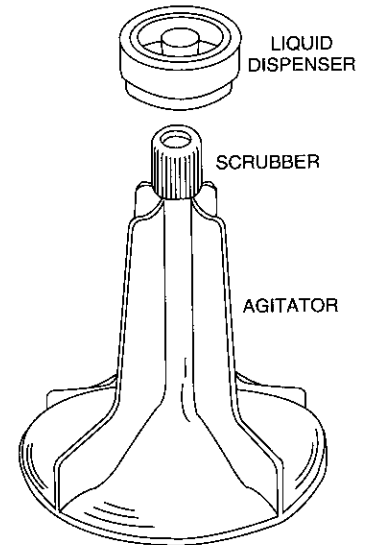
If the motor stops repeatedly, call your service technician.

LINT FILTERING SYSTEM (AUTOMATIC)

The Lint Filtering system does not require cleaning.

Wash and rinse water is filtered and re-filtered continuously to trap lint shed by most fabrics during agitation cycle before it can be re-deposited on the wash load. The engineered hole design on the wash basket in conjunction with water

flow produced by the agitator traps lint away from the clothes between the inner wash basket and outer tub. Lint is automatically flushed from the washer during the spin cycle.



SCRUBBER

The Scrubber, located on the agitator, can be used for pre-treating heavily soiled items. Use a paste made from detergent and water and apply to the soiled area. Work the paste in by moving the material back and forth over Scrubber surface. The Scrubber is most helpful in treating soil on necklines, socks, and knees of trousers.

Washing Guide

----- AUTOMATIC CYCLES -----

	WASH	RINSE	AGITATE	FINAL SPIN	REGULAR/QUICK WASH	
COTTON & LINEN						
COLORFAST	HOT	COLD	NORMAL	FAST	15	7.5 MIN.
NON COLORFAST	WARM	COLD	NORMAL	FAST	15	7.5 MIN.
PERMANENT PRESS MIXED LOADS	WARM	COLD	NORMAL	SLOW	12	6 MIN.
	COLD	COLD	SLOW	SLOW	12	6 MIN.
DELICATES	COLD	COLD	SLOW (INTERMITTENT)	SLOW	10	5 MIN.
KNITS-BLANKETS	WARM	COLD	SLOW	FAST	10	5 MIN.
SOAK-TO-WASH	USED WITH ANY OF THE ABOVE CYCLES				15 + CYCLE SELECTED	
STAIN-CLEANER I	HOT/HOT	COLD	NORMAL	FAST	30+15 MIN.	
STAIN-CLEANER II	WARM/WARM	COLD	NORMAL	FAST	30+15 MIN.	

ENERGY SAVER - MANUALLY SELECT COLD WASH AND COLD RINSE WITH ANY CYCLE.

CAUTION

Care should be exercised when using a prespotting agent since it may damage printing or control panel finishes. Spraying over or into the basket will reduce this possibility.

Safety Precautions

IMPORTANT SAFETY INSTRUCTIONS FOR THE OPERATION OF YOUR CLOTHES WASHER

⚠ WARNING: TO REDUCE THE RISK OF FIRE, EXPLOSION, ELECTRIC SHOCK, OR PERSONAL INJURY WHEN USING YOUR WASHER, FOLLOW BASIC SAFETY PRECAUTIONS INCLUDING THE FOLLOWING:

1. READ ALL INSTRUCTIONS CAREFULLY BEFORE USING THE WASHER. RETAIN ALL INSTRUCTIONS FOR FUTURE REFERENCE.

2. PROPERLY INSTALL AND LOCATE in accordance with the Installation Instructions.

MUST BE PROPERLY GROUNDED-See Installation Instructions.

SHOULD ANYONE get an ELECTRIC SHOCK from the washer, disconnect electrical power. DO NOT OPERATE until it has been repaired by a qualified service technician.

INSTALL OR STORE where it will NOT be exposed to temperatures below freezing or exposed to the weather.

CONNECT to a properly rated, protected, and sized power supply circuit. See Electrical Requirements.

CONNECT to adequate plumbing and drain facilities.

HAVE A QUALIFIED SERVICE TECHNICIAN install your washer.

3. TO PREVENT INJURY TO CHILDREN:

DO NOT ALLOW children to play inside, on, or with the washer.

CLOSE SUPERVISION of children is necessary when using washer.

WHEN CHILDREN are mature enough, instruct them in the safe, correct use of the washer.

KEEP ALL LAUNDRY AIDS out of the reach of children preferably in a locked cabinet. USE laundry aids only as directed by manufacturer observing all warnings on container labels.

DESTROY THE CARTON AND PLASTIC BAGS after unpacking the washer. Cartons covered with rugs, bedspreads, or plastic sheets can create a chamber with inadequate ventilation.

REMOVE THE DOOR to the washing compartment before the washer is removed from service or discarded.

4. DO NOT REACH INTO the washer if the tub or agitator is moving. The washer is equipped with a safety switch for your protection. If action does not stop when the washer lid is opened during the Spin Cycle, disconnect the electrical power to the washer. Do not operate the washer until it has been repaired by a qualified service technician.

5. DO NOT TAMPER with the Operating Controls.

6. TO PREVENT PERSONAL INJURY and damage to the washer, DO NOT repair or replace any part of the wash-

er or attempt any servicing. SERVICING should be referred to a qualified service technician.

7. DO NOT WASH FIBERGLASS ARTICLES unless recommended by manufacturer.

8. FLAME RETARDANT FINISHES - improper laundering could remove them. FOLLOW garment manufacturer's instructions carefully.

9. WHEN MOVING, have the washer checked and properly installed by a qualified service technician.

⚠ WARNING

10. DO NOT ADD gasoline, dry-cleaning solvents, or other flammable or explosive substances to the wash water. These substances give off vapors that could ignite or explode.

11. DO NOT WASH ARTICLES which have been previously cleaned, washed, soaked, or spotted with gasoline, dry-cleaning solvents, oil, waxes, chemical solvents, alcohol, turpentine, or other flammable or explosive materials. These substances will be retained in articles, and articles which still contain these flammable or explosive substances give off vapors that could ignite or explode.

12. OBSERVE THESE PRECAUTIONS WHEN USING CLEANING FLUIDS, SPOT OR STAIN REMOVERS, ETC.

Products should be labeled "NONFLAMMABLE," Use according to MANUFACTURER'S DIRECTIONS in a well VENTILATED AREA or outdoors. Thoroughly RINSE ARTICLES by hand before placing them in the washer. Some of these products-rust removers for example - will damage components and the finish of the washer.

FIRE HAZARD

13. KEEP AREA around and underneath washer free from the accumulation of combustible materials, such as lint, paper, rags, gasoline, and all other flammable vapors and liquids.

14. HYDROGEN GAS IS EXPLOSIVE and under certain conditions, hydrogen gas may be produced in a hot water system that has not been used for two weeks or more. If the hot water system has not been used for such a period, BEFORE USING THE WASHER, turn on all hot water faucets and let the water flow from each faucet for several minutes. This will release any accumulated hydrogen gas. As this gas is flammable, DO NOT SMOKE or use an open flame during this procedure.

15. Recent studies have shown that if vegetable oil contaminated materials are incompletely washed a carry-over and buildup of the oil may contribute to a chemical reaction (spontaneous combustion) that could cause a load to catch fire by itself. This would be more likely to happen if the load were left in the dryer after tumbling stopped or if items were folded and stacked while warm.

For service, call or write the authorized dealer in your area or write:

MAYTAG CUSTOMER SERVICE

240 Edwards Street S.E., Cleveland, Tennessee 37311

Attn: Customer Relations Dept.

1-800-688-1120

SAVE THESE INSTRUCTIONS

PRINTED IN U.S.A.

Part No. 35-4112

378512

Before You Call Service

CHECK THESE THINGS BEFORE YOU CALL.

If the water won't drain:

- is the hose kinked or knotted?
- is the drain outlet clogged?

If the washer does not fill:

- is the electrical cord plugged in correctly?
- has a fuse blown or is the circuit breaker tripped?
- is the timer dial pulled out?
- are the hot and cold water faucets turned on?
- are the hoses kinked or knotted?
- are the hose filters clogged?

If the water is leaking:

- are the hose connections tight at the faucets?
- is end of drain hose correctly inserted in and secured to drain facility?

Turn off, let stand for 30 minutes then restart. Motor thermal protector may have engaged.

If the water temperature is incorrect:

- is the temperature switch set correctly?
- are the hoses connected to the correct faucets (hot to hot, cold to cold)?
- are the hot and cold faucets turned on?
- is water heater set correctly?

If the washer does not spin:

- is the lid closed?

KEY FACTS: AUTOMATIC WASHERS

BRAND NAME: MAGIC CHEF CANADIAN
MODEL NO. W209KC
TYPE: TOP LOADING

DIMENSIONS:

Cabinet Height: 36" (91.4 cm)
w/Backguard: 44" (111.7 cm)
w/Lid Open 54" (137.2 cm)
Width: 27" (68.5 cm)
Depth: 27" (68.5 cm)

ELECTRICAL REQUIREMENTS:

Volts: 120V
Amps: 11.5
Hertz: 60 Hz
Three-prong
grounding receptacle:
Yes
Fuse Size: 15 amp.
time delay

Water Consumption/Normal Cycle
(maximum and minimum fills)
Max - 47 Gal. Min - 20 Gal.

Description of water temperature
Selection: 3 Combinations
Hot Wash-Cold Rinse
Warm Wash-Cold Rinse
Cold Wash-Cold Rinse

Number, types of-

Spin speeds: Fast - 600 R.P.M.
Slow - 400 R.P.M.
Wash speeds: Normal - 68 O.P.M.
Slow - 44 O.P.M.

4 Speed Combinations

Normal Agitation - Fast Spin
Normal Agitation - Slow Spin
Slow Agitation - Fast Spin
Slow Agitation - Slow Spin

FINISHES -

Wash Basket: Polypropylene
Collector Tub: Polypropylene
Top Surface: Organic Finish
Loading Door: Organic Finish
Cabinet: Painted

Dispensers Available

Bleach Yes
Liquid Dispenser Yes

WEIGHT: 192 lbs.

Listed by: Canadian Standard Association



1. Check hoses to be sure there are no kinks or knots.
2. Your washer should not be installed or stored where temperature will go below freezing, as damage to the washer could result.
3. Occasionally wipe exterior with a clean damp sponge or cloth. Polish with a soft dry cloth.
4. Lifetime lubrication is done at the factory, so your washer never needs to be oiled or greased.
5. Do not lay heavy or sharp objects on top of your washer.
6. The top of the washer should not be used for removing stains from garments. Some stain removers, such as rust remover, will mar the finish.
7. Remove pins, buckles or other sharp objects from clothes to prevent scratching interior parts.
8. Clothes should not be stored in washer.
9. Bleach, detergent, solvents, etc. spilled on the top of your washer that are allowed to remain will remove the glossy finish. Remove all spills with a damp, soft cloth.
10. If you close your home for the winter, have a serviceman drain the washer. Unplug cord from electric outlet and disconnect hoses from faucets.