

FRIGIDAIRE

Factory Parts Catalog

Product No.	BAFW3577KW1
Series	Best Buy
Market	North America
Color	white
Volts	120
Wiring Diagram	137112700
Owner's Guide	137168300
Energy Guide	137236700
Installation Instructions	137168200

 **Electrolux**

Electrolux Major Appliances
North & Latin America
P.O. BOX 212378
AUGUSTA, GA 30917

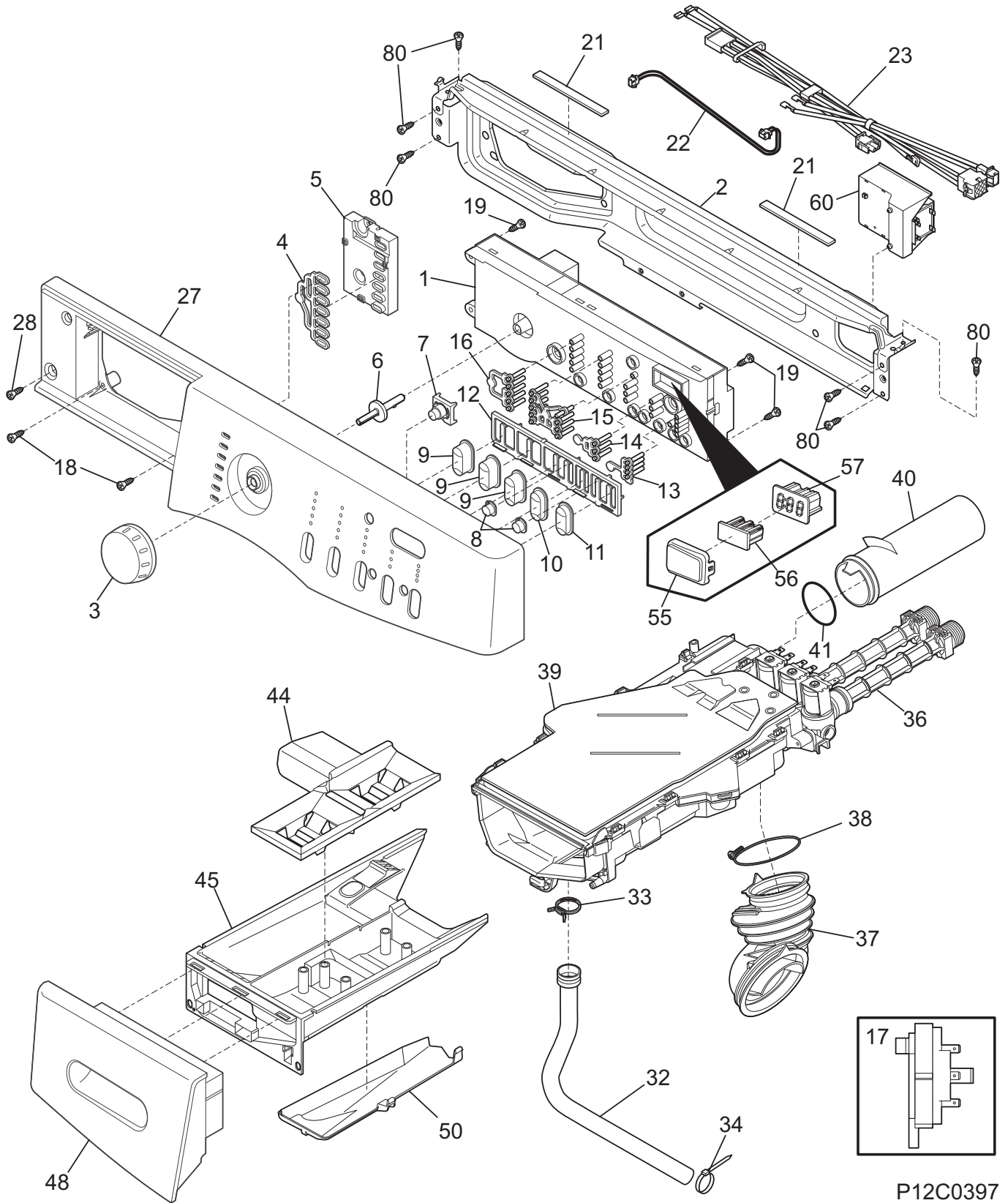
Publication No.
5995554028
09/10/19
(EN/SERVICE/WTC)
154

**FRONT-LOAD
WASHING MACHINE**

Model No.
BAFW3577K

Copyright © 2009 Electrolux Home Products, Inc.
All rights reserved.

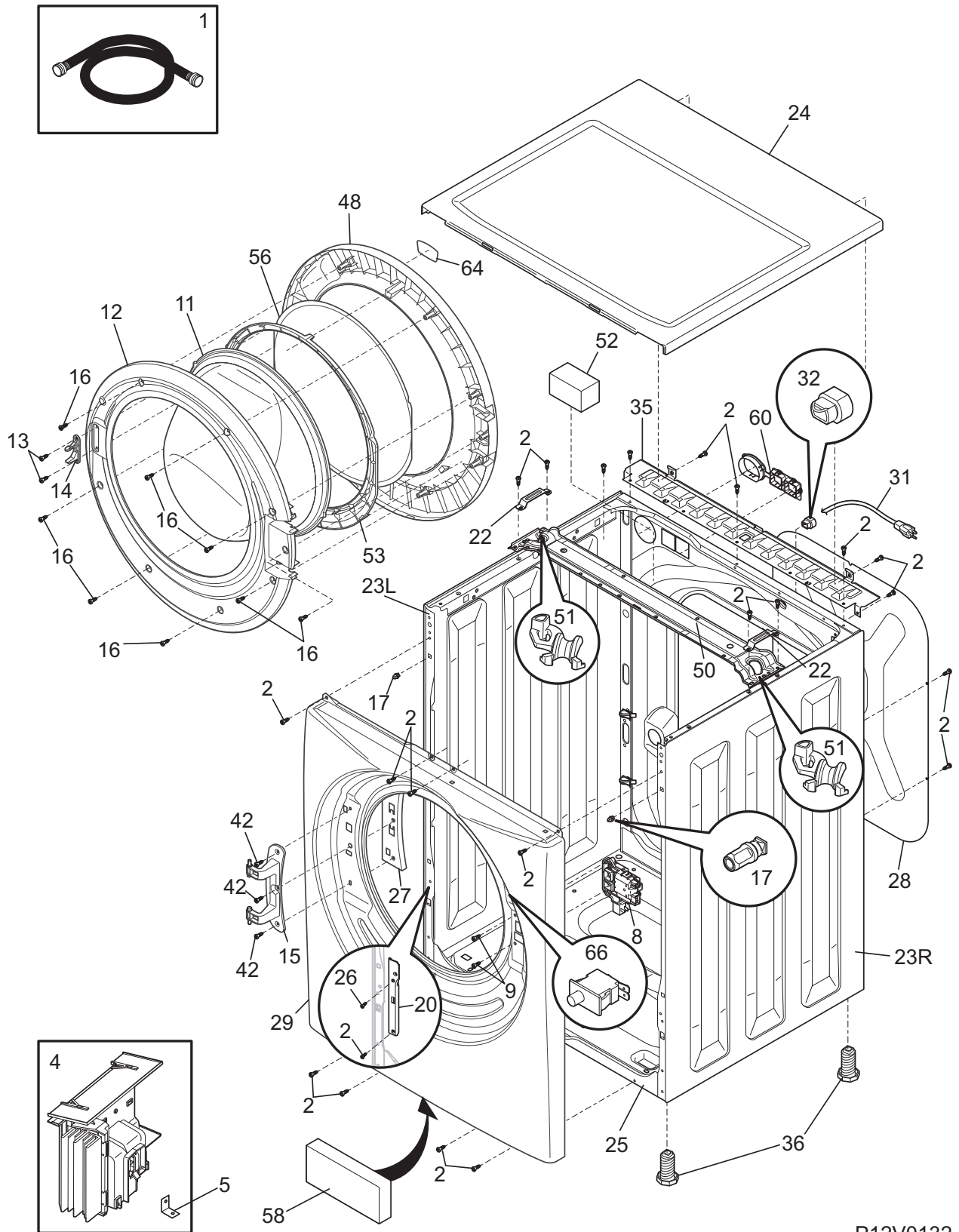
CONTROL PANEL



CONTROL PANEL

POS. NO	PART NO.	DESCRIPTION
1 #	137007010	Control Board, printed circuit, with housing
2	134364800	Bracket, top front
3	134551225	Knob, program, chrome
4	134553100	Light Pipe, program
5 #	134556500	Interface Board, pc, auxiliary
5*	134178901	Screw, 8-18AB x 0.455
6	134347700	Pin, program knob
7	134891500	Push Button, round, #2
8	134555525	Push Button, round, #1
9	134553425	Push Button, oval, #1
10	134555440	Push Button, oval, #2 (soil)
11	134864400	Push Button, oval, start
12	134884900	Spring, push button
13	134557500	Light Pipe, start group
14	134557400	Light Pipe, row of 3
15	134552800	Light Pipe, 5 x 4
16	134600000	Light Pipe, row of 5
17 #	134762000	Switch, pressure
18	131302800	Screw, 10-16AB x 0.375
19	134402900	Screw, Phillips, 6-19 x 0.650
21	134407900	Dampener, vibration
22 #	134602100	Wiring Harness, interface board
23 #	134739500	Wiring Harness, controls
23*#	134887800	Wiring Harness, main
23*#	137215000	Harness, wiring, main
27	137167210	Panel, control console, white
28	131205300	Screw, 10-16 x 0.750
32	134586500	Hose, disp-to-bellows
33	131306216	Clamp
34	5303321209	Cable Tie, 5.60 inch
36 #	134371220	Valve, dispenser, NTC/short tube
36*	131311900	Screw, quadrex ph, 8-18AB x 0.500
37	134372300	Hose, disp-to-tub
38	134372400	Clamp, tub hose
39	134446120	Housing, dispenser, w/valve, cover
39*	134371300	Gasket, disp-to-valve
40	134372100	Tube, disp-to-overflo
41	134372200	O-ring, overflow tube
44	134370200	Cover, dispenser
45	134370000	Drawer, dispenser
48	137168010	Handle/Drawer Assy, white
48*	134555800	Pad, drawer handle, soft touch
50	134370100	Conveyor, dispenser, lower
55	134553200	Lens, digital display
56	134557300	Light Pipe, digital display
57 #	134503300	Display, digital
60 #	134558200	Control, heater, w/transformer
80	134547800	Screw, 10-16AB x 0.375

CABINET/TOP

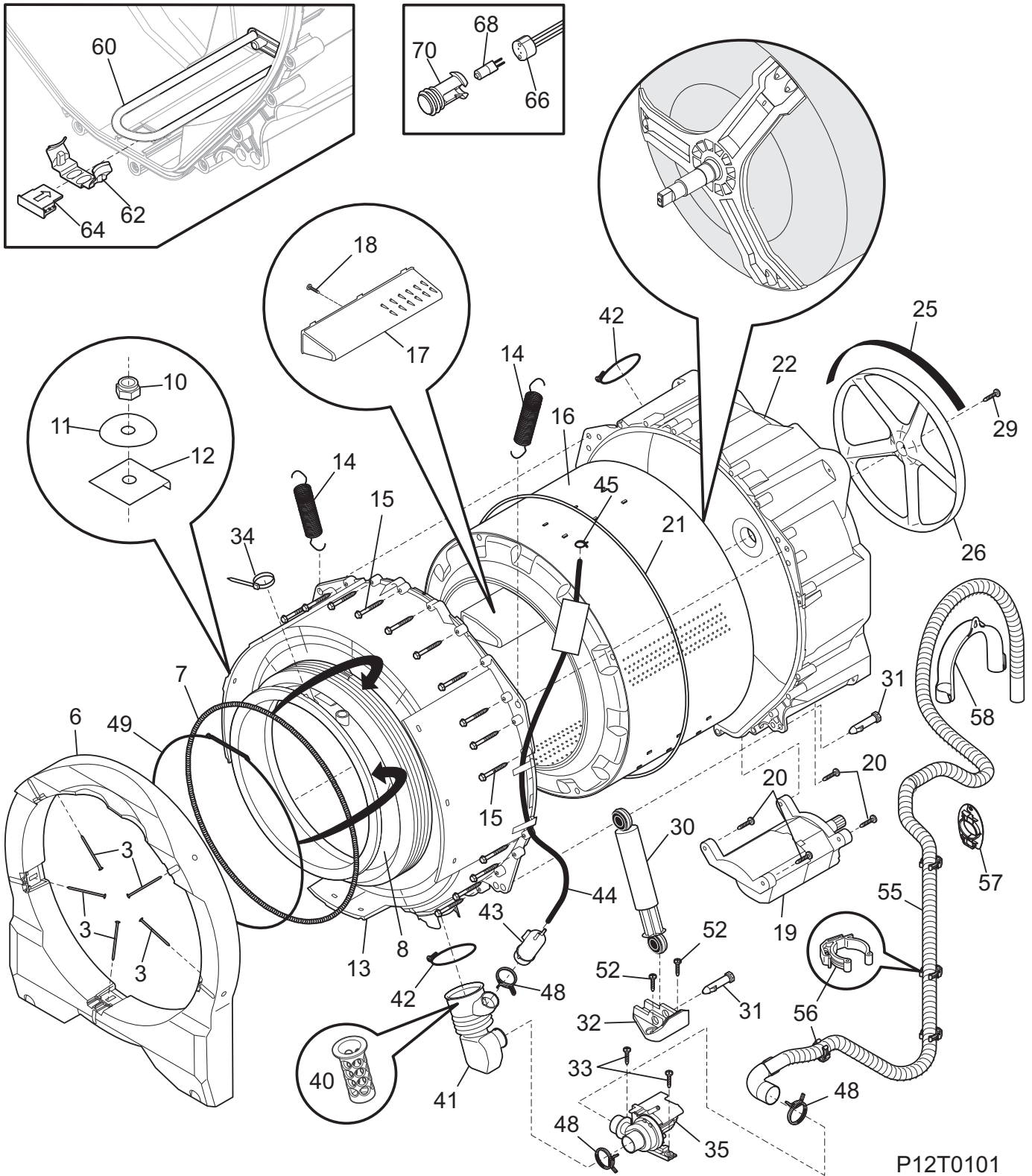


P12V0132

CABINET/TOP

POS. NO	PART NO.	DESCRIPTION
1	131454100	Hose, water inlet, 4 ft., hose & washer
2	131168200	Screw, pan head, 8-18B x 0.31
4 #	134409905	Control Board, motor
4* #	134547600	Wiring Harness, motor control
5	134522900	Bracket, angle, motor control
5*	134178901	Screw, 8-18AB x 0.455
8 #	131763202	Door Lock/Switch Assy
8* #	134603100	Wiring Harness, door switch
9	131303300	Screw, pan head, 10-16AB x 0.500, locking
11	134366400	Panel, door glass
12	134550702	Frame, inner door, gray
13	131302901	Screw, 10-16 x 0.750
14	134456602	Striker, door/lock, gray
15	134550800	Hinge, door, with bushings
16	131205300	Screw, 10-16 x 0.750
17	134638700	Clip, assembly
20	134434901	Bracket, LS panel, reinforcement
20*	134434900	Bracket, RS panel, reinforcement
22	134648500	Bracket-spring, retainer
23L	134775310	Panel, left side, white
23R	134775210	Panel, right side, white
24	134365000	Panel, work top, white
25	134775500	Base, washer
26	134521600	Screw, hex washer head, M5 0.8 x 15
27	134550900	Bracket, hinge, reinforcement
28	134364300	Panel, service access, rear
29	137021810	Panel, front, white
29*	137021600	Bracket, mounting, left, front panel
29*	137021610	Bracket, mounting, right, front panel
31 #	134501000	Power Cord, electric svce
32	5303209428	Bushing, power cord
35	134365100	Bracket, top support, rear
36	134548800	Leveling Leg, screw, plastic
42	134601900	Screw, flat head, M5 x .8 x 17.5
48	134601525	Panel, outer door, chrome
48*	134554500	Pad, outer door
50	134645600	Bracket, tub suspension
51	134655800	Protector, tub suspension, spring hook, (2)
52	131931202	Dampener, vibration, foam
53	134551300	Ring, door transition
56	134550600	Glass, outer door lens
58	131800405	Insulation, noise absorber
60	134372000	Grommet, dispenser, back panel
64	137166825	Nameplate, Affinity
66 #	134813600	Switch, door
*	134591500	Plug Assy, shipping holes, back
*	134629400	Screw, MC5X8.5 TORX, cabinet mtg
*	134876500	Clip, hose, drain, rear-panel
*	134889700	Clip, hose, drain, rear-panel

MOTOR/TUB



P12T0101

MOTOR/TUB

POS. NO	PART NO.	DESCRIPTION
3	131793303	Bolt, carriage, 1/4-20 x 2.60
6	134362200	Counterweight, front, one piece
7	134365300	Spring, bellows clamp, retainer
8 #	134739800	Bellows Kit, boot, w/light hole
10	131304700	Nut, hex, 1/4-20 UNC-2B, (2)
11	131276900	Washer, Bellville, spring steel
12	134430600	Plate, counterweight
13	134362000	Shell, tub, front
14 #	137099300	Spring Assy, suspension
15	131303900	Screw, hex washer head, 1/4-10A x 2.165
16	137105900	Drum Assy, spin basket
17	134361602	Vane Kit, drum
18	131302800	Screw, 10-16AB x 0.375
19 #	134362500	Motor, 120 V
20	131303500	Screw, 12-14AB x 1.50, motor mtg.
21	134361900	O-ring, tub
22	134507130	Shell, outer tub, rear, with bearing
25 #	134051003	Belt, drive, 6-rib
26 #	134362600	Pulley, drum drive, large, rear
29	134408400	Screw, 10.9 class, M10 x 25 mm
30	134560410	Shock Absorber, assembly
31	131268300	Pin, shock mtg.
32	134363200	Bracket, shock mtg.
33	134160900	Screw, washer hd, 10-16AB X 0.75
34	5303321209	Cable Tie, 5.60 inch
35	137108100	Pump, drain
40	134885800	Filter, pump
41	134455900	Hose, coin trap, tub-to-pump
42	134737300	Clamp, hose
43	134369000	Chamber, air
44	134369900	Hose, air pressure
45	131306202	Clamp, hose
48	131306234	Clamp, hose, wire
49	134527100	Clamp, bellows, spring held
52	131202300	Screw, 10-16AB x 0.625
55 #	134889600	Hose, drain-one piece
56	134781400	Fastener, hose clip
57	134641100	Bracket, drain hose mtg, rear
58	134440700	Hanger, drain hose
60 #	134552300	Element, heating, 1000 W
62	134558000	Bracket, heating element
64	134558100	Stop, detente, heating element
66 #	134602000	Receptacle, lamp, door light
68	134554600	Lamp, G4 light bulb, 5 W, 12 V
70	134551600	Diffuser, lamp, door light
*	137236700	Energy Guide

WIRING DIAGRAM

WARNING TO REDUCE THE RISK OF ELECTRICAL SHOCK DISCONNECT THIS APPLIANCE FROM THE POWER SUPPLY BEFORE ATTEMPTING ANY USER MAINTENANCE. TURNING THE CONTROLS TO THE OFF POSITION DOES NOT DISCONNECT THIS APPLIANCE FROM THE POWER SUPPLY.

AVERTISSEMENT POUR RÉDUIRE LE RISQUE DE CHOC ÉLECTRIQUE, DÉBRANCHER CET APPAREIL DE L'ALIMENTATION AVANT DE PROCÉDER À L'ENTRETIEN. EN TOURNANT LES COMMANDES À LA POSITION ARRÊT, L'ON NE COUPE PAS L'ALIMENTATION ÉLECTRIQUE DE L'APPAREIL.

ADVERTENCIA PARA REDUCIR EL RIESGO DE CHUQUE ELÉCTRICO, DESENCHUFE ESTE APARATO DE LA ALIMENTACIÓN ELÉCTRICA ANTES DE EFECTUAR EL MANTENIMIENTO. AL GIRAR LOS CONTROLES A LA POSICIÓN OFF (APAGADO) NO SE CORTA LA ALIMENTACIÓN ELÉCTRICA AL ARTEFACTO.

COMPONENT RESISTANCE TABLE

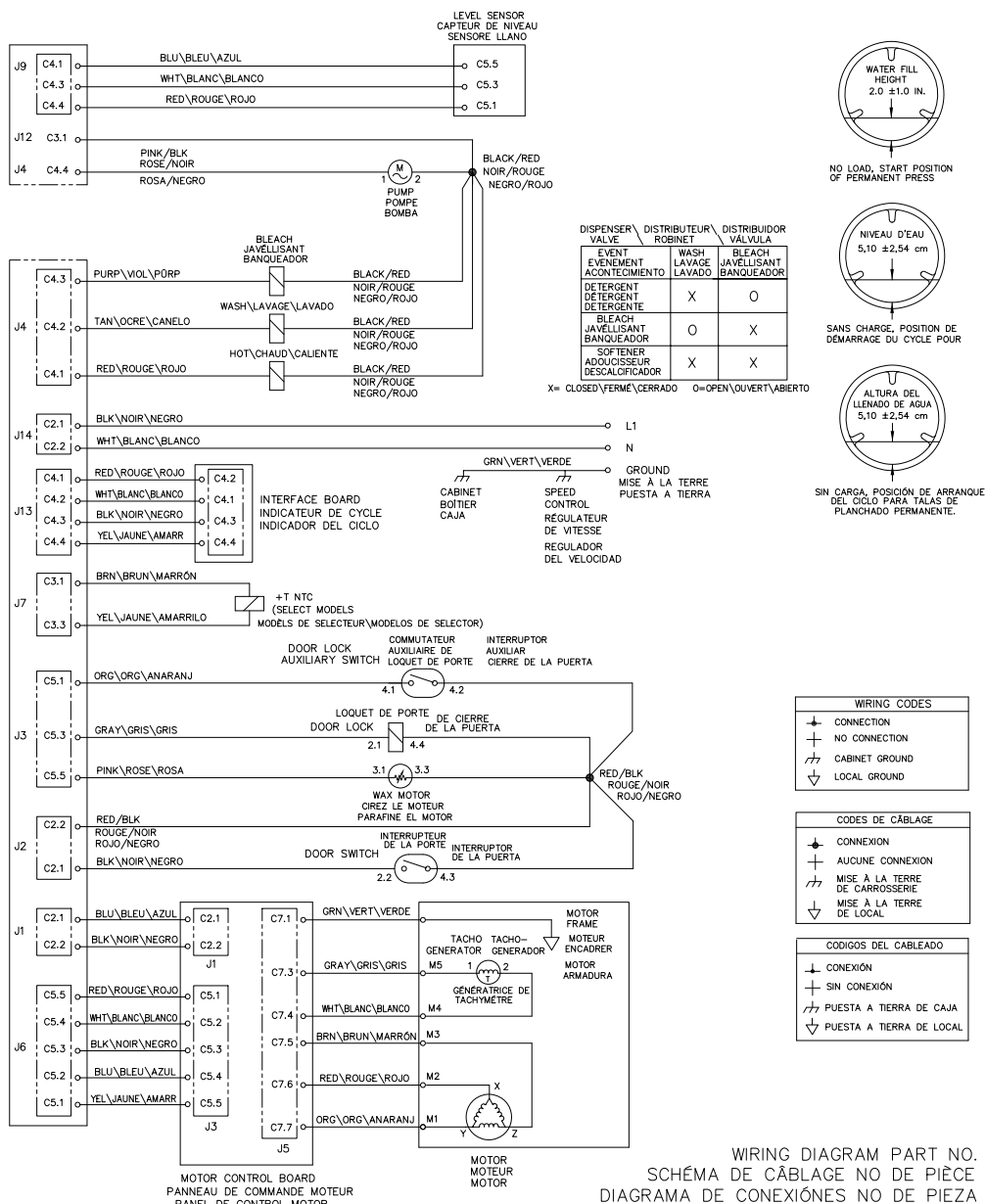
ELECTRICAL COMPONENT	RESISTANCE Ω @ 77° F	
DOOR LOCK SOLENOID	1325 ±10%	
PUMP MOTOR	12.0 ±7%	
DISPENSER VALVE SOLENOIDS	800 ±7%	
MOTOR	M1 TO M2	5.3 ±7%
	M2 TO M3	5.3 ±7%
	M1 TO M3	5.3 ±7%
	M5 TO M4	118 ±7%

TABLEAU DE RÉSISTANCE DES COMPOSANTS

COMPOSANT ÉLECTRIQUE	RÉSISTANCE Ω @ 25° C	
SOLENOÏDE DU LOQUET DE PORTE	1325 ±10%	
MOTEUR DE POMPE	12.0 ±7%	
SOLENOÏDE DU ROBINET DISTRIBUTEUR	800 ±7%	
MOTEUR	M1 VERS M2	5.3 ±7%
	M2 VERS M3	5.3 ±7%
	M1 VERS M3	5.3 ±7%
	M5 VERS M4	118 ±7%

TABLA DE RESISTENCIA DE LOS COMPONENTES

COMPONENTE ELÉCTRICO	RESISTENCIA Ω @ 25° C	
SOLENOIDE DE CIERRE DE LA PUERTA	1325 ±10%	
BOMBA DE MOTOR	12.0 ±7%	
SOLENOIDE DE LA VÁLVULA DEL DISTRIBUIDOR	800 ±7%	
MOTOR	M1 A M2	5.3 ±7%
	M2 A M3	5.3 ±7%
	M1 A M3	5.3 ±7%
	M5 A M4	118 ±7%



WIRING DIAGRAM PART NO. 137112700 A
 SCHÉMA DE CÂBLAGE NO DE PIÈCE
 DIAGRAMA DE CONEXIONES NO DE PIEZA

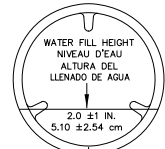
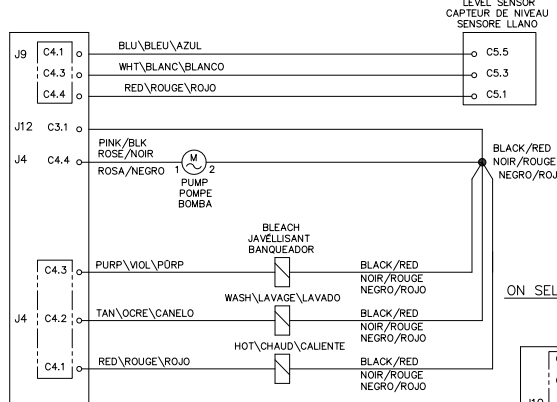
WIRING DIAGRAM

WARNING TO REDUCE THE RISK OF ELECTRICAL SHOCK DISCONNECT THIS APPLIANCE FROM THE POWER SUPPLY BEFORE ATTEMPTING ANY USER MAINTENANCE. TURNING THE CONTROLS TO THE OFF POSITION DOES NOT DISCONNECT THIS APPLIANCE FROM THE POWER SUPPLY.

AVERTISSEMENT POUR RÉDUIRE LE RISQUE DE CHOC ÉLECTRIQUE, DÉBRANCHER CET APPAREIL DE L'ALIMENTATION AVANT DE PROCÉDER À L'ENTRETIEN. EN TOURNANT LES COMMANDES À LA POSITION ARRÊT, L'ON NE COUPE PAS L'ALIMENTATION ÉLECTRIQUE DE L'APPAREIL.

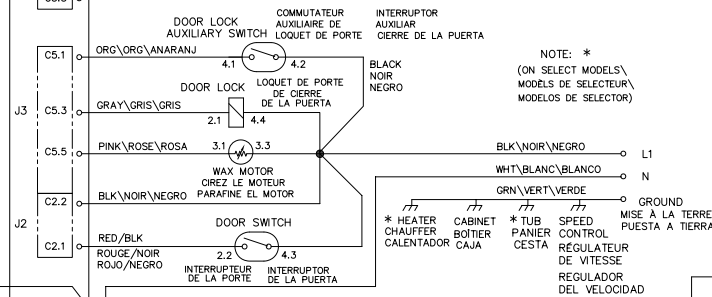
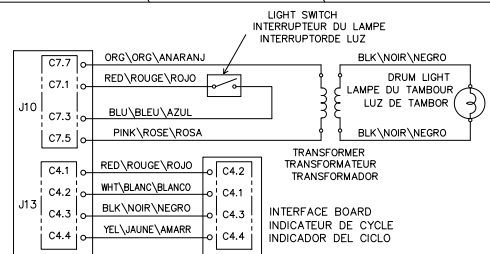
ADVERTENCIA PARA REDUCIR EL RIESGO DE CHOQUE ELÉCTRICO, DESENCHUFE ESTE APARATO DE LA ALIMENTACIÓN ELÉCTRICA ANTES DE EFECTUAR EL MANTENIMIENTO. AL GIRAR LOS CONTROLES A LA POSICIÓN OFF (APAGADO) NO SE CORTA LA ALIMENTACIÓN ELÉCTRICA AL ARTEFACTO.

ON SELECT MODELS\MODELS DE SELECTEUR\MODELOS DE SELECTOR



NO LOAD, START POSITION OF PERMANENT PRESS
SANS CHARGE, POSITION DE DÉMARRAGE DU CYCLE POUR
SIN CARGA, POSICIÓN DE ARRANQUE DEL CICLO PARA TALAS DE PLANCHADO PERMANENTE.

ON SELECT MODELS\MODELS DE SELECTEUR\MODELOS DE SELECTOR



NOTE: * (ON SELECT MODELS\ MODELS DE SELECTEUR\MODELOS DE SELECTOR)

EVENT EVENEMENT ACONTECIMIENTO	WASH LAVAGE LAVADO	BLEACH JAVELISANT BANQUEADOR
DETERGENT DETERGENTE	X	O
BLEACH JAVELISANT BANQUEADOR	O	X
SOFTENER ADOUCCISSEUR DESCALCIFICADOR	X	X

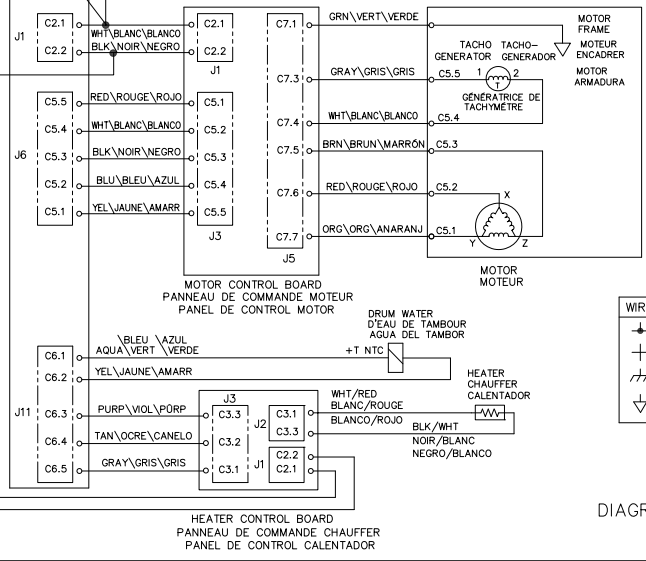
X= CLOSED/FERMÉ/CERRADO
O=OPEN/OUVERT/ABIERTO

COMPONENT RESISTANCE TABLE
TABLEAU DE RESISTANCE DES COMPOSANTS
TABLA DE RESISTENCIA DE LOS COMPONENTES

ELECTRICAL COMPONENT COMPOSANT ELECTRIQUE COMPONENTE ELÉCTRICO	RESISTANCE RESISTANCE RESISTENCIA @ 77°F (25°C)
DOOR LOCK SOLENOID SOLENOIDE DU LOQUET DE PORTE SOLENOIDE DE CIERRE DE LA PUERTA	1325 ±10%
PUMP MOTOR MOTEUR DE POMPE BOMBA DE MOTOR	12.0 ±7%
DISPENSER VALVE SOLENOIDS SOLENOIDE DU ROBINET DISTRIBUTEUR SOLENOIDE VÁLVULA DEL DISTRIBUIDOR	800 ±7%
MOTOR MOTEUR	M1 -- M2 5.3 ±7% M2 -- M3 5.3 ±7% M1 -- M3 5.3 ±7% M5 -- M6 118 ±7%

WIRING CODES, CODES DE CÂBLAGE, CÓDIGOS DEL CABLEADO

+	CONNECTION CONNEXION CONEXIÓN
+	NO CONNECTION AUCUNE CONNEXION SIN CONEXIÓN
⌋	CABINET GROUND MISE À LA TERRE DE CARROSSERIE PUESTA A TIERRA DE CAJA
⌋	LOCAL GROUND MISE À LA TERRE DE LOCAL PUESTA A TIERRA DE LOCAL



WIRING DIAGRAM PART NO. SCHEMA DE CÂBLAGE NO DE PIÈCE DIAGRAMA DE CONEXIONES NO DE PIEZA
137112700 A