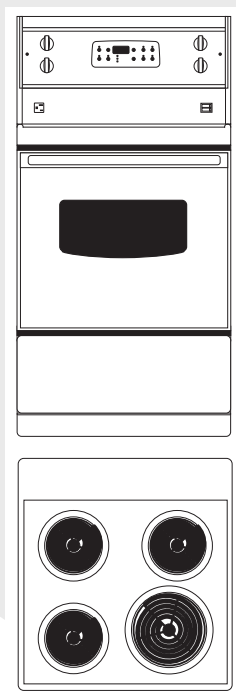


Frigitaire

Factory Parts Catalog



Product No.	CFEF257CS5
	30751235E3015
Series	24" f/s elec
Color	white
Market	Canada
Wiring Diagram	318198612
Owner's Guide	318200441
Service Data Sheet	318047446
Timer Guide	318200183

 **Electrolux**

Electrolux Major Appliances
North & Latin America
5855 TERRY FOX WAY
MISSISSAUGA, ONTARIO, CANADA L5V
3E4

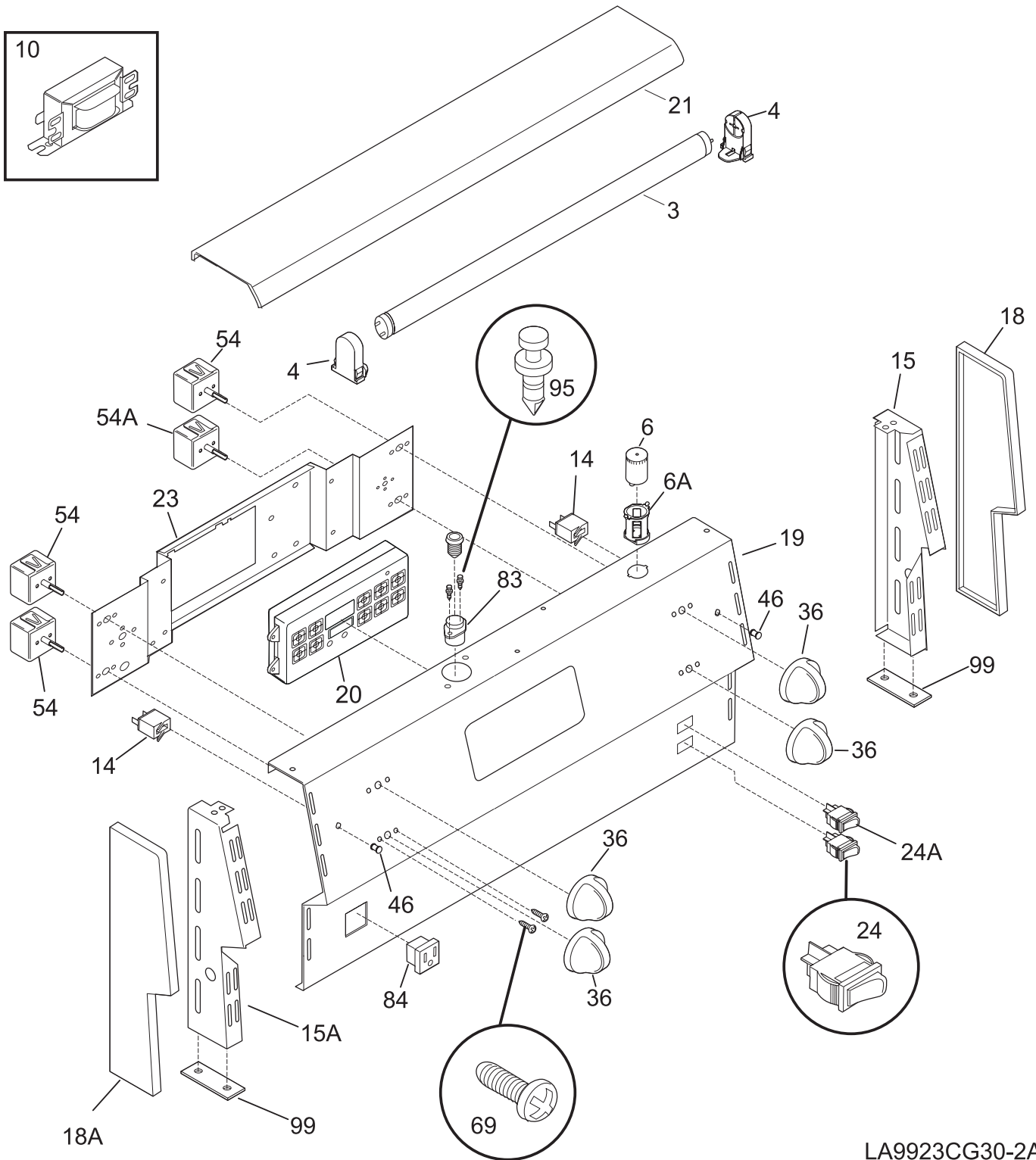
Publication No.
5995551651
09/09/08
(EN/SERVICE/BJH)
377

**24-INCH FREE-
STANDING ELECTRIC
RANGE**

Model No.
CFEF257C

Copyright © 2009 Electrolux Home Products, Inc.
All rights reserved.

BACKGUARD

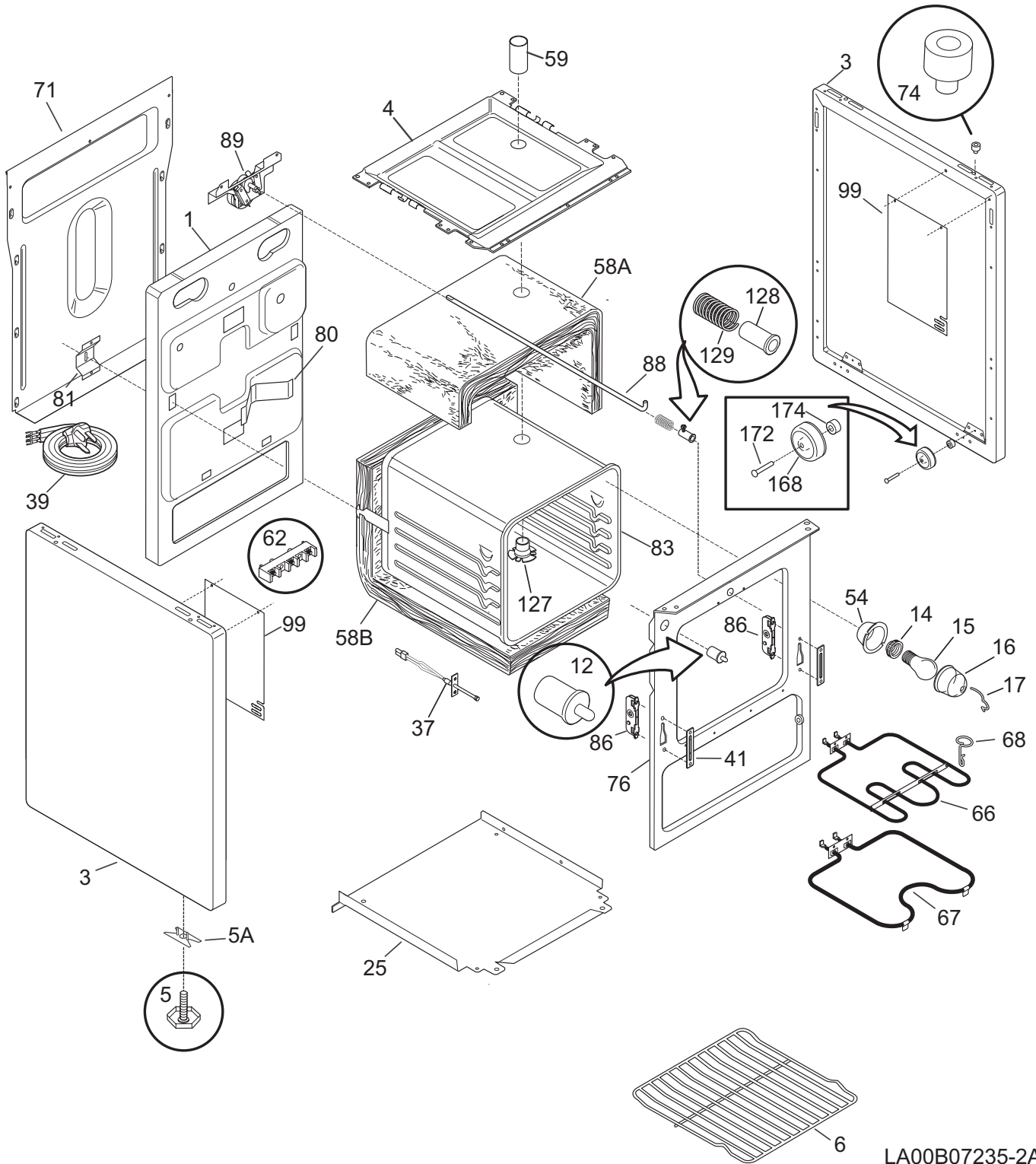


LA9923CG30-2A

BACKGUARD

POS. NO	PART NO.	DESCRIPTION
3	5303324517	Lamp, flourescent, backguard
4	318110300	Receptacle, lamp, RH/LH
6 #	5308068062	Starter, lamp
6A	318110400	Receptacle, starter
10 #	318122807	Ballast, lamp
14 #	318369501	Lamp, indicator
15	5303304000	Bracket, end cap mtg., RH
15A	5303304001	Bracket, end cap mtg., LH
18	318254502	End Cap, white, RH
18A	318254503	End Cap, white, LH
19	318005485	Panel, control, white
20 #	318414201	Clock/Timer, electronic, white, ES300
20A	318214512	Overlay, control, white
21	318350801	Trim, canopy, white, backsplash top
23	318015045	Bracket, clock/timer mtg
24 #	318037513	Switch, rocker, white, oven light
24A#	318037503	Switch, rocker, white, flourescent
36	318197620	Knob, control, white
46	318044511	Lens, indicator light
54 #	318293810	Switch, surface element, small
54A#	318293811	Switch, surface element, large
69	5304453272	Screw, mtg., #8-32 x 1/4"
83 #	318115601	Fuse, 15 Amp, w/fuse holder
84	318146825	Outlet, electrical, white-glossy, combined
95	5303324521	Clip, fuse holder mtg
99	5303304544	Spacer, end cap mtg.
* #	318052525	Wire harness, lamp, flourescent
*	08016432	Screw, truss head, 8-18 x 0.375
*	5303211311	Screw, 8 x 0.500

BODY

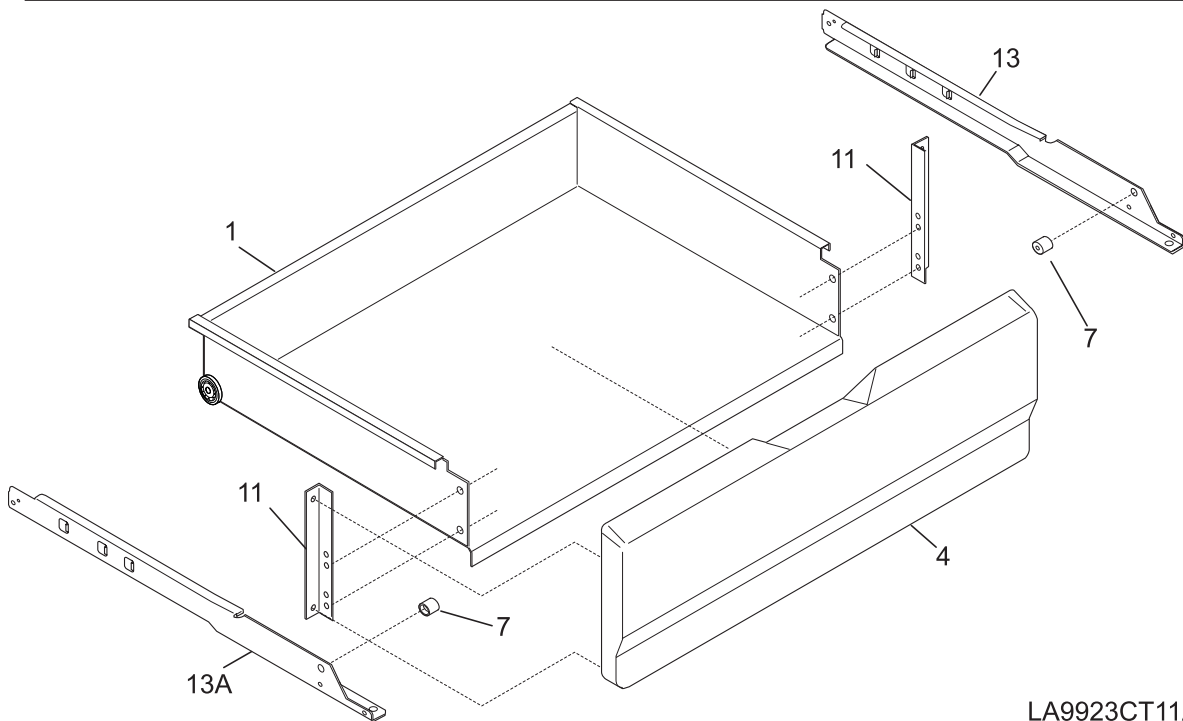
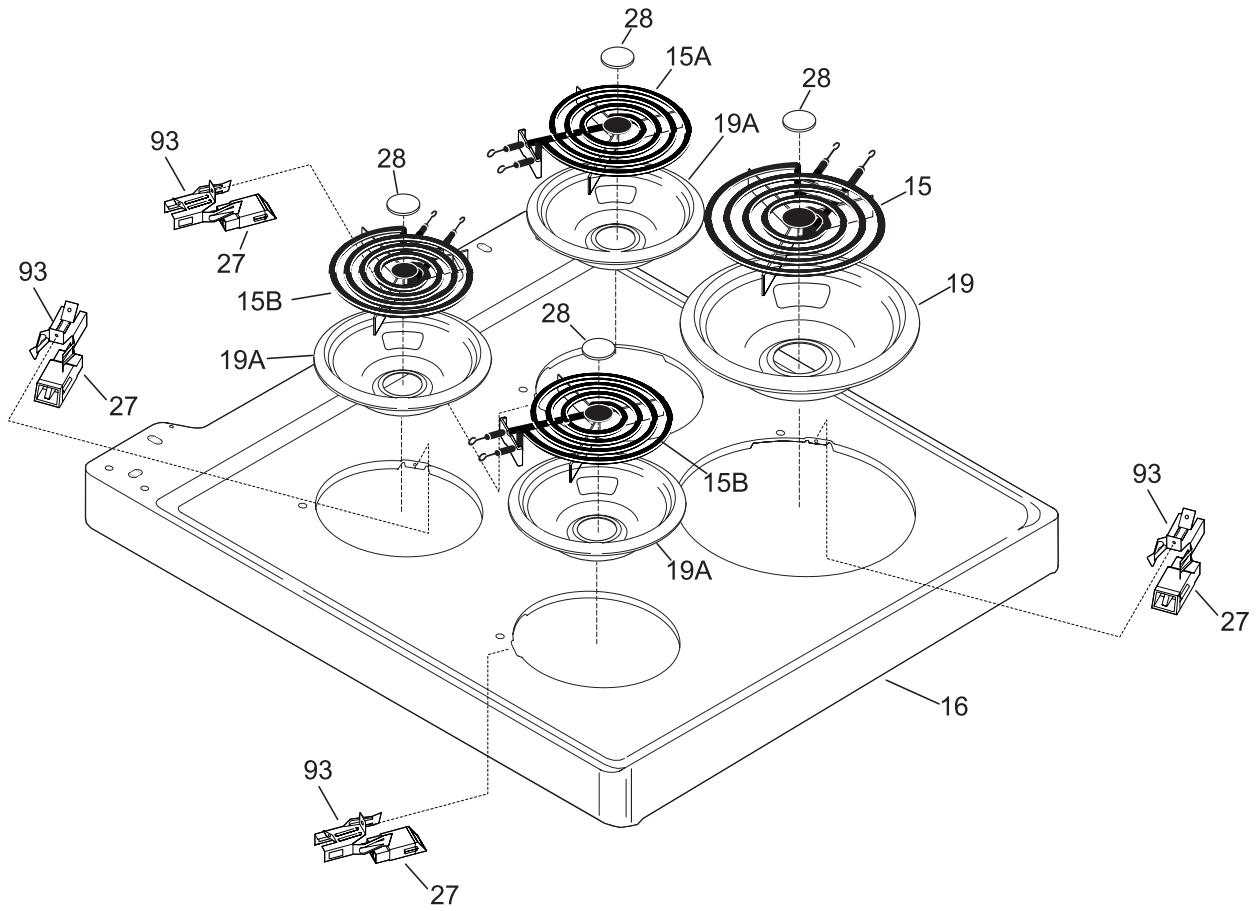


LA00B07235-2A

BODY

POS. NO	PART NO.	DESCRIPTION
1	318095002	Panel, main back
3	318159723	Panel, bodyside, white, (2)
4	318126510	Burner Box
5	318175508	Screw, leveling, w/tee nut
5A	08013303	Tee nut, snap-in, levelling screw
6	318345201	Rack, oven
12 #	318394801	Switch, light, door
14	318224000	Receptacle, oven light
15	5303013071	Bulb/Lamp, light
16	08011086	Lens, oven light, glass
17	5304400195	Retainer, light cover
25	5303325069	Shield, oven bottom
37 #	316217002	Probe, oven temp
39 #	318113111	Cord, electric
41	5303310526	Cover, hinge cutout
54	318222400	Housing, oven light
58A	318285019	Insulation, oven wrapper
58B	318285038	Insulation, oven back
59	318549802	Tube, oven vent
62	5303935061	Terminal Block Kit
62*	5303323139	Screw, 10-24 x 0.906
62*	5303323144	Nut, 10-32
66 #	318255600	Element, broil, 2750W
67 #	318255001	Element, bake, 2400W
68	5304403015	Support, hanger, (4), broil element
71	318086507	Panel, cover
74	318147412	Bumper, base
76	318123103	Frame, oven front, w/wheels
80	5303324473	Bracket, oven mounting
81	318192400	Spring, oven
83	318089601	Liner, oven complete
86	318342400	Receptacle, hinge
88	5303311160	Rod, latch
89 #	318095957	Motor, latch assy, w/brkt & switch
*	5303211311	Screw, 8 x 0.500
99	5303324441	Panel, baffle
127	318317100	Adapter Assembly, vent tube, w/converter
128	318563000	Bushing, latch rod
129	5303311164	Spring
168	08011155	Roller
172	08011131	Rivet, roller shaft, 0.250 x 1.500
174	318531600	Bearing, roller, (4)
* #	318564601	Harness, wiring, main
*	3201861	Screw, 6 x 0.375, (4)
*	08016432	Screw, truss head, 8-18 x 0.375
*	5303323133	Screw, 8-18 x 0.500

TOP/DRAWER

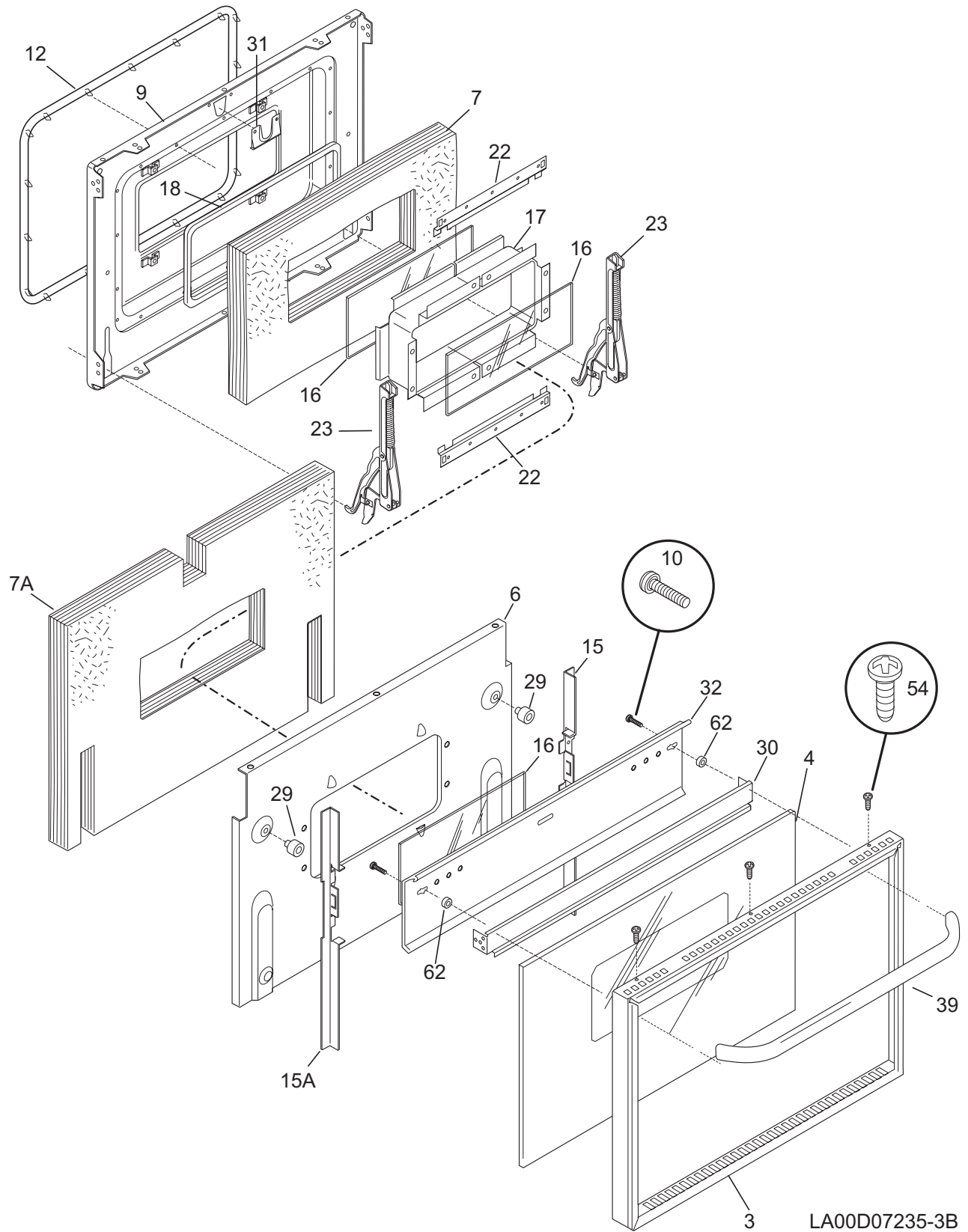


LA9923CT11A

TOP/DRAWER

POS. NO	PART NO.	DESCRIPTION
1	5303325610	Drawer
4	318044231	Panel, drawer, white
7	318014800	Spacer
11	5303324427	Bracket, drawer support, (2)
13	318018100	Channel, drawer, RH
13A	318018101	Channel, drawer, LH
15 #	318372216	Element, surface, 8", large
15A#	318372211	Element, surface, 6", small
15B#	318372212	Element, surface, 6", small
16	318120921	Main Top, white
19	318067050	Pan, surface element, large, black
19A	318067040	Pan, surface element, small, black
27 #	318368601	Terminal Block, surface element, 28", black leads
28	5303301461	Medallion, surface element
93	318366400	Support, terminal block, (4)
*	5303211311	Screw, 8 x 0.500

DOOR



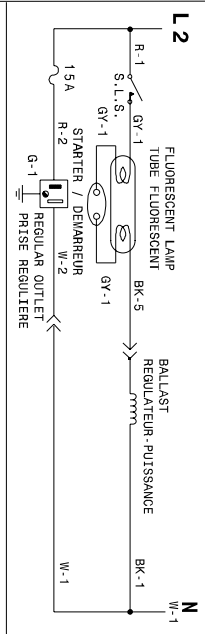
LA00D07235-3B

DOOR

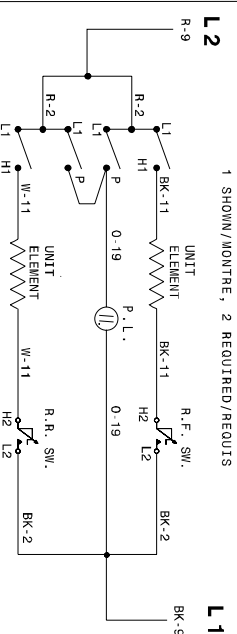
POS. NO	PART NO.	DESCRIPTION
3	5303325088	Trim, oven door, white
4	318051801	Glass, oven door, white, outer
6	5303325079	Shield, oven door
7	318285023	Insulation, oven door
7A	318285024	Insulation, oven door
9	318156406	Liner, oven door
10	5303323139	Screw, 10-24 x 0.906
12	5303325040	Seal, oven door
15	5303311153	Bracket, glass mtg, RS
15A	5303311154	Bracket, glass mtg, LS
16	5303310533	Glass, oven door, 6.50 x 15.50, inner, heat barrier
17	318139001	Spacer, oven door glass, inner frame
18	318293500	Gasket, door glass seal
22	5303310511	Bar, glass retainer
23	318024748	Hinge, door, (2)
23*	3201899	Washer, flat
29	318147412	Bumper, base
30	318014017	Trim-handle, white
31	5303310536	Latch, oven door
32	318057203	Deflector, handle
39	318362820	Handle Assembly, door, white, w/spacer
54	5303317175	Screw, 8-18 x 0.531, white
62	5303310504	Spacer, (2)
*	08016432	Screw, truss head, 8-18 x 0.375
*	5303211311	Screw, 8 x 0.500
*	5303307980	Screw, 8-32 x 0.437, (8)

WIRING DIAGRAM

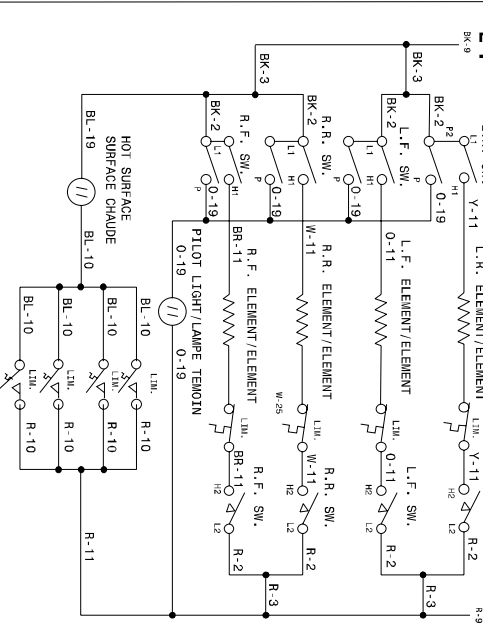
ACCESSOIRES CIRCUIT / CIRCUIT DES ACCESSOIRES



SURFACE ELEMENTS CIRCUIT / CIRCUIT-ELEMENTS SURFACE
COIL ELEMENTS / ELEMENTS SPIRALES

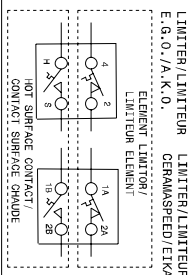
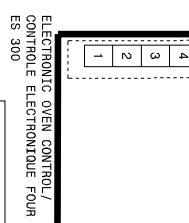
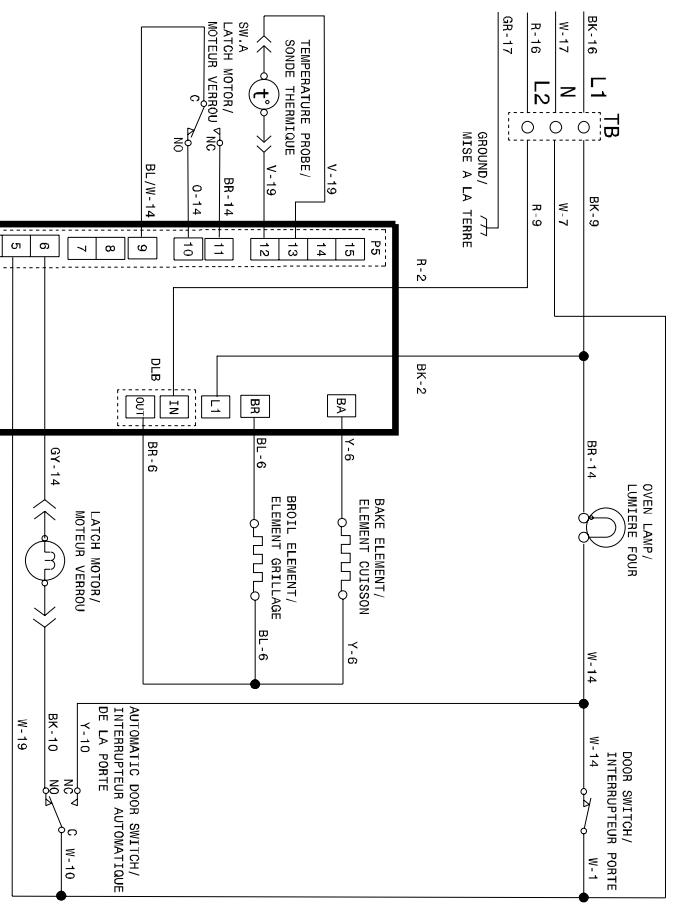


SURFACE ELEMENTS CIRCUIT / CIRCUIT-ELEMENTS SURFACE
SMOOTH TOP / VITRIFIEE



CAUTION: DISCONNECT POWER BEFORE SERVICING UNIT.
LABEL ALL WIRES PRIOR TO DISCONNECTION WHEN SERVICING CONTROLS.
WIRING ERRORS CAN CAUSE IMPROPER AND DANGEROUS OPERATION.
VERIFY PROPER OPERATION AFTER SERVICING.
ATTENTION: COUPEZ L'ALIMENTATION AVANT D'EFFECTUER LA REPARATION.
IDENTIFIEZ TOUS LES FILS AVANT DE LES DERANCHER QUAND L'APPAREIL EST HORS SERVICE.
LES ERREURS DE CONNEXION DE FILS PEUVENT CAUSER UN MAL FONCTIONNEMENT ET UN DANGER D'USAGE DE L'APPAREIL.
VERIFIEZ LE BON FONCTIONNEMENT DE L'APPAREIL APRES LE SERVICE.

OVEN CIRCUIT // CIRCUIT FOUR



CODE	GAUGE	TEMP. °C	CSA	UL
1	18	125	CU1251	3173
2	16	125	CU1251	3173
3	14	125	CU1251	3173
4	12	125	EXL-150	3321
5	18	150	EXL-150	3321
6	16	150	EXL-150	3321
7	14	150	EXL-150	3321
8	12	150	EXL-150	3321
9	10	150	EXL-150	3321
10	10	200	SEW-1	3125
11	16	200	SEW-1	3125
12	12	250	SEW-1	3252
13	16	250	SEW-1	3252
14	20	150	EXL-150	3321
15	16	150	EXL-150	3321
16	8	60		
17	10	60		
18	10	200	SEW-1	3122
19	20	125	CU1251	3173
20	20	200	SEW-1	3122

318198612 REV. A