

UNIVERSAL/MULTIFLEX

Factory Parts Catalog

Product No.	CFU17F3AW8
Series	134A
Color	white
Volts	115
Wiring Diagram	297010000
Owner's Guide	216961000
Market	North America
Energy Guide	216795404

 **Electrolux**

Electrolux Major Appliances
North & Latin America
P.O. BOX 212378
AUGUSTA, GA 30917

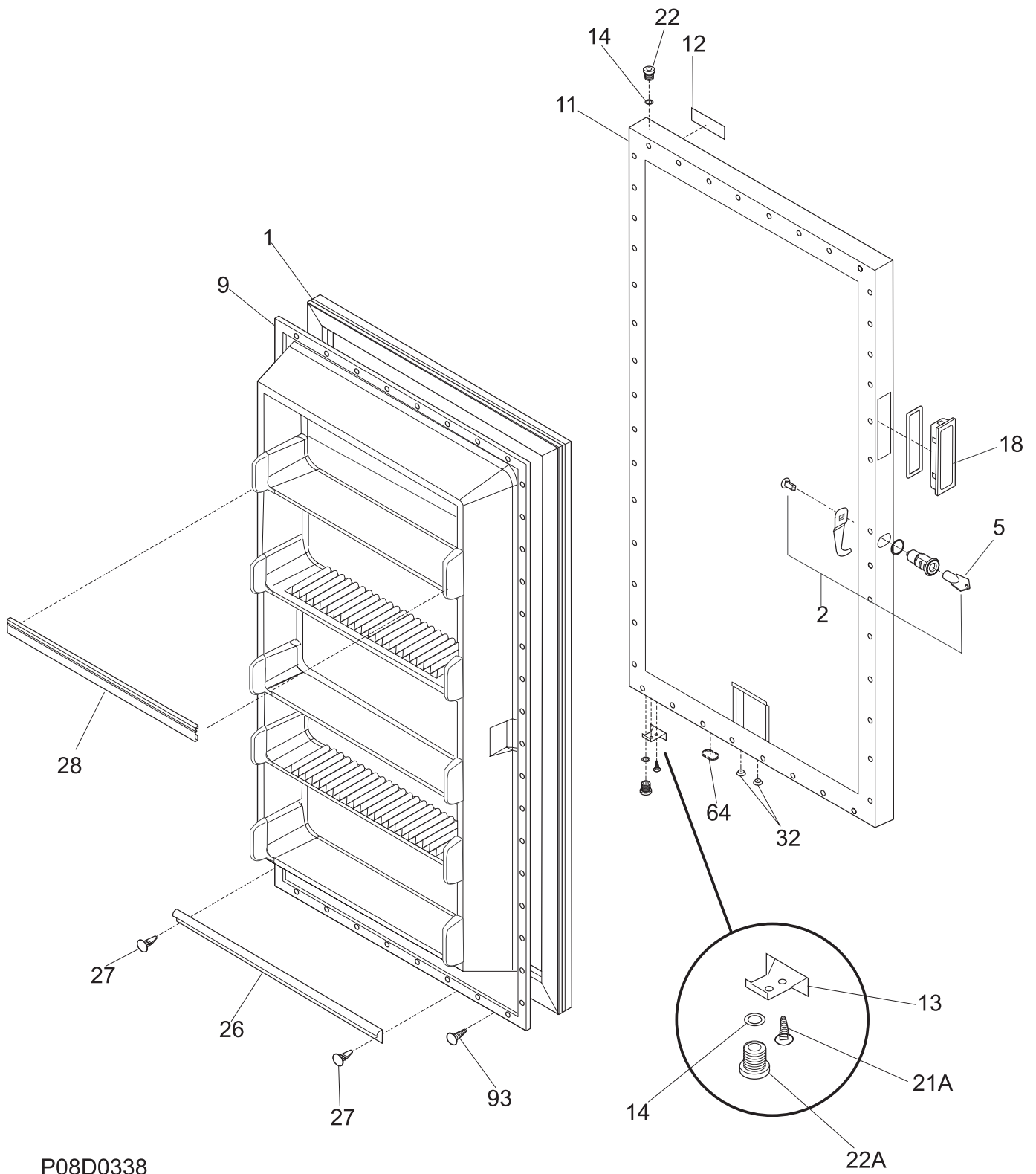
Publication No.
5995435079
05/04/21
(EN/SERVICE/MLR)
365

UPRIGHT FREEZER

Model No.
CFU17F3AW

Copyright © 2005 Electrolux Home Products, Inc.
All rights reserved.

DOOR

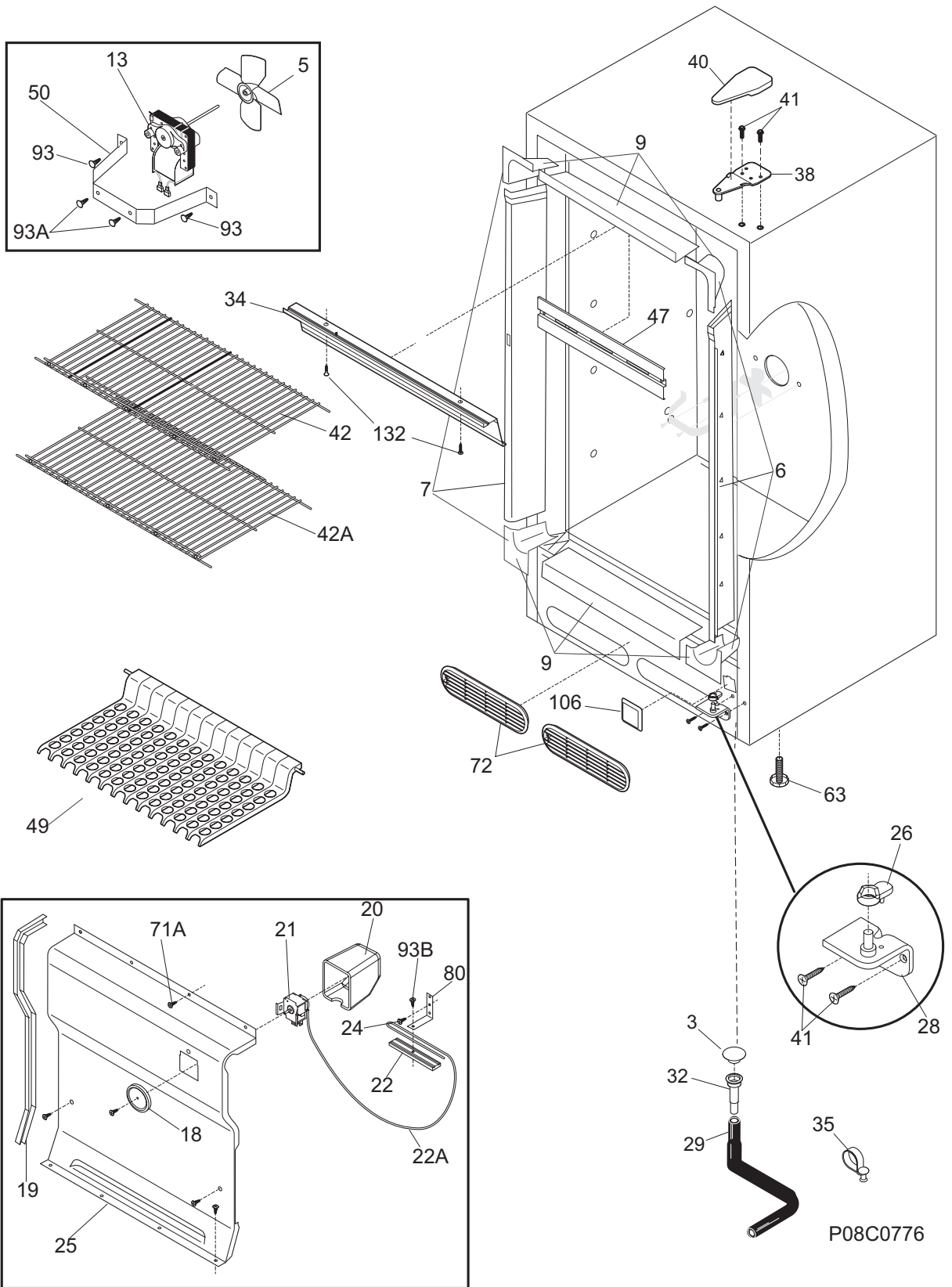


P08D0338

DOOR

POS. NO	PART NO.	DESCRIPTION
1	216522309	Gasket-door, white
2 #	5303925107	Lock Assy
5 #	216702900	Key, lock
9	216527816	Panel-inner door, frzr
11	216526500	Panel-outer door, white
12	216373000	Frame-nameplate
13	08016354	Door Stop
14	5303313518	Washer, sealing
18	297034200	Handle, recessed, white, incl/gasket
21A	08005520	Screw, door stop mtg, 4.0 x 0.7-19.7, flat hd, metric
22	216970800	Bearing, hinge, top
22A	297006800	Bearing-hinge
26	216524200	Gasket, secondary
27	5303212828	Clip, panel mtg
27*	5304406520	Clip, panel mtg kit, (40)
28	216951600	Rack-door, (5)
32	5309950074	Valve, breather, door base
64	216403700	Plug-button, hole filler, door base
93	5303161215	Screw, ph truss head, 8-18AB x 0.500

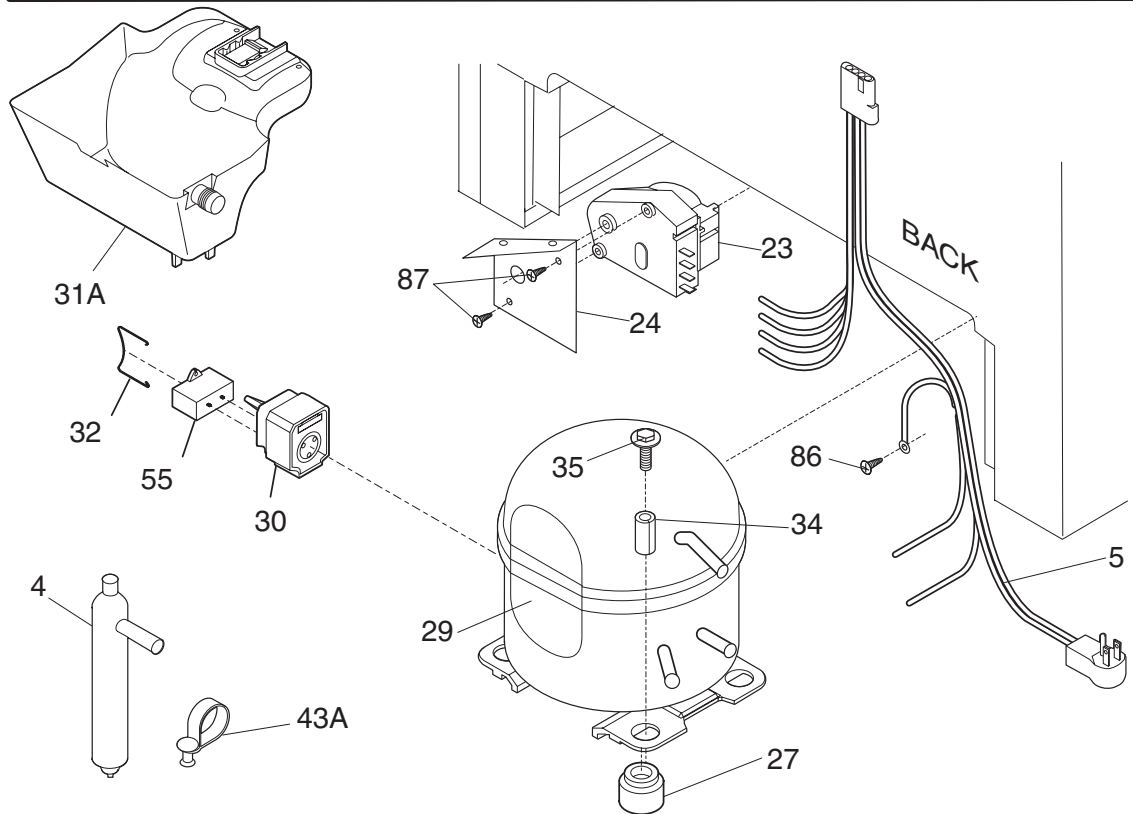
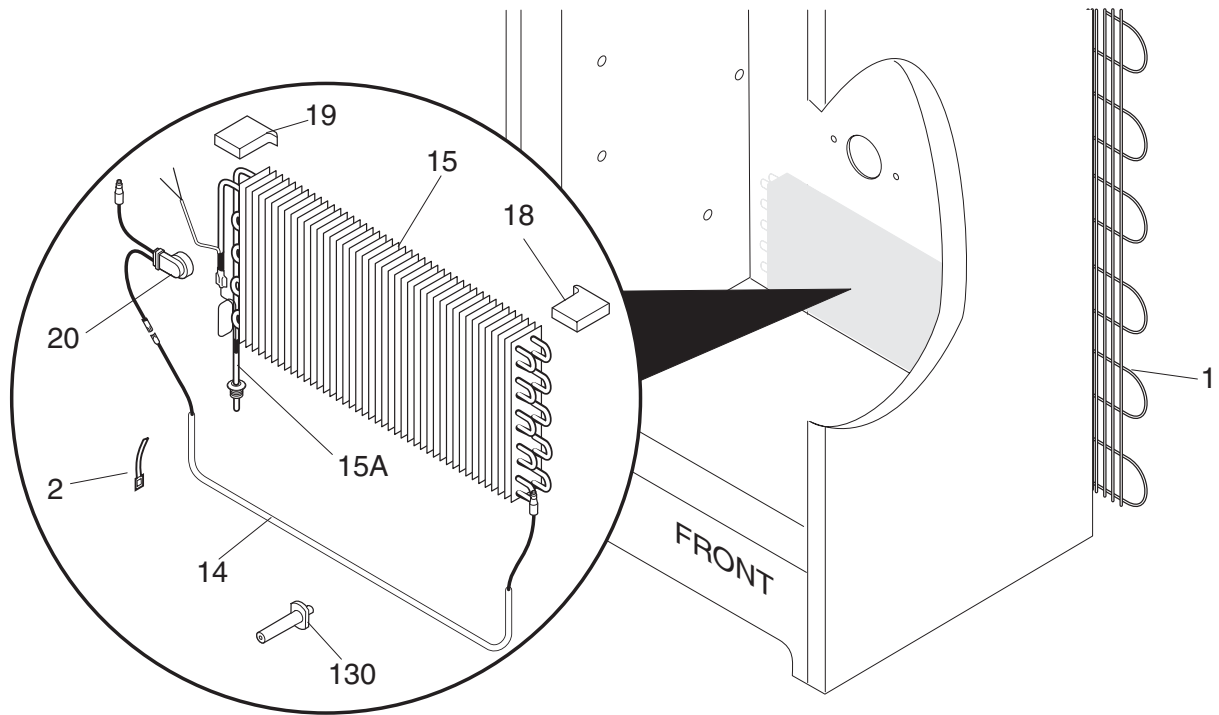
CABINET



CABINET

POS. NO	PART NO.	DESCRIPTION
3	216503100	Screen-drain
5 #	216325600	Fan Blade
6	216604200	Breaker Kit w/corners
7	216603700	Breaker Kit w/corners, lock catch
9	216603300	Breaker Kit w/corners, 32", top or bottom
13 #	216934100	Motor, fan, 115 V
*	216912400	Screw, hex washer head, #8-32 x .500, bracket fan mtr, (2)
18	216707200	Knob, temp control
19	216204900	Gasket, evap cover
20	216230300	Cover, temp control
21	216715200	Control-temperature
22	216823500	Clamp, cap tube, cold control
22A	5303916855	Tube, sensor sleeve, plastic, clear
24	5300052943	Screw-clamp, truss hd cr, control
25	216820200	Cover-evaporator
26	216503300	Ramp, door closer
28	216247400	Hinge, bottom
29	216313501	Hose-drain
32	5308005500	Drain
34	216816203	Shield-light
35	216629700	Clip
38	216939100	Hinge-upper
40	216809000	Cover-hinge
41	216936800	Screw-hinge, 12-24x.700 HWH, btm
42	216458400	Shelf, 14.50x27.88, (3)
42A	216458200	Shelf, 12.50x27.88, white
*	216502400	Grommet-shelf mtg
47	216661600	Plate, baffle, snap fit
49	216937700	Trivet
50	216394000	Bracket, fan motor mount
63	216396900	Screw, leveling foot, plastic, adjustable
71A	5304416289	Screw, ph truss head, 8-18AB x 0.47, EVAP PANEL
72	216952700	Grille/guard, (2)
80	06594601	Bracket, control
93	5303161215	Screw, ph truss head, 8-18AB x 0.500
93A	216629600	Screw, hex washer head, 10-16 x 0.500, tapping
93B	216036600	Screw, ph washer head, 8-32CA x 0.500, thread forming
106	216926301	Plug, square
132	5303283898	Screw, 6-20AB x 3/8
*	216795404	Energy Guide
*	297001701	Insulation, drain tube, 24"
*	5303305324	Paint, touch-up, white

SYSTEM



P08S0387

SYSTEM

POS. NO	PART NO.	DESCRIPTION
1 #	5300083897	Condenser
2	5308000110	Strap-evap/heater, aluminum, (2)
4 #	216938600	Drier-filter
5 #	297027000	Harness-main
5*	216987700	Harness, adapter
14 #	216730700	Heater-defrost
15 #	216737300	Evaporator
15A	216783200	Heat Exchanger, suct/cap tube
18	216727600	Insulator-evap, styrofoam
19	216727700	Insulator-evap, styrofoam
20	216731000	Thermostat, defrost
23 #	216744500	Timer-defrost
24	08016580	Bracket
27	5308002681	Grommet, compressor
29	297002900	Compressor, kit, w/grommets, & welded clip
30 #	216649315	Controller
31A	216994100	Pan-drain
32	216649100	Clamp, elec cont mtg, compressor
34	5306594529	Sleeve-compressor
35	5303272328	Screw, lnd hex sems, 1/4-28 unfx, compressor
43A	216629700	Clip
55	218909913	Capacitor-run, 220 VAC, 15 microfarad
86	216036600	Screw, ph washer head, 8-32CA x 0.500, thread forming
87	08037849	Screw, ph truss head, 6-32(T) x 0.500, thread cutting
130	216486800	Support, evaporator mtg
*	216502500	Sleeve, suction line
*	297014500	Plug-suction line
*	5303298960	Spacer-tube, 0.237" ID