



FRIGIDAIRE

Factory Parts Catalog

Product No.	CGMV175QBA	CGMV175QFA	CGMV175QWA
Market	Canada	Canada	Canada
Color	black	stainless steel	white
Volts	120	120	120
Watts	1000	1000	1000
Wiring Diagram	316902938	316902938	316902938
Owner's Guide	316495143en	316495143en	316495143en
Installation Instructions	316495162	316495162	316495162

Frigidaire

5855 TERRY FOX WAY
MISSISSAUGA, ONTARIO, CANADA L5V 3E4

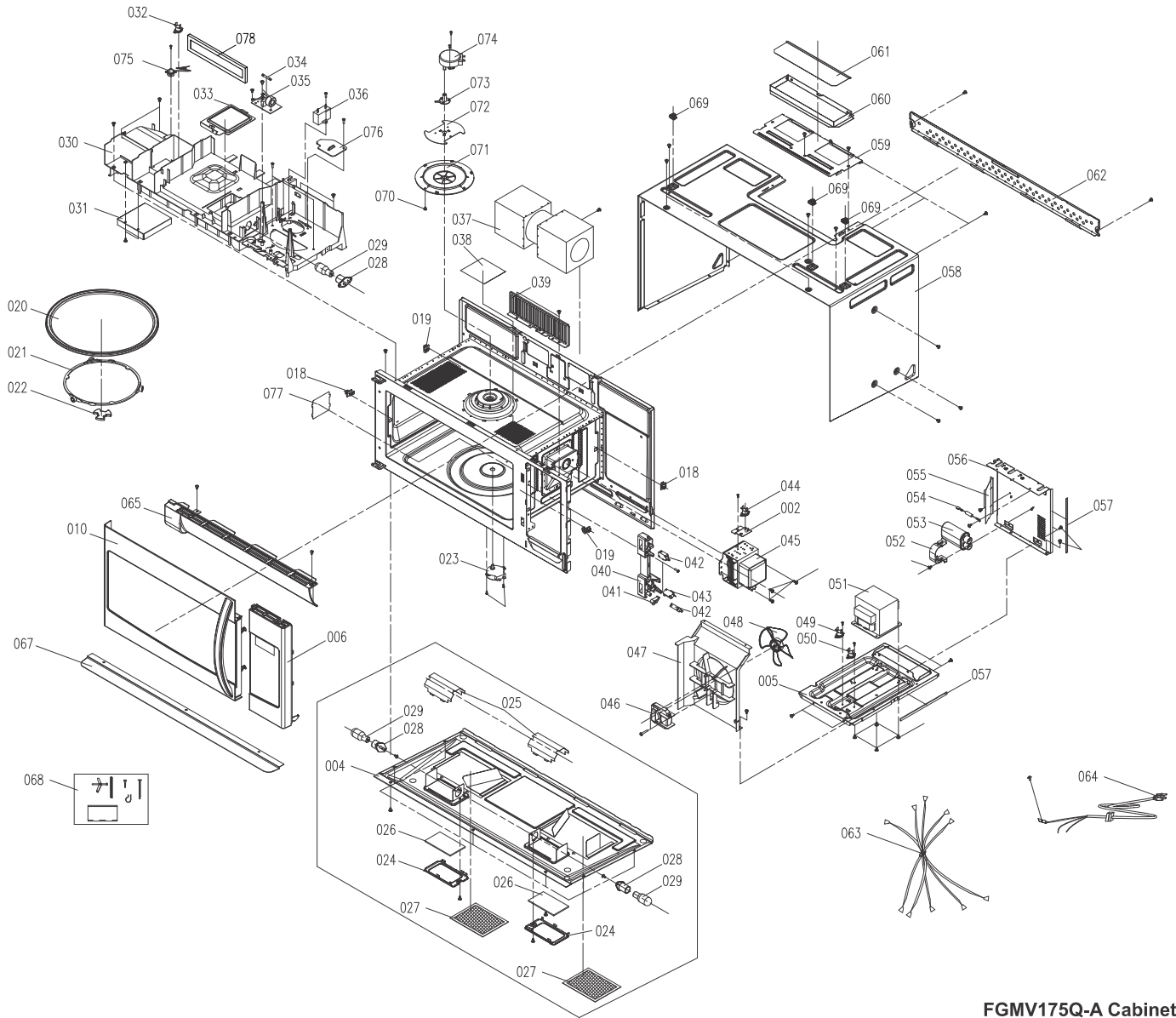
This Catalog replaces 5995664561

Publication No.
5995680211
16/09/26
(EN/SERVICE/KC)
099

OVER-RANGE MICROWAVE

Model No.
CGMV175Q

OVEN, CABINET



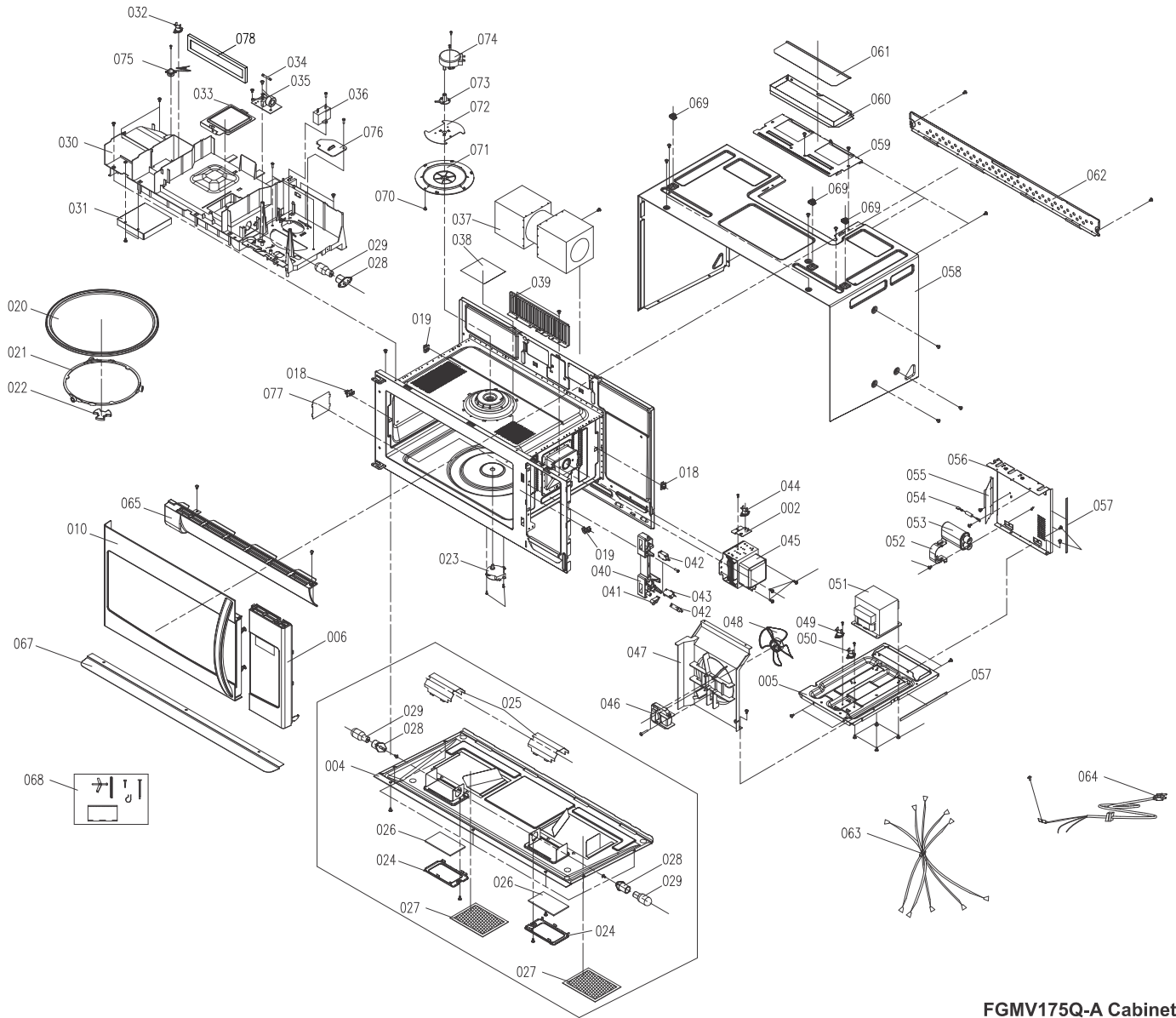
FGMV175Q-A Cabinet

OVEN,CABINET

Model Index: A CGMV175Q (CGMV175QBA)
 B CGMV175Q (CGMV175QFA)
 C CGMV175Q (CGMV175QWA)

POS. NO	PART NO.		DESCRIPTION
002	5304472439	A B C	Bracket, thermostat
004	5304481486	A B C	Cover, unit base
005	5304464063	A B C	Base, transformer, right side
006#	5304494846	A - -	Control Assembly, black
006#	5304494845	- B -	Control Assembly, stainless
006#	5304494847	- - C	Control Assembly, white
010	5304494109	A - -	Door Assembly, black
010	5304494108	- B -	Door Assembly, stainless
010	5304494110	- - C	Door Assembly, white
018	5304478924	A B C	Support, shelf, A
019	5304478925	A B C	Support, shelf, B
020	5304464116	A B C	Turntable, tray, glass
021	5304464115	A B C	Support, turntable ring
022	5304472494	A B C	Coupler, turntable/motor
023#	5304464113	A B C	Motor, turntable
024	5304481505	A B C	Frame, lens holder
025	5304464104	A B C	Cover, lamp
026	5304464103	A B C	Lens, cooktop lamp, glass
027#	5304478913	A B C	Filter, grease, washable
028#	5304464091	A B C	Lampholder, socket
029	5304464090	A B C	Lamp, light bulb
030	5304491638	A B C	Duct, air, main
031	5304472452	A B C	Vent, air outlet
032#	5304464074	A B C	Thermostat, cutout, oven cavity
033	5304464111	A B C	Cover, lamp, oven cavity
034#	5304488359	A B C	Fuse
035#	5304472447	A B C	Filter, noise, electronic
036#	5304502494	A B C	Capacitor, start
037#	5304491613	A B C	Motor, hood/vent fan
038	5304491557	A B C	Seal, lamp, mylar film
039	5304464256	A B C	Cover, control shield, right
040	5304499580	A B C	Latch Hook
041	5304464097	A B C	Lever, switch
042#	5304464099	A B C	Switch, interlock
043#	5304464098	A B C	Switch, monitor
044#	5304464073	A B C	Thermostat
045#	5304472445	A B C	Magnetron, high voltage
046#	5304464118	A B C	Motor, cooling fan
047	5304478920	A B C	Duct, cooling fan
048#	5304464257	A B C	Fan Blade, cooling fan
049#	5304464093	A B C	Thermostat, cutout, transformer
050#	5304464094	A B C	Thermostat, cutout, vent motor
051#	5304464075	A B C	Transformer, power, HV
052	5304491616	A B C	Retainer, capacitor strap
053#	5304491606	A B C	Capacitor, high voltage
054#	5304464254	A B C	Diode, high voltage
055	5304472454	A B C	Vent, air, magnetron
056	5304472451	A B C	Duct, hood intake, right side

OVEN, CABINET



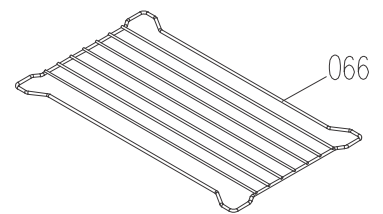
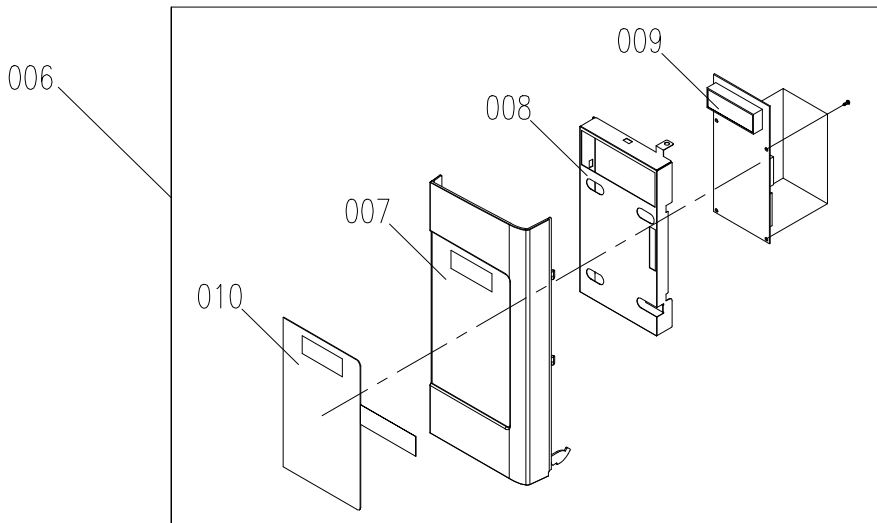
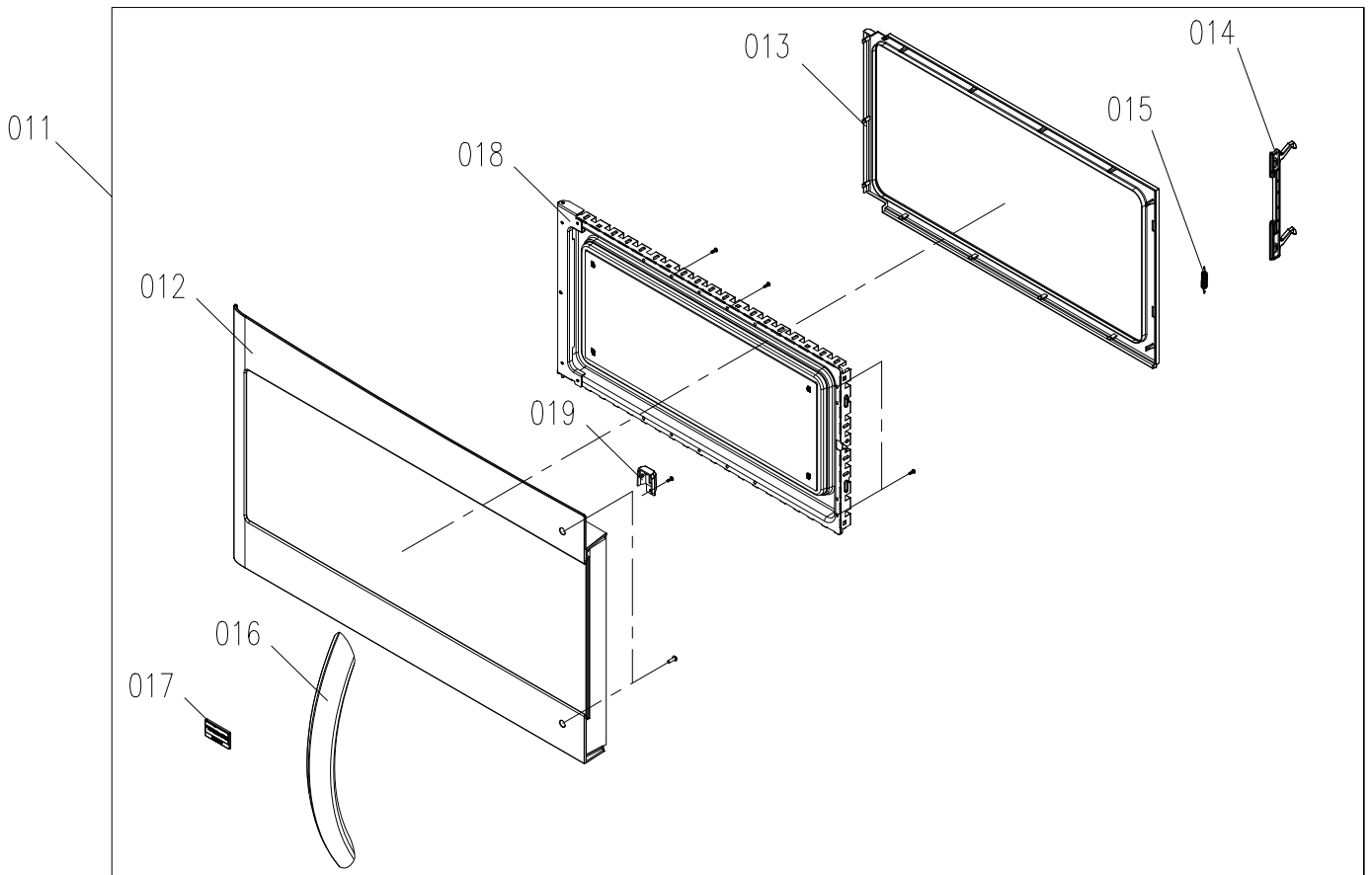
FGMV175Q-A Cabinet

OVEN,CABINET

Model Index: A CGMV175Q (CGMV175QBA)
 B CGMV175Q (CGMV175QFA)
 C CGMV175Q (CGMV175QWA)

POS. NO	PART NO.		DESCRIPTION
057	5304491603	A B C	Cushion, transformer, noise reducer
058	5304472455	A B -	Cabinet, outer casing, black
058	5304472460	- - C	Cabinet, outer casing, white
059	5304472453	A B C	Cover, vent motor
060	5304464120	A B C	Frame, damper housing, exhaust adapter
061	5304464119	A B C	Damper, door, exhaust adapter
062	5304488426	A B C	Plate, mounting, rear
063#	5304494122	A B C	Wiring Harness, main
064#	5304464890	A B C	Power Cord, electric
065	5304481507	A - -	Grille, exhaust, black
065	5304481506	- B -	Grille, exhaust, stainless steel
065	5304481508	- - C	Grille, exhaust, white
067	5304481520	A B C	Shield, heat, base plate
068	5304492620	A B C	Mounting Kit, with templates
069	5304502503	A B C	Mounting Nut Kit
070	5304491639	A B C	Pin, mounting, stirrer cover
071	5304491558	A B C	Cover, stirrer fan
072#	5304488417	A B C	Stirrer Fan
073#	5304488416	A B C	Shaft, stirrer fan
074#	5304488389	A B C	Motor, stirrer fan
075#	5304481519	A B C	Sensor, humidity
076	5304491640	A B C	Baffle, air duct
077	5304464061	A B C	Cover, waveguide
78 #	5304464577	A B C	Filter, charcoal, 2" X 10"
*	5304488428	A B C	Screw Kit, all

CONTROL PANEL,DOOR,MISC.



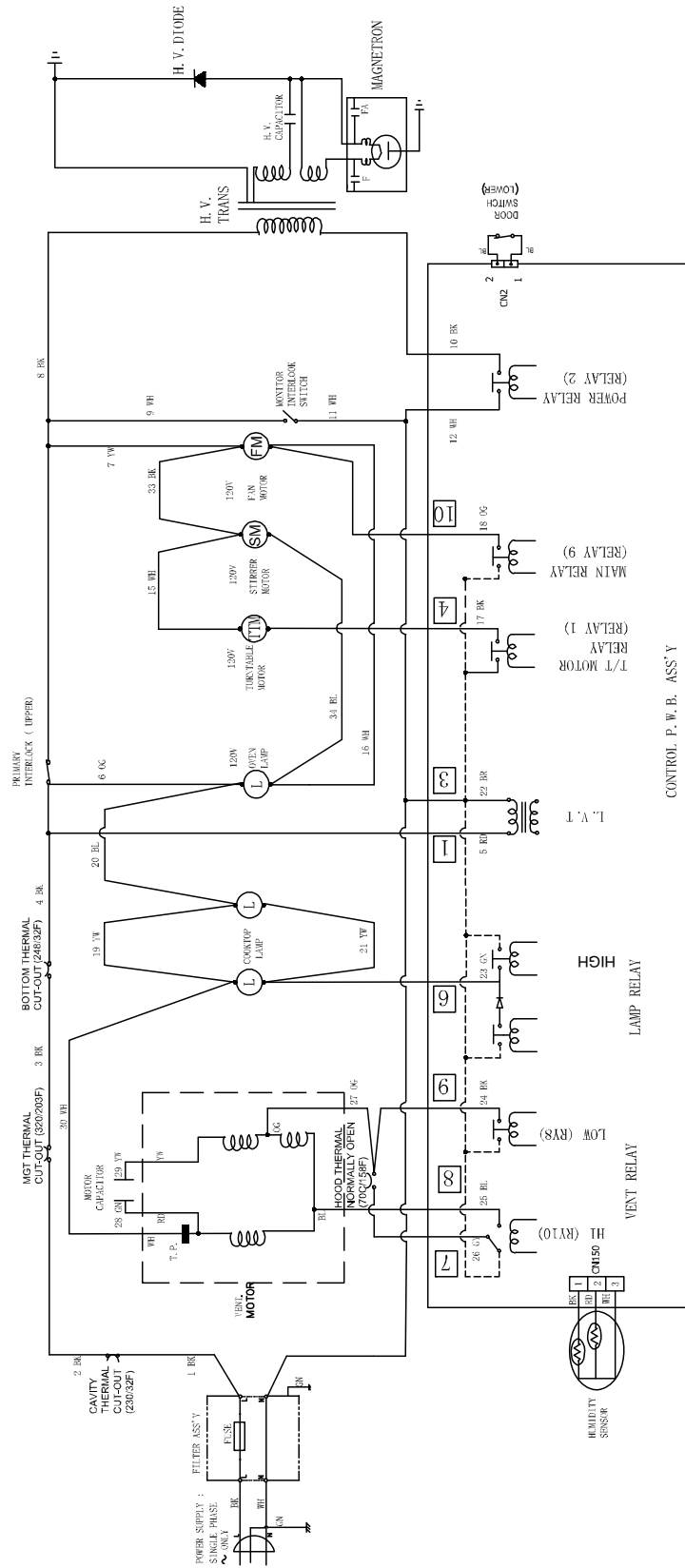
FGMV175Q_A Door

CONTROL PANEL,DOOR,MISC.

Model Index: A CGMV175Q (CGMV175QBA)
 B CGMV175Q (CGMV175QFA)
 C CGMV175Q (CGMV175QWA)

POS. NO	PART NO.		DESCRIPTION
006#	5304494846	A - -	Control Assembly, black
006#	5304494845	- B -	Control Assembly, stainless
006#	5304494847	- - C	Control Assembly, white
007	5304494849	A - -	Control Panel, black
007	5304494848	- B -	Control Panel, stainless
007	5304494850	- - C	Control Panel, white
008	5304494095	A B C	Panel, control mount, bracket
009#	5304494104	A B C	PC Board, main, control/power
010#	5304494105	A B -	Membrane, touch control, black
010#	5304494106	- - C	Membrane, touch control
011	5304494109	A - -	Door Assembly, black
011	5304494108	- B -	Door Assembly, stainless
011	5304494110	- - C	Door Assembly, white
012	5304494113	A - -	Panel, outer door, black
012	5304494112	- B -	Panel, outer door, stainless
012	5304494114	- - C	Panel, outer door, white
013	5304464071	A B C	Choke Cover, inner door
014	5304477389	A B C	Latch, door
015	5304464069	A B C	Spring, door latch
016	5304481503	A - -	Handle Assembly, door, black
016	5304481502	- B -	Handle Assembly, door, stainless
016	5304481504	- - C	Handle Assembly, door, white
017	5304494117	A B C	Nameplate, badge
018	5304494118	A B -	Panel, inner door, black
018	5304494119	- - C	Panel, inner door, white
019	5304481521	A B -	Cover, screw, black, inner door
019	5304481522	- - C	Cover, screw, white, inner door
066	5304478927	A B C	Shelf, wire

WIRING DIAGRAM



- NOTE: CGMV175QW, CGMV175QF
- (O) OVEN LAMP OG-ORANGE BR-BROWN
 - (F) FAN MOTOR YW-YELLOW WH-WHITE
 - (TM) TURNABLE MOTOR RP-RED BK-BLACK
 - (S) STIRRER MOTOR BL-BLUE GR-GREY
 - (C) COOKTOP LAMP CV-GREEN PK-PINK

- (COM) COMMON
- (NO) NORMALLY OPEN
- (NC) NORMALLY CLOSED
- (DOOR) DOOR
- (COOK) COOKTOP

HOOD THERMAL NORMALLY OPEN (70C/158F) is normally open, until the temperature is over than 158F. It's ON

PN:316485144
261800316097