

Electric Double Wall Oven

professional series

E30EW85PPS



PRODUCT DIMENSIONS

Height	50-7/16"
Width	30"
Depth	24-3/4"

MORE EASY-TO-USE FEATURES

Large Capacity

Coordinate an entire meal — our ovens feature 4.8 cu. ft. of cooking space with three adjustable baking racks.

Flat Oven Door Design

Our unique flat oven door is sleekly designed with fewer bumps and ridges — so it not only looks great but is easier to clean.

Smooth-Glide® Oven Racks

With a ball bearing system, the oven racks are so smooth they extend effortlessly.

Rapid Preheat

Savor sooner, with Rapid Preheat.

Precise Baking Options

Includes Defrost, Dehydrate, Bread Proof, My Favorites, Multi-Stage Cooking, Temperature Probe, Fast Preheat, Delay Bake and Convection Convert.

Signature Features



Perfect Taste™ Dual Convection

For consistently delicious taste and texture, home chefs rely on our dual-fan convection heat, which circulates air evenly with two variable speeds that work in tandem with three heating elements.



Perfect Taste™ Temp Probe

The Perfect Taste™ Temp Probe does more than measure temperature — it keeps an active eye on your dishes by alerting you when food is at the peak of perfection and automatically adjusting to the Keep Warm setting.



Multi-Stage Cooking

Create great taste with ease. With Multi-Stage Cooking, an Electrolux ICON® oven is a built-in sous chef, helping you conquer delicious by adjusting between seven professionally inspired cooking modes, including Bake, Broil, Convection Bake, Convection Roast, Convection Broil, Keep Warm and Slow Cook.



Self-Cleaning Porcelain Racks

Bake, roast, broil, savor — the cleaning's on us. Our porcelain racks are safe to stay inside of the oven during the self-clean cycle, eliminating the mess and inconvenience of removing and cleaning racks by hand.

30" ELECTRIC DOUBLE WALL OVEN

OVEN FEATURES

Upper Oven Cavity	4.8 Cu.Ft.
Lower Oven Cavity	4.8 Cu.Ft.
Cobalt Blue Interior	Yes
Dual Fan Convection System	Yes
Hidden Bake Element	Yes
Convection Conversion	Yes
Preheat Control	Yes
Rapid Preheat	Yes
Keep Warm	Yes
Light Clean/Medium Clean/Heavy Clean	Yes
Self-Cleaning with Auto-Safety Latch™	Yes
Self-Cleaning Cycle	Yes
Smooth-Glide® Self-Clean Porcelain Oven Racks	2 per Oven
Standard Self-Clean Porcelain Oven Racks	1 per Oven
Theatre Lighting	Yes
Porcelain Broiler Pan with Grill	Included

CONTROL PANEL FEATURES

Electronic Oven Control	Yes
Electronic Clock/Timer	Yes
Electronic Temperature Display	Yes
Glass Wave-Touch® Control with Blue LED Display	Yes
Toggle Control	Yes
"My Favorite" Settings	Yes
Custom-Set™ Options with Temperature Probe	Yes
Automatic Oven – Delay, Cook & Off	Yes
Electronic Lockout	Yes
Automatic Oven Shutoff – 12 Hour	Yes
Programmable for °F or °C	Yes
Integrated Halogen Oven Light – Touch Pad	Yes

DOOR STYLE

Removable Door	Yes
Oven Door Window	Extra Large
All Glass Inner Door	Yes
Stainless Door Handle	Yes

ADDITIONAL FEATURES

Sabbath Mode (Star-K® Certified)	Yes
----------------------------------	-----

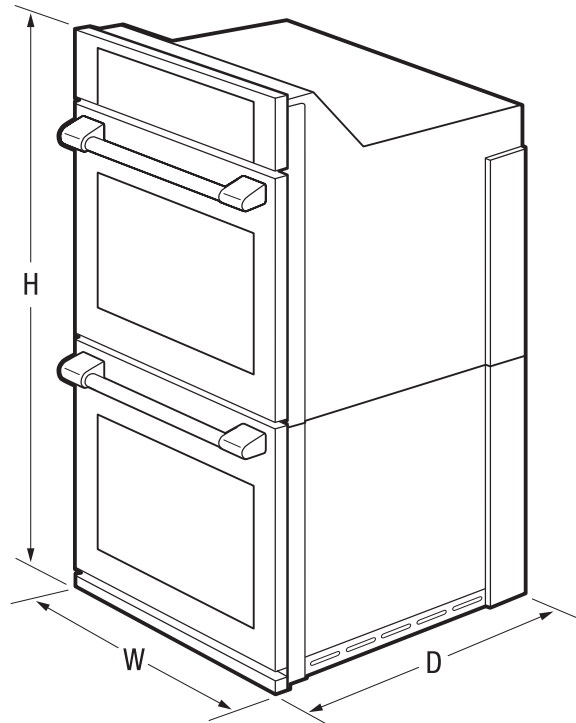
ACCESSORIES

10'-Long Armored Power Cable – PN# 903056-9010	Optional
3"-High Bottom Trim – PN# 903114-9110	Optional

SPECIFICATIONS

Power Supply Location	Left Bottom Rear
Amps @ 240/208 Volts	39.6/34.1
Connected Load (kW Rating) @ 240/208 Volts	9.0/6.8
Bake Element (Watts @ 240/208 Volts)	2,000
Broil Element (Watts @ 240/208 Volts)	4,000
Convection Element (Watts @ 240 Volts)	2,500
Armored Electrical Cable	Included
Shipping Weight (Approx.)	305 Lbs.

NOTE: Always consult local and national electric codes. Refer to Product Installation Guide for detailed installation instructions on the web at electroluxicon.com. Specifications subject to change.



NOTE: Always consult local and national electric codes. Refer to Product Installation Guide for detailed installation instructions on the web at electroluxicon.com.

PRODUCT DIMENSIONS

Height	50-7/16"
Width	30"
Depth (Including Door)	24-3/4"
(with Door Open 90°)	45-3/4"

OVEN CAVITY DIMENSIONS

Height	17-1/2"
Width	24-1/8"
Depth	19-1/2"

CUTOUT DIMENSIONS

Height	48-11/16" – 49-3/8"
Width	28-1/2" – 29"
Depth (Min.)	24"

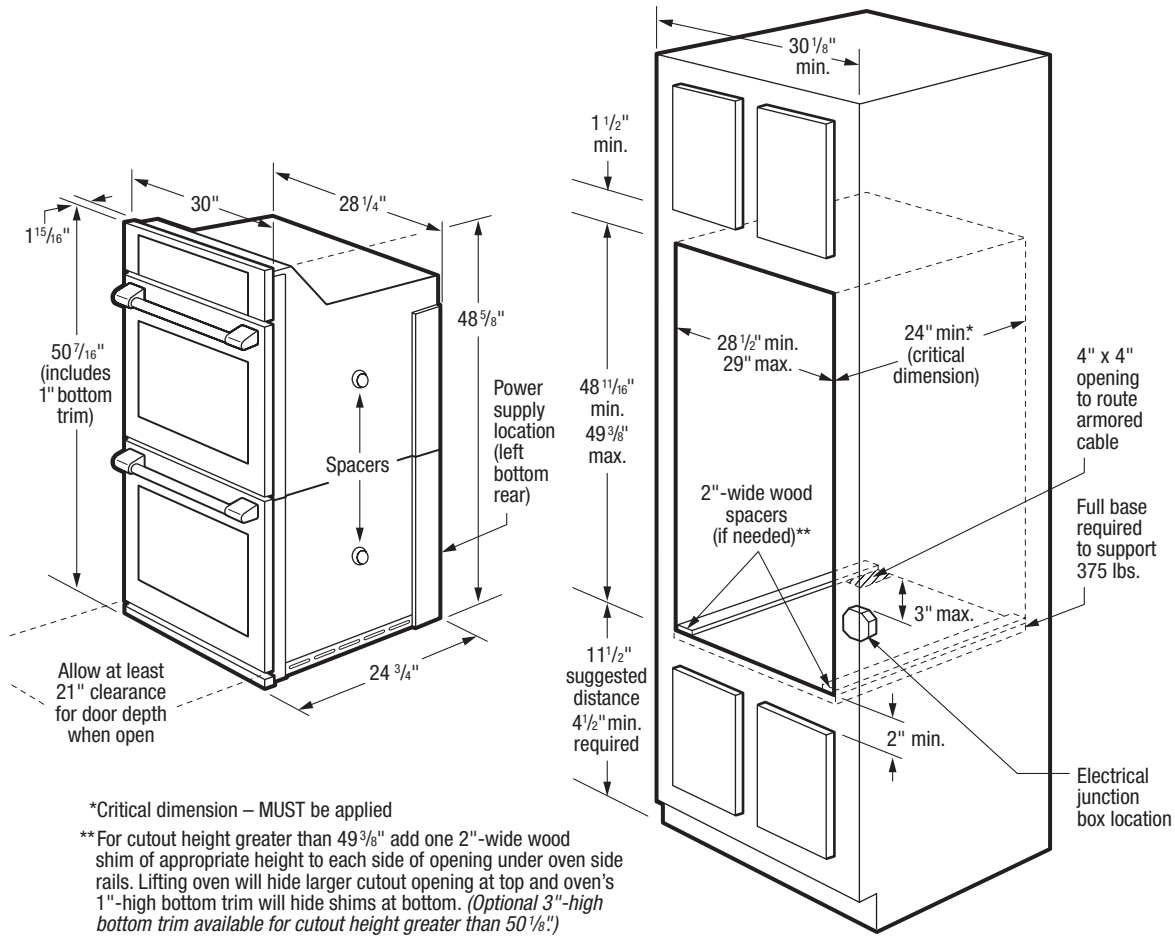
Electrolux Major Appliances, N.A.

USA • 10200 David Taylor Drive • Charlotte, NC 28262 • 1-877-4electrolux (1-877-435-3287) • electroluxicon.com
 CANADA • 5855 Terry Fox Way • Mississauga, ON L5V 3E4 • 1-800-265-8352 • electroluxicon.ca



Electric Double Wall Oven

E30EW85PPS professional series



30" Electric Double Wall Oven Specifications

- Product Weight – 285 Lbs.
- Single phase 3- or 4-wire cable, 120 /240 or 120/208 Volt, 60 Hertz AC only electrical supply with ground required on separate circuit fused on both sides of line.
- Connected Load (kW Rating) @ 240 Volts = 9.0/6.8 kW
- Amps @ 240 Volts = 39.6/34.1 Amps
- Recommended circuit breaker – 40A or 50A
- Always consult local and national electric codes.
- Minimum 21" clearance for oven door depth when open.
- Suggested distance from floor is 11-1/2". Minimum required distance is 4-1/2".
- Minimum 24" deep cutout dimension is critical for proper installation, to ensure that oven's faceplate will fit flush against cabinet front.
- To adapt oven to fit cutout height greater than 49-3/8", add one 2"-wide wood shim of appropriate height to each side of opening under oven side rails. Lifting oven will hide larger cutout opening at top and oven's 1"-high bottom trim will hide shims at bottom. (Standard 1"-High Bottom Trim included.)

- To adapt oven to fit cutout height greater than 50-1/8", optional 3"-High Bottom Trim available.
- Full oven base of solid plywood or similar material required, capable of supporting 375 Lbs.
- Base must be level and cabinet front must be square.
- Double Wall Ovens are NOT approved to be used in stackable or side-by-side installation.

Note: For planning purposes only. Refer to Product Installation Guide on the web at electroluxicon.com for detailed instructions.

Optional Accessories

- 10'-Long Armored Power Cable – (PN# 903056-9010).
- 3"-High Bottom Trim – (PN# 903114-9110).

Electrolux Major Appliances, N.A.

USA • 10200 David Taylor Drive • Charlotte, NC 28262 • 1-877-4electrolux (1-877-435-3287) • electroluxicon.com
 CANADA • 5855 Terry Fox Way • Mississauga, ON L5V 3E4 • 1-800-265-8352 • electroluxicon.ca



High standards of quality at Electrolux Home Products, Inc. mean we are constantly working to improve our products. We reserve the right to change specifications or discontinue models without notice.