

## Factory Parts Catalog

Product No.	EI30MH55GBA	EI30MH55GSA	EI30MH55GWA	EI30MH55GZA
Market	North America	North America	North America	North America
Color	black	stainless steel	white	white/black
Volts	120	120	120	120
Watts	1200	1200	1200	1200
Wiring Diagram	5995509899	5995509899	5995509899	5995509899
Owner's Guide	316495005	316495005	316495005	316495005
Installation Instructions	316495006	316495006	316495006	316495006



Electrolux Major Appliances  
 North & Latin America  
 P.O. BOX 212378  
 AUGUSTA, GA 30917

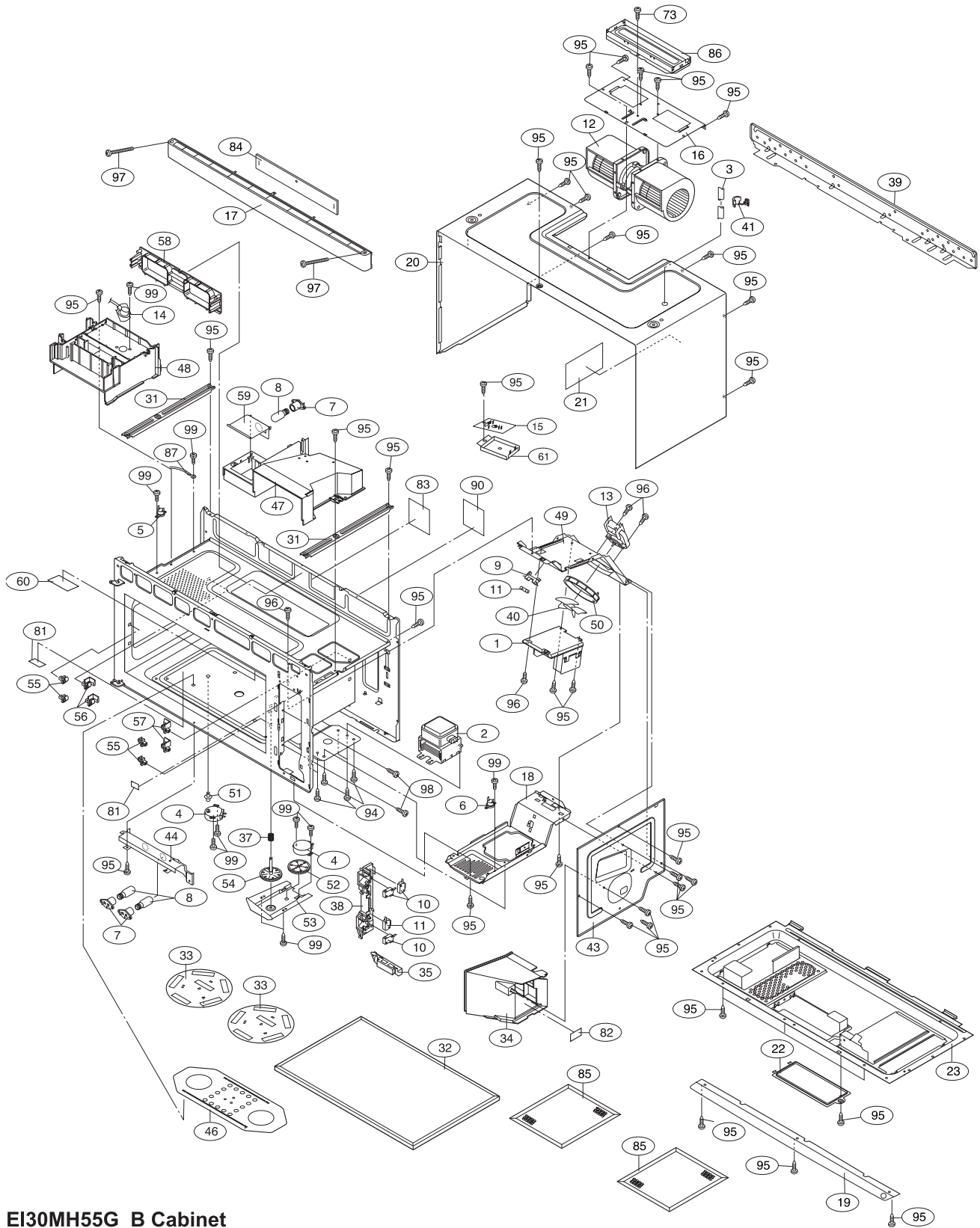
Publication No.  
**5995523411**  
 08/09/04  
 (EN/SERVICE/KC)  
 099

**OVER-RANGE  
 MICROWAVE**

Model No.  
**EI30MH55G**

Copyright © 2008 Electrolux Home Products, Inc.  
 All rights reserved.

**OVEN, CABINET**



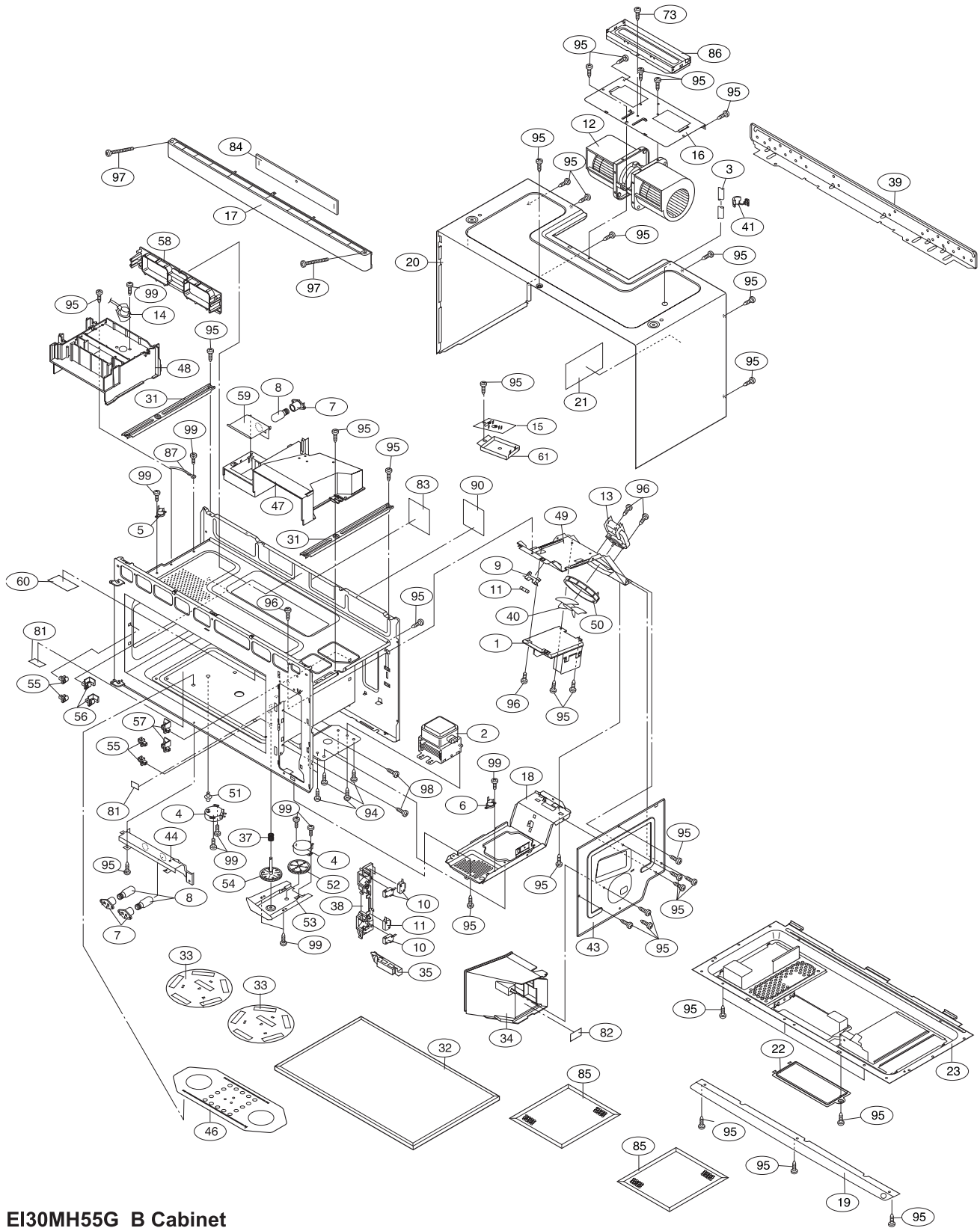
**EI30MH55G\_B Cabinet**

**OVEN,CABINET**

*Model Index:* A EI30MH55G (EI30MH55GBA)  
 B EI30MH55G (EI30MH55GSA)  
 C EI30MH55G (EI30MH55GWA)  
 D EI30MH55G (EI30MH55GZA)

POS. NO	PART NO.		DESCRIPTION
1 #	75304463129	A B C D	Inverter
2 #	75304463179	A B C D	Magnetron
3 #	75304440028	A B C D	Power Cord, electric
4 #	75304463177	A B C D	Motor, stirrer fan
5 #	75304440032	A B C D	Thermal Cutout, oven cavity
6 #	75304440023	A B C D	Thermal Cutout, hood
7 #	75304463785	A B C D	Lampholder, socket
8	75304440031	A B C D	Lamp, incandescent, 20 W, (3)
9 #	75303319557	A B C D	Fuse Holder
10 #	75304440026	A B C D	Switch, interlock, door sensor
11 #	75303319559	A B C D	Switch, monitor, w/ceramic fuse
12 #	75304463135	A B C D	Motor, hood fan
13 #	75304463178	A B C D	Motor, cooling fan
14 #	75304463786	A B C D	Sensor, humidity, cook control
15 #	75304463137	A B C D	Filter, noise, electronic
16	75304463157	A B C D	Plate, rear stay
17	75304463109	A - - -	Grille, exhaust, black
17	75304463166	- B - -	Grille, exhaust, stainless steel
17	75304463124	- - C D	Grille, exhaust, white
18	75304463146	A B C D	Base, transformer, right side
19	75304463112	A - - -	Deflector, black
19	75304463175	- B - -	Deflector, stainless steel
19	75304463125	- - C D	Deflector, white
20	75304463144	A B - -	Cabinet, outer casing, black
20	75304463787	- - C D	Cabinet, outer casing, white
21	75304463788	A B C D	Wiring Diagram, schematic, label
22	75304463130	A B - -	Lens/Frame Assy, lamp, black
22	75304463789	- - C D	Lens/Frame Assy, lamp, white
23	75304463165	A B - -	Cover, unit base, black
23	75304463790	- - C D	Cover, unit base, white
31	75304463149	A B C D	Support, chassis
32	75304463134	A B C D	Tray
33 #	75304463133	A B C D	Fan Blade, stirrer
34	75304463172	A B C D	Duct, magnetron
35	75304440841	A B C -	Lever, door release
35	75304464899	- - - D	Lever, door release
37	75304463159	A B C D	Spring, shield, stirrer shaft
38	75304440840	A B C D	Latch Hook
39	75304463809	A B C D	Bracket, mounting plate, rear
40 #	75304463161	A B C D	Fan Blade, cooling fan
41	75303319605	A B C D	Bushing, grommet, power cord
42	75304463158	A B C D	Lever, unit mounting, release
43	75304463170	A B C D	Duct, hood intake, right side
44	75304463147	A B C D	Bracket, lamp mount, hood
45	75304440316	A B C D	Spring, door latch
46	75304463128	A B C D	Plate, distribution
47	75304463167	A B C D	Duct, hood exhaust, right side

**OVEN, CABINET**



**EI30MH55G\_B Cabinet**

**OVEN,CABINET**

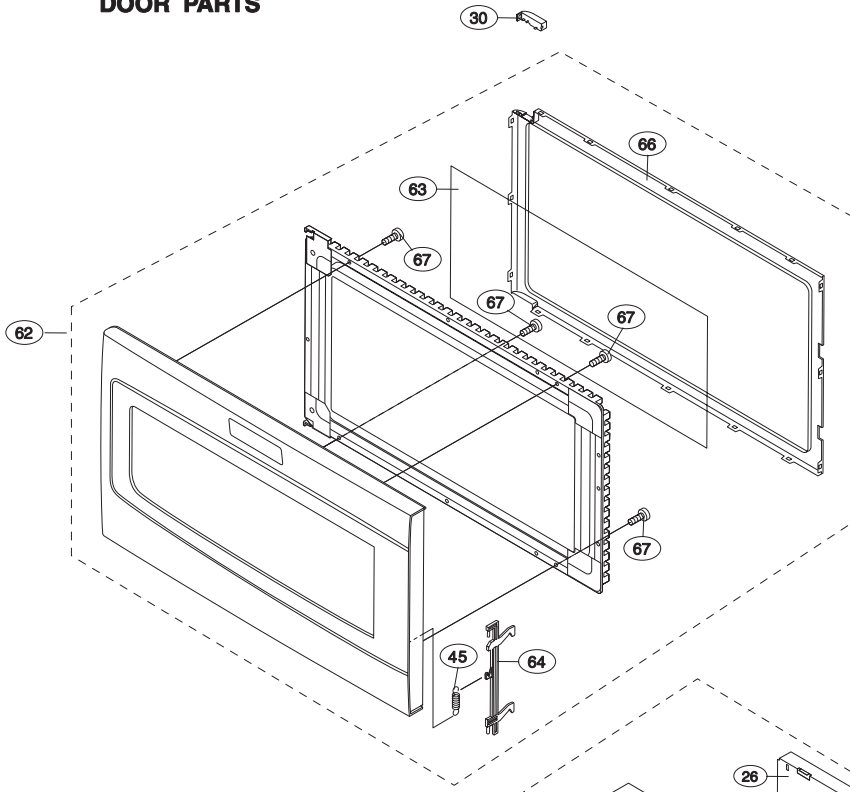
*Model Index:* A EI30MH55G (EI30MH55GBA)  
 B EI30MH55G (EI30MH55GSA)  
 C EI30MH55G (EI30MH55GWA)  
 D EI30MH55G (EI30MH55GZA)

POS. NO	PART NO.		DESCRIPTION
48	75304463168	A B C D	Duct, hood exhaust, left side
49	75304463171	A B C D	Duct, cooling fan
50	75304441881	A B C D	Ring, fan orifice
51 #	75304463163	A B C D	Shaft, stirrer, left
52 #	75304463162	A B C D	Gear, stirrer motor
53	75304463150	A B C D	Bracket, motor mount, angle
54 #	75304463138	A B C D	Shaft Assy, stirrer, right
55	75304463153	A B C D	Holder, rack, front
56	75304463154	A B C D	Holder, rack, left rear
57	75304463155	A B C D	Holder, rack, right rear
58	75304463169	A B C D	Duct, exhaust hood, center rear
59	75304463151	A B C D	Bracket, lamp mount, angle
60	75304440295	A B C D	Lens, lamp filter
61	75304463111	A B C D	Bracket, noise filter, angle
73	75304453723	A B C D	Screw, 5mm x 35mm
81	75304441900	A B C D	Label, Caution-DHHS
82	75304440334	A B C D	Label, Caution-monitor
83	75304440333	A B C D	Label, Caution-DHHS
84	75304463174	A B C D	Filter, charcoal, inside exhaust
85	75304463811	A B C D	Filter, grease
86	75304440283	A B C -	Damper Assy, exhaust
86	75304464343	- - - D	Damper Assembly, exhaust
87 #	75304463812	A B C D	Wire, sensor ground
90	75304451533	A B C -	Label, NHW caution
90	75304465314	- - - D	Label, NHW caution
94	75304463815	A B C -	Screw, 5 mm x 8 mm
94	75304463181	- - - D	Screw, 5 mm x 8 mm
95	75304451553	A B C D	Screw, 4 mm x 12 mm
96	75304440872	A B C -	Screw, 4mm x 8mm
96	75304450253	- - - D	Screw, 4 mm x 8 mm
97	75304441378	A B C -	Screw, grille mount
97	75304451561	A B C D	Screw, 4 mm x 8 mm
98	75303319641	A B C D	Screw
99	75303319633	A B C D	Screw, 3mm x 8mm

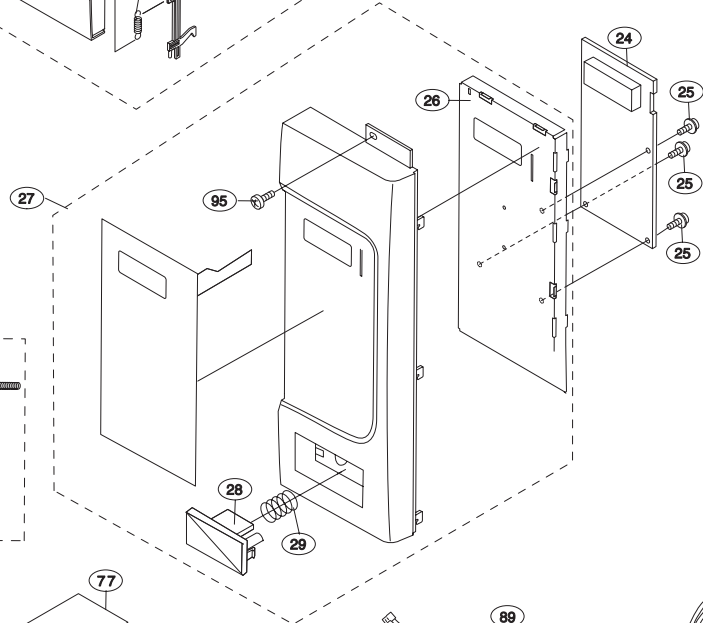
**CONTROL PANEL, DOOR, MISC.**

**DOOR PARTS**

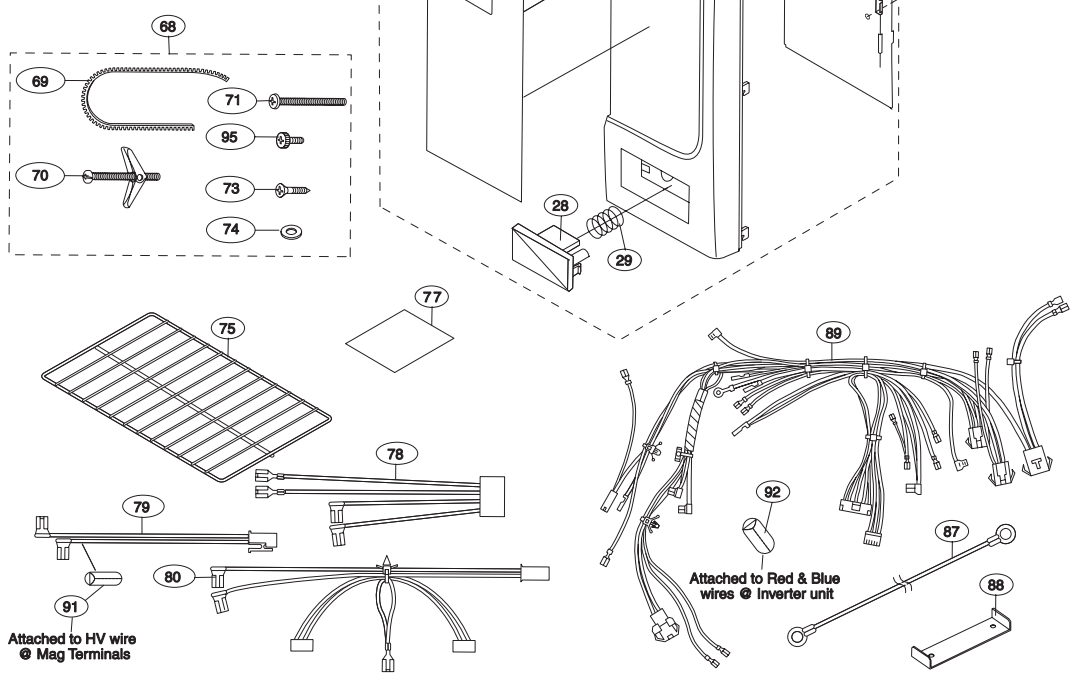
**EI30MH55G Contols**



**CONTROL PANEL PARTS**



**MISCELLANEOUS**



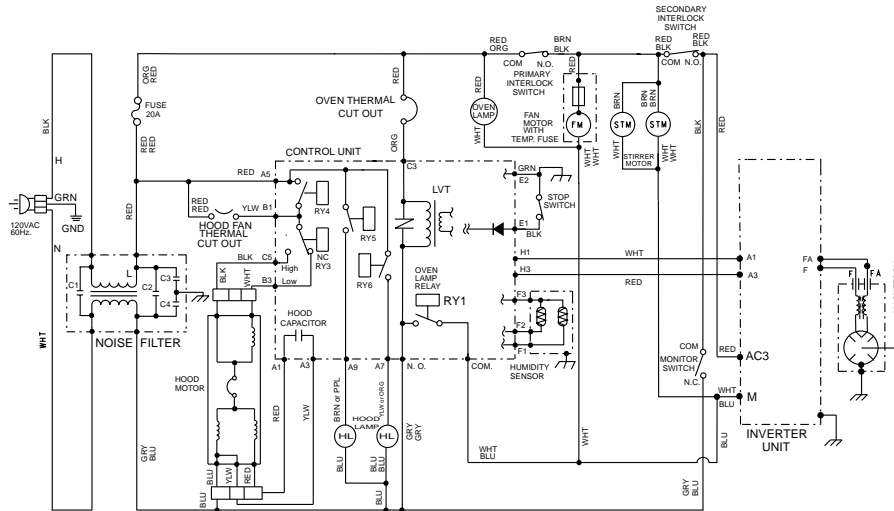
**CONTROL PANEL,DOOR,MISC.**

*Model Index:* A EI30MH55G (EI30MH55GBA)  
 B EI30MH55G (EI30MH55GSA)  
 C EI30MH55G (EI30MH55GWA)  
 D EI30MH55G (EI30MH55GZA)

POS. NO	PART NO.		DESCRIPTION
24 #	75304463127	A B C D	Control Board, printed circuit
25	75304456930	A B C D	Screw, 3 mm x 10 mm
26	75304463148	A B C D	Panel, control mount
27 #	75304463110	A - - -	Control Panel Assy, black
27 #	75304463136	- B - -	Control Panel Assy, stainless
27 #	75304463122	- - C -	Control Panel Assy, white
27 #	75304465313	- - - D	Control Panel Assy, black
28	75304463108	A - - -	Push Button, door, black
28	75304463131	- B - -	Push Button, door, stainless stl
28	75304463123	- - C D	Push Button, door, white
29	75304463160	A B C D	Spring, door button
30	75304463156	A B C D	Door Stop
45	75304440316	A B C D	Spring, door latch
62	75304463107	A - - -	Door Assembly, black
62	75304463126	- B - -	Door Assembly, stainless steel
62	75304463120	- - C -	Door Assembly, white
62	75304468838	- - - D	Door Assembly, black/white
63	75304463176	A B C D	Seal, door, film
64	75304441893	A B C D	Latch, door
66	75304463145	A B C D	Frame, choke cover, inner door
67	75304451561	A B C D	Screw, 4 mm x 8 mm
68	75304463814	A B C D	Hardware Kit, installation
69	75303318761	A B C D	Sleeve, power cord, grommet
70	75303318762	A B C D	Screw, toggle
71	75304453722	A B C D	Screw, 5mm x 60mm
73	75304453723	A B C D	Screw, 5mm x 35mm
74	75304453724	A B C D	Washer
75	75304463180	A B C D	Rack, microwave oven, wire
77	75304463810	A B C D	Template, installation, top/wall
78 #	75304463142	A B C D	Wiring Harness, oven lamp
79 #	75304463139	A B C D	Wiring Harness, high voltage
80 #	75304463141	A B C D	Wiring Harness, stop/PWM
87 #	75304463812	A B C D	Wire, sensor ground
88	75304463813	A B C D	Spacer, scale plate
89 #	75304463140	A B C D	Wiring Harness, main
91	75304463991	A B C D	Sleeve, ferrite, noise reducer
92	75304463992	A B C D	Sleeve, ferrite, noise reducer
95	75304451553	A B C D	Screw, 4 mm x 12 mm

WIRING SCHEMATIC

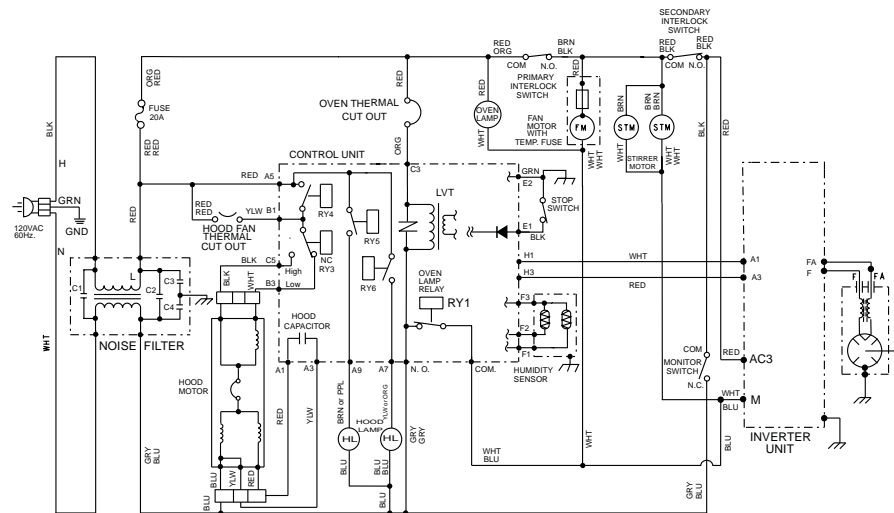
**SCHEMATIC**  
 NOTE: CONDITION OF OVEN  
 1. DOOR CLOSED  
 2. CLOCK APPEARS ON DISPLAY



- NOTES:
1. Circuits / Wire Colors subject to change without notice.
  2. Terminal that located to the right side on the lamp socket's back view must be connected to neutral wire.
  3. Only certain models use the absolute humidity sensor

Figure O-1. Oven Schematic-Off Condition

**SCHEMATIC**  
 NOTE: CONDITION OF OVEN  
 1. DOOR CLOSED  
 2. COOKING TIME PROGRAMMED  
 3. VARIABLE COOKING CONTROL "HIGH"



- NOTES:
1. Circuits / Wire Colors subject to change without notice.
  2. Terminal that located to the right side on the lamp socket's back view must be connected to neutral wire.
  3. Only certain models use the absolute humidity sensor

Figure O-2. Oven Schematic-Cooking Condition