



Electrolux

Factory Parts Catalog

Product No.	EIFLS20QSW00
Market	North America
Color	white
Wiring Diagram	A01211001
Owner's Guide	1329059503

 **Electrolux**

Electrolux Major Appliances

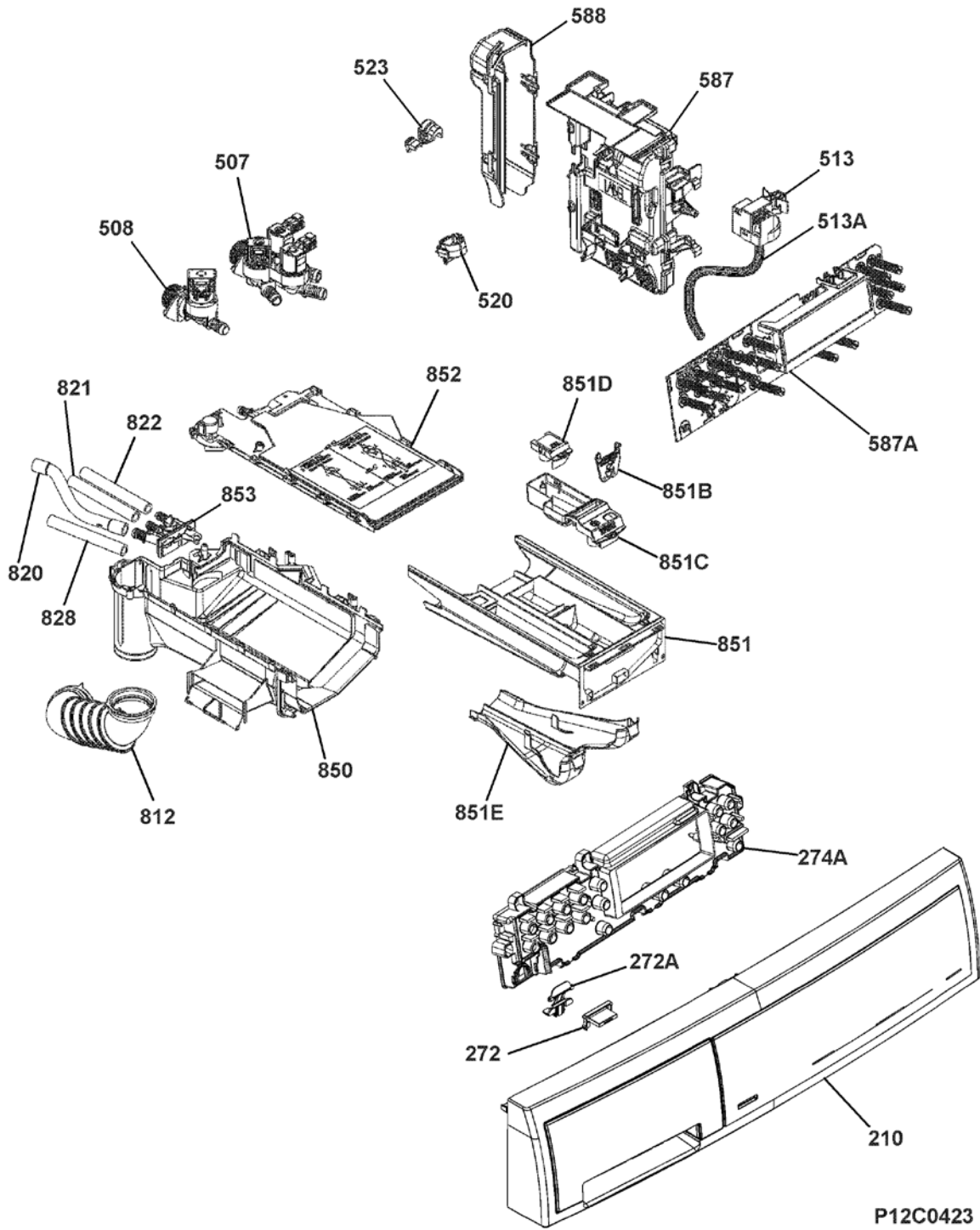
P.O. BOX 8020
CHARLOTTE, NC 28262

Publication No.
5995655809
15/01/20
(EN/SERVICE/SLS)
154

**FRONT-LOAD
WASHING MACHINE**

Model No.
EIFLS20Q

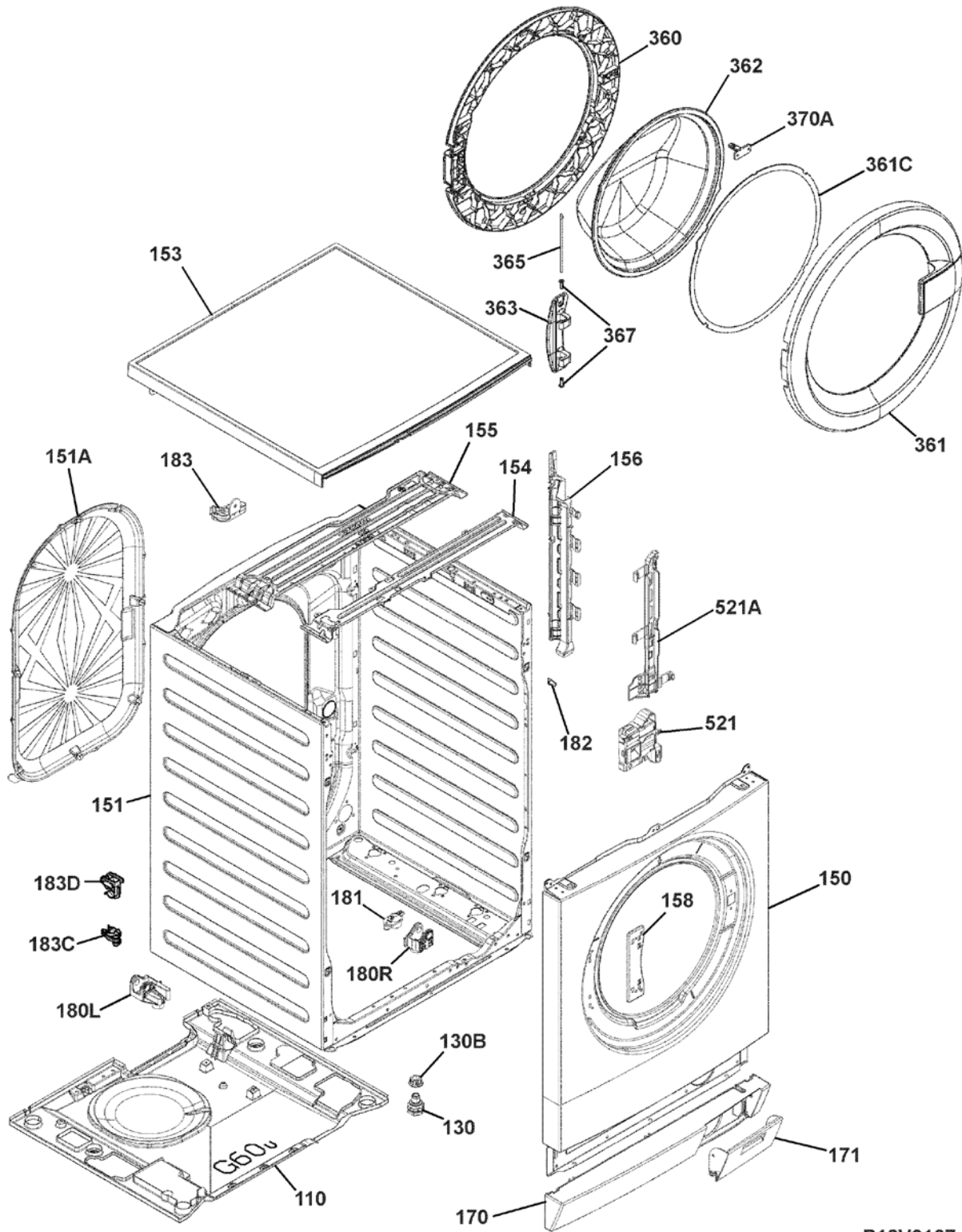
CONTROL PANEL



CONTROL PANEL

POS. NO	PART NO.	DESCRIPTION
210	A01489203	Panel, control console, white
272	136658511	Button, rect on/off, silver
272A	136658601	Spring, button, on/off
274A	136659600	Diffuser, support, luminous diode
507	132518842	Valve, electric 3 ways
508	132744701	Valve, electric, 1 way
513#	A01414101	Switch, pressure
513A	132642330	Tube, pressure switch
520	132766700	Support, wiring harness
523	A02006501	Duct, power cable, UL
587	97391453500000	Control, board, electro, EWX11831, FLWM
587A	136007544	Control, UI board asmy, TC1, TIR, FLWM
588	807021101	Protection, elec board, connection
812	132540400	Hose, detergent fill
820	124734271	Hose, water valve, dispenser
821	132608320	Tube, electric valve, EVWD G33 D=12
822	132118660	Tube, electric valve, Å10mm, L=152, container cup
828	132502480	Tube, elec valve, D=10 L=165, container cup
850	132640843	Dispenser, detergent
851	132507511	Drawer, detergent
851B	132767800	Flap, partition, detergent drawer
851C	809169901	Syphon, additives, det drawer
851D	809169801	Syphon, liquid det, detergent drwr
851E	132507601	Conveyor, bottom, det dwr
852	132507112	Distributor, water, asmy hot
853	132502111	Distributor, water, back, pipe union
*	A01246501	Harness, UI main board
*	A01246601	Harness, motor, inverter
*	105117480	Clamp, hose
*	132315900	Clamp, hose, D 20, 5
*	132315920	Clamp, hose, D 52.5
*	132315940	Clamp, hose, D40
*	132315970	Clamp, hose, D65, 5
*	132511300	Hose, sealing, circulation
*	516230907	Screw, fixing, LCD CB, 3, 5x9, 5, container
*	519092015	Screw, 4, 8x16 PH
*	539151026	Clip, harness
*	5028610800	Clamp, kit, elec valve
*	A01208401	Cable, power
*	A01245501	Harness, heat element
*	A01245601	Harness, elect valve
*	A01245701	Harness, hot water inlet
*	A01245801	Harness, pressure switch
*	A01245901	Harness, invert, 1340mm
*	A01246101	Harness, drain pump
*	A01246201	Harness, inversion, 1180mm
*	A01246301	Harness, door safety, interlock

CABINET/TOP

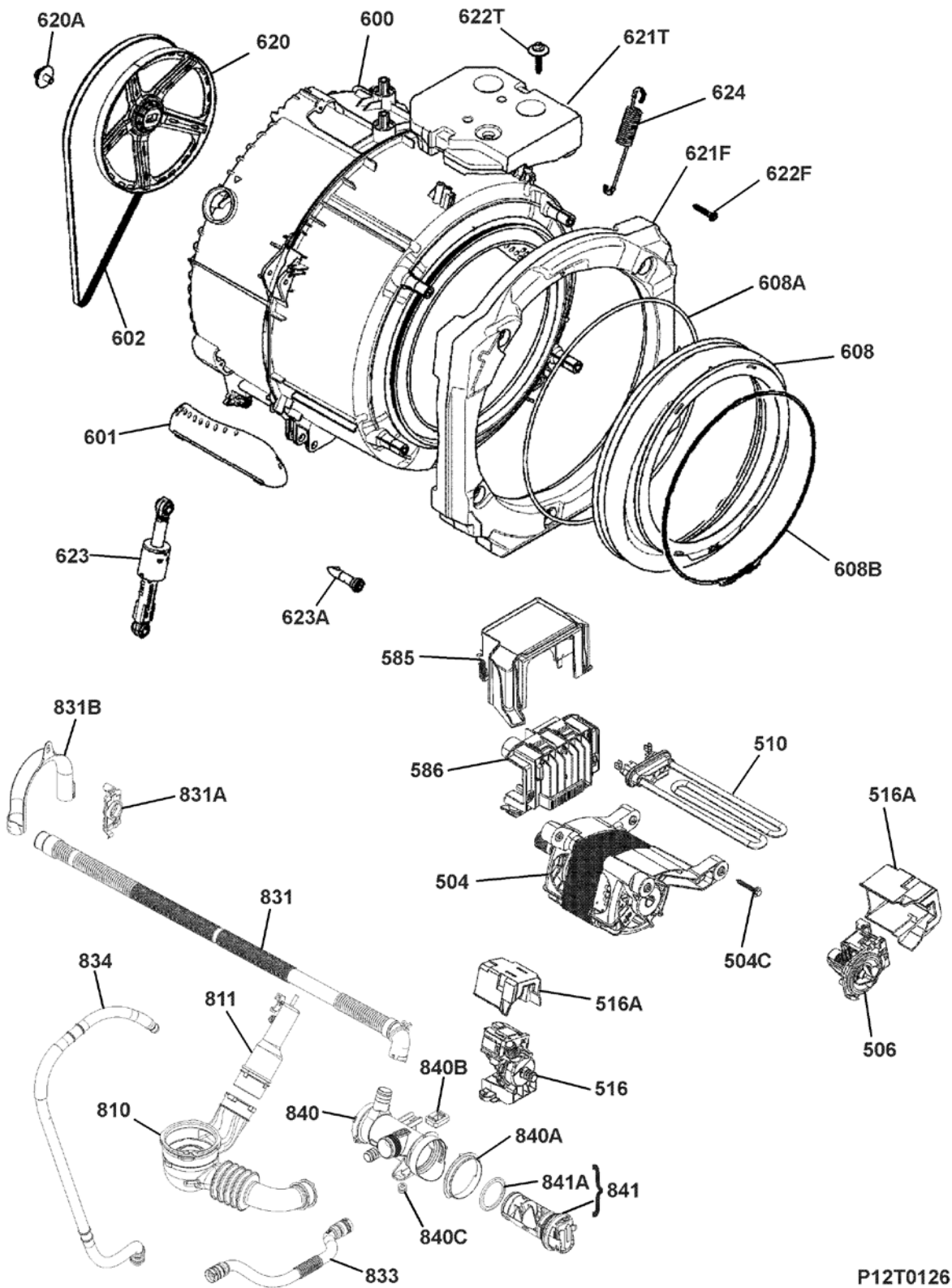


P12V0167

CABINET/TOP

POS. NO	PART NO.	DESCRIPTION
110	A00889001	Base, aqua control
130	132500760	Leg, leveling, screw
130B	110877100	Bushing, leveling leg
150	132763221	Panel, front, white
151	132774330	Panel, back, white
151A	132504042	Panel, service access
153	132760428	Panel, top, white
154	132552804	Bracket, front
155	132550204	Bracket, rear support
156	132768502	Bracket, harness support
158	132766301	Hinge, reinforcement, bracket
170	132764311	Panel, bottom front, white
171	132764402	Door, drain access, white, bottom front
180L	132764600	Bracket, shock absorber, left
180R	132764700	Bracket, shock absorber, right
181	132559902	Cap, support, cushion
182	132476800	Pin, alignment
183	132648502	Support, hoses, rear pnl
183C	132756700	Holder, tube, recirc
183D	132756600	Holder, tube, recirc, horizontal
360	A00923801	Panel, outer door
361	A00845105	Frame, inner door
361C	808991901	Ring, door transition
362	132764000	Panel, door, glass
363	132766200	Hinge, porthole
365	132554120	Pin, door hinge
367	132002600	Hinge, bushing
370A	807654201	Catch, porthole
521	808455304	Lock, door, 40N, 120V, 60Hz
521A	807756001	Cover, door lock, latch
*	132503902	Cap, holes, rear panel
*	132507801	Screw, fixing, 4, 9x9, 5 TE
*	132507913	Screw, includes bolts, 4, 9x8, 5 T
*	405503352	Screw, bracket, cushion
*	519088009	Screw, bracket, 5x20 H, cushion
*	533115822	Clamp, elec valve, hose
*	533118220	Clamp, 18.2

MOTOR/TUB



P12T0126

MOTOR/TUB

POS. NO	PART NO.	DESCRIPTION
504	807003902	Motor, induction, 195V, 300Hz, 585W
504C	124022201	Bolt, 5, 5x38
506	132611913	Pump, drain, 120V, 60Hz, UL
510	137488302	Element, heat w/sensor, 120V, 1000W
516	132510073	Pump, recirc asmy, 120V, 60Hz, UL
516A	132117601	Cover, recirc pump
585	807026303	Cover, inverter, EB
586	A01118401	Inverter, elect board
600	348416840	Shell, outer tub, rear
601	132846600	Vane
602	132353120	Belt, drive, rubber, 1000/1500 HUTC
608	132724611	Bellows, rubber, boot
608A	132562100	Spring, bellows clamp
608B	132556200	Clamp, rubber bellows, spring held
620	5029824900	Pulley, drum drive, rear
620A	132229542	Screw Pack, pulley
621F	132768800	Counterweight, front
621T	132763601	Counterweight, upper, 8.37kg G60
622F	132658901	Screw, counterweight, 5, 8x47, 5 T, front
622T	132729100	Screw, counterweight, 9, 4x43 T, top
623	132744210	Shock Absorber
623A	132780412	Bolt, shock mtng, damper lining
624	132768400	Spring, asmy, tub, suspension
810	132765000	Hose, tub to pump
811	132764800	Chamber, air
812	132540400	Hose, detergent fill
831	132771400	Hose, drain, asmy, L=2540mm
831A	132768003	Clamp, hose, drain, back panel
831B	124291600	Hanger, drain hose, support
833	132768601	Hose, recirculation, intake
834	132756500	Hose, recirculation
840	132765115	Pump, drain, body
840A	132765200	Gasket, pump body, front panel
840B	132501401	Buffer, upper pump body
840C	132514200	Compensator, space, fixing, pump body
841	132765801	Filter, asmy, diaphragm
841A	132071200	Seal, filter, strain
*	132507903	Screw, includes bolts, 4, 9x8, 5 T

WIRING DIAGRAM

