

## Factory Parts Catalog

|                           |               |               |
|---------------------------|---------------|---------------|
| Product No.               | EIGD55HIW1    | EIGD55HMB2    |
| Market                    | North America | North America |
| Color                     | white         | MED. Blue     |
| Volts                     | 120           | 120           |
| Wiring Diagram            | 134793300     | 134793300     |
| Owner's Guide             | 137018300     | 137018300     |
| Installation Instructions | 137018200     | 137018200     |



Electrolux Major Appliances  
 North & Latin America  
 P.O. BOX 212378  
 AUGUSTA, GA 30917

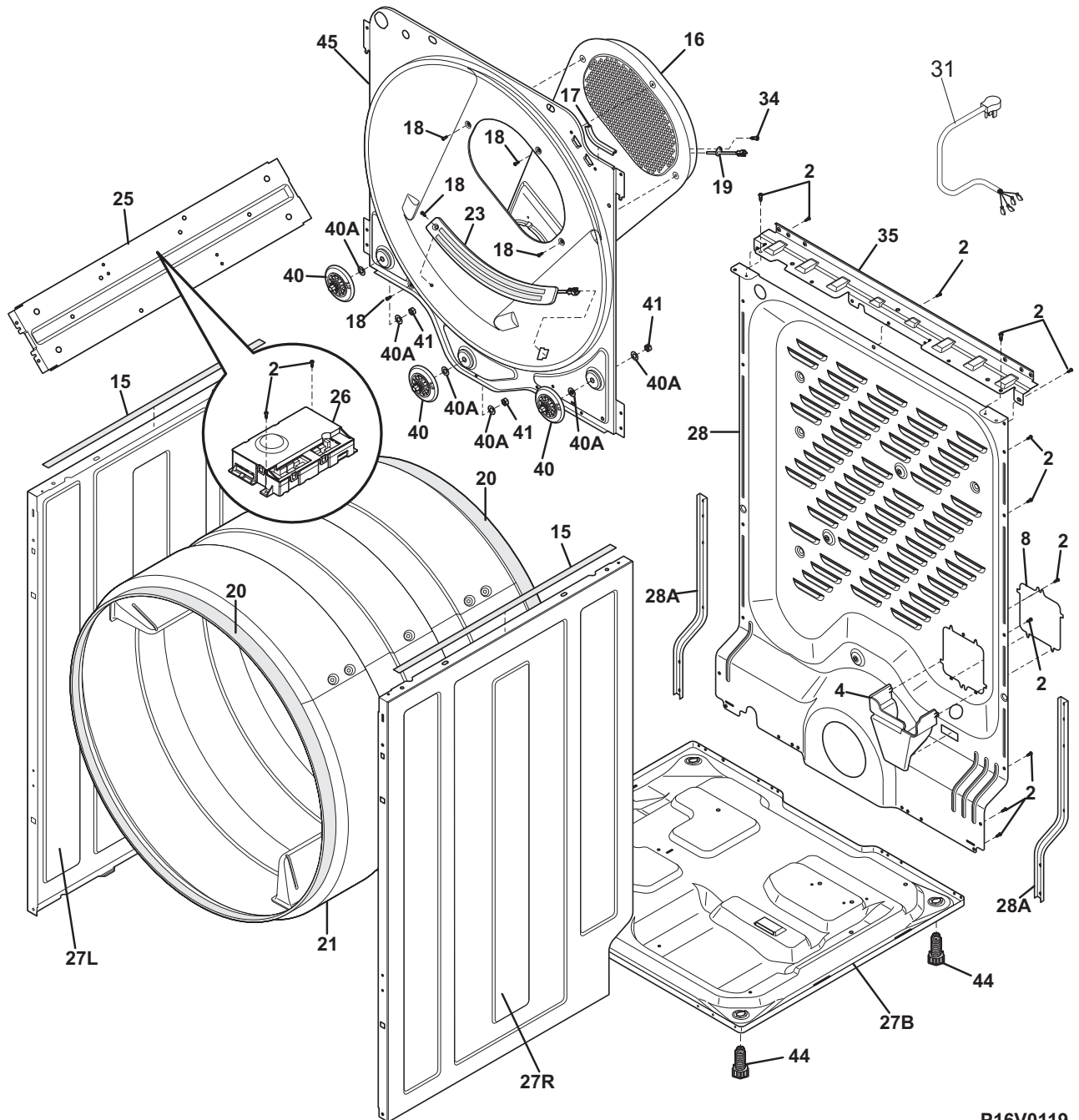
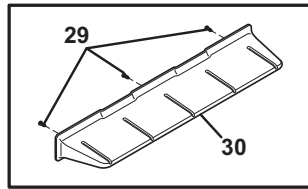
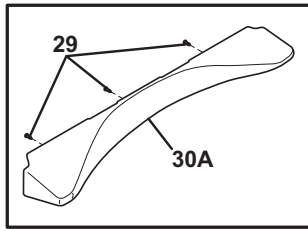
Publication No.  
**5995553830**  
 09/10/14  
 (EN/SERVICE/WTC)  
 154

### GAS DRYER

Model No.  
**EIGD55H**

Copyright © 2009 Electrolux Home Products, Inc.  
 All rights reserved.

CABINET/DRUM



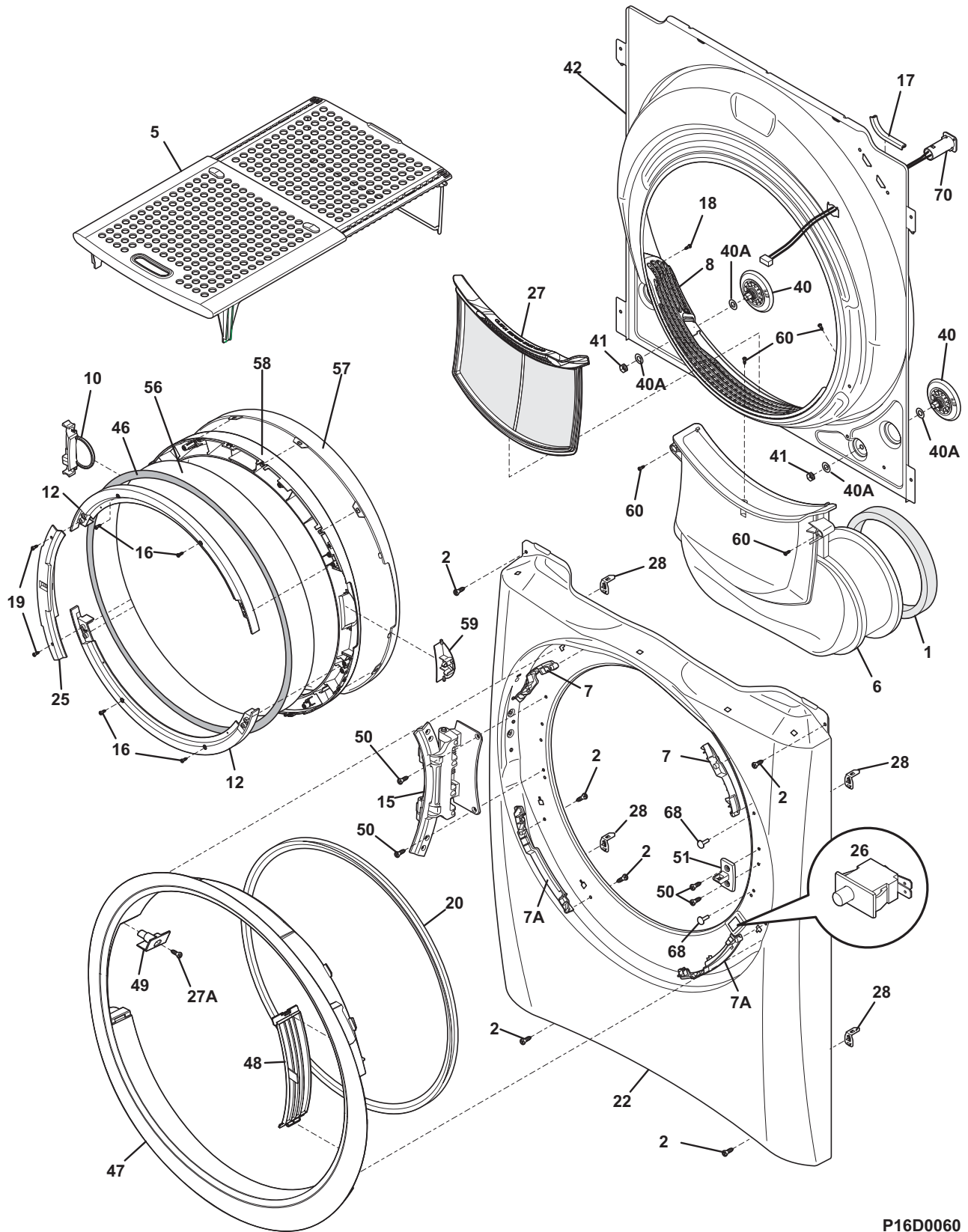
P16V0119

**CABINET/DRUM**

*Model Index:* A EIGD55H (EIGD55HIW1)  
B EIGD55H (EIGD55HMB2)

| POS. NO | PART NO.    |     | DESCRIPTION                                     |
|---------|-------------|-----|---|
| 2       | 7131168200  | A B | Screw, pan head, 8-18B x 0.31                   |
| 4       | 7134792100  | A B | Bracket, main, terminal                         |
| 8       | 7134694400  | A B | Cover, terminal block                           |
| 15      | 7137031800  | A B | Cushion, vibration, top panel                   |
| 16      | 7137199820  | A B | Duct, heat, rear                                |
| 17      | 7134792900  | A B | Protector, edge, right top front                |
| 18      | 7131477000  | A B | Screw, 10-16AB x 0.375                          |
| 19      | 7134711200  | A B | Thermistor, inlet                               |
| 20      | 7134705900  | A B | Seal, felt, drum                                |
| 20*     | 75308027429 | A B | Adhesive, high temp                             |
| 21      | 7134708210  | A B | Drum, dryer, assembly 38"                       |
| 23 #    | 7134786100  | A B | Sensor-moisture, assembly                       |
| 23*     | 7134930800  | A B | Harness, moisture sensor                        |
| 25      | 7134909700  | A B | Bracket, mounting, main control bx              |
| 26 #    | 7134788400  | A - | Control Board, main, with housing               |
| 26 #    | 7134788410  | - B | Control Board, main, with housing               |
| 27B     | 7134690200  | A B | Base, dryer                                     |
| 27L     | 7134712610  | A - | Panel, left side, white                         |
| 27L     | 7134712615  | - B | Panel, left side, blue                          |
| 27R     | 7134712710  | A - | Panel, right side, white                        |
| 27R     | 7134712715  | - B | Panel, right side, blue                         |
| 28      | 7134713000  | A B | Panel, backsheet, rear                          |
| 28A     | 7137029800  | A B | Bracket, reinforcement, backsheet               |
| 29      | 7131205100  | A B | Screw, #8 pan head, 10-10B x 0.500, cr/sq drive |
| 30      | 7137033700  | A B | Vane, drum                                      |
| 30A     | 7137028500  | A B | Vane, mixing, smooth                            |
| 31 #    | 7134501000  | A B | Power Cord, electric svce                       |
| 31*     | 7134790900  | A B | Strain Relief, 120, pwr cord                    |
| 34      | 7131243700  | A B | Screw, pan head, 8-18AB x 0.375                 |
| 35      | 7134713100  | A B | Bracket, top panel mtg., rear                   |
| 40      | 7134715900  | A B | Roller, wheel, complete asmy                    |
| 40*     | 7134716200  | A B | Retainer, roller wheel, assembly                |
| 40A     | 7134716700  | A B | Washer, flat                                    |
| 41      | 7134716800  | A B | Nut, 3/8-16                                     |
| 44      | 7134158000  | A B | Leveling Leg, screw                             |
| 45      | 7134712810  | A B | Bulkhead, partition, rear                       |

FRONT PANEL/LINT FILTER



P16D0060

---

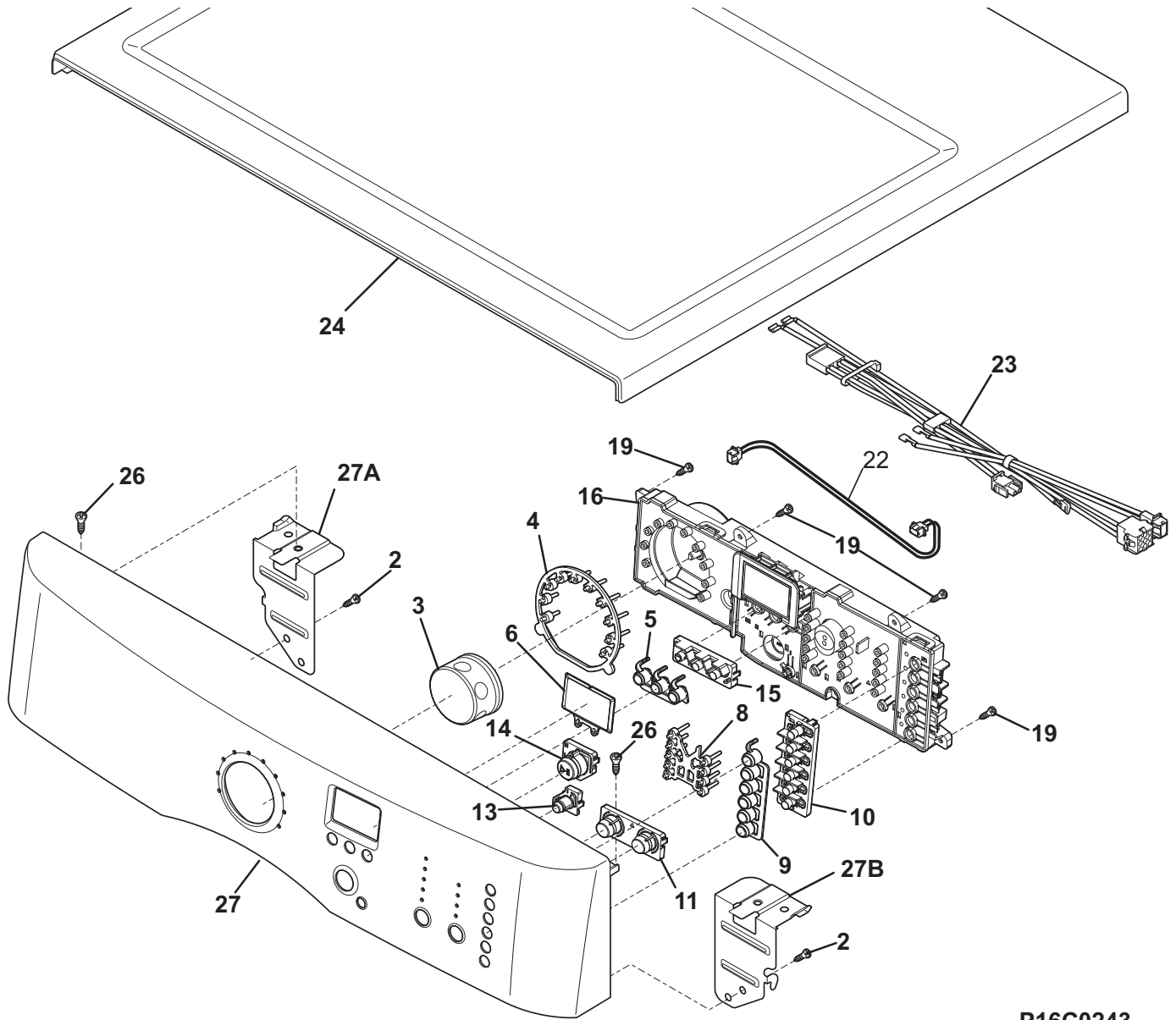
**FRONT PANEL/LINT FILTER**


---

*Model Index:* A EIGD55H (EIGD55HIW1)  
B EIGD55H (EIGD55HMB2)

| POS. NO | PART NO.    |     | DESCRIPTION                                  |
|---------|-------------|-----|--|
| 1       | 7134784700  | A B | Seal, air duct                               |
| 2       | 7131168200  | A B | Screw, pan head, 8-18B x 0.31                |
| 5       | 7134912700  | A B | Rack, drying                                 |
| 6       | 7134708300  | A B | Duct, air                                    |
| 7       | 7137046800  | A B | Bracket, trim ring mtg, upper                |
| 7A      | 7137046700  | A B | Bracket, trim ring, mounting                 |
| 8       | 7134700900  | A B | Cover, lint housing                          |
| 10      | 7134933900  | A B | Assembly, indicator, complete                |
| 12      | 7134696900  | A B | Frame, inner door                            |
| 15      | 7134704600  | A B | Hinge, dryer door                            |
| 15*     | 7134601900  | A B | Screw, flat head, M5 x .8 x 17.5             |
| 16      | 7134788000  | A B | Screw, #8 X1.18, pan hd                      |
| 17      | 7134792900  | A B | Protector, edge, right top front             |
| 18      | 7131477000  | A B | Screw, 10-16AB x 0.375                       |
| 19      | 7134790400  | A B | Screw, #10X1.25, oval head                   |
| 20      | 7137066300  | A B | Gasket, front panel                          |
| 20*     | 75308027429 | A B | • Adhesive, high temp                        |
| 22      | 7134696310  | A - | Panel, front, white                          |
| 22      | 7134696315  | - B | Panel, front, blue                           |
| 25      | 7134703700  | A B | Latch, PUSH - PUSH, door                     |
| 26 #    | 7131843100  | A - | Switch, door                                 |
| 26 #    | 7134813660  | - B | Switch, door, rectangle, gray                |
| 26*     | 7134793200  | A B | Harness, door switch                         |
| 27      | 7134793600  | A B | Filter, lint, complete                       |
| 27A     | 7134790600  | A B | Screw, #10-24 X 1.0", pan hd                 |
| 28      | 7137034500  | A B | Clip, mounting, cabinet front                |
| 40      | 7134715900  | A B | Roller, wheel, complete asmy                 |
| 40*     | 7134716200  | A B | Retainer, roller wheel, assembly             |
| 40A     | 7134716700  | A B | Washer, flat                                 |
| 41      | 7134716800  | A B | Nut, 3/8-16                                  |
| 42      | 7134695905  | A B | Bulkhead, panel, front                       |
| 46      | 7134934900  | A B | Gasket, door glass                           |
| 47      | 7134618800  | A B | Trim, front panel                            |
| 48      | 7134618900  | A B | Cover, trim ring                             |
| 49      | 7134651200  | A B | Retainer, trim ring                          |
| 50      | 7131303300  | A B | Screw, pan head, 10-16AB x 0.500, locking    |
| 51      | 7134704300  | A B | Striker, front panel                         |
| 56      | 7134701900  | A B | Glass, door                                  |
| 57      | 7134932900  | A B | Lens, decorated door                         |
| 58      | 7134697200  | A B | Panel, outer door                            |
| 59      | 7134931500  | A B | Cover, indicator hole                        |
| 60      | 7134430300  | A B | Screw, indt pan head, 10-14 x 0.625, quadrex |
| 68      | 7134742000  | A - | Plug, hinge hole, white                      |
| 68      | 7134742002  | - B | Plug, hinge hole, grey                       |
| 70      | 7134695000  | A B | Lamp, drum, complete                         |

**CONTROLS/TOP PANEL**



P16C0243

---

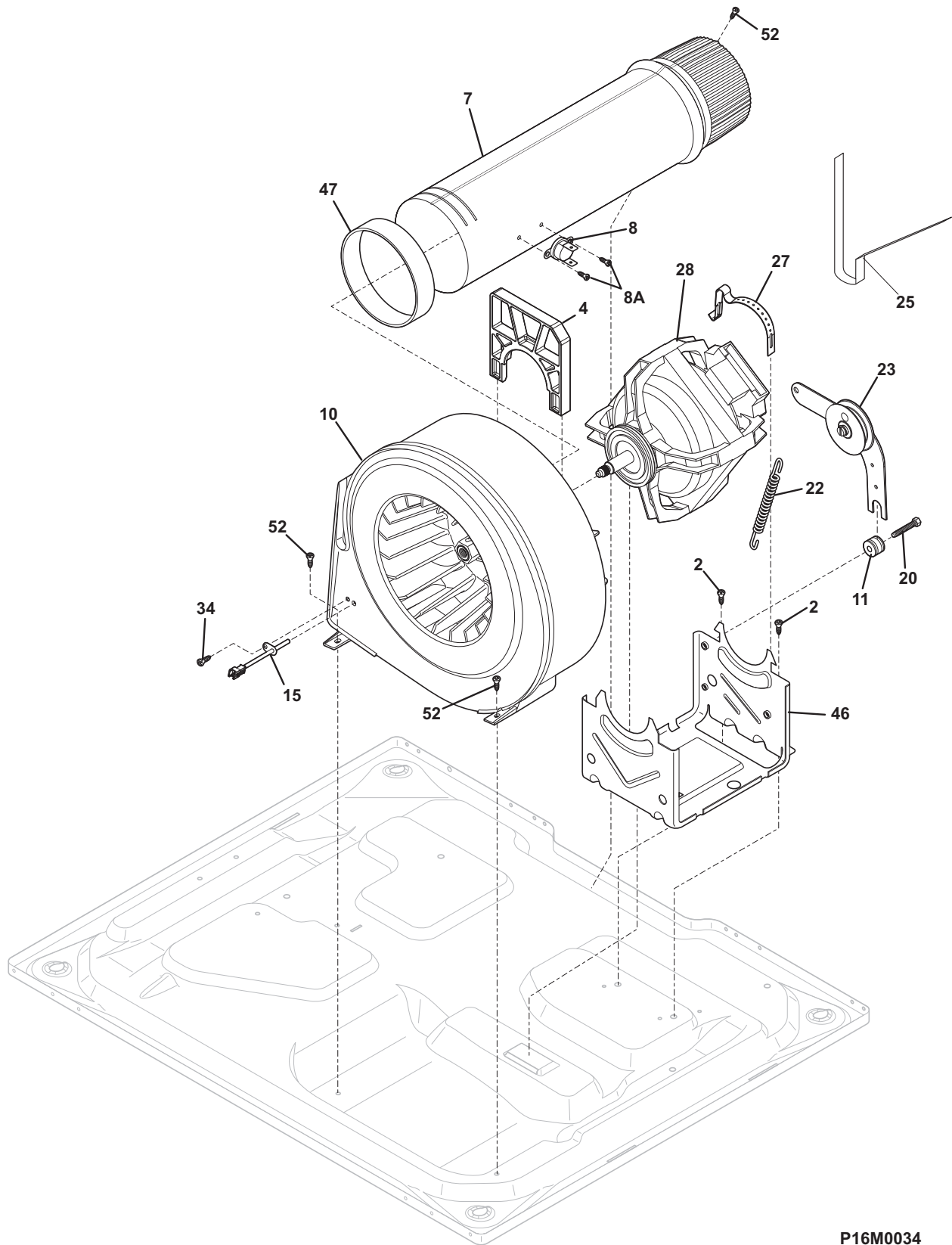
**CONTROLS/TOP PANEL**


---

*Model Index:* A EIGD55H (EIGD55HIW1)  
B EIGD55H (EIGD55HMB2)

| POS. NO | PART NO.   |     | DESCRIPTION                                     |
|---------|------------|-----|---|
| 2       | 7131168200 | A B | Screw, pan head, 8-18B x 0.31                   |
| 3       | 7134766500 | A B | Knob, retracting, complete asmy                 |
| 4       | 7134907400 | A B | Pipe, knob light                                |
| 5       | 7134872100 | A B | Ring, display button, light                     |
| 6       | 7134767700 | A B | Lens, LCD                                       |
| 8       | 7134902210 | A B | Pipe, modifier light, group 2&3                 |
| 9       | 7134894200 | A B | Ring, option button, light                      |
| 10      | 7137032300 | A B | Button, option                                  |
| 11      | 7137032200 | A B | Button, modifier, button 2 & 3                  |
| 13      | 7137032000 | A B | Button, off                                     |
| 14      | 7137015900 | A B | Button, start/pause                             |
| 15      | 7137031900 | A B | Button, display                                 |
| 16 #    | 7134994700 | A B | Control Board, printed circuit, with housing    |
| 19      | 7134402900 | A B | Screw, Phillips, 6-19 x 0.650                   |
| 22 #    | 7134790700 | A B | Harness, user interface                         |
| 23 #    | 7134791500 | A B | Harness, wire main gas                          |
| 24      | 7134638510 | A - | Panel, work top, white                          |
| 24      | 7134638515 | - B | Panel, work top, blue                           |
| 24*     | 7134926600 | A B | Damper, sound                                   |
| 26      | 7131205100 | A B | Screw, #8 pan head, 10-10B x 0.500, cr/sq drive |
| 27      | 7134995210 | A - | Panel, control, white, decorated                |
| 27      | 7134995215 | - B | Panel, control, blue                            |
| 27A     | 7134710900 | A B | Bracket, control panel, left hand, mounting     |
| 27B     | 7134711000 | A B | Bracket, control panel, right hand, mounting    |

**MOTOR**



P16M0034

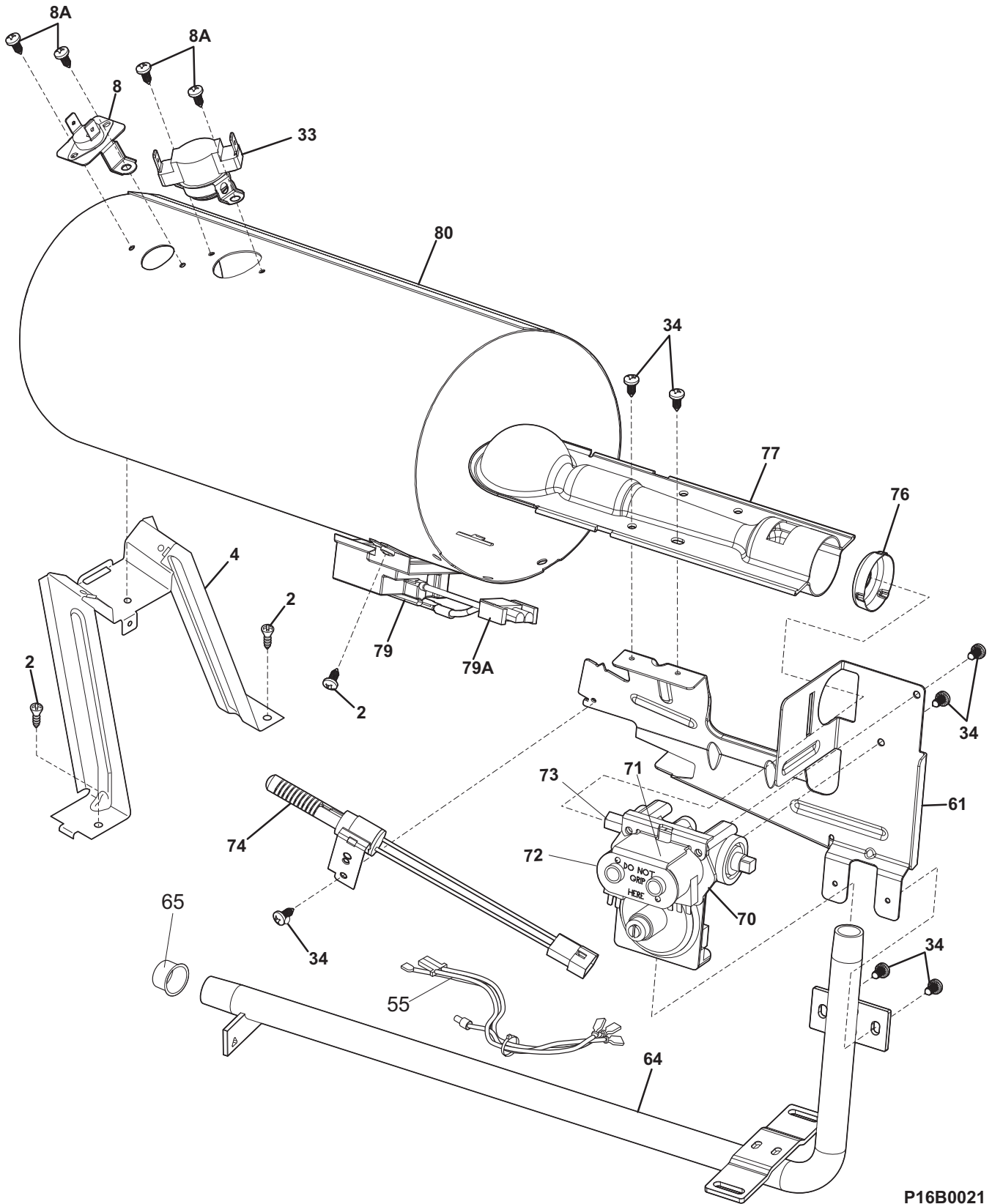


**MOTOR**

*Model Index:* A EIGD55H (EIGD55HIW1)  
B EIGD55H (EIGD55HMB2)

| POS. NO | PART NO.   |     | DESCRIPTION  |
|---------|------------|-----|--|
| 2       | 7131168200 | A B | Screw, pan head, 8-18B x 0.31                                |
| 4       | 7134707900 | A B | Lock, blower housing   |
| 7       | 7134693900 | A B | Tube, exhaust, rear  |
| 8 #     | 7134711400 | A B | LIMITER, thermal, exhaust, flush mount                       |
| 8A      | 7134935200 | A B | Screw, #8-32 X .25, W/#6 QUADREXPAN                          |
| 10      | 7134690800 | A B | Blower, housing, complete                                    |
| 11      | 7131749800 | A B | Spacer, idler  |
| 15      | 7134711300 | A B | Thermister, exhaust  |
| 20      | 7131017900 | A B | Screw, hex head, 1/4-20T x 1.25, spacer mtg., thread cutting |
| 22      | 7131601000 | A B | Spring, idler arm  |
| 23      | 7134793500 | A B | Idler Arm Assy, w/pulley                                     |
| 25 #    | 7134719300 | A B | Belt, "H", poly V, 5 rib                                     |
| 27      | 7134242400 | A B | Clamp, motor mtg.  |
| 28 #    | 7137115900 | A B | Motor, dryer drive, with pulley                              |
| 34      | 7131243700 | A B | Screw, pan head, 8-18AB x 0.375                              |
| 46      | 7134707400 | A B | Bracket, motor cradle  |
| 47      | 7131633300 | A B | Seal, exhaust tube   |
| 52      | 7137034600 | A B | Screw, #10-16X0.375  |

**BURNER**



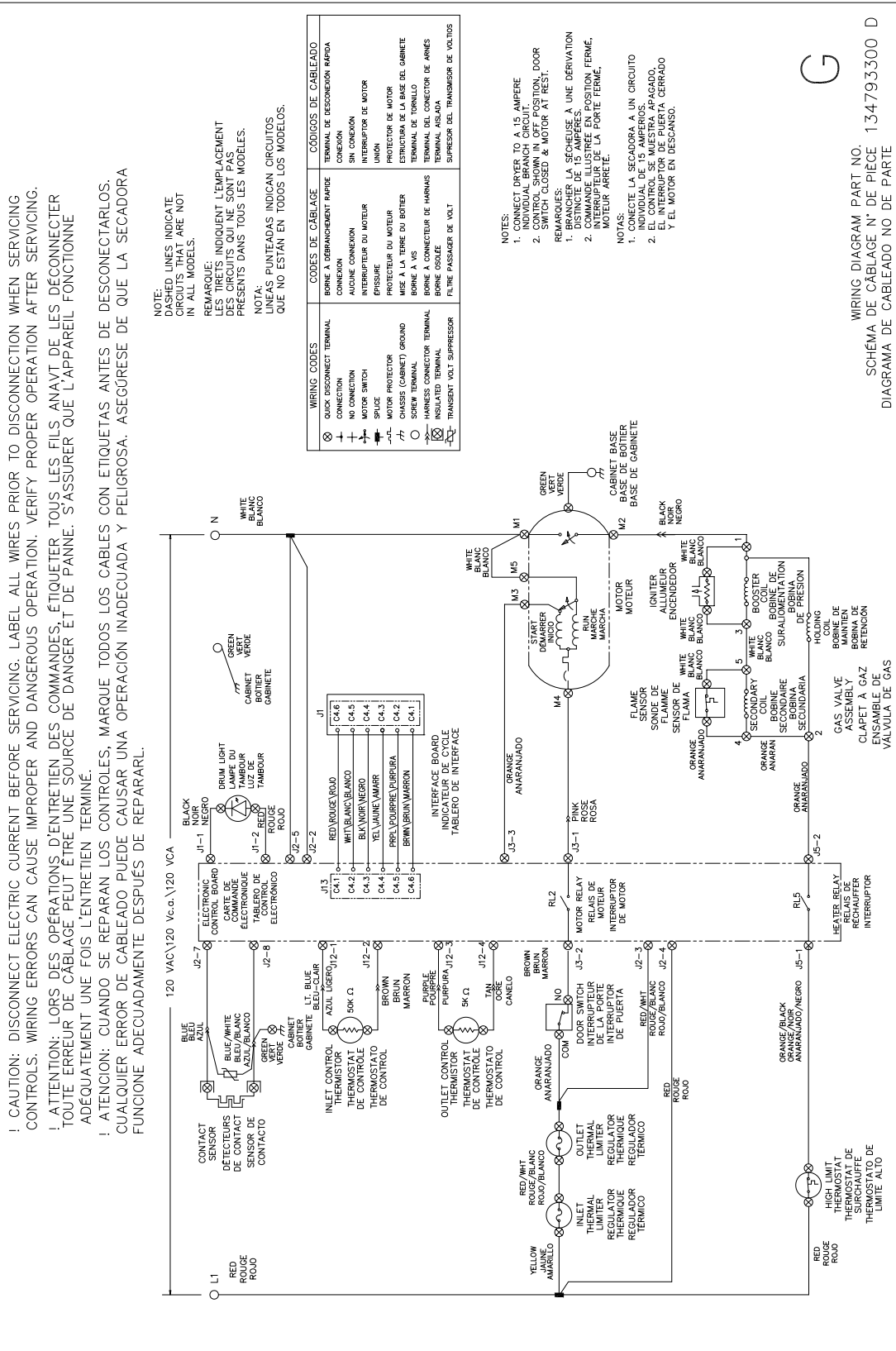
P16B0021

**BURNER**

*Model Index:* A EIGD55H (EIGD55HIW1)  
B EIGD55H (EIGD55HMB2)

| POS. NO | PART NO.    |     | DESCRIPTION                         |
|---------|-------------|-----|-------------------------------------|
| 2       | 7131168200  | A B | Screw, pan head, 8-18B x 0.31       |
| 4       | 7134713900  | A B | Bracket, heater/burner, mounting    |
| 8 #     | 7134711500  | A B | LIMITER, thermal                    |
| 8A      | 7134935200  | A B | Screw, #8-32 X .25, W/#6 QUADREXPAN |
| 33 #    | 7137116700  | A B | Thermostat, high limit              |
| 34      | 7131243700  | A B | Screw, pan head, 8-18AB x 0.375     |
| 55      | 7137029500  | A B | Harness, burner                     |
| 61      | 7134715800  | A B | Bracket, gas valve                  |
| 64      | 7137019000  | A B | Pipe, gas                           |
| 65      | 708015112   | A B | Cap, pipe                           |
| 70 #    | 75303207409 | A B | Valve, gas                          |
| 71 #    | 75303307291 | A B | Coil, secondary                     |
| 72 #    | 75303307292 | A B | Coil, booster                       |
| 73 #    | 75303207410 | A B | Orifice, natural gas, size 44       |
| 74 #    | 7134192000  | A B | Igniter Assy                        |
| 76      | 7134714400  | A B | Collar, alignment, gas valve        |
| 77 #    | 7134197700  | A B | Burner, gas                         |
| 79 #    | 75303281135 | A B | Sensor, radiant                     |
| 79A     | 7134259100  | A B | Harness, flame sensor               |
| 80 #    | 7134692500  | A B | Tube, burner                        |

WIRING DIAGRAM



G

WIRING DIAGRAM PART NO. 134793300 D  
 SCHEMA DE CÂBLAGE N° DE PIÈCE 134793300 D  
 DIAGRAMA DE CABLEADO NO DE PARTE