

## Factory Parts Catalog

Product No.	EIGD55IKG2	EIGD55IRR2
Market	North America	North America
Color	green	red
Volts	120	120
Wiring Diagram	134793300	134793300
Owner's Guide	137018300	137018300
Installation Instructions	137018200	137018200



Electrolux Major Appliances  
 North & Latin America  
 P.O. BOX 212378  
 AUGUSTA, GA 30917

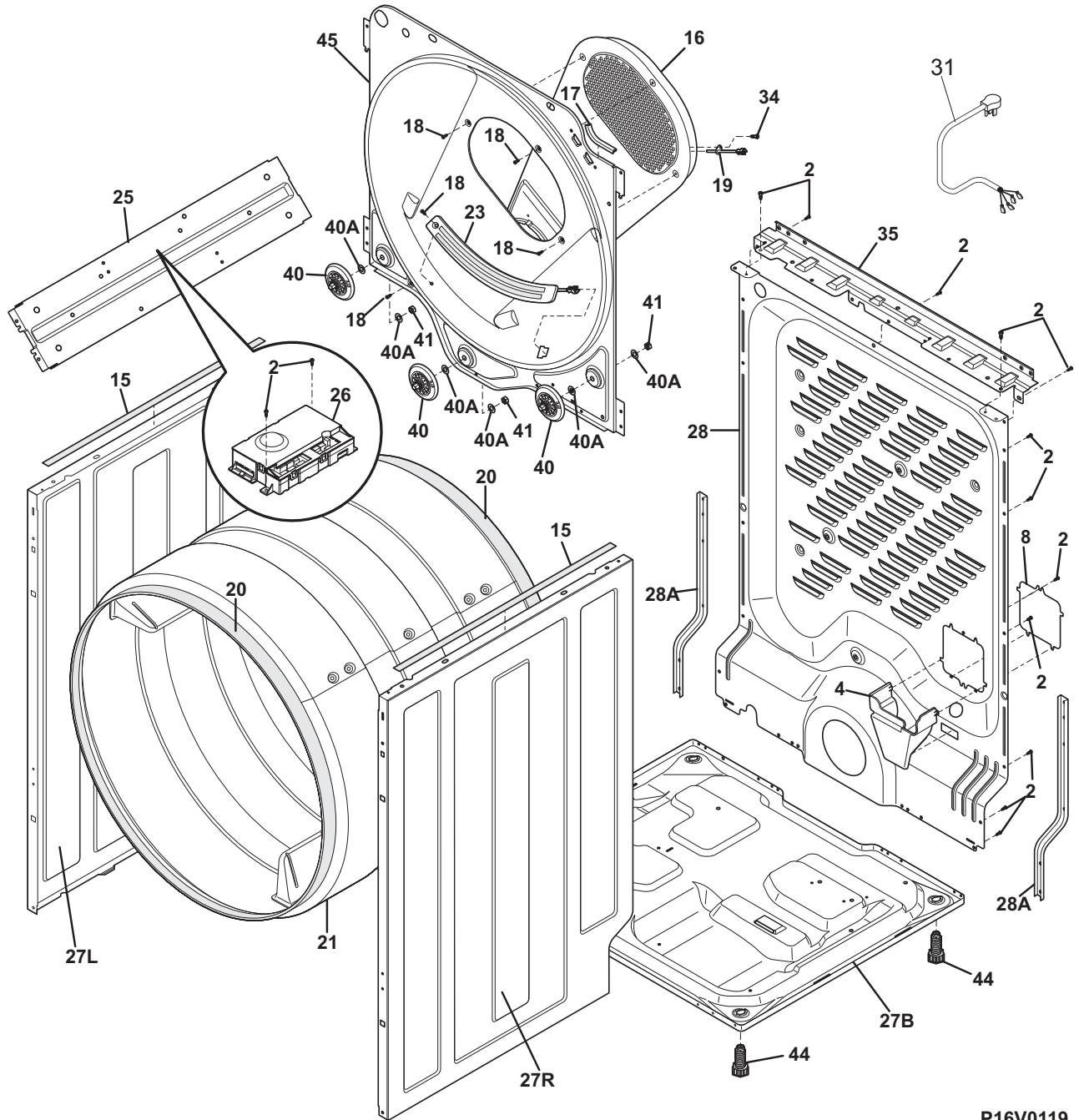
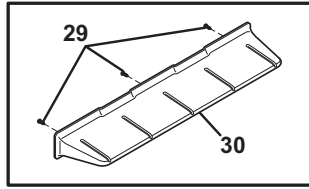
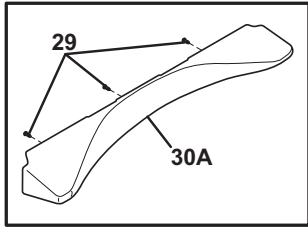
Publication No.  
**5995553913**  
 09/10/16  
 (EN/SERVICE/WTC)  
 154

### GAS DRYER

Model No.  
**EIGD55I**

Copyright © 2009 Electrolux Home Products, Inc.  
 All rights reserved.

CABINET/DRUM



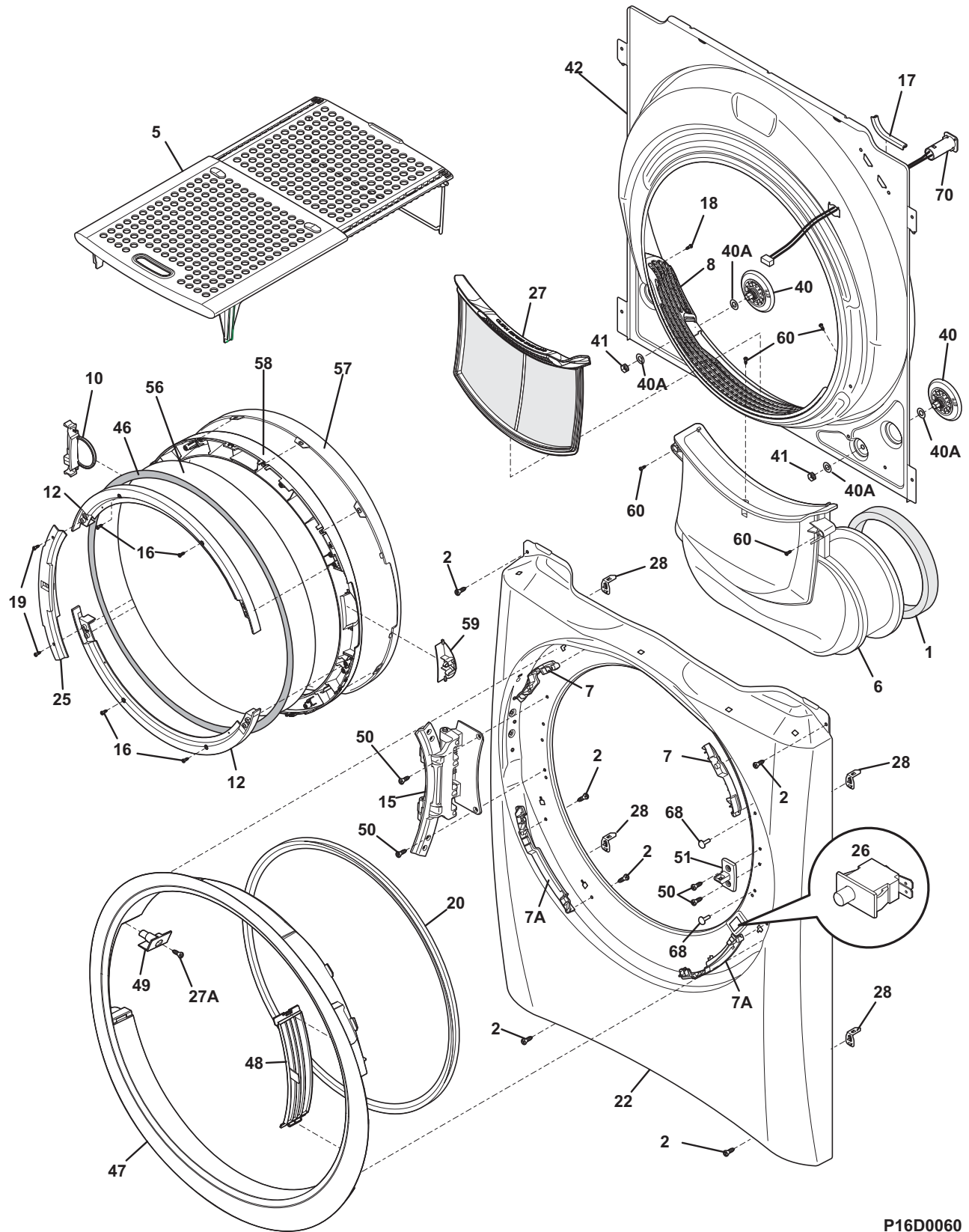
P16V0119

**CABINET/DRUM**

*Model Index:* A EIGD55I (EIGD55IKG2)  
B EIGD55I (EIGD55IRR2)

POS. NO	PART NO.		DESCRIPTION
2	7131168200	A B	Screw, pan head, 8-18B x 0.31
4	7134792100	A B	Bracket, main, terminal
8	7134694400	A B	Cover, terminal block
15	7137031800	A B	Cushion, vibration, top panel
16	7137199820	A B	Duct, heat, rear
17	7134792900	A B	Protector, edge, right top front
18	7131477000	A B	Screw, 10-16AB x 0.375
19	7134711200	A B	Thermistor, inlet
20	7134705900	A B	Seal, felt, drum
20*	75308027429	A B	Adhesive, high temp
21	7134708210	A B	Drum, dryer, assembly 38"
23 #	7134786100	A B	Sensor-moisture, assembly
23*	7134930800	A B	Harness, moisture sensor
25	7134909700	A B	Bracket, mounting, main control bx
26 #	7134788410	A B	Control Board, main, with housing
27B	7134690200	A B	Base, dryer
27L	7134712675	A -	Panel, left side, green
27L	7134712630	- B	Panel, left side, red
27R	7134712775	A -	Panel, right side, green
27R	7134712730	- B	Panel, right side, red
28	7134713000	A B	Panel, backsheet, rear
28A	7137029800	A B	Bracket, reinforcement, backsheet
29	7131205100	A B	Screw, #8 pan head, 10-10B x 0.500, cr/sq drive
30	7137033700	A B	Vane, drum
30A	7137028500	A B	Vane, mixing, smooth
31 #	7134501000	A B	Power Cord, electric svce
31*	7134790900	A B	Strain Relief, 120, pwr cord
34	7131243700	A B	Screw, pan head, 8-18AB x 0.375
35	7134713100	A B	Bracket, top panel mtg., rear
40	7134715900	A B	Roller, wheel, complete asmy
40*	7134716200	A B	Retainer, roller wheel, assembly
40A	7134716700	A B	Washer, flat
41	7134716800	A B	Nut, 3/8-16
44	7134158000	A B	Leveling Leg, screw
45	7134712810	A B	Bulkhead, partition, rear

FRONT PANEL/LINT FILTER



P16D0060

---

**FRONT PANEL/LINT FILTER**


---

*Model Index:* A EIGD55I (EIGD55IKG2)  
B EIGD55I (EIGD55IRR2)

POS. NO	PART NO.		DESCRIPTION
1	7134784700	A B	Seal, air duct
2	7131168200	A B	Screw, pan head, 8-18B x 0.31
5	7134912700	A B	Rack, drying
6	7134708300	A B	Duct, air
7	7137046800	A B	Bracket, trim ring mtg, upper
7A	7137046700	A B	Bracket, trim ring, mounting
8	7134700900	A B	Cover, lint housing
10	7134933900	A B	Assembly, indicator, complete
12	7134696900	A B	Frame, inner door
15	7134704600	A B	Hinge, dryer door
15*	7134601900	A B	Screw, flat head, M5 x .8 x 17.5
16	7134788000	A B	Screw, #8 X1.18, pan hd
17	7134792900	A B	Protector, edge, right top front
18	7131477000	A B	Screw, 10-16AB x 0.375
19	7134790400	A B	Screw, #10X1.25, oval head
20	7137066300	A B	Gasket, front panel
20*	75308027429	A B	• Adhesive, high temp
22	7134696375	A -	Panel, front, green
22	7134696330	- B	Panel, front, red
25	7134703700	A B	Latch, PUSH - PUSH, door
26 #	7134813660	A B	Switch, door, rectangle, gray
26*	7134793200	A B	Harness, door switch
27	7134793600	A B	Filter, lint, complete
27A	7134790600	A B	Screw, #10-24 X 1.0", pan hd
28	7137034500	A B	Clip, mounting, cabinet front
40	7134715900	A B	Roller, wheel, complete asmy
40*	7134716200	A B	Retainer, roller wheel, assembly
40A	7134716700	A B	Washer, flat
41	7134716800	A B	Nut, 3/8-16
42	7134695905	A B	Bulkhead, panel, front
46	7134934900	A B	Gasket, door glass
47	7134618800	A B	Trim, front panel
48	7134618900	A B	Cover, trim ring
49	7134651200	A B	Retainer, trim ring
50	7131303300	A B	Screw, pan head, 10-16AB x 0.500, locking
51	7134704300	A B	Striker, front panel
56	7134701900	A B	Glass, door
57	7134932900	A B	Lens, decorated door
58	7134697200	A B	Panel, outer door
59	7134931500	A B	Cover, indicator hole
60	7134430300	A B	Screw, indt pan head, 10-14 x 0.625, quadrex
68	7134742002	A B	Plug, hinge hole, grey
70	7134695000	A B	Lamp, drum, complete



---

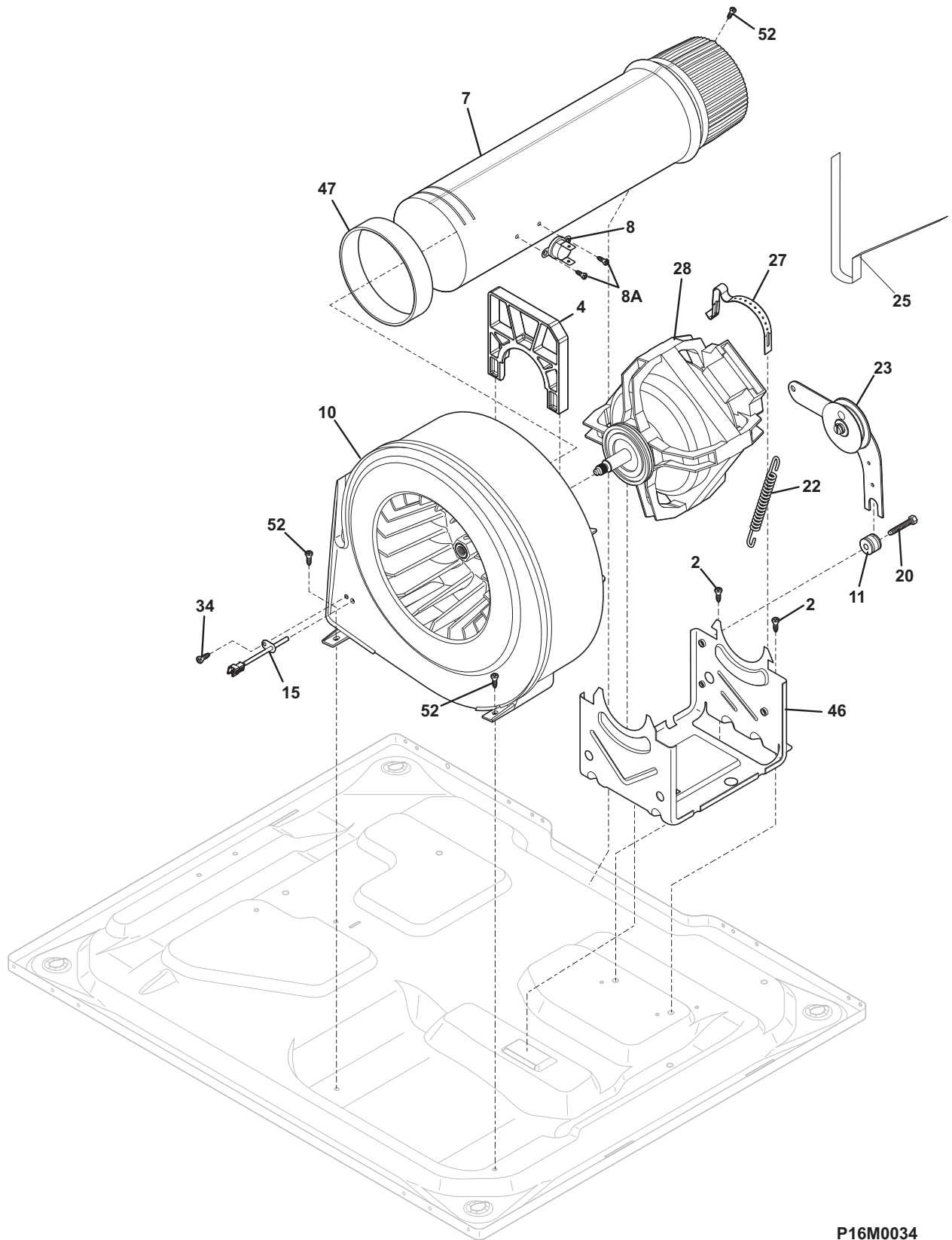
**CONTROLS/TOP PANEL**


---

*Model Index:* A EIGD55I (EIGD55IKG2)  
 B EIGD55I (EIGD55IRR2)

POS. NO	PART NO.		DESCRIPTION
2	7131168200	A B	Screw, pan head, 8-18B x 0.31
3	7134766500	A B	Knob, retracting, complete asmy
4	7134907400	A B	Pipe, knob light
5	7134872100	A B	Ring, display button, light
6	7134767700	A B	Lens, LCD
8	7134902210	A B	Pipe, modifier light, group 2&3
9	7134894200	A B	Ring, option button, light
10	7137032300	A B	Button, option
11	7137032200	A B	Button, modifier, button 2 & 3
13	7137032000	A B	Button, off
14	7137015900	A B	Button, start/pause
15	7137031900	A B	Button, display
16 #	7134994700	A B	Control Board, printed circuit, with housing
19	7134402900	A B	Screw, Phillips, 6-19 x 0.650
22 #	7134790700	A B	Harness, user interface
23 #	7134791500	A B	Harness, wire main gas
24	7134638575	A -	Panel, work top, Kelly Green
24	7134638530	- B	Panel, work top, red
24*	7134926600	A B	Damper, sound
26	7131205100	A B	Screw, #8 pan head, 10-10B x 0.500, cr/sq drive
27	7134995275	A -	Panel, control console, green
27	7134995230	- B	Panel, control console, red, decorated
27A	7134710900	A B	Bracket, control panel, left hand, mounting
27B	7134711000	A B	Bracket, control panel, right hand, mounting

**MOTOR**



P16M0034

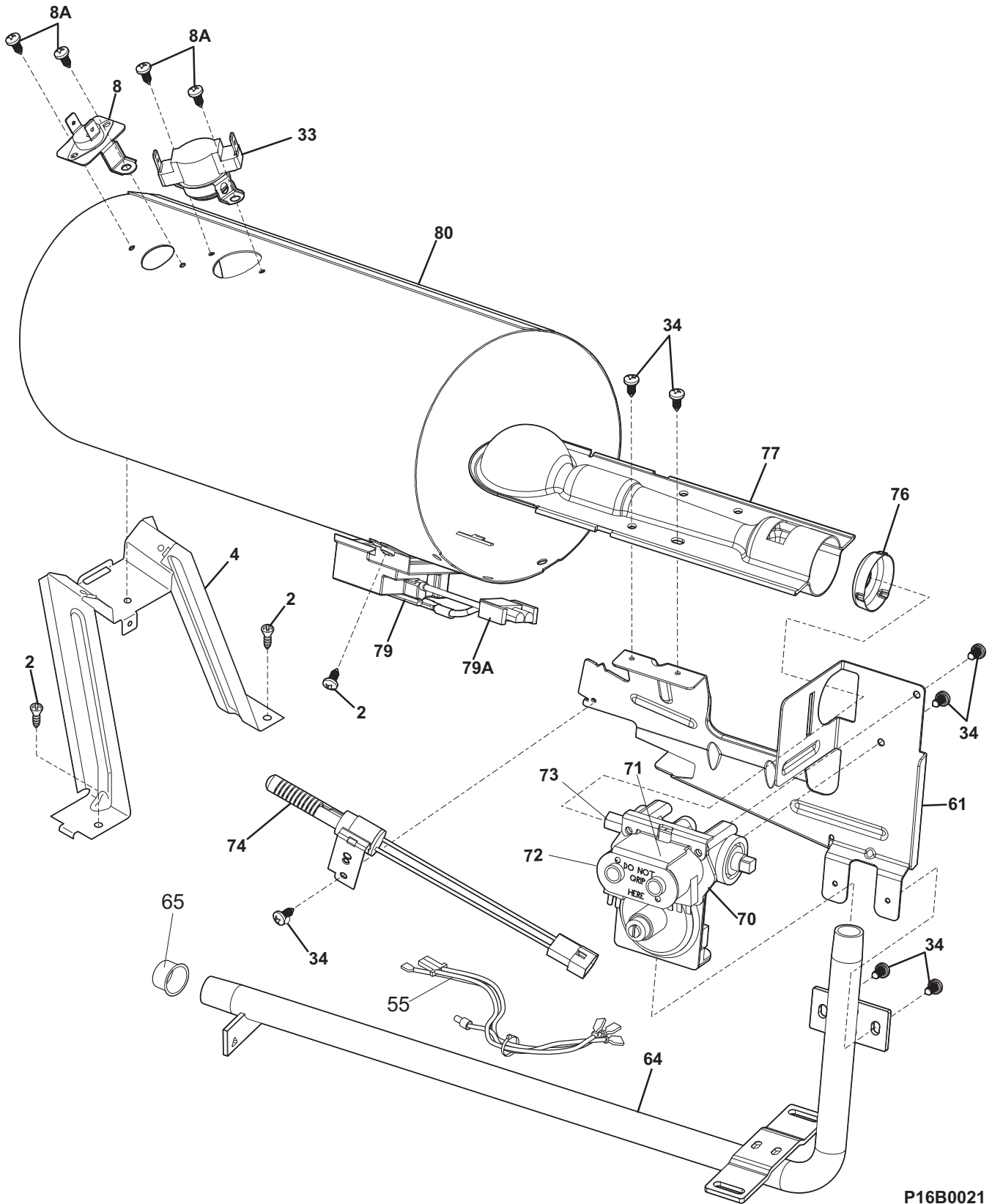


**MOTOR**

*Model Index:* A EIGD55I (EIGD55IKG2)  
B EIGD55I (EIGD55IRR2)

POS. NO	PART NO.		DESCRIPTION
2	7131168200	A B	Screw, pan head, 8-18B x 0.31
4	7134707900	A B	Lock, blower housing
7	7134693900	A B	Tube, exhaust, rear
8 #	7134711400	A B	LIMITER, thermal, exhaust, flush mount
8A	7134935200	A B	Screw, #8-32 X .25, W/#6 QUADREXPAN
10	7134690800	A B	Blower, housing, complete
11	7131749800	A B	Spacer, idler
15	7134711300	A B	Thermister, exhaust
20	7131017900	A B	Screw, hex head, 1/4-20T x 1.25, spacer mtg., thread cutting
22	7131601000	A B	Spring, idler arm
23	7134793500	A B	Idler Arm Assy, w/pulley
25 #	7134719300	A B	Belt, "H", poly V, 5 rib
27	7134242400	A B	Clamp, motor mtg.
28 #	7137115900	A B	Motor, dryer drive, with pulley
34	7131243700	A B	Screw, pan head, 8-18AB x 0.375
46	7134707400	A B	Bracket, motor cradle
47	7131633300	A B	Seal, exhaust tube
52	7137034600	A B	Screw, #10-16X0.375

**BURNER**



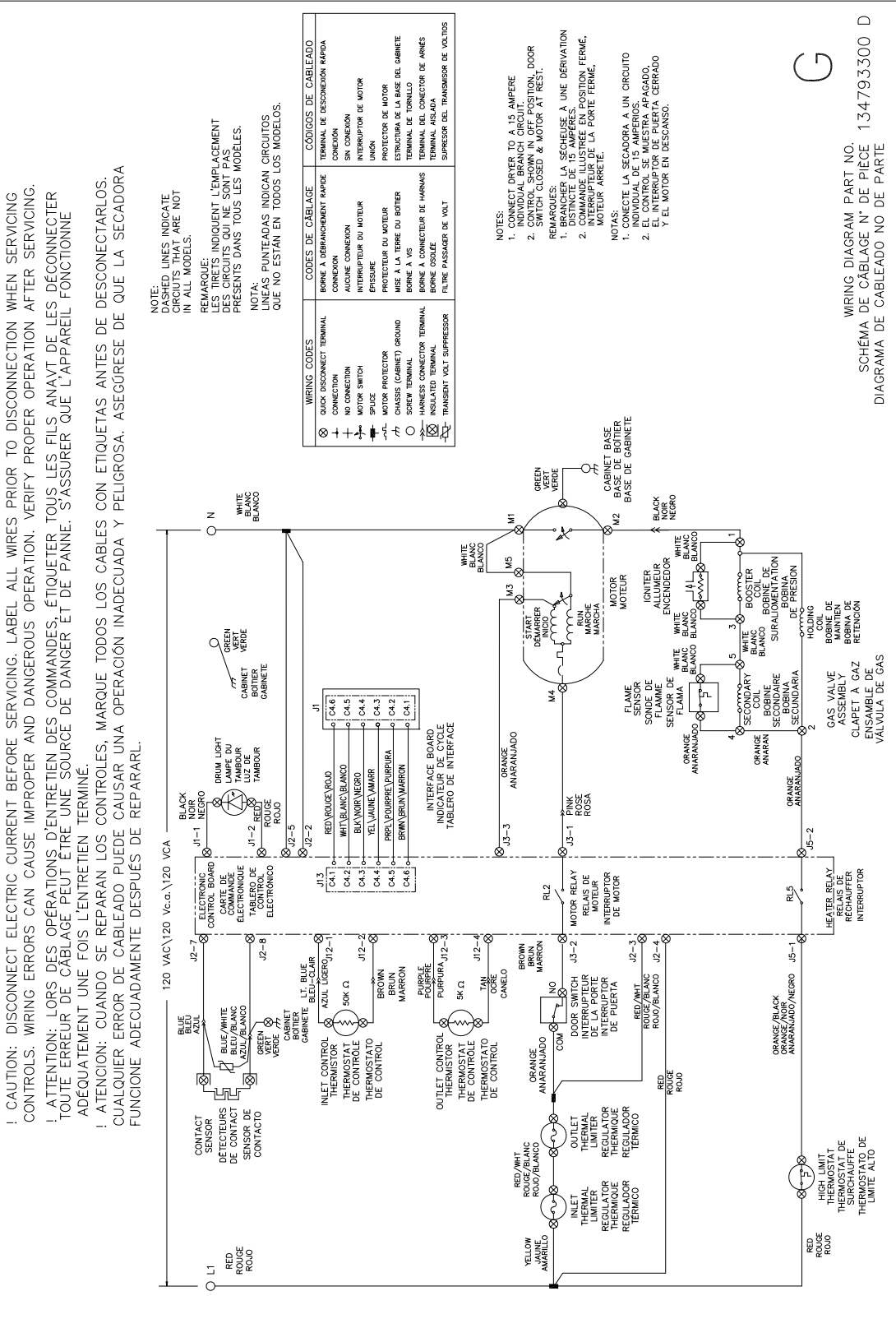
P16B0021

**BURNER**

*Model Index:* A EIGD55I (EIGD55IKG2)  
B EIGD55I (EIGD55IRR2)

POS. NO	PART NO.		DESCRIPTION
2	7131168200	A B	Screw, pan head, 8-18B x 0.31
4	7134713900	A B	Bracket, heater/burner, mounting
8 #	7134711500	A B	LIMITER, thermal
8A	7134935200	A B	Screw, #8-32 X .25, W/#6 QUADREXPAN
33 #	7137116700	A B	Thermostat, high limit
34	7131243700	A B	Screw, pan head, 8-18AB x 0.375
55	7137029500	A B	Harness, burner
61	7134715800	A B	Bracket, gas valve
64	7137019000	A B	Pipe, gas
65	708015112	A B	Cap, pipe
70 #	75303207409	A B	Valve, gas
71 #	75303307291	A B	Coil, secondary
72 #	75303307292	A B	Coil, booster
73 #	75303207410	A B	Orifice, natural gas, size 44
74 #	7134192000	A B	Igniter Assy
76	7134714400	A B	Collar, alignment, gas valve
77 #	7134197700	A B	Burner, gas
79 #	75303281135	A B	Sensor, radiant
79A	7134259100	A B	Harness, flame sensor
80 #	7134692500	A B	Tube, burner

WIRING DIAGRAM



G

WIRING DIAGRAM PART NO. 134793300 D  
 SCHEMA DE CÂBLAGE N° DE PIÈCE 134793300 D  
 DIAGRAMA DE CABLEADO NO DE PARTE