

Factory Parts Catalog

Product No.	EIMED60JIW0	EIMED60JMB0	EIMED60JRR0
Market	North America	North America	North America
Color	white	blue	red
Volts	220	220	220
Wiring Diagram	137245200	137245200	137245200
Owner's Guide	137379000	137379000	137379000
Installation Instructions	137396000	137396000	137396000



Electrolux Major Appliances

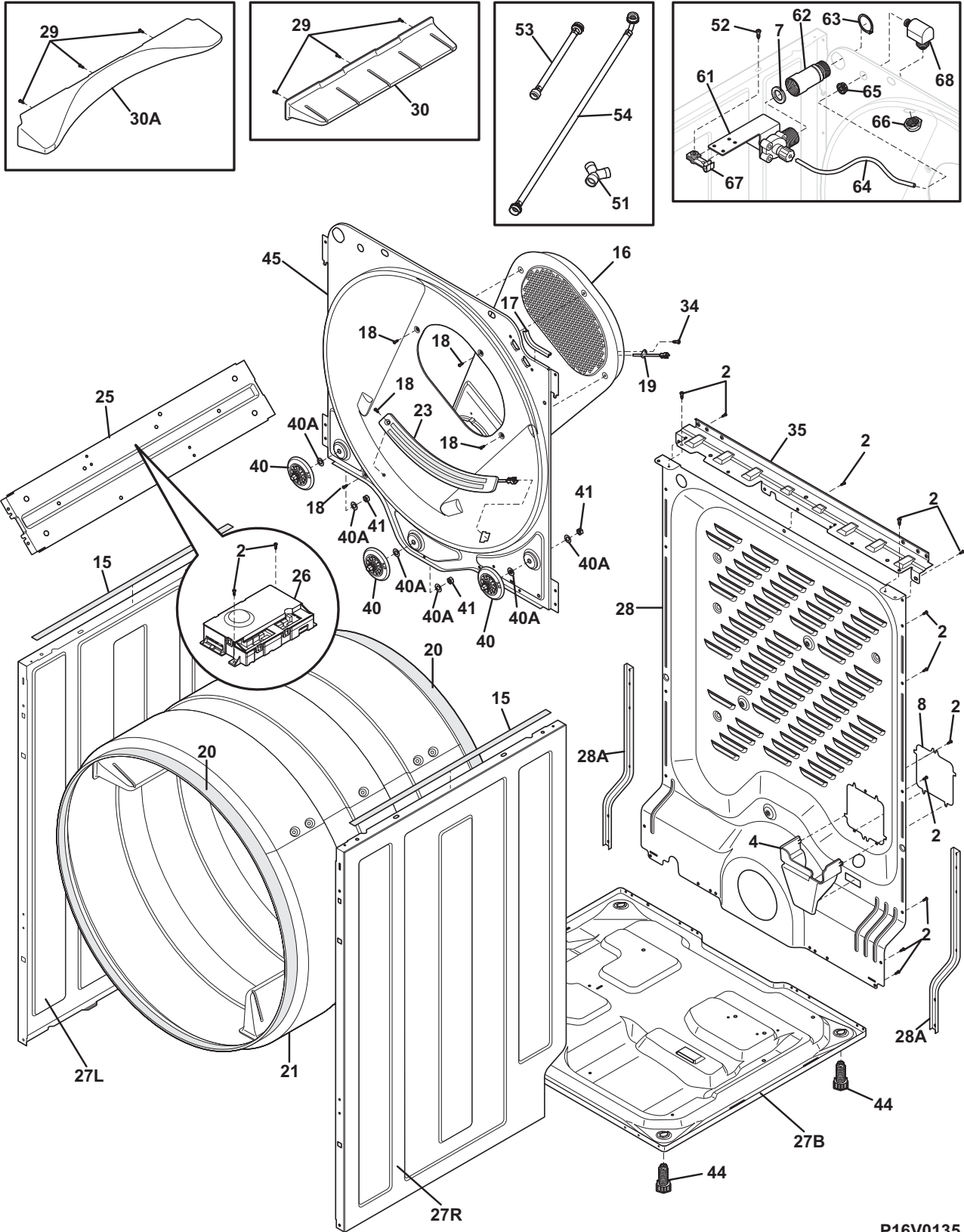
P.O. BOX 8020
CHARLOTTE, NC 28262

Publication No.
5995585584
11/02/01
(EN/SERVICE/WTC)
154

ELECTRIC DRYER

Model No.
EIMED60J

CABINET/DRUM



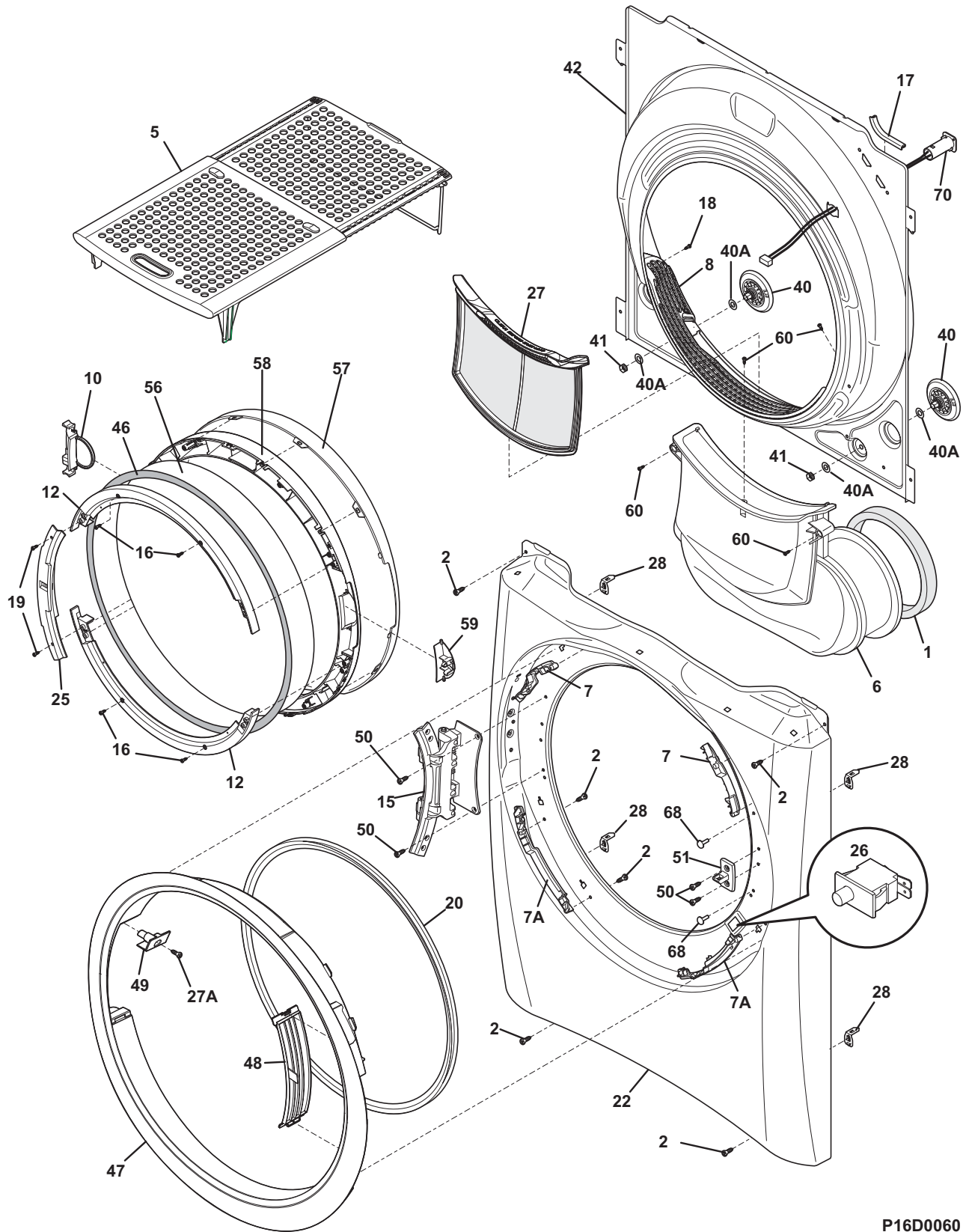
P16V0135

CABINET/DRUM

Model Index: A EIMED60J (EIMED60JIW0)
 B EIMED60J (EIMED60JMB0)
 C EIMED60J (EIMED60JRR0)

POS. NO	PART NO.		DESCRIPTION
2	131168200	A B C	Screw, pan head, 8-18B x 0.31
4	134792100	A B C	Bracket, main, terminal
7	5303161296	A B C	Washer, inlet hose
8	134694400	A B C	Cover, terminal block
15	137031800	A B C	Cushion, vibration, top panel
16	134694020	A B C	Duct, heat, rear
17	134792900	A B C	Protector, edge, right top front, 85.0+/-1.5
18	131477000	A B C	Screw, 10-16AB x 0.375
19	134711200	A B C	Thermistor, inlet
20	134705900	A B C	Seal, felt, drum
20*	5308027429	A B C	Adhesive, high temp
21	134708210	A B C	Drum, dryer, assembly 38"
23 #	134786100	A B C	Sensor-moisture, assembly
23*	134930800	A B C	Harness, moisture sensor
25	137297500	A B C	Bracket, mounting, main control bx
26 #	137249930	A B C	Control Board, printed circuit, with housing
27B	134690200	A B C	Base, dryer
27L	134712610	A - -	Panel, left side, white
27L	134712615	- B -	Panel, left side, blue
27L	134712630	- - C	Panel, left side, red
27R	134712710	A - -	Panel, right side, white
27R	134712715	- B -	Panel, right side, blue
27R	134712730	- - C	Panel, right side, red
28	134713013	A B C	Panel, backsheet
28A	137029800	A B C	Bracket, reinforcement, backsheet
29	131205100	A B C	Screw, #8 pan head, 10-10B x 0.500, cr/sq drive
30	137033700	A B C	Vane, drum
30A	137028500	A B C	Vane, mixing, smooth
34	131243700	A B C	Screw, pan head, 8-18AB x 0.375
35	134713100	A B C	Bracket, top panel mtg., rear
40	134715900	A B C	Roller, wheel, complete asmy
40*	134716200	A B C	Retainer, roller wheel, assembly
40A	134716700	A B C	Washer, flat
41	134716800	A B C	Nut, 3/8-16
44	134158000	A B C	Leveling Leg, screw
45	134712813	A B C	Bulkhead, panel, rear
51	137016700	A B C	Fitting, "Y" hose, adapter
52	131202300	A B C	Screw, 10-16AB x 0.625
53	137016800	A B C	Hose, water inlet, 12"
54	137016900	A B C	Hose, water inlet, 48"
61 #	137016600	A B C	Valve, water, mister
62	134935400	A B C	Adapter, mist hose
63	137016500	A B C	Ring, retaining, hose adapter
64	137016300	A B C	Tube, water valve to, valve to IM, misting nozzle
65	137017200	A B C	Grommet, misting tube
66	137017300	A B C	Nut, nozzle
67	137017400	A B C	Clip, mounting, water valve
68	137030100	A B C	Adapter, water nozzle, complete

FRONT PANEL/LINT FILTER



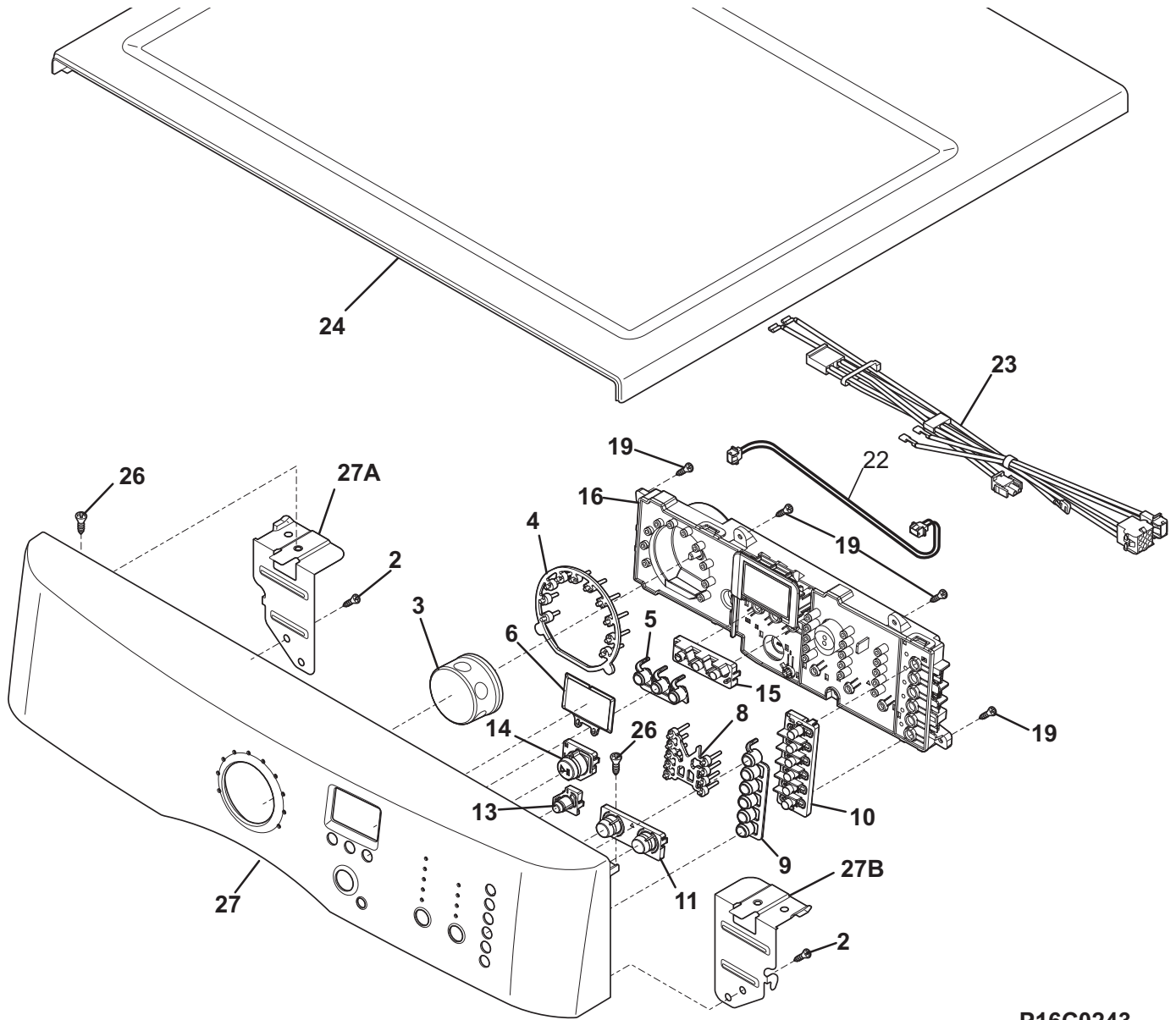
P16D0060

FRONT PANEL/LINT FILTER

Model Index: A EIMED60J (EIMED60JIW0)
 B EIMED60J (EIMED60JMB0)
 C EIMED60J (EIMED60JRR0)

POS. NO	PART NO.		DESCRIPTION
1	134784700	A B C	Seal, air duct
2	131168200	A B C	Screw, pan head, 8-18B x 0.31
5	134912700	A B C	Rack, drying
6	134708300	A B C	Duct, air
7	137046800	A B C	Bracket, trim ring mtg, upper
7A	137046700	A B C	Bracket, trim ring, mounting
8	134700900	A B C	Cover, lint housing
10	134933900	A B C	Assembly, indicator, complete
12	134696901	A B C	Frame, inner door
15	134704600	A B C	Hinge, dryer door
15*	137380600	A B C	SCREW - M5 x 0.8 x 17.50
16	134788000	A B C	Screw, #8 X1.18, pan hd
17	134792900	A B C	Protector, edge, right top front, 85.0+/-1.5
18	131477000	A B C	Screw, 10-16AB x 0.375
19	134790400	A B C	Screw, #10X1.25, oval head
20	137066300	A B C	Gasket, front panel
20*	5308027429	A B C	• Adhesive, high temp
22	134696310	A - -	Panel, front, white
22	134696315	- B -	Panel, front, blue
22	134696330	- - C	Panel, front, red
25	134703700	A B C	Latch, push-push, door
26 #	134813600	A - -	Switch, door
26 #	134813660	- B C	Switch, door, rectangle, gray
26*	134793200	A B C	Harness, door switch
27	134793600	A B C	Filter, lint, complete
27A	134790600	A B C	Screw, #10-24 X 1.0", pan hd
28	137034500	A B C	Clip, mounting, cabinet front
40	134715900	A B C	Roller, wheel, complete asmy
40*	134716200	A B C	Retainer, roller wheel, assembly
40A	134716700	A B C	Washer, flat
41	134716800	A B C	Nut, 3/8-16
42	134695905	A B C	Bulkhead, panel, front
46	134934900	A B C	Gasket, door glass
47	134618800	A B C	Trim, front panel
48	134618900	A B C	Cover, trim ring
49	134651200	A B C	Retainer, trim ring
50	131303300	A B C	Screw, pan head, 10-16AB x 0.500, locking
51	134704300	A B C	Striker, front panel
56	134701900	A B C	Glass, door
57	134932900	A B C	Lens, decorated door
58	134697200	A B C	Panel, outer door
59	134931500	A B C	Cover, indicator hole
60	134430300	A B C	Screw, indt pan head, 10-14 x 0.625, quadrex
68	134742000	A - -	Plug, hinge hole, grey
68	134742002	- B C	Plug, hinge hole
70	134695000	A B C	Lamp-LED, drum, complete

CONTROLS/TOP PANEL



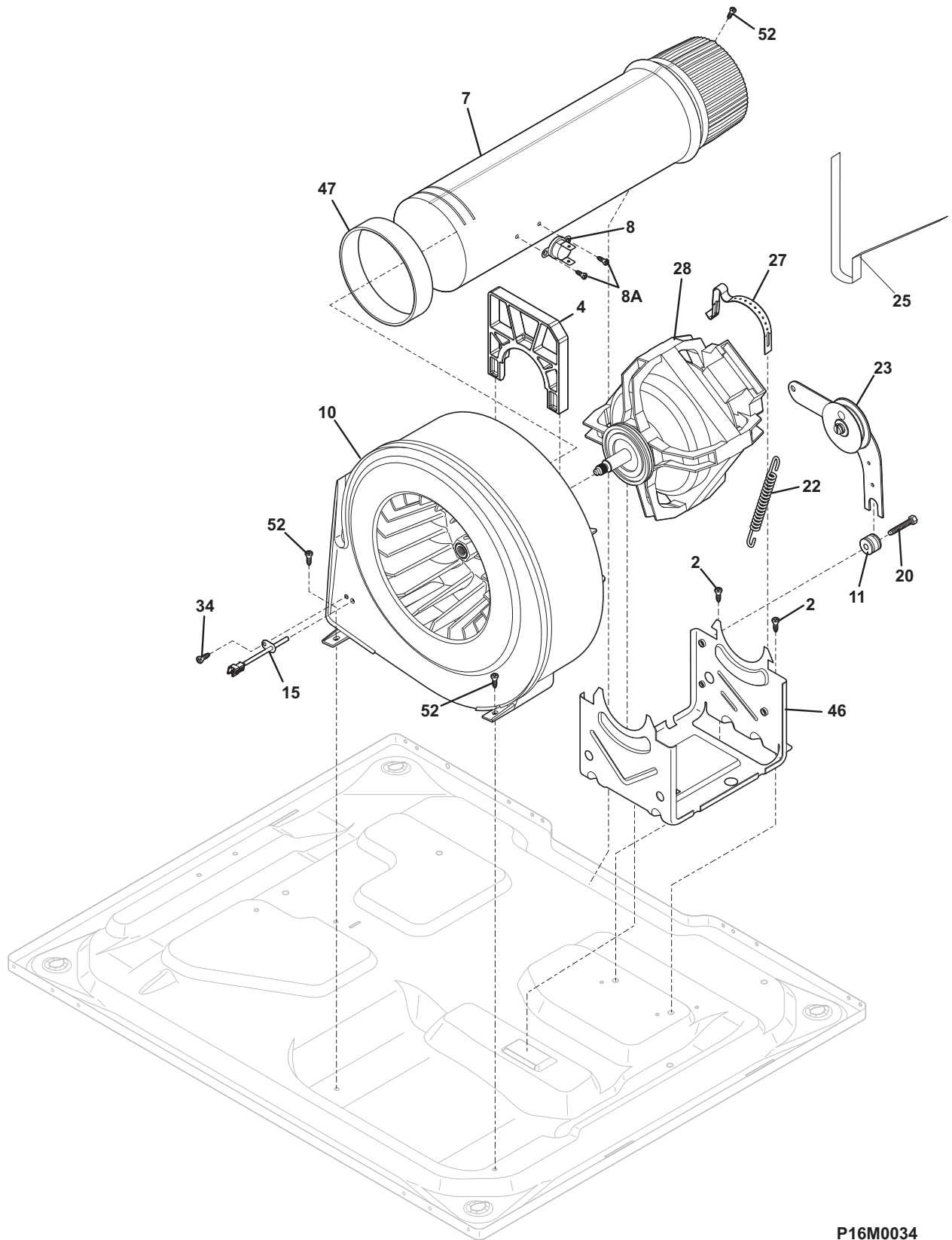
P16C0243

CONTROLS/TOP PANEL

Model Index: A EIMED60J (EIMED60JIW0)
 B EIMED60J (EIMED60JMB0)
 C EIMED60J (EIMED60JRR0)

POS. NO	PART NO.		DESCRIPTION
2	131168200	A B C	Screw, pan head, 8-18B x 0.31
3	134766500	A B C	Knob, retracting, complete asmy
4	134907400	A B C	Pipe, knob light
5	134872100	A B C	Ring, display button, light
6	134767700	A B C	Lens, LCD
8	134902210	A B C	Pipe, modifier light, group 2&3
9	134894200	A B C	Ring, option button, light
10	137032300	A B C	Button, option
11	137032200	A B C	Button, modifier, button 2 & 3
13	137032000	A B C	Button, off
14	137015900	A B C	Button, start/pause
15	137031900	A B C	Button, display
16 #	134994720	A B C	Control Board, printed circuit, with housing
19	134402900	A B C	Screw, Phillips, 6-19 x 0.650
22 #	134790700	A B C	Harness, user interface
23 #	137242300	A B C	Harness, main, mist
23*#	137150200	A B C	Terminal, block kit, main
24	134638510	A - -	Panel, work top, white
24	134638515	- B -	Panel, work top, blue
24	134638530	- - C	Panel, work top, red
26	131205100	A B C	Screw, #8 pan head, 10-10B x 0.500, cr/sq drive
27	137378210	A - -	Panel, control console
27	137378215	- B -	Panel, control console, blue, decorated
27	137378230	- - C	Panel, control console
27A	134710900	A B C	Bracket, control panel, left hand, mounting
27B	134711000	A B C	Bracket, control panel, right hand, mounting

MOTOR



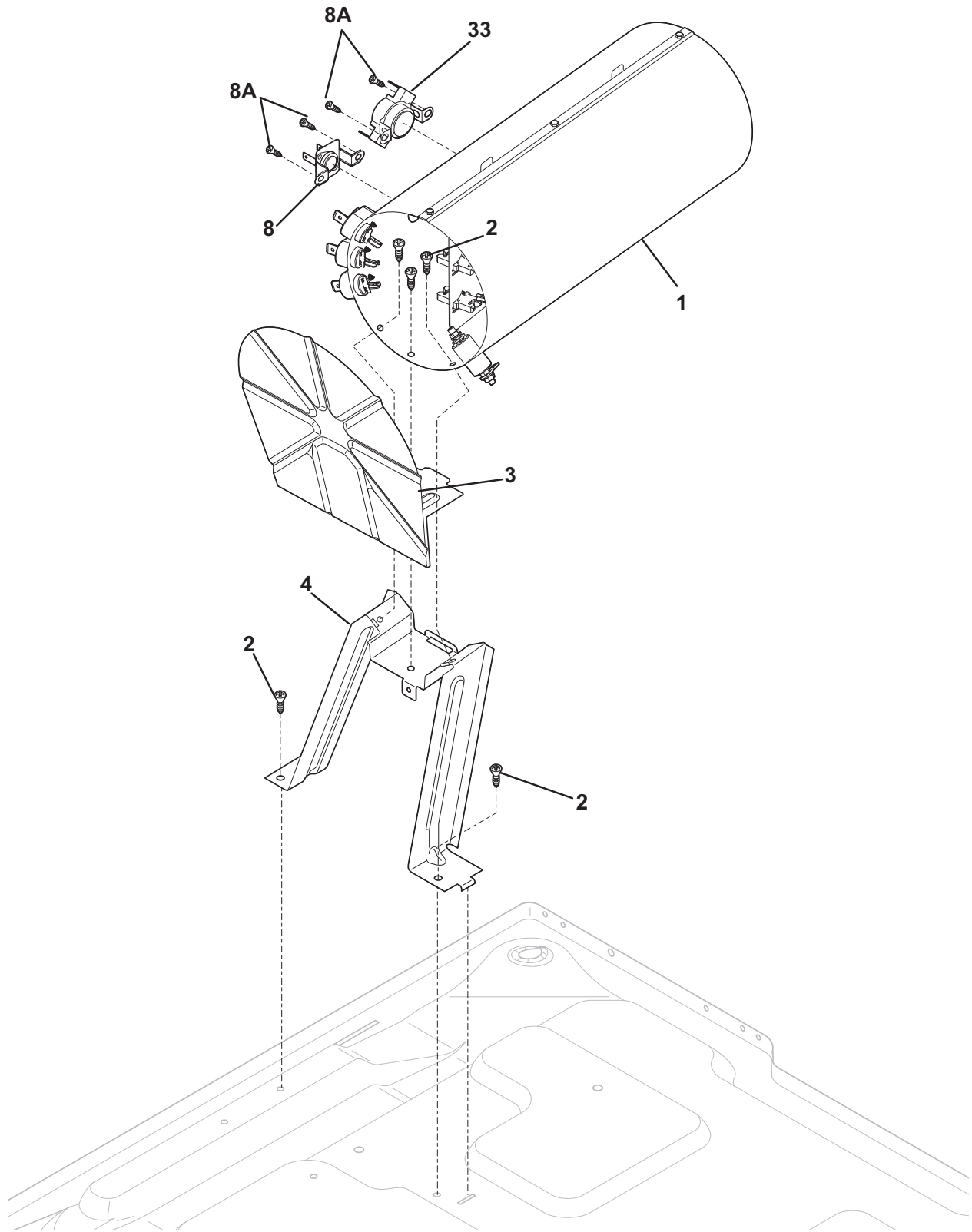
P16M0034

MOTOR

Model Index: A EIMED60J (EIMED60JIW0)
 B EIMED60J (EIMED60JMB0)
 C EIMED60J (EIMED60JRR0)

POS. NO	PART NO.		DESCRIPTION
2	131168200	A B C	Screw, pan head, 8-18B x 0.31
4	134707900	A B C	Lock, blower housing
7	134693900	A B C	Tube, exhaust, rear
8 #	134711400	A B C	Limiter, thermal exhaust, flush mount
8A	134935200	A B C	Screw, #6 pan head, #8-32 X .25, quadrex
10	134690800	A B C	Blower, housing, complete
11	131749800	A B C	Spacer, idler
15	134711300	A B C	Thermister, exhaust
20	131017900	A B C	Bolt, hex head, 1/4-20T x 1.25, thread cutting
22	131601000	A B C	Spring, idler arm
23	134793500	A B C	Idler Arm Assy, w/pulley
25 #	137315300	A B C	Belt
27	134242400	A B C	Clamp, motor mtg.
28 #	134693300	A B C	Motor, main drive, 115v 60hz
34	131243700	A B C	Screw, pan head, 8-18AB x 0.375
46	134707400	A B C	Bracket, motor cradle
47	131633300	A B C	Seal, exhaust tube
52	137034600	A B C	Screw, #10-16X0.375

BURNER



P16B0019

BURNER

Model Index: A EIMED60J (EIMED60JIW0)
 B EIMED60J (EIMED60JMB0)
 C EIMED60J (EIMED60JRR0)

POS. NO	PART NO.		DESCRIPTION
1 #	134792700	A B C	Heater, 3 element, 5500w
2	131168200	A B C	Screw, pan head, 8-18B x 0.31
3	134692700	A B C	Shield, radiant, electric
4	134713900	A B C	Bracket, heater/burner, mounting
8	137032600	A B C	Limiter, thermal, heater
8A	134935200	A B C	Screw, #6 pan head, #8-32 X .25, quadrex
33 #	3204267	A B C	Thermostat, safety

WIRING DIAGRAM

