



Electrolux

Factory Parts Catalog

Product No.	EW30GS65GB8	EW30GS65GW8
	39364391K7368	39364391K7318
Series	30 gas slide-in	30 gas slide-in
Color	black	white
Market	North America	North America
Wiring Diagram	318550108	318550108
Owner's Guide	318205860	318205860
Installation Instructions	318201675	318201675
Service Data Sheet	318127053	318127053
Quick Start Guide	318203458	318203458

Electrolux

Electrolux Major Appliances

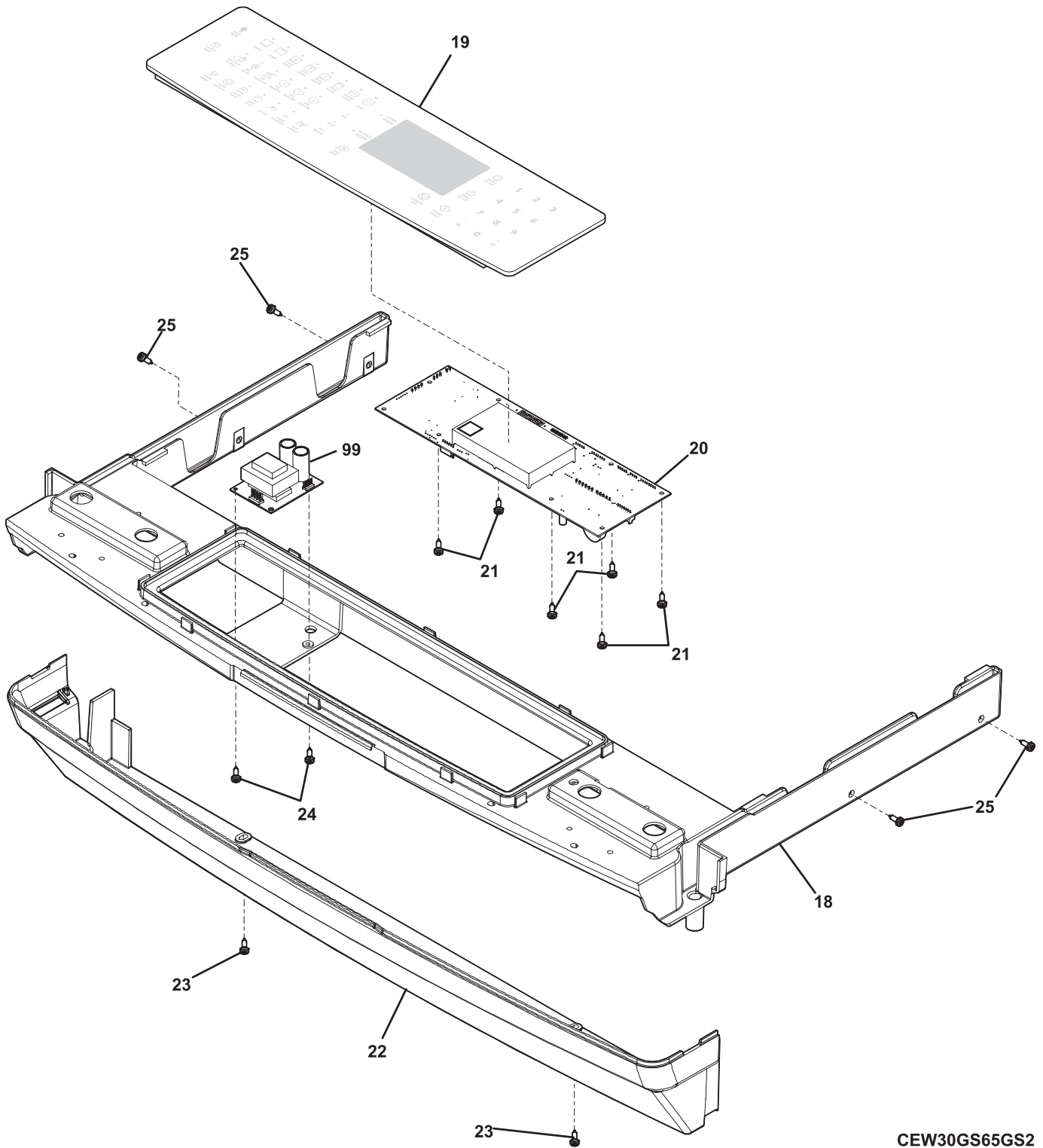
P.O. BOX 8020
CHARLOTTE, NC 28262

Publication No.
5995581260
10/11/22
(EN/SERVICE/ECL)
377

30-INCH SLIDE-IN GAS RANGE

Model No.
EW30GS65G

BACKGUARD



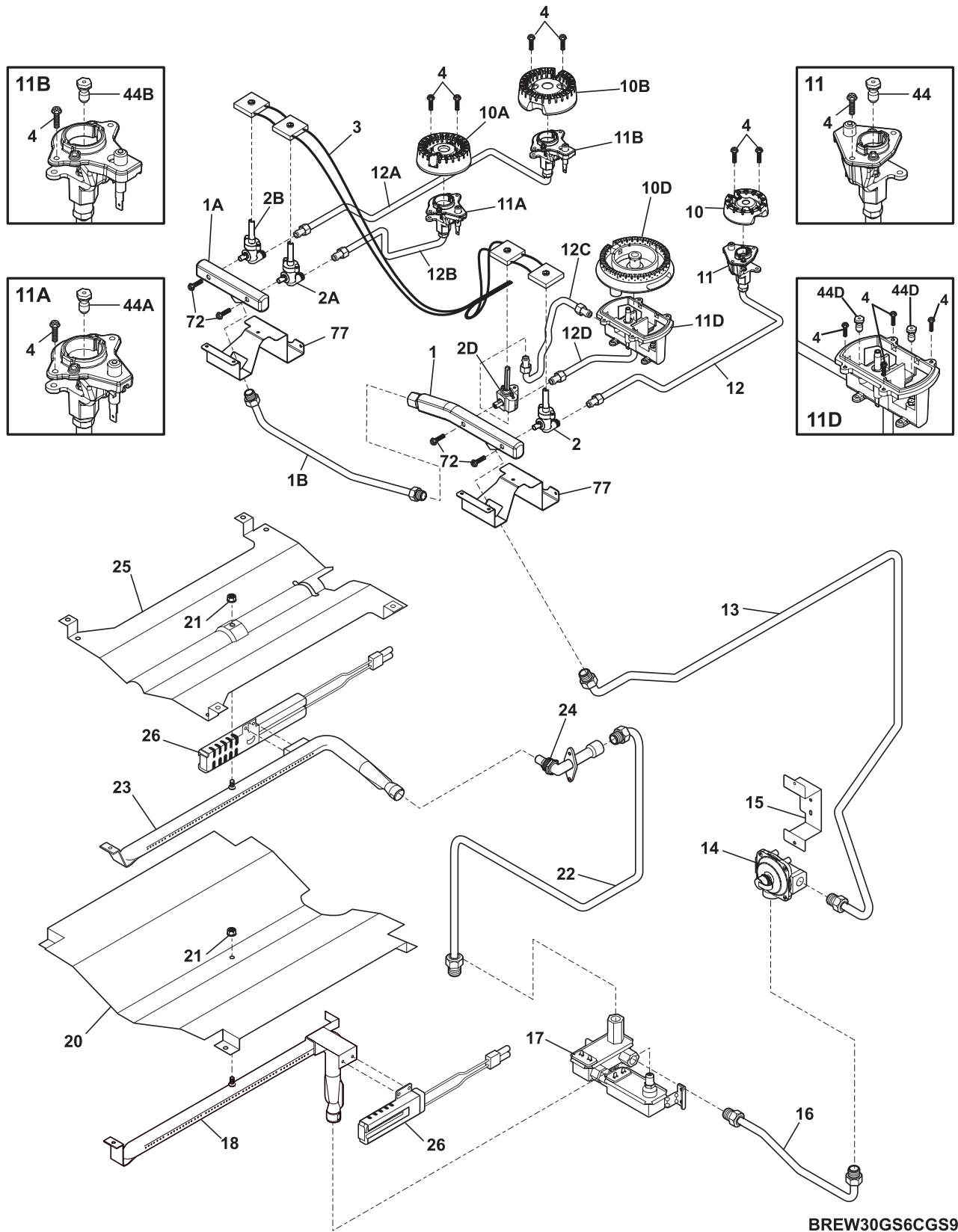
CEW30GS65GS2

BACKGUARD

Model Index: A EW30GS65G (EW30GS65GB8)
B EW30GS65G (EW30GS65GW8)

POS. NO	PART NO.		DESCRIPTION
18	318900300	A B	Subframe, control
19 #	318387131	A B	Control Assembly, glass, black, w/interface
20 #	316576701	A B	Controller, electronic, ES630
21	316524400	A B	Screw, control mtg, 6-32 x .25, (5)
22	318905004	A -	Panel, service, black
22	318905003	- B	Panel, service, white
23	5304417153	A B	Screw, shoulder, 8-18 X 1/2, (4)
24	5303307980	A B	Screw, 8-32 x 0.437, (8)
25	5303131801	A B	Screw, 10 x 3/8
99 #	316535200	A B	Board, power supply, 8V, (2)
* #	318402345	A B	Harness, wiring, control panel
* #	318384451	A B	Harness, wiring, power to timer

BURNER



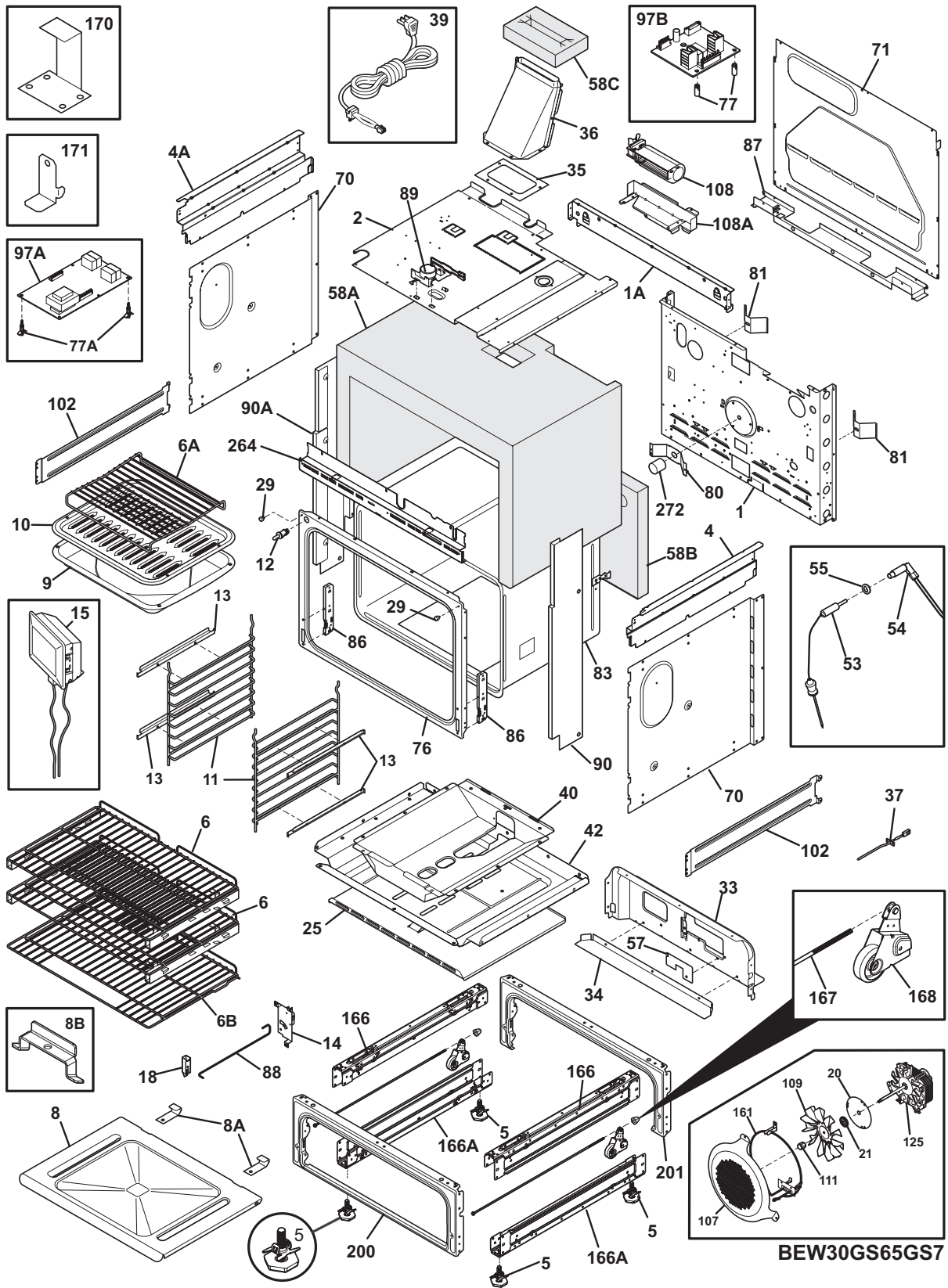
BREW30GS6CGS9

BURNER

Model Index: A EW30GS65G (EW30GS65GB8)
B EW30GS65G (EW30GS65GW8)

POS. NO	PART NO.		DESCRIPTION
1	318907000	A B	Manifold, pipe, RH
1A	318907200	A B	Manifold, pipe, LH
1B	318902100	A B	Tubing, interconnect
2 #	318387400	A B	Valve, top burner, 5K
2A #	318387401	A B	Valve, top burner, 9.5K
2B #	318387402	A B	Valve, top burner, 14K
2D #	316574901	A B	Valve, top burner, 18K
3 #	318232649	A B	Wiring Harness, w/igntr switch
4	5304472956	A B	Screw, hex wash, 6-32 x .485
10 #	316438200	A B	Burner, sealed, 5K
10A#	316558300	A B	Burner, sealed, 9.5K
10B#	316438600	A B	Burner, sealed, 14K
10D#	316525401	A B	Burner, sealed, dual, 18K
11 #	316540800	A B	Ignitor/orifice assy., top burner, 5K, w/holder
11A#	316540700	A B	Ignitor/orifice assy., top burner, 9.5K, w/holder
11B#	316543204	A B	Ignitor/orifice assy., top burner, 14K
11D#	316525103	A B	Ignitor/orifice assy., top burner, 18K, w/holder
12	318901100	A B	Tubing, 5K burner, RH rear
12A	318901300	A B	Tubing, 14K burner, LH rear
12B	318901500	A B	Tubing, 9.5K burner, LH front
12C	318901700	A B	Tubing, 18K burner, RH front
12D	318901900	A B	Tubing, 18K burner, RH front
13	318902300	A B	Tubing, manifold supply
14 #	316416705	A B	Regulator, pressure
*	5303305528	A B	Screw, 8-32 x 1/4
15	318262810	A B	Bracket, regulator
16	318289500	A B	Tube, regulator valve
17 #	316404901	A B	Valve, safety
17*#	318268600	A B	Harness, wiring, valve
18 #	318292200	A B	Burner, oven, 18000
20	318290400	A B	Baffle, bake burner
21	3201885	A B	Nut, Keps, 10-24
22	318305203	A B	Tube, broil supply
23	318292300	A B	Burner, broil, 14000
24 #	316409703	A B	Elbow, mixer
*	5304463705	A B	Screw, 8-18 X 1/2, (4)
25	316401301	A B	Baffle, broil burner
26 #	318177710	A B	Ignitor, oven burner
44 #	316527504	A B	Orifice, top burner, 5K
44A#	316527500	A B	Orifice, top burner, 9.5K
44B#	316527511	A B	Orifice, top burner, 14K
44D*	316523509	A B	Orifice, top burner, center, 18K
44D#	316523512	A B	Orifice, top burner, 18K
72	316215600	A B	Screw, valve mtg., 1/4 - 20
77	318906711	A B	Bracket, manifold, (2)
*	318186924	A B	LP Conversion Kit
*	318064856	A B	Instruction sheet, LP conversion
* #	318199781	A B	Wiring Harness, ignitor
*	08016432	A B	Screw, truss head, 8-18 x 0.375
*	5303131801	A B	Screw, 10 x 3/8
*	5303211311	A B	Screw, 8-18 x 0.500
*	5303300195	A B	Screw, 10-32 x 0.375, (2)
*	5303311306	A B	Screw, 8-18 x 0.375, (4)

BODY



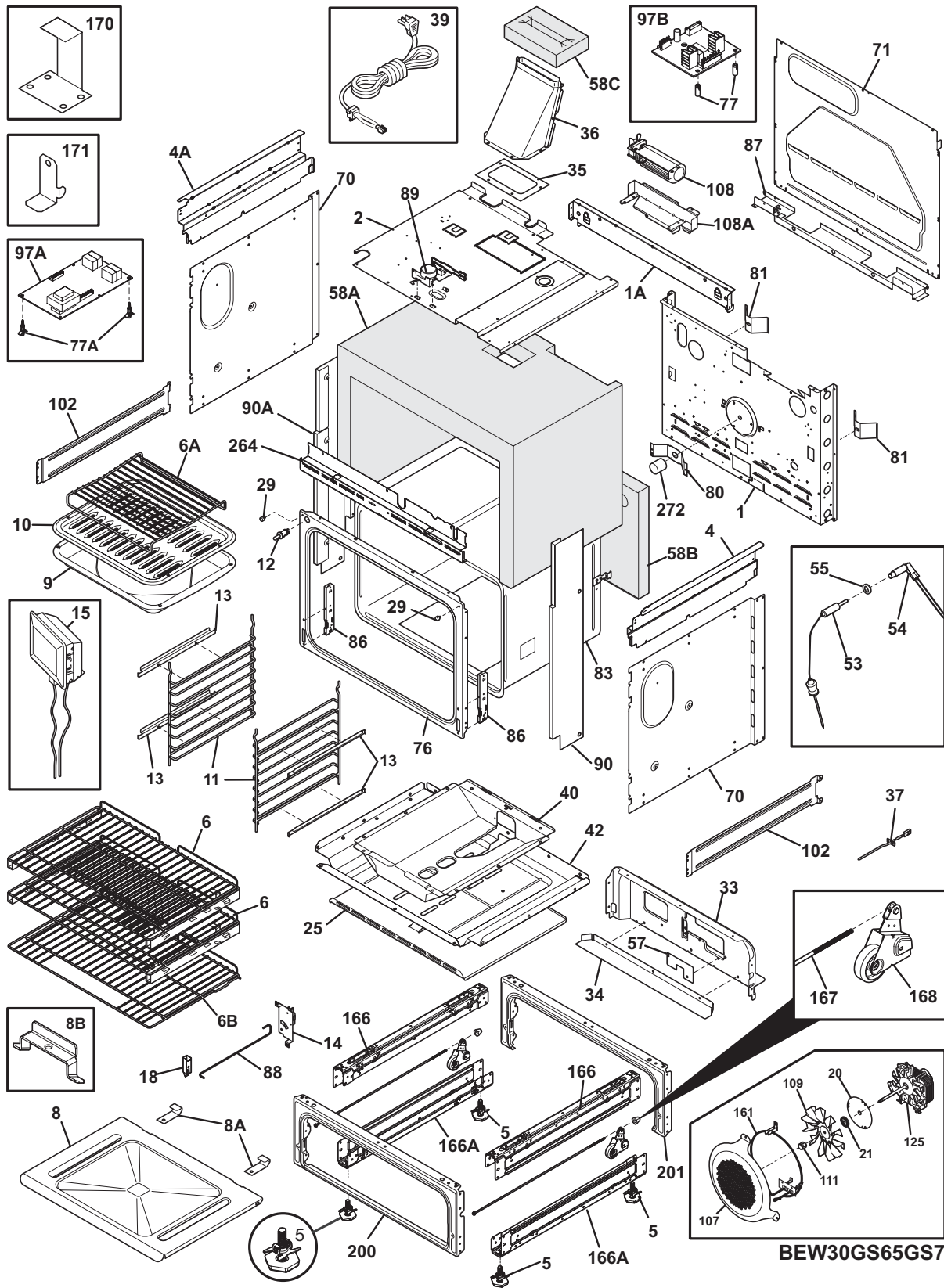
BEW30GS65GS7

BODY

Model Index: A EW30GS65G (EW30GS65GB8)
B EW30GS65G (EW30GS65GW8)

POS. NO	PART NO.		DESCRIPTION
1	318259220	A B	Back, main
1A	318905600	A B	Back, main, upper
2	318258922	A B	Shield, insulation, upper
4	318905700	A B	Panel, side, RH upper
4A	318905701	A B	Panel, side, LH upper
5	318175508	A B	Screw, leveling, w/tee nut
6	318903105	A B	Shelf, oven, (2)
6A	318365800	A B	Rack, broiler pan
6B	318908003	A B	Shelf, oven
8	318290502	A B	Panel, oven, bottom
8A	318367401	A B	Bracket, retainer, (2)
*	5303325980	A B	Screw, 10-32 x 0.437
8B	318403200	A B	Bracket, service panel, (2)
8B*	318403100	A B	Bracket, bridge, (2)
8B*	5304471183	A B	Screw, 6-32 x 17/32
9	318138801	A B	Pan, broiler
10	318126401	A B	Insert, broiler pan
11	318903300	A B	Rack, oven shelf, (2)
12	316445501	A B	Switch, oven light, door frame
13	318603913	A B	Bracket, ladder mtg., (4)
13*	5304456367	A B	Rivet, ladder bracket, (8)
14 #	318562200	A B	Sensor Assy, w/switch, and bracket
15	318241006	A B	Lamp, oven, (2), halogen
18	318562300	A B	Bracket, rod
20	318389400	A B	Plate, retainer
21	318389000	A B	Seal, ring
25	318291900	A B	Bracket, shield, lower
29	316517600	A B	Spacer, oven door
33	318287800	A B	Panel, valve mtg.
34	318289401	A B	Panel, valve filler
35	318291300	A B	Seal, flue cavity
36	318288801	A B	Box, flue assy.
37 #	318562500	A B	Sensor, oven temp probe
37*	5303300265	A B	Screw, 8-18 X 1/2, (4)
37*	5304435874	A B	Plate, covering, probe
39	318144008	A B	Cord, service
*	5303323136	A B	Screw ground
40	318291800	A B	Box, oven burner
42	318288701	A B	Bracket, body, middle
53 #	318601302	A B	Probe, meat temp
54 #	318601206	A B	Receptacle, probe
55	316247700	A B	Nut, mounting
57	318268300	A B	Cover, burner opening
58A	318386101	A B	Insulation, oven wrapper
58B	318285085	A B	Insulation, oven back
58C	318285097	A B	Insulation, flue
70	318259114	A B	Shield, insulation, sides, (2)
71	318260007	A B	Panel, rear box
76	318056236	A B	Front, oven

BODY



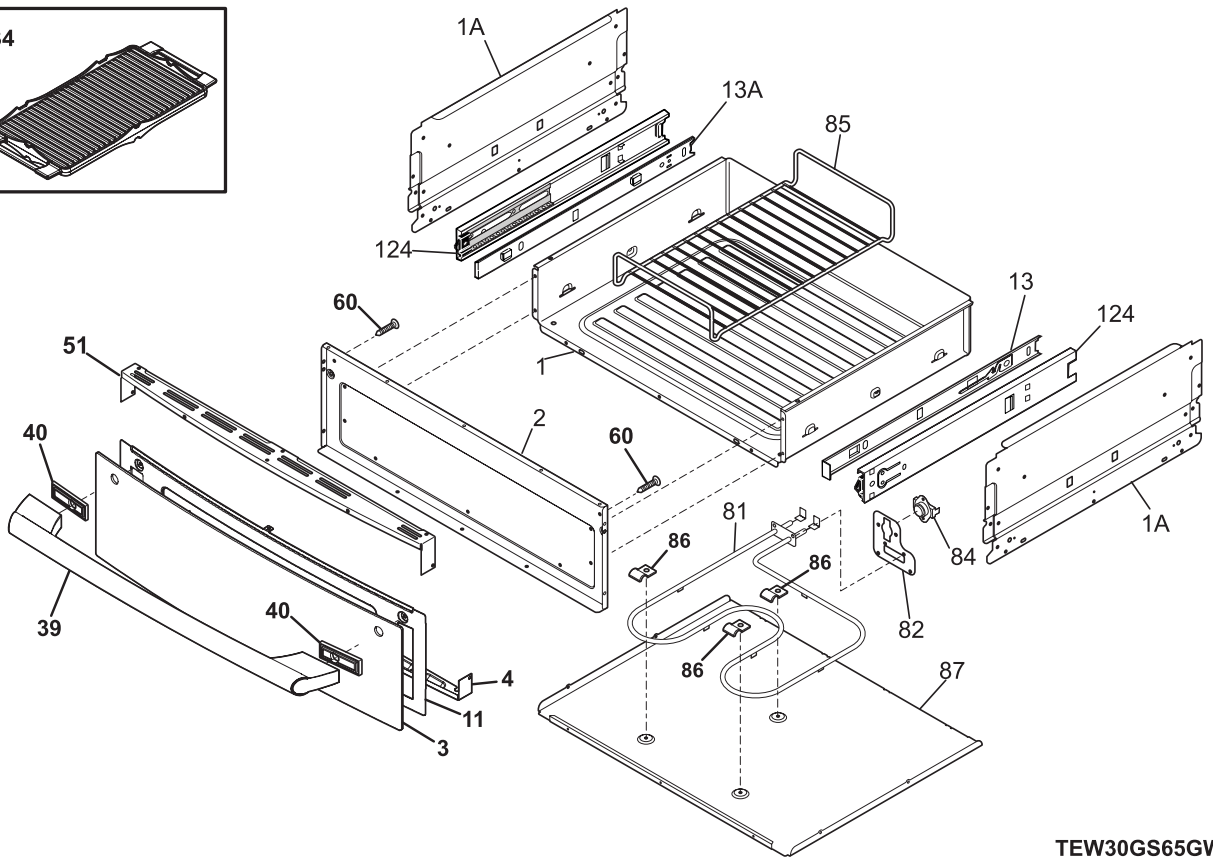
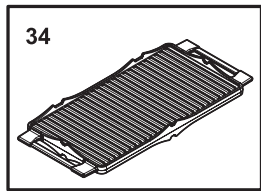
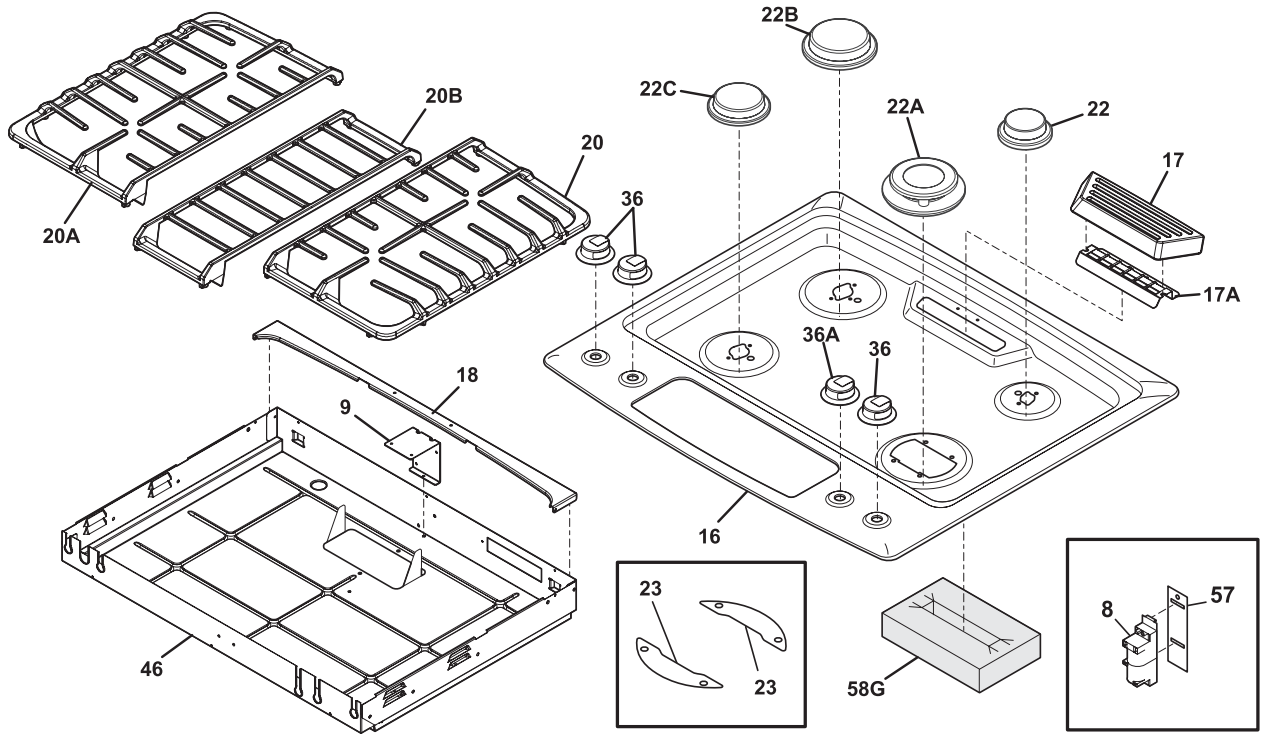
BEW30GS65GS7

BODY

Model Index: A EW30GS65G (EW30GS65GB8)
B EW30GS65G (EW30GS65GW8)

POS. NO	PART NO.		DESCRIPTION
77	318293702	A B	Spacer, control
77A	316114100	A B	Spacer
80	5303320846	A B	Plate, oven mtg
81	318192400	A B	Spring, oven
*	5303323129	A B	Screw, 8 X 0.750
83	318327011	A B	Liner, oven
86	316508600	A B	Receptacle, hinge, (2)
86*	5304461333	A B	Screw, 10-32 x 17/32
87	318260624	A B	Bracket, cable mtg.
88	318376505	A B	Rod, latch
89 #	318261211	A B	Motor, latch assy
*	318165800	A B	Spacer
*	5304417153	A B	Screw, shoulder, 8-18 X 1/2, (4)
90	318905804	A -	Panel, side, black, RH
90	318905802	- B	Panel, side, white, RH
90A	318905805	A -	Panel, side, black, LH
90A	318905803	- B	Panel, side, white, LH
97A#	316443917	A B	Board, relay
97B#	316519200	A B	Board, variable speed
102	318327500	A B	Panel, reinforcement
107	318906601	A B	Cover, fan
*	5304415832	A B	Screw, 8-18 x 0.406
108#	318073028	A B	Motor, blower
108A	318251300	A B	Bracket, fan support
109	318398300	A B	Fan Blade
111	316136600	A B	Nut, fan retainer
125#	5304463302	A B	Motor-convection
161#	318255504	A B	Element, convection, 350 W
166	318298400	A B	Bracket, base support, (2)
166A	318298403	A B	Bracket, base support, lower, (2)
167	318147811	A B	Screw, lock, adjusting
168	318302400	A B	Wheel & bracket assy, adjustable, (2)
*	5304416408	A B	Screw, 10-24 x 1.750
170	318335700	A B	Anti-tip & accessories
171	318335200	A B	Bracket, anti-tilt
200	318298226	A B	Frame, drawer, front
201	318298230	A B	Frame, drawer, black
264	318906301	A B	Trim, vent
272	318249409	A B	Tube, protector
* #	318306664	A B	Harness, wiring, main
* #	318402373	A B	Harness, wiring, relay board
*	5304400192	A B	Retainer, wiring
*	3051050	A B	Screw, shoulder
*	08016432	A B	Screw, truss head, 8-18 x 0.375
*	5303211311	A B	Screw, 8-18 x 0.500
*	5303307980	A B	Screw, 8-32 x 0.437, (8)
*	5303323277	A B	Screw, 8-18 X 13/32
*	5303324184	A B	Screw, 8-18 x 5/16, black

TOP/DRAWER



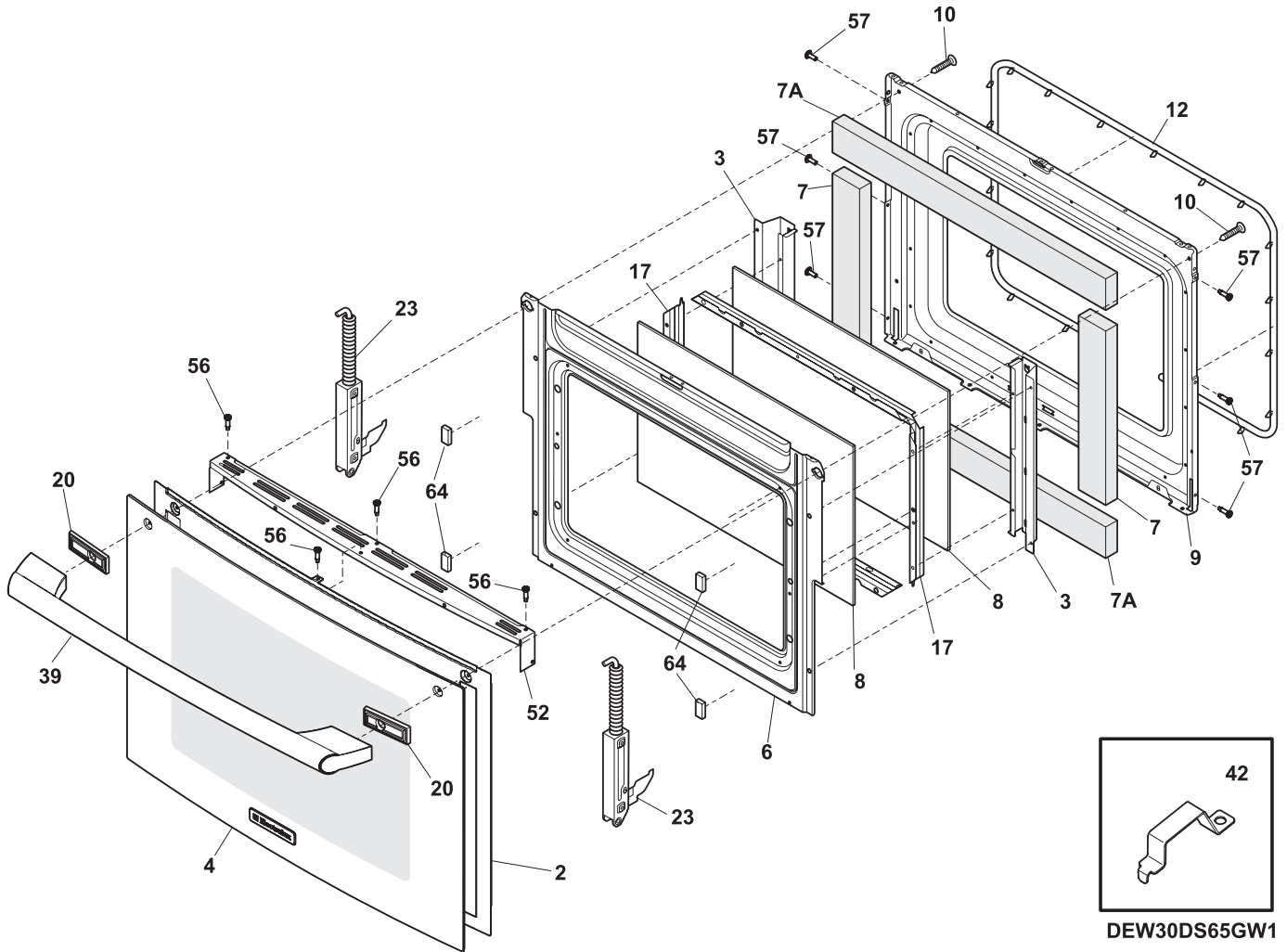
TEW30GS65GW8

TOP/DRAWER

Model Index: A EW30GS65G (EW30GS65GB8)
B EW30GS65G (EW30GS65GW8)

POS. NO	PART NO.		DESCRIPTION
1	318304405	A B	Drawer, body assembly
1A	318300003	A B	Panel, warmer drawer, side, (2)
2	318391205	A B	Panel, drawer, inner
3	318904405	A -	Glass, drawer, black, outer
3	318904404	- B	Glass, drawer, white, outer
4	318904903	A B	Trim, door, black, lower
8 #	316135702	A B	Module, spark
9	318905500	A B	Support, maintop
11	318385701	A B	Frame, drawer, outer
13	318259509	A B	Glide, warmer, inner RH
13A	318259508	A B	Glide, warmer, inner LH
*	5304416408	A B	Screw, 10-24 x 1.750
16	318536551	A -	Maintop Assembly, black, w/support, w/graphics
16	318536550	- B	Maintop Assembly, white, w/support, w/graphics
16*	318403100	A B	Bracket, bridge, (2)
16*	318534403	A B	Gasket, maintop
17	318905401	A -	Cover, flue, black
17	318905402	- B	Cover, flue, white
17A	318907401	A B	Cover, flue
18	318906900	A B	Support, deflector box
20	318909206	A B	Grate, burner, black, RH
20A	318909207	A B	Grate, burner, black, LH
20B	318909403	A B	Grate, burner, black, center
22	316548600	A B	Cap, burner, 5K, black
22A	316511502	A B	Cap, burner, 18K, black
22B	316548800	A B	Cap, burner, 14K, black
22C	316548700	A B	Cap, burner, 9.5K, black, (2)
23	318406901	A B	Plate, decorative, stainless, (2)
34	316534001	A B	Griddle OPTIONAL ACCESSORY
36	318905201	A -	Knob, burner, black, (3)
36	318905200	- B	Knob, burner, white, (3)
36A	318905204	A -	Knob, burner, black, dual
36A	318905203	- B	Knob, burner, white, dual
39	241881313	A -	Handle, door, black
39	241881314	- B	Handle, door, white
40	318902901	A -	Spacer, handle, black, (2)
40	318902900	- B	Spacer, handle, white, (2)
46	318900111	A B	Box, deflector
51	318904701	A B	Trim, door, black, upper
57	318295611	A B	Panel, service
58G	318285099	A B	Insulation, flue
60	5303323139	A B	Screw, 10-24 x 0.906
*	3201909	A B	Washer, flat, lower
81 #	318255301	A B	Element, warmer drawer
82	318304500	A B	Bracket, element, warmer drawer
84 #	318005108	A B	Thermostat
*	5304463974	A B	Screw, thermostat, 6-20 x 5/8, (2)
85	318345601	A B	Rack, warmer drawer
86	316095800	A B	Clip, hold down, warmer element
87	318300102	A B	Panel, warmer drawer, lower
124	316105501	A B	Glide, outer/RH & LH, (2)
*	318199748	A B	Wiring Harness, drawer
* #	318532147	A B	Ground wire, w/terminal
*	08008009	A B	Bushing, nylon, snap
*	5304463977	A B	Bumper, base, (2)
*	318531701	A B	Spacer, (2)
*	5303211311	A B	Screw, 8-18 x 0.500
*	5303300265	A B	Screw, 8-18 X 1/2, (4)
*	5303307980	A B	Screw, 8-32 x 0.437, (8)

DOOR

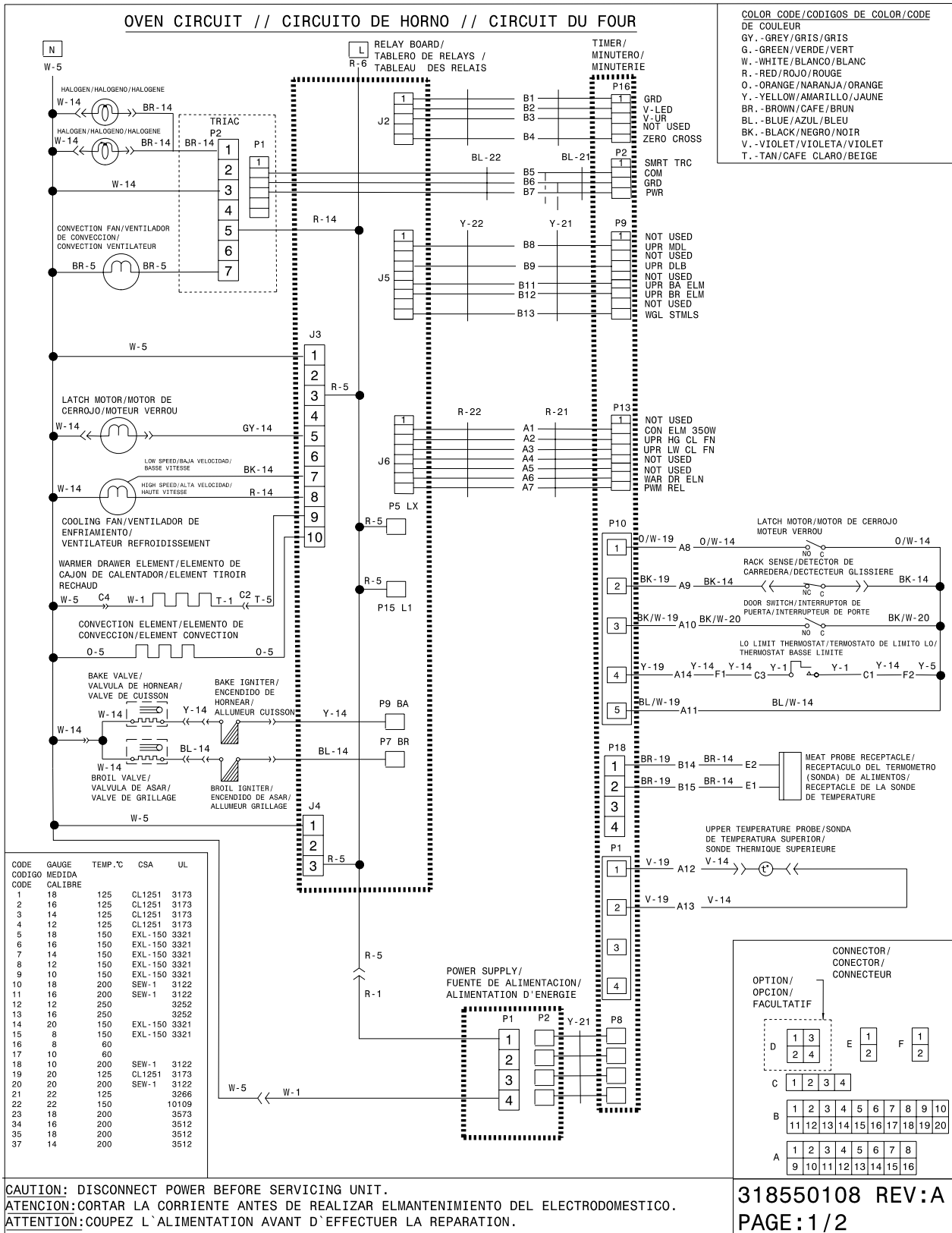


DOOR

Model Index: A EW30GS65G (EW30GS65GB8)
 B EW30GS65G (EW30GS65GW8)

POS. NO	PART NO.		DESCRIPTION
2	318904501	A B	Subframe, door
3	318902200	A B	Bracket, insulation, (2)
4	318261397	A -	Glass Assy., oven door, black, outer, w/trim & badge
4	318261398	- B	Glass Assy., oven door, black, outer, w/trim & badge
6	318904200	A B	Deflector, door
7	318372000	A B	Insulation, 13.25 X 2.375, 1" thick, (2)
7A	318372002	A B	Insulation, 24 x 2.375, 1" thick, (2)
8	316117500	A B	Glass, oven door, heat barrier
9	318904005	A B	Liner, door
10	5303323139	A B	Screw, 10-24 x 0.906
*	3201909	A B	Washer, flat, lower
12	318053131	A B	Gasket, oven door seal
17	318264711	A B	Spacer, glass, (2)
20	318902901	A -	Spacer, handle, black, (2)
20	318902900	- B	Spacer, handle, white, (2)
23	318900600	A B	Hinge, oven door
*	5304461333	A B	Screw, 10-32 x 17/32
39	241881313	A -	Handle, door, black
39	241881314	- B	Handle, door, white
42	318382301	A B	Bracket, glass retainer, (4)
52	318904701	A B	Trim, door, black, upper
56	5304462581	A B	Screw, 8-32 x 5/16
57	5304436875	A B	Screw, 8-18 X 1/2, black, (3)
64	5304455945	A B	Spacer, pad
*	316221001	A B	Label, anti-tip
*	318346060	A B	Insulation, .125 thick, 3.125 x 8, (2)
*	5303324184	A B	Screw, 8-18 x 5/16, black

WIRING DIAGRAM



WIRING DIAGRAM

