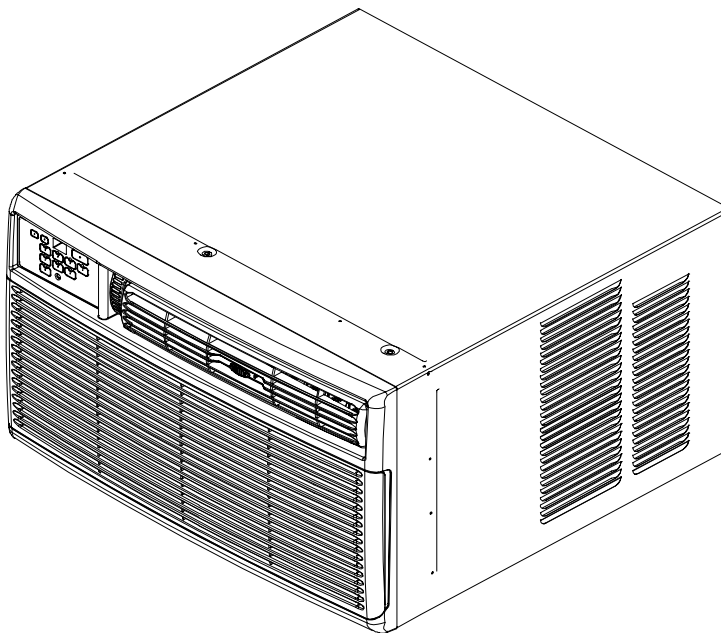


# FACTORY PARTS CATALOG ROOM AIR CONDITIONER

*Frigidaire*



PRODUCT NO.	BASE MODEL NO.	VOLTS	BTU-COOLING
FAC065L7A2	FAC065L7A	115	6100 BTU
<b>MARKET</b>			
North America			

WIRING DIAGRAM - # 309341601  
OWNER'S GUIDE - # 309000825  
ENERGY GUIDE - # 309367484

 **Electrolux**

ELECTROLUX HOME PRODUCTS, INC  
P.O. BOX 212378, AUGUSTA, GA 30917

**ROOM AIR CONDITIONER**

**Model No.**

**FAC065L7A**

Publication No.

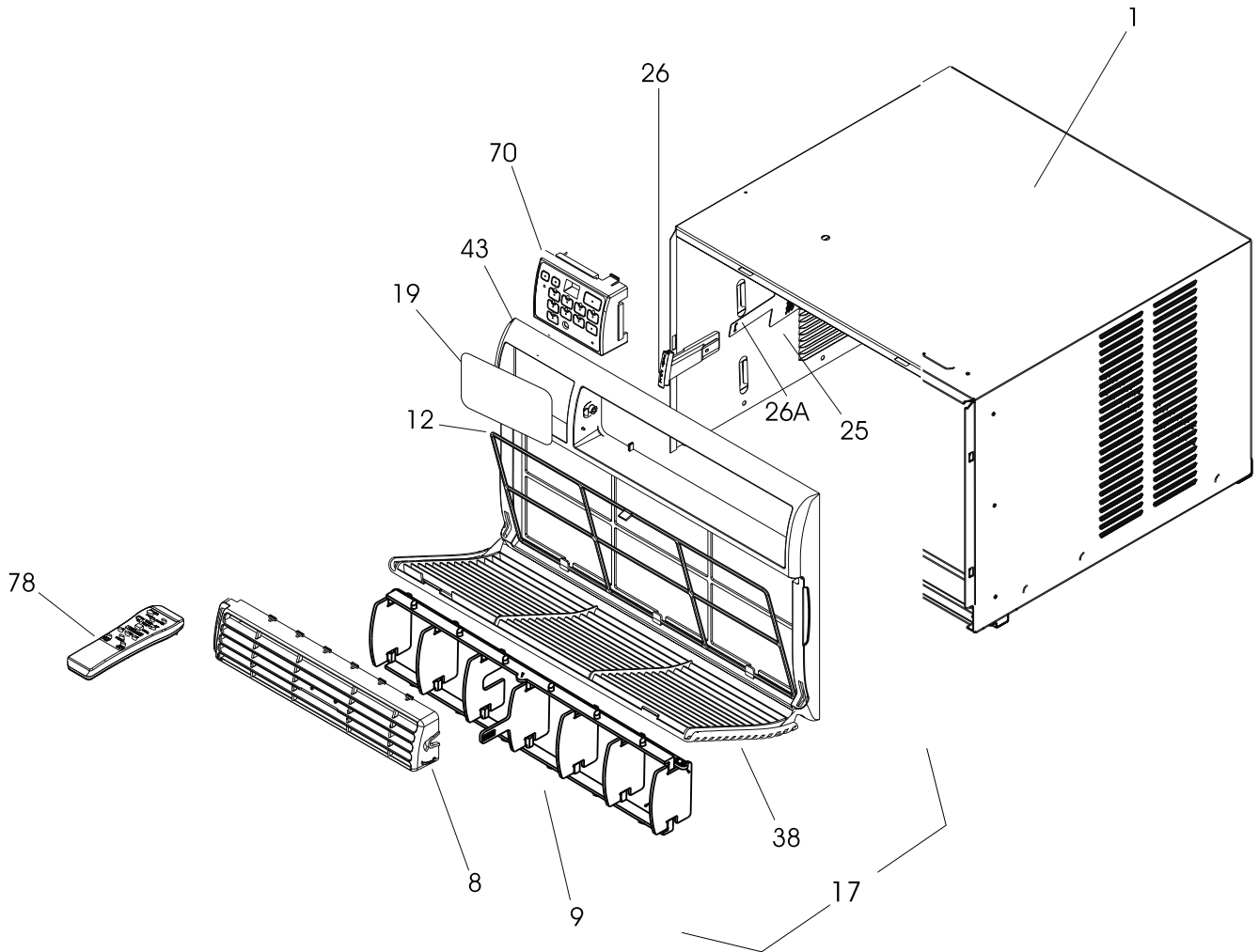
5995371639

020508

-EN/SERVICE /BLT  
345

©2002 Electrolux Home Products, Inc.  
All rights reserved

CABINET FRONT AND WRAPPER

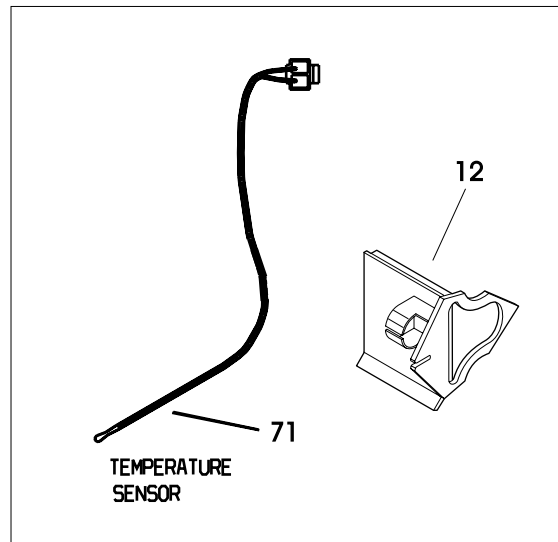
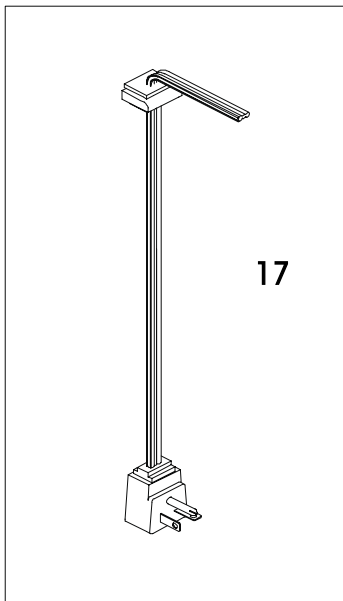
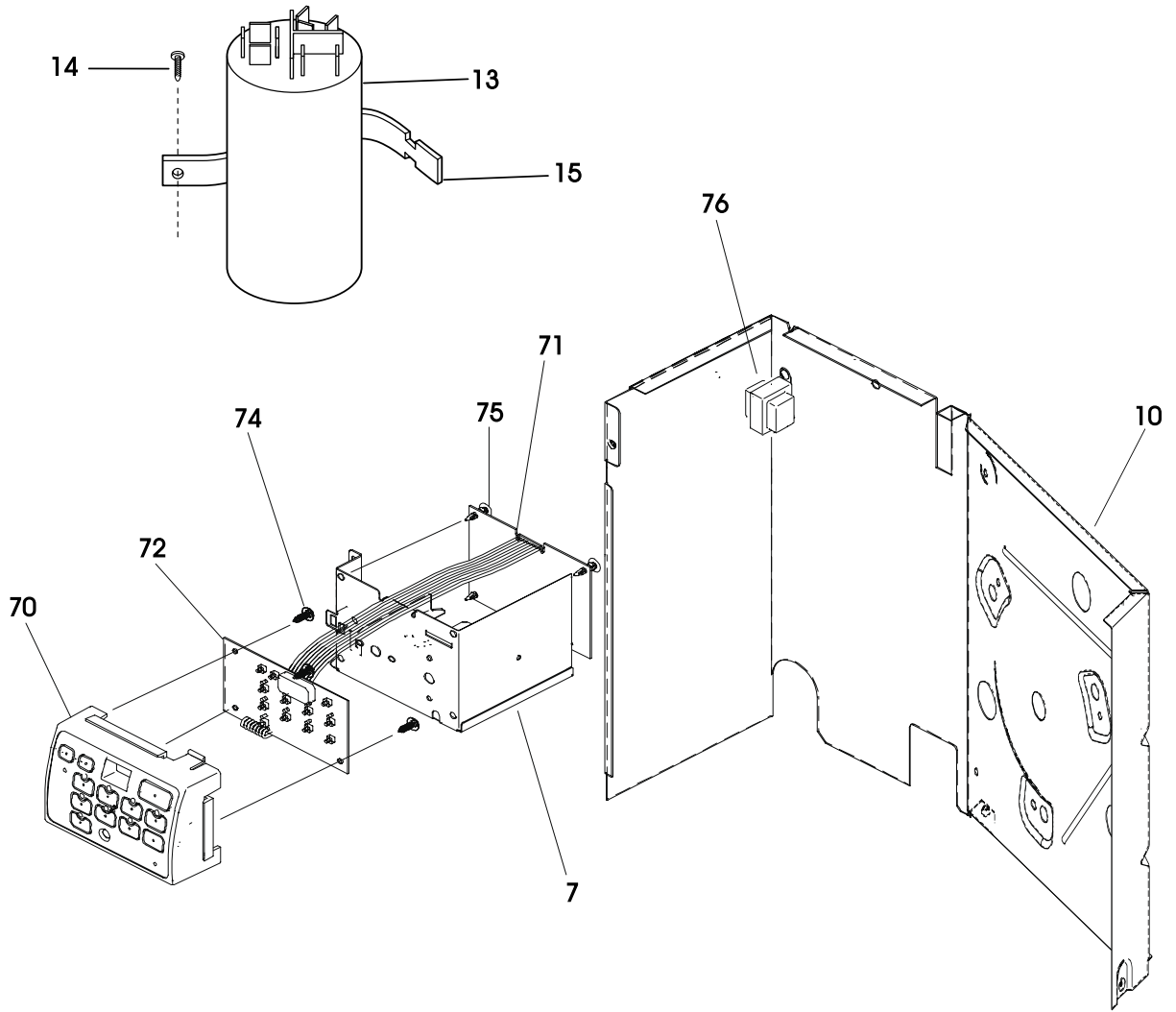


P40V2034

## CABINET FRONT AND WRAPPER

POS. NO	PART NO	DESCRIPTION
1	309643602	Cabinet
1*	5303303691	Screw,truss head ,8-18AB x 0.375 ,w/nibs
8	309640204	Louver Assy,Includes 8 & 9
8*	309639302	Louver,horizontal
9	309647201	Louver,vertical ,with link
12	309343501	Filter-air,7.12 x 17.31 ,no frame
17	309640104	Front-cabinet,4 way ,complete assy
*	3015312	Screw,8-18AB x 0.500
19	309340802	Overlay,control
25	309328603	Door,fresh air vent
26	309638201	Handle,vent door
26A	309330201	Detent,vent
38	309646301	Panel,cabinet front
43	309646401	Frame,cabinet front
70	309342201	Enclosure,elec control mt
78	309342604	Remote Control,transmitter ,with batteries

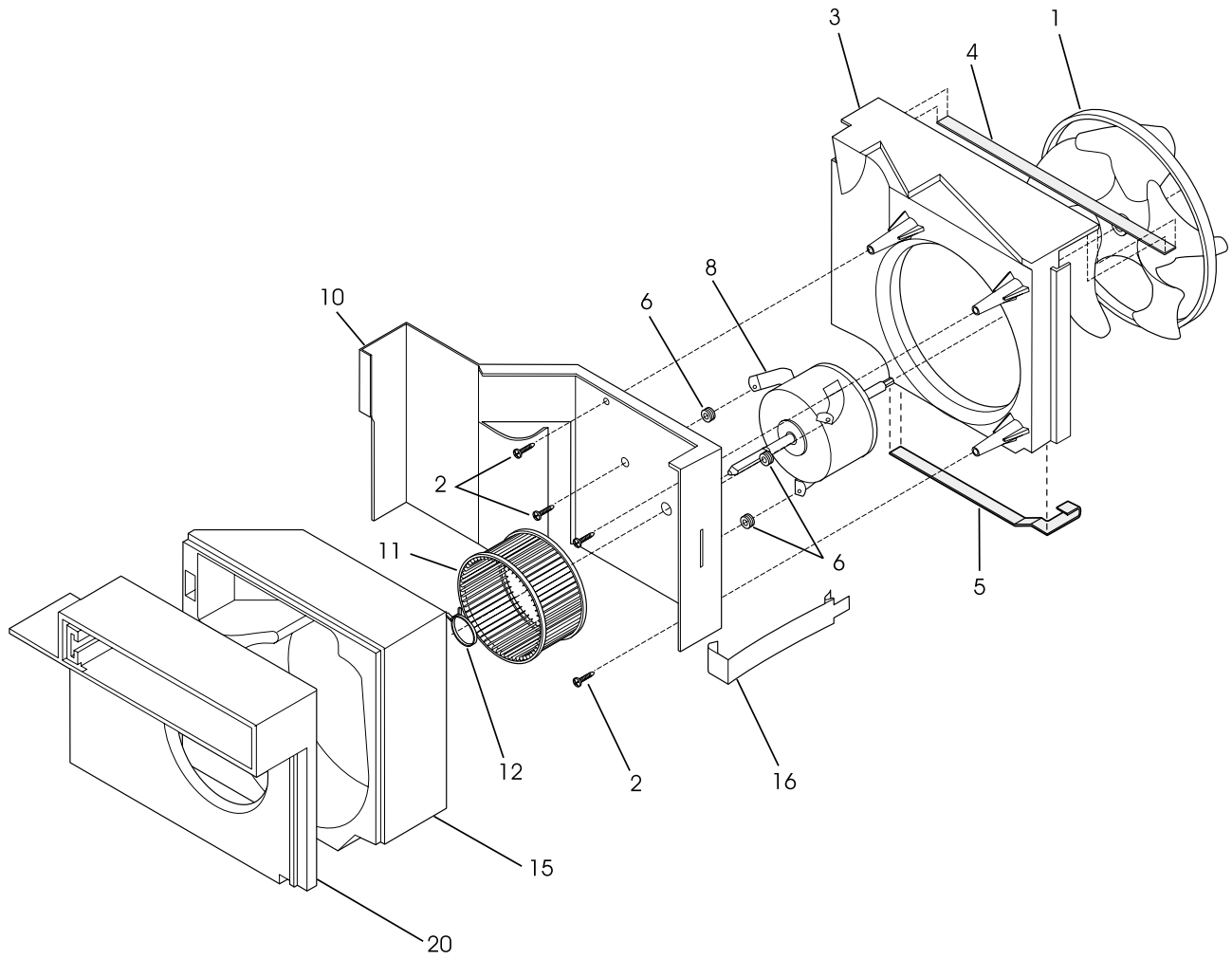
CONTROLS



## CONTROLS

POS. NO	PART NO	DESCRIPTION
7 #	309643801	Control Box
10	309643702	Bulkhead
10*	309111201	Grommet,wire protector
12	5304413782	Holder,thermistor ,w/seal
13 #	5304426449	Capacitor,250 V ,35+5 mfd
14	5303285199	Screw,Ph truss hd ,8-18 x 0.38 ,grounding
15	309351901	Strap,capacitor mtg.
17 #	309343101	Cord-electric power,18 AWG ,115 V
*	3015312	Screw,8-18AB x 0.500
70	309342201	Enclosure,elec control mt
71	309340503	PC Board,power
72 #	309340505	PC Board,input ,11.5 MM display
72*	5304417643	Ribbon Protector
74	5303301590	Screw,6-20AB x 0.38
75	5304413781	Support,PC board
76	309111601	Transformer,120/12 Volt

AIR HANDLING PARTS

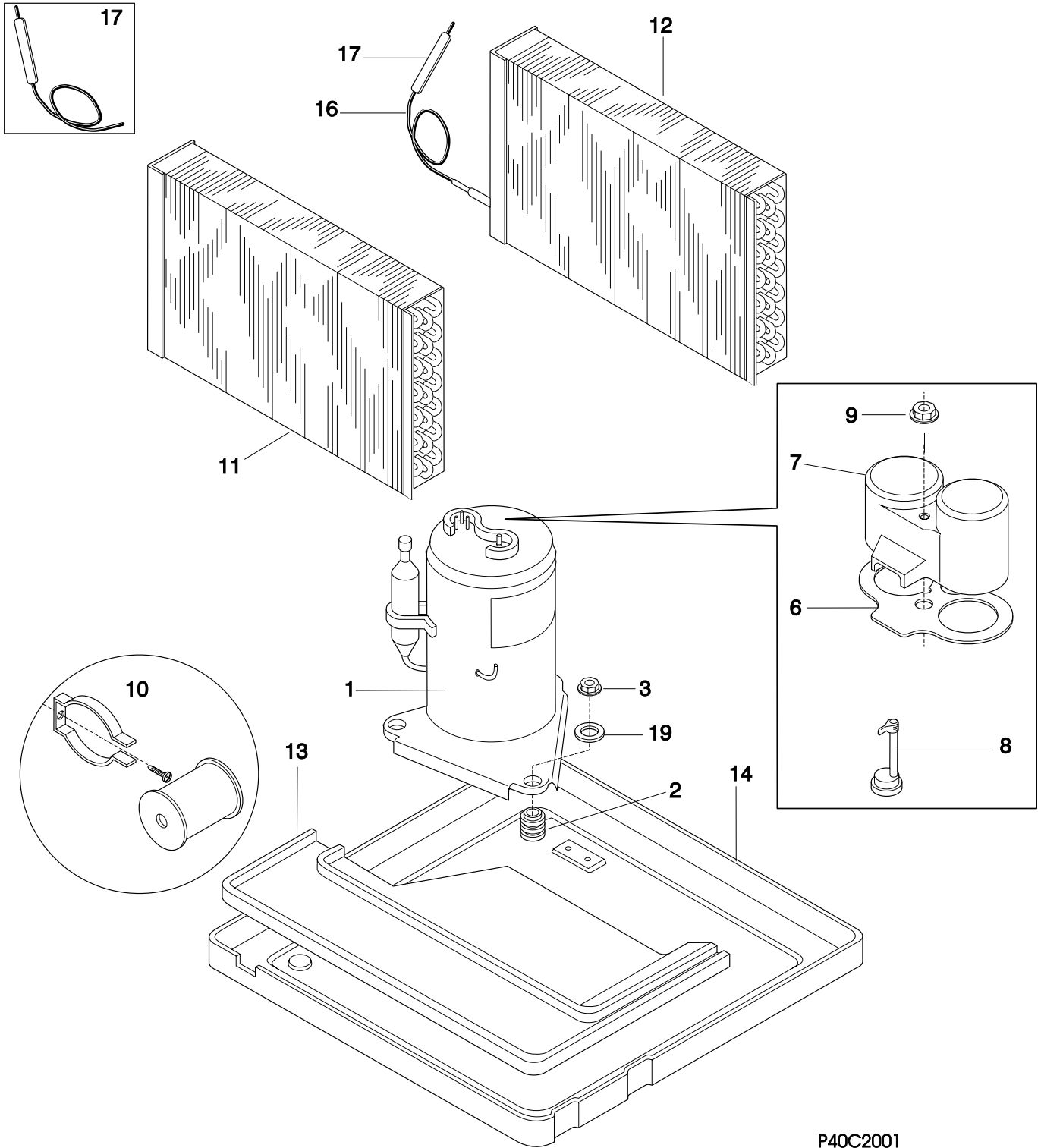


P40M2021

## AIR HANDLING PARTS

POS. NO	PART NO	DESCRIPTION
1 #	309646202	Fan Blade,with clamp
1*	5303303691	Screw,truss head ,8-18AB x 0.375 ,w/nibs
2	3202975	Screw,10-16AB x 0.72 ,square drive
3	309643901	Housing,fan shroud
4	5303303759	Seal,bottom
5	5304421913	Seal,top
6	08007481	Nut,Keps ,motor mtg ,(4)
8 #	309645002	Motor,fan
10	309643702	Bulkhead
11 #	309643302	Blower Wheel,8mm hub
12	327161302	Clamp,blower wheel mt ,compression
15	309642901	Housing,blower scroll ,Extended
16	309100201	Clip,evap/bulkhead
20	309643004	Plate,housing/scroll

COMPRESSOR PARTS



P40C2001



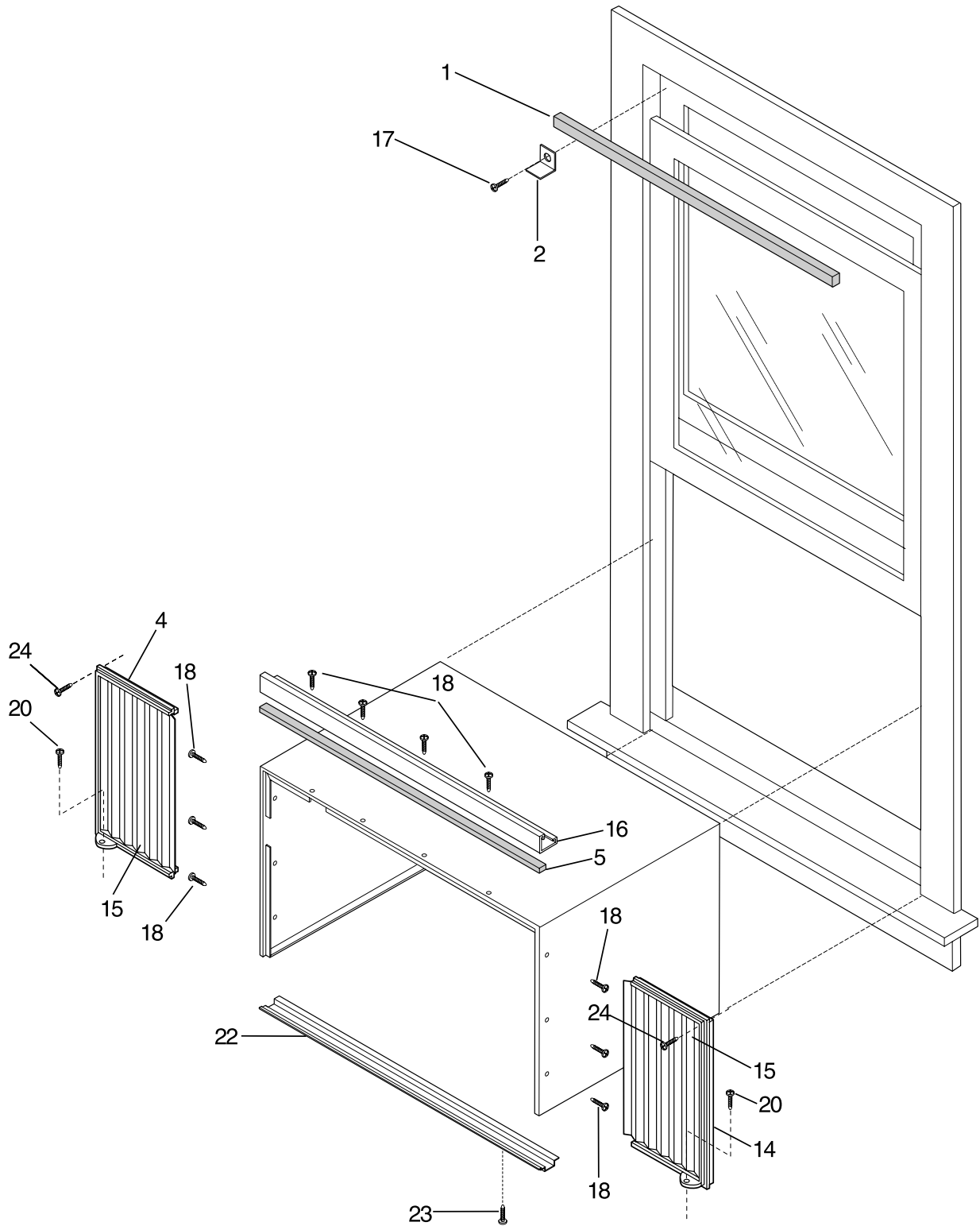
---

**COMPRESSOR PARTS**


---

<b>POS. NO</b>	<b>PART NO</b>	<b>DESCRIPTION</b>
1 #	309616921	Compressor
1*	5303303691	Screw,truss head ,8-18AB x 0.375 ,w/nibs
2	5303283877	Grommet,compressor mtg ,(3)
3	5308006948	Nut,compressor mtg ,(3)
6	3201668	Gasket,terminal cover
7	5304405245	Cover,compr terminal
8 #	5303317553	Overload Protector
9	3201670	Nut,terminal cover
10 #	5303317601	Start Assist Kit,compressor
11 #	309637507	Evaporator
12 #	309645303	Condenser
13 #	309642801	Tray,evap drip
14	309644003	Base,compressor mt. ,with studs
16 #	5308017120	Capillary Tube,45 inch long ,cut to length
17 #	5300265301	Drier-filter,service kit
17*	5303290357	Strainer
19	5303002664	Washer,compressor mtg
19*	309112501	Washer,metallic

WINDOW MOUNTING PARTS



P40A1001

## WINDOW MOUNTING PARTS

POS. NO	PART NO	DESCRIPTION
1	5304407729	Seal,window stuffer
2	5303211056	Bracket,sash lock
4	309644901	Frame Extension Kit,accordian ,LH & RH ,includes 4 & 14
4*	5304413847	Extension-frame,LH ,w/o accordian
5	08016226	Seal,top rail/cab
14	5304414121	Frame,cab extension ,RH
15	309626504	Closure,accordian type ,window mount
16	5304417362	Rail,retainer ,top
17	3002803	Screw,wood, type 17 ,10-12 x 0.750
18	5303303691	Screw,truss head ,8-18AB x 0.375 ,w/nibs
20	5304411997	Screw,8-18 x 0.750
22	5304403252	Rail,retainer ,bottom
23	3001806	Screw,23(T) ,10-32 x 0.310
24	5308002974	Screw,wood,type 17 ,8-15 x 0.500

309341601

SUB.  
1

