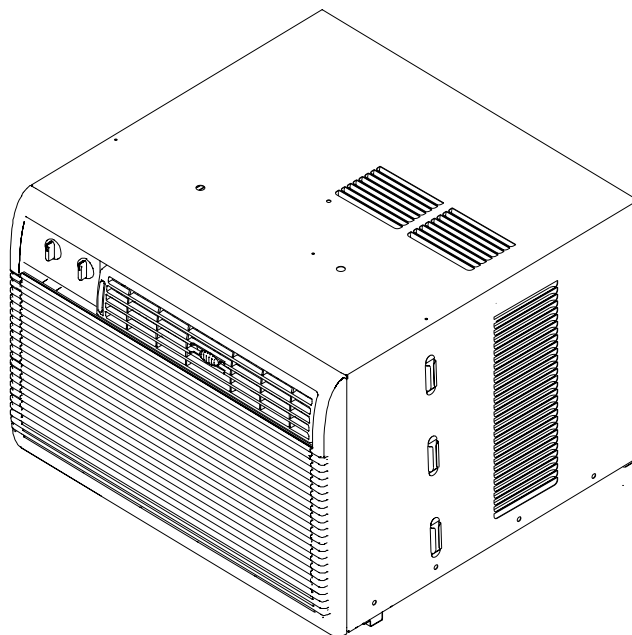


FACTORY PARTS CATALOG ROOM AIR CONDITIONER

Frigidaire

 **Electrolux**



PRODUCT NO.	BASE MODEL NO.	SERIES	VOLTS	BTU-COOLING
FAC082M7A1	FAC082M7A	Compact	115	8000 BTU
MARKET				
USA				

WIRING DIAGRAM - # 309107703
OWNER'S GUIDE - # 309000823
ENERGY GUIDE - # 309369924

 **Electrolux**

ELECTROLUX HOME PRODUCTS, INC
P.O. BOX 212378, AUGUSTA, GA 30917

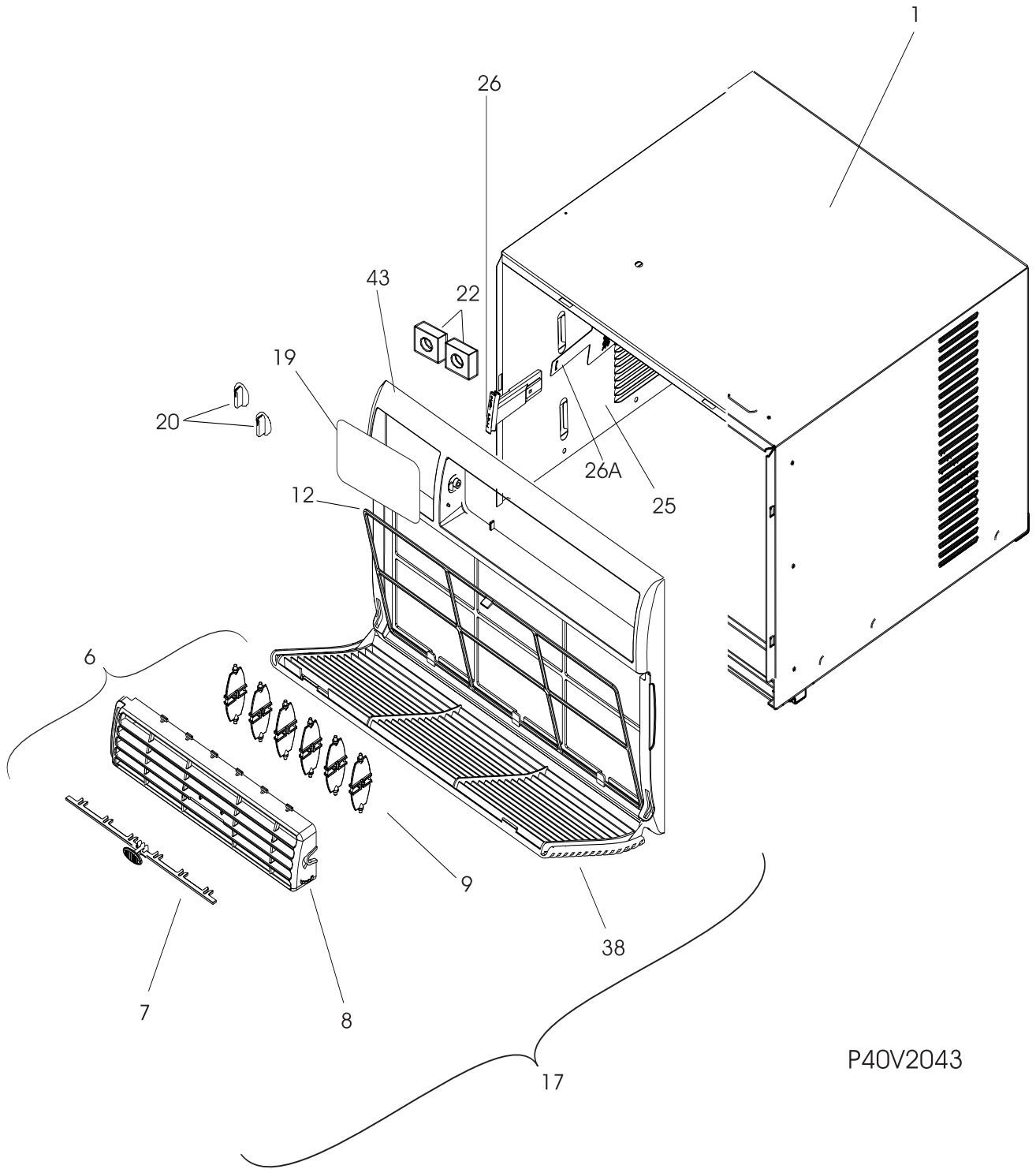
ROOM AIR CONDITIONER

Model No.
FAC082M7A1

Publication No.
5995382966
021217
-EN/SERVICE /KC
345

©2002 Electrolux Home Products, Inc.
All rights reserved

CABINET FRONT AND WRAPPER

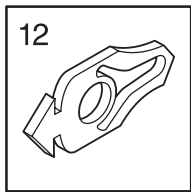
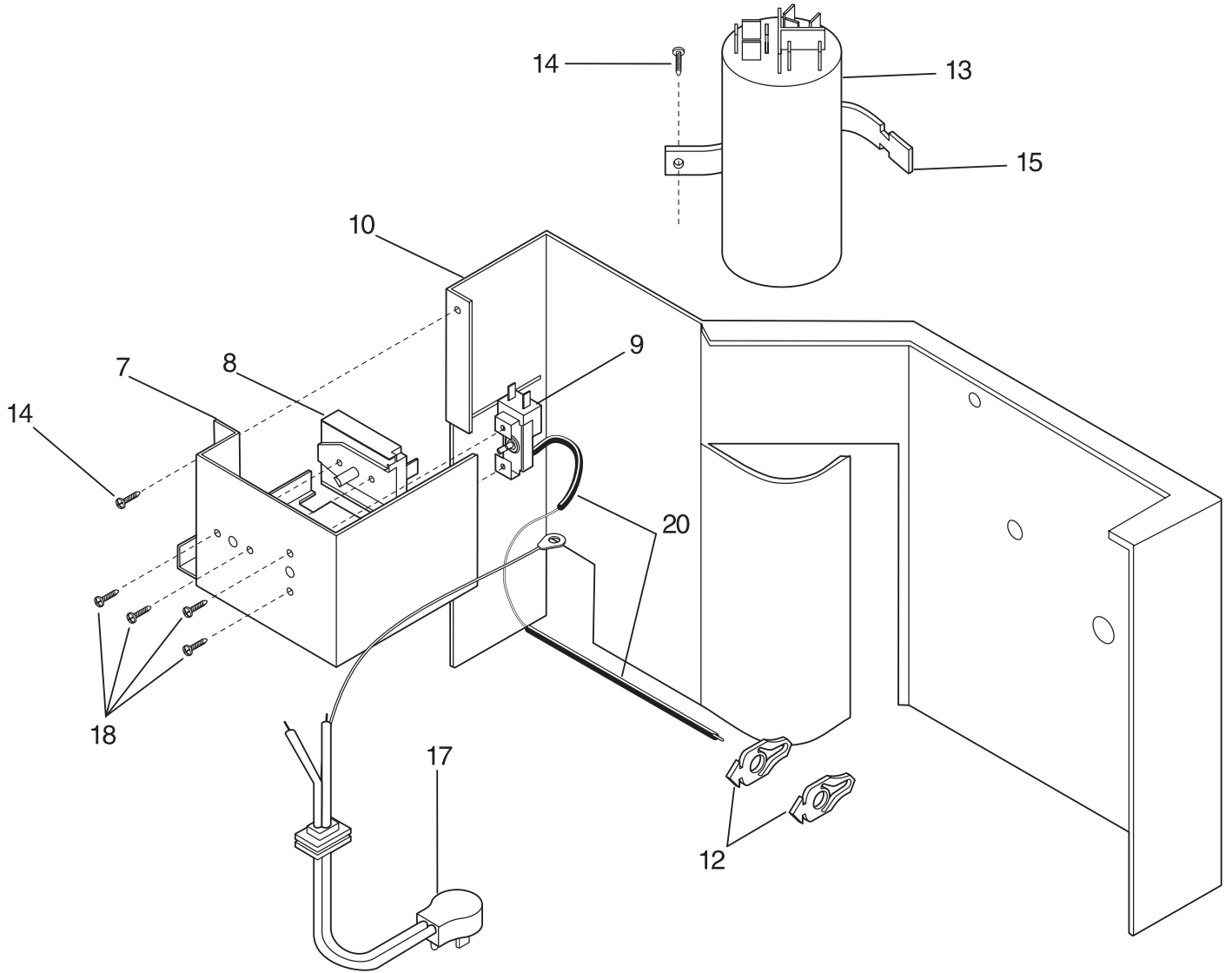


P40V2043

CABINET FRONT AND WRAPPER

POS. NO	PART NO	DESCRIPTION
1	309643602	Cabinet,wrapper
*	5303303691	Screw,truss head ,8-18AB x 0.375 ,w/nibs
6	309640206	Louver Assy,Includes 7,8,9
7	309638002	* Link,vertical louver ,with handle
8	309639302	* Louver,horizontal
9	309342001	* Louver,vertical ,(6)
12	309343501	Filter,air ,7.12 x 17.31 ,no frame
17	309640104	Front Assembly,cabinet ,w/8,9,12,38,43
*	3015312	Screw,8-18AB x 0.500
19	309342909	Dial Plate
20	309364102	Knob,rotary control
22	5303001775	Spacer,dial plate
25	309328603	Door,fresh air vent
26	309638201	Handle,vent door
26A	309330201	Detent,vent
38	309646301	Panel,cabinet front
43	309646401	Frame,cabinet front
*	309369924	Energy Guide,FAC082M7A1

CONTROLS

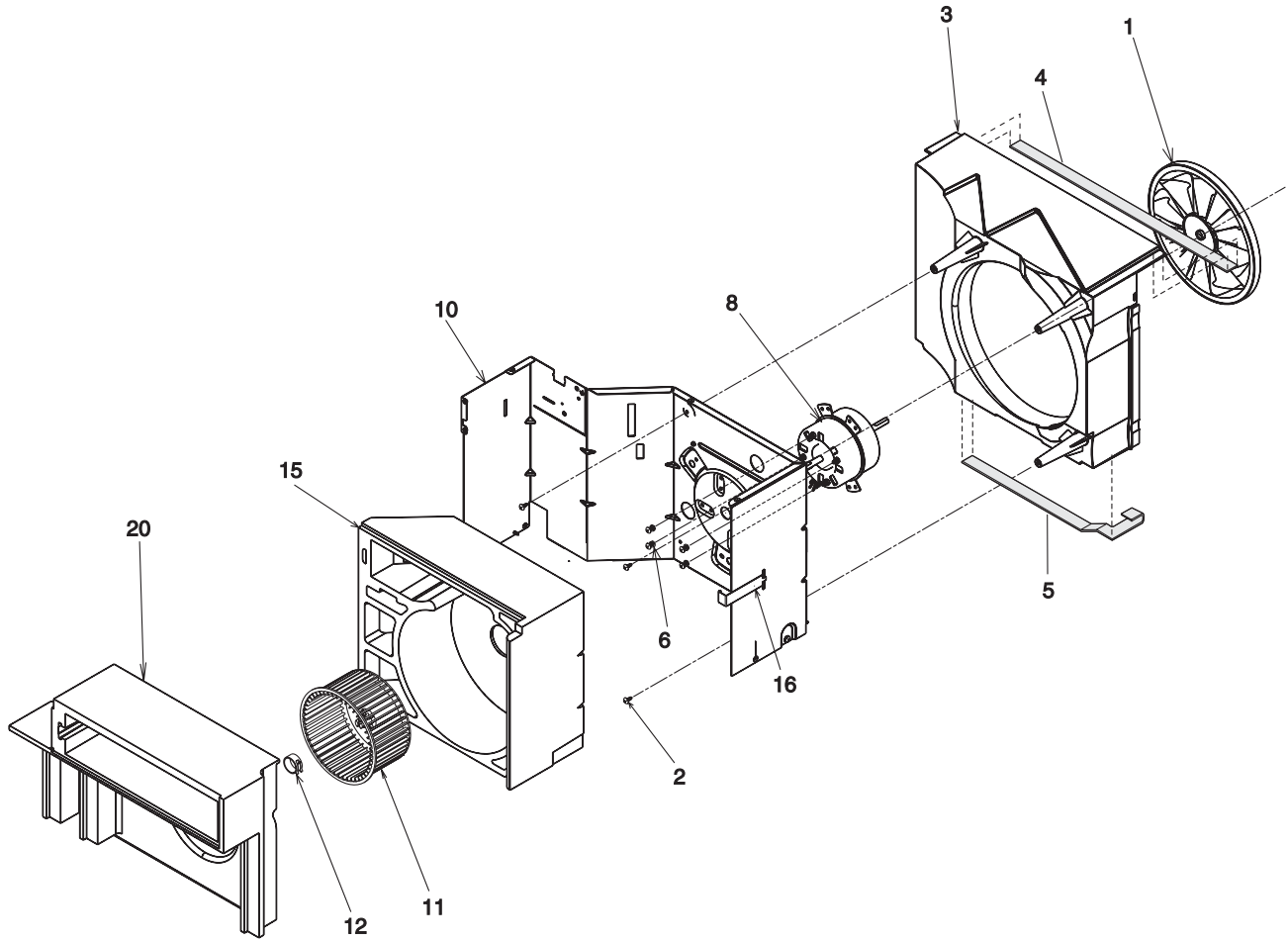


P40F2027

CONTROLS

POS. NO	PART NO	DESCRIPTION
7	309643802	Control Box
8 #	5303323284	Switch,selector ,7 posn,3 speed
9 #	5304402838	Control,temperature
10	309643702	Bulkhead
10*	309111201	Grommet,wire protector
12	309101202	Clip,retainer ,temp sensor ,(2)
13 #	5304426450	Capacitor,250 V ,40+10 mfd
14	3015312	Screw,8-18AB x 0.500
15	309351901	Strap,capacitor mtg.
17 #	309343122	Cord-electric power,18 AWG ,115 V
*	5303285199	Screw,Ph truss hd ,8-18 x 0.38 ,grounding
18	5303007754	Screw,6-32 x 0.188
20	5304417582	Sleeve,temp sensor ,6 in.

AIR HANDLING PARTS

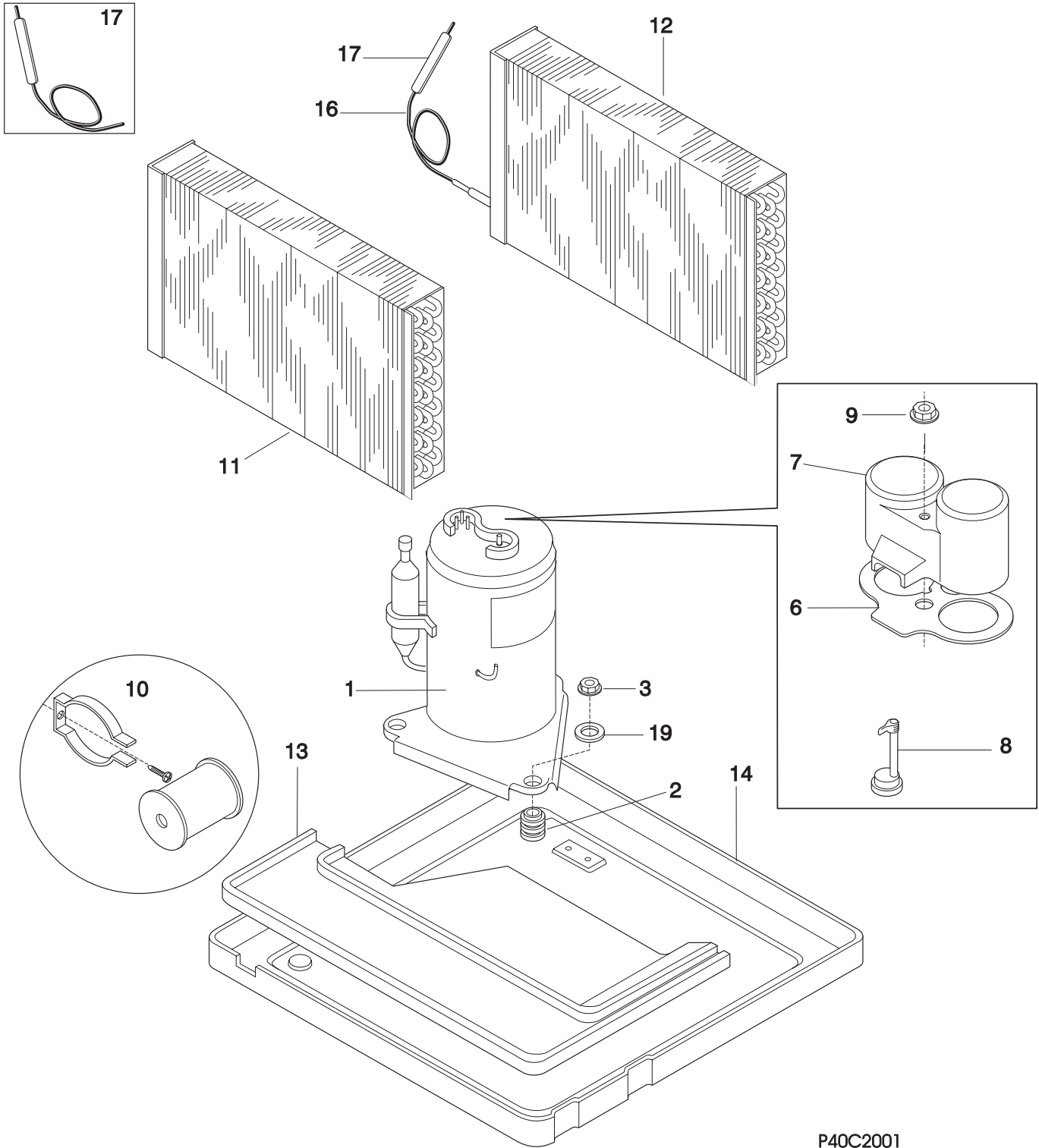


P40M2022

AIR HANDLING PARTS

POS. NO	PART NO	DESCRIPTION
1	309645702	Fan Blade,with clamp
2	3202975	Screw,10-16AB x 0.72 ,square drive
3	309643901	Housing,fan shroud
4	5304421913	Seal,top
5	5303303759	Seal,bottom
6	08007481	Nut,Keps ,motor mtg ,(4)
8 #	309644302	Motor,fan
10	309643702	Bulkhead
11 #	309631701	Blower Wheel
12	309112101	Clamp,blower wheel mt ,compression
15	309642901	Housing,blower scroll ,Extended
16	309100201	Clip,evap/bulkhead
20	309643002	Plate,scroll cover

COMPRESSOR PARTS

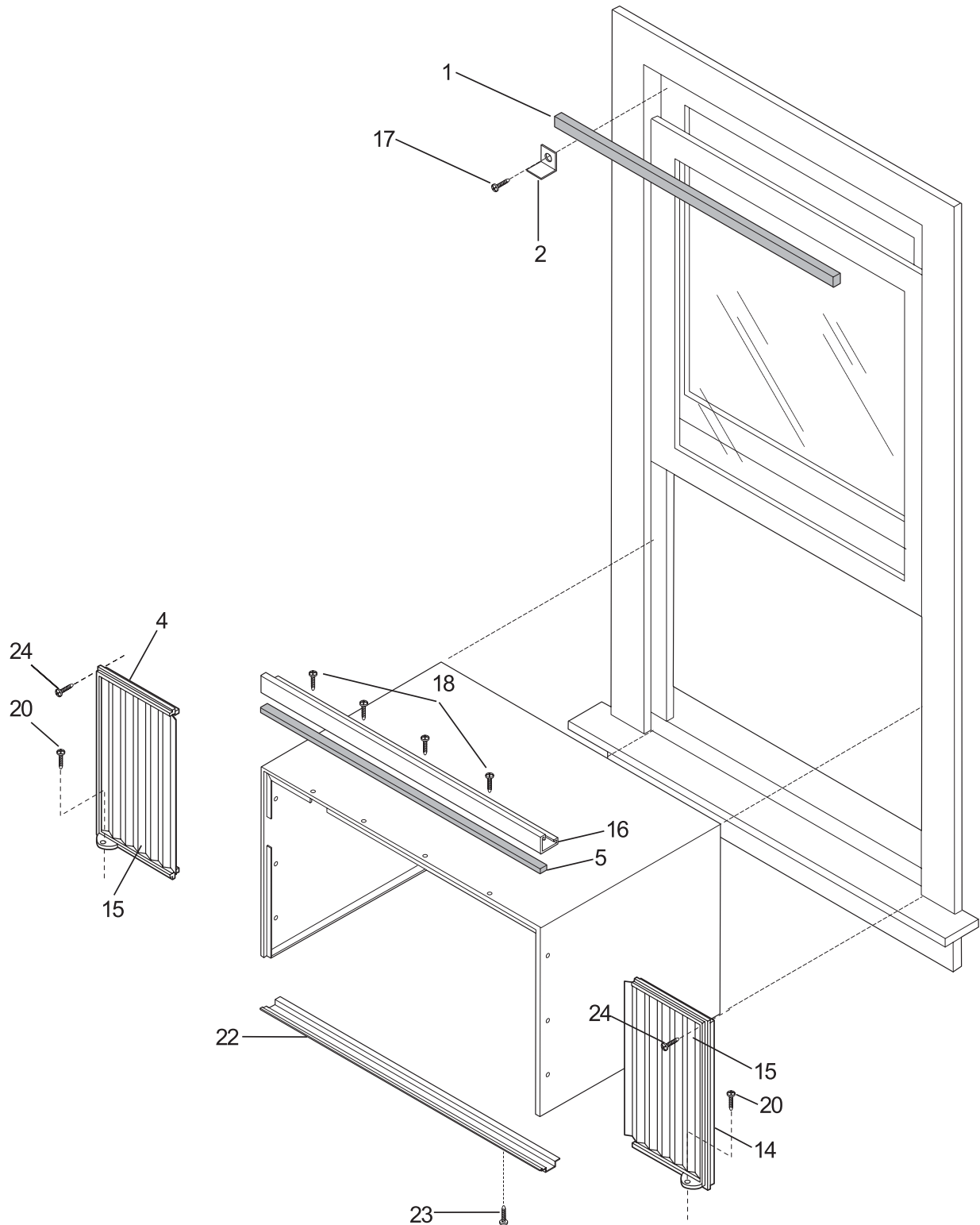


P40C2001

COMPRESSOR PARTS

POS. NO	PART NO	DESCRIPTION
1 #	309616918	Compressor
2	5303283877	Grommet,compressor mtg ,(3)
3	5308006948	Nut,compressor mtg ,(3)
6	3201668	Gasket,terminal cover
7	5304405245	Cover,compr terminal
8 #	5304402840	Overload Protector
9	3201670	Nut,terminal cover
10 #	5303317601	Start Assist Kit,compressor
11 #	309619311	Evaporator
12 #	309645305	Condenser
13	309642801	Tray,evap drip
14	309644003	Base,compressor mt. ,with studs
16 #	5303303064	Capillary Tube,30 inch long
17 #	5300265301	Drier-filter,service kit
19	309112501	Washer,metallic

WINDOW MOUNTING PARTS



P40A2005

WINDOW MOUNTING PARTS

POS. NO	PART NO	DESCRIPTION
1	5304407729	Seal,window stuffer
2	5303211056	Bracket,sash lock
4	309644902	Frame Extension Kit,accordian ,LH & RH ,incl. 4,14,15
4	5304423372	Extension,sliding frame ,LH cab front ,w/closure panel
5	08016226	Seal,top rail/cab
14	5304423373	Extension,sliding frame ,RH cab front ,w/closure panel
15	309645501	Panel,accordian ,RH/LH ,window closure
16	5304417362	Rail,retainer ,top
17	3002803	Screw,wood, type 17 ,10-12 x 0.750
18	5303303691	Screw,truss head ,8-18AB x 0.375 ,w/nibs
20	5304411997	Screw,8-18 x 0.750
22	5304403252	Rail,retainer ,bottom
23	3001806	Screw,23(T) ,10-32 x 0.310
24	5308002974	Screw,wood,type 17 ,8-15 x 0.500

309107703 SUB.
1

