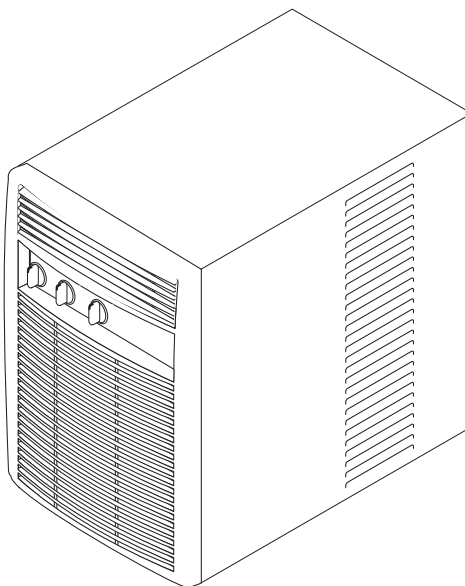


FACTORY PARTS CATALOG ROOM AIR CONDITIONER

Frigidaire



PRODUCT NO.	BASE MODEL NO.	VOLTS	BTU-COOLING
FAK103J1V3	FAK103J1V3	115	10000 BTU
MARKET			
USA			

WIRING DIAGRAM - # A232012
OWNER'S GUIDE - # 309000816
ENERGY GUIDE - # 309367405

Electrolux

ELECTROLUX HOME PRODUCTS, INC
P.O. BOX 212378, AUGUSTA, GA 30917

ROOM AIR CONDITIONER

Model No.

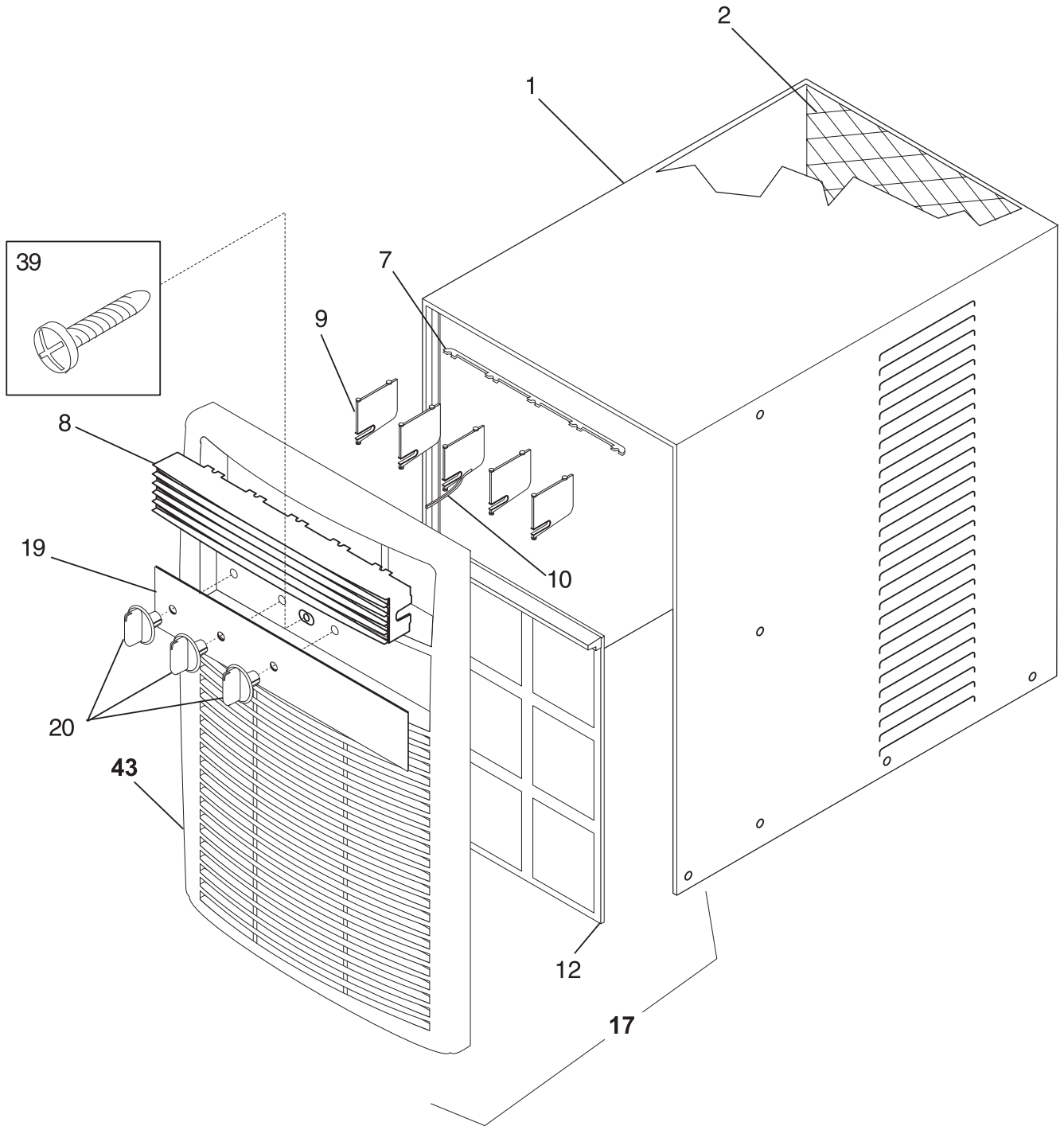
FAK083J1V3

Publication No.
5995367918

020309
-EN/SERVICE /BLT
345

©2002 Electrolux Home Products, Inc.
All rights reserved

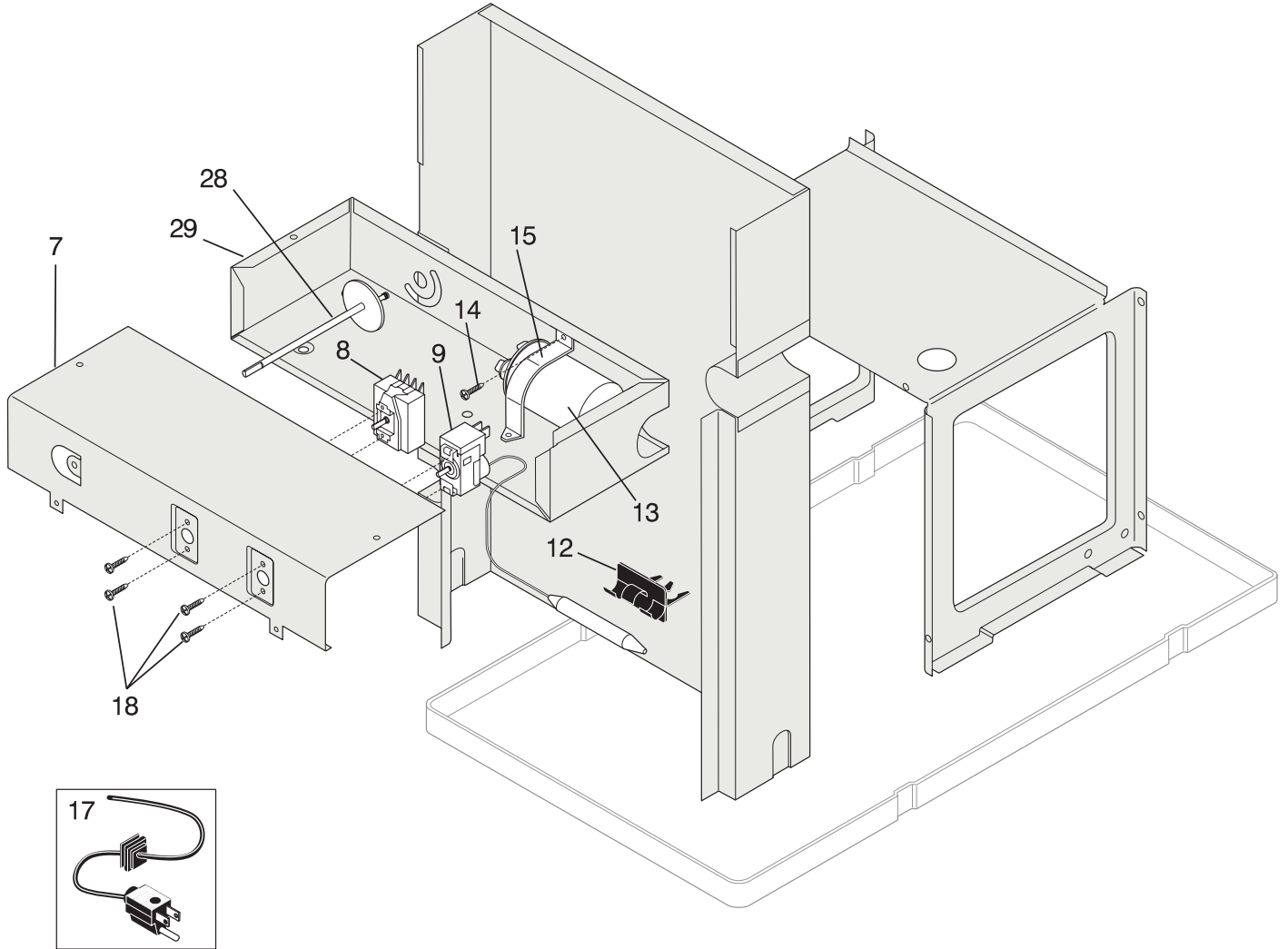
CABINET FRONT AND WRAPPER



P40V2024

CABINET FRONT AND WRAPPER

POS. NO	PART NO	DESCRIPTION
1	309622004	Cabinet,sleeve ,complete assy
2	5303317604	Grille,rear
7	5304414087	Link,vertical louver
8	309622204	Louver,horizontal
8	309622504	Louver Assy,Incl-7,8,9,10
9	309622103	Louver,vertical
10	309622104	Louver,vertical ,w/handle
12	309622304	Filter,air ,front
17	309622404	Front Assy,complete ,7,8,9,10,12,43
19	309622609	Dial Plate
20	309307013	Knob,control
39	3015312	Screw,8-18AB x 0.500
43	309621804	Frame,cabinet front
*	309367405	Energy Guide,FAK103J1V3

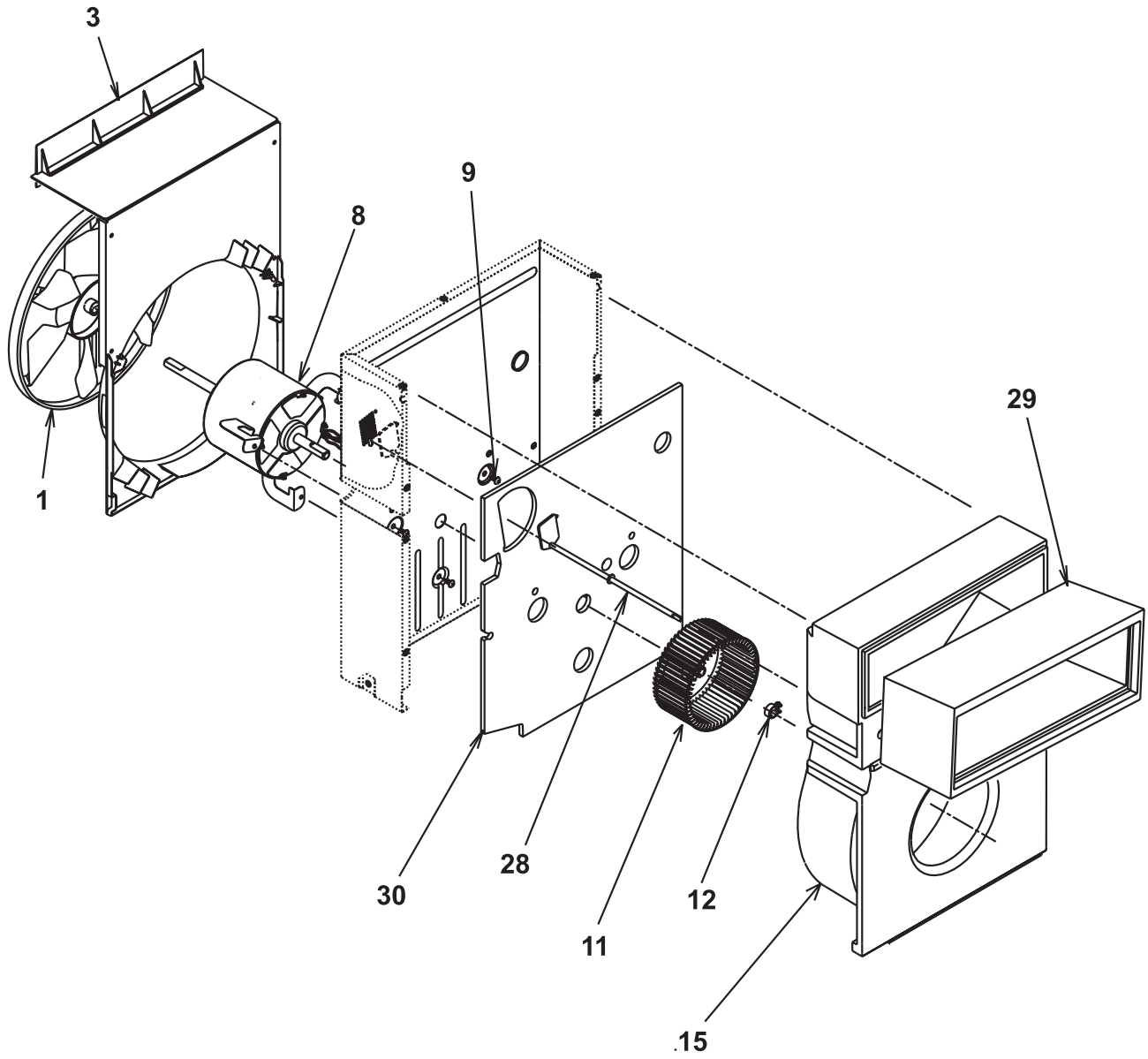


P40F2020

CONTROLS

POS. NO	PART NO	DESCRIPTION
7	309606501	Panel-mounting,controls
8 #	5303323284	Switch,selector ,7 posn,3 speed
9 #	5304409252	Control temperature
12	309321201	Clip,temp sensor mtg ,thermostat
13 #	5304416302	Capacitor,370 V ,40+15 uF
14	5303285199	Screw,Ph truss hd ,8-18 x 0.38 ,ground
15	5303303077	Strap,capacitor mtg.
17 #	309343105	Cord-electric power,type A ,16 AWG
*	5303303691	Screw,truss head ,8-18AB x 0.375 ,w/nibs
18	5303007754	Screw,6-32 x 0.188
28	309625301	Door Opener,vent mechanism
29	309606402	Control Box

AIR HANDLING PARTS

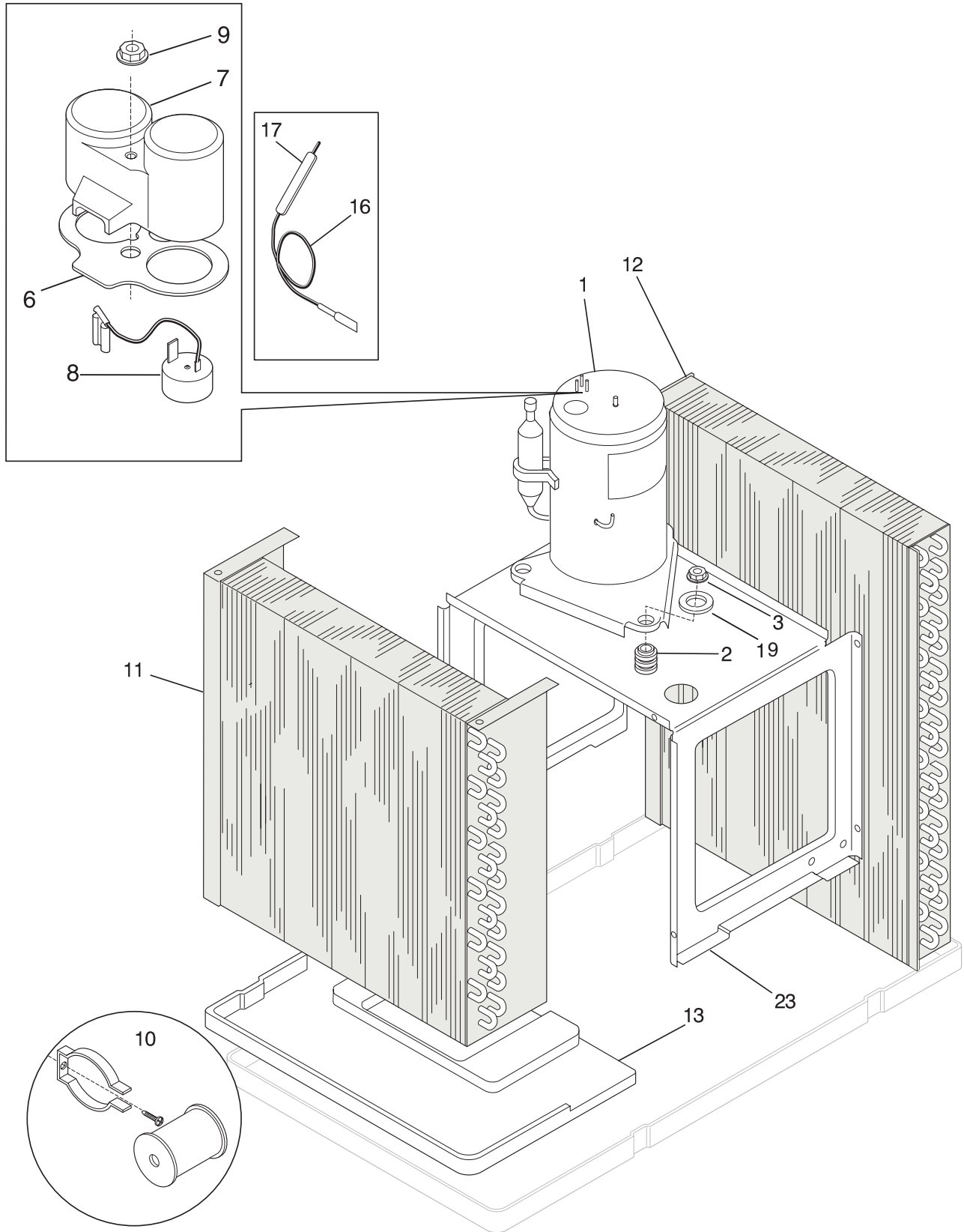


P40M2018

AIR HANDLING PARTS

POS. NO	PART NO	DESCRIPTION
1 #	309626001	Fan Blade
3	309642301	Housing,fan shroud
8 #	309646001	Motor,fan
9	3202975	Screw,10-16AB x 0.72 ,square drive
11 #	309625201	Blower Wheel,plastic
12	5303012110	Clamp,blower wheel mt
15	309624801	Housing,blower scroll
28	309625301	Door Opener,vent mechanism
29	309624901	Adapter,scroll/housing ,front
30	309624601	Plate,scroll/housing ,back

COMPRESSOR PARTS

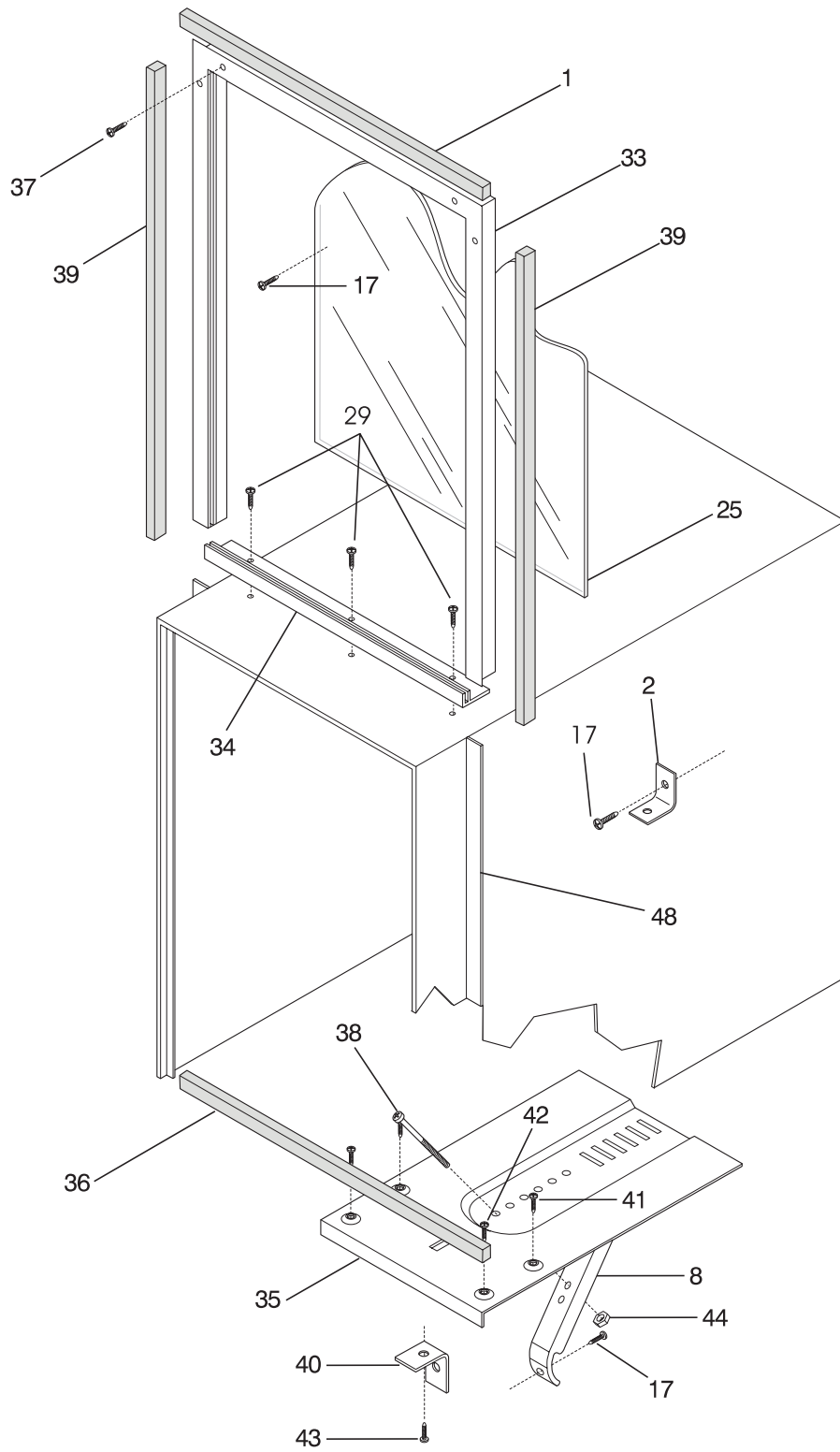


P40C2034

COMPRESSOR PARTS

POS. NO	PART NO	DESCRIPTION
1	5304414964	Compressor
2	5303283877	Grommet,compressor mtg ,(3)
3	5308006948	Nut,compressor mtg ,(3)
6	3200282	Gasket,terminal cover
7	3200281	Cover,compr terminal
8 #	5303203064	Overload Protector
9	5303211017	Nut,terminal cover ,compressor elec
10 #	5303317601	Start Assist Kit,compressor
11 #	309617009	Evaporator
12 #	309617311	Condenser
13	309624101	Tray-evaporator
16	5303289577	Capillary Tube,40 inch long ,cut-to-length
17 #	5300265301	Drier-filter,service kit
19	5303002664	Washer,compressor mtg
19*	309112501	Washer,metallic
23	309627602	Base,compressor mt.

WINDOW MOUNTING PARTS



P40A2003

WINDOW MOUNTING PARTS

POS. NO	PART NO	DESCRIPTION
1	5303313968	Seal,frame ,top
1*	5304407729	Seal>window stuffer
2	5303211056	Bracket,sash lock
8	5304414113	Support,mounting plate
17	5304411997	Screw,8-18 x 0.750
25	309335103	Panel>window ,crctd. plastic
29	3015312	Screw,8-18AB x 0.500
33	5304414118	Frame,expander ,sliding
33*	5304414119	Divider,expander frame
34	5304414112	Retainer>window panel
35	5304414114	Plate,mounting ,grey
36	5308047524	Seal,mounting plate
37	5308047558	Screw,pan head ,8-32D x 0.75 ,slotted
38	5308047562	Screw,adjusting ,1/4-20 x 6.00 ,mounting plate
39	5303313967	Seal,frame ,side ,(2)
40	5304414085	Bracket,safety
41	5300125233	Screw,pan head ,10-12A x 1.00 ,slotted
42	5300507212	Screw,pan head ,10-12A x 1.75 ,slotted
43	5300507693	Screw,flat head wood ,10-12A x 2.50 ,slotted
44	3007759	Nut,lock ,1/4-20 ,support bracket
48	309305302	Channel,slide ,side mt. ,(2)
*	5303303691	Screw,truss head ,8-18AB x 0.375 ,w/nibs
48*	5314930813	Seal,slide channel
*	309625802	Window Mounting Kit

A232012

SUB.
1

