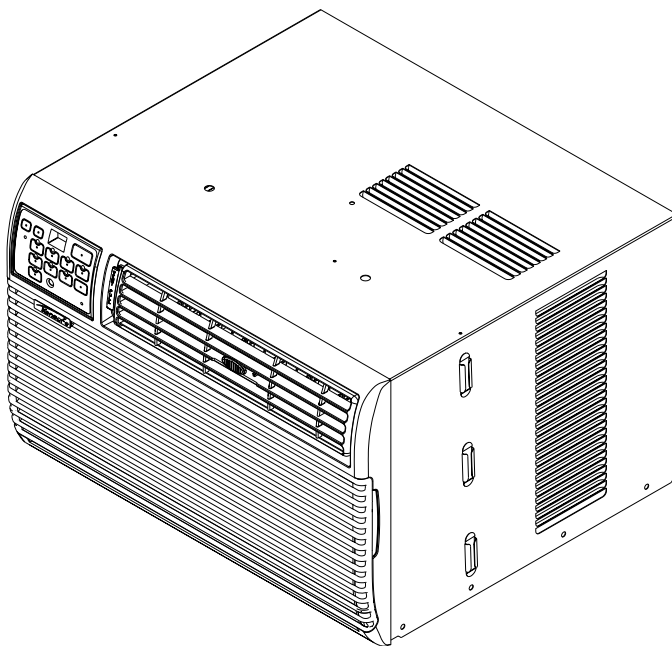


# FACTORY PARTS CATALOG ROOM AIR CONDITIONER

*Frigidaire*



PRODUCT NO.	BASE MODEL NO.	OWNER'S GUIDE	BTU-COOLING
FAS153K1A1	FAS153K1A	309000825	15000BTU

WIRING DIAGRAM - # 309341601  
OWNER'S GUIDE - # 309000825

 **Electrolux**

ELECTROLUX HOME PRODUCTS NORTH AMERICA  
P.O. BOX 212378, AUGUSTA, GA 30917

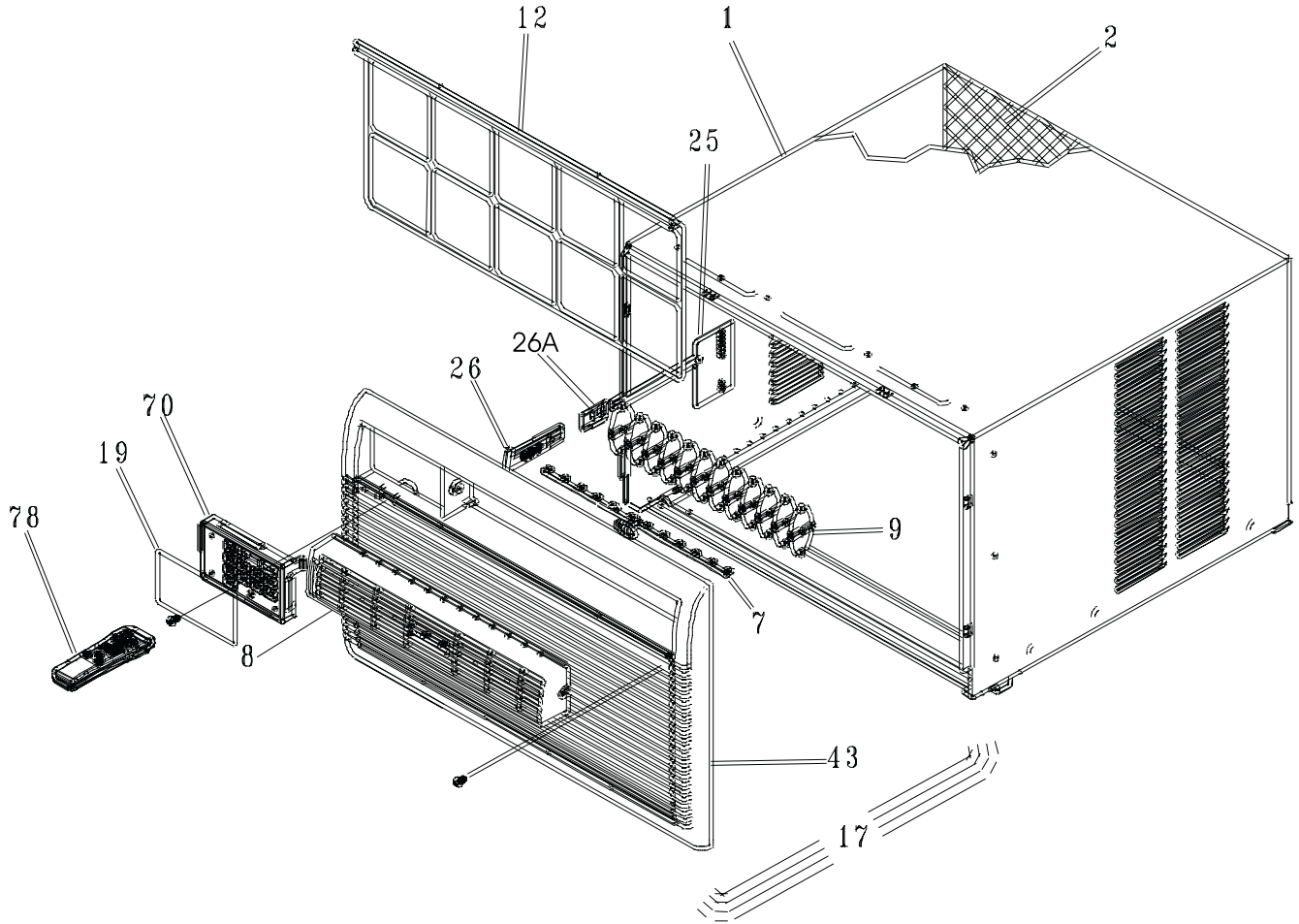
Publication No.  
5995353603  
010511  
-EN/SERVICE /DJH  
345

**ROOM AIR CONDITIONER**

**Model No.**  
**FAS153K1A**

©2001 White Consolidated Industries, Inc.  
All rights reserved

CABINET FRONT AND WRAPPER



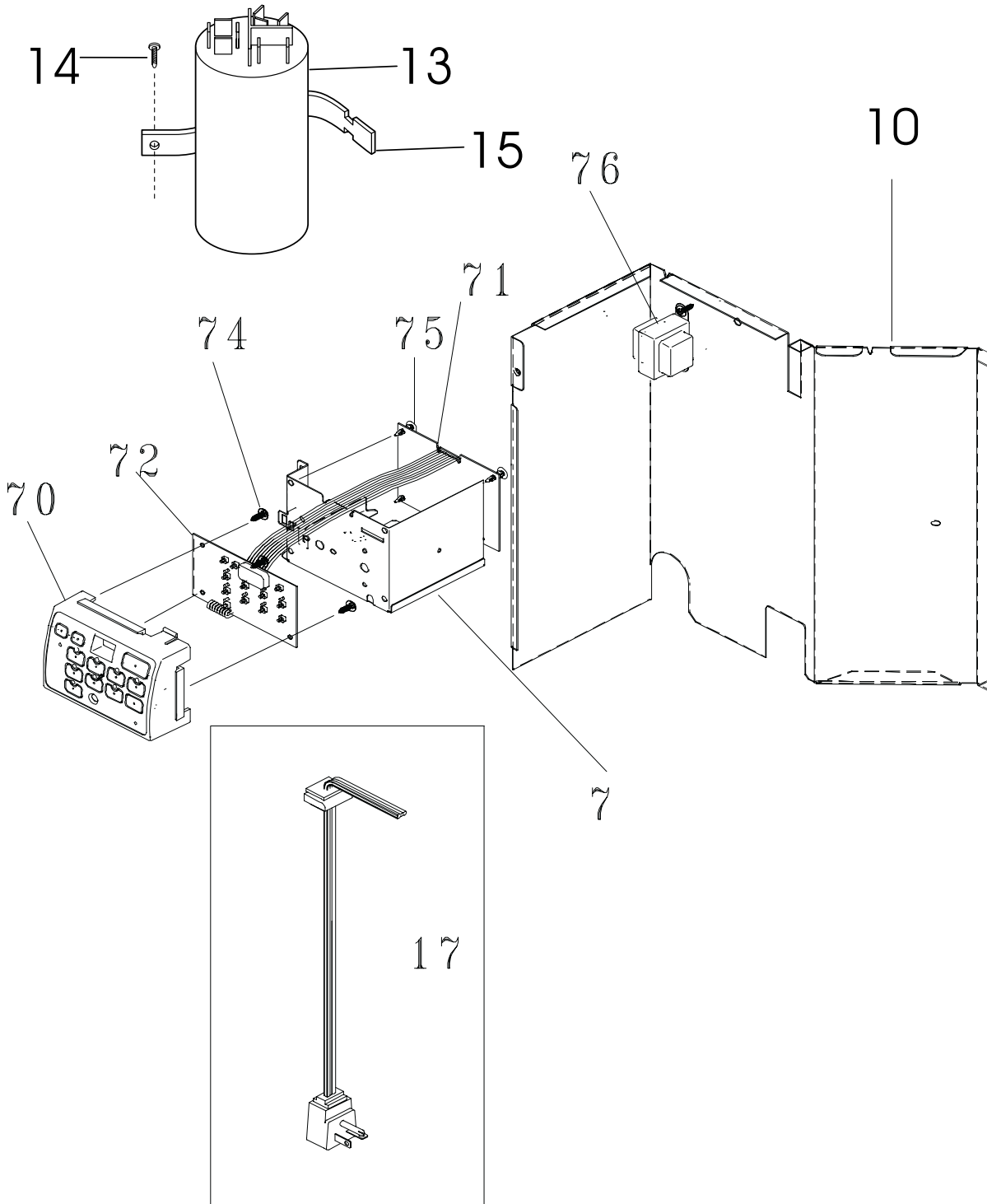
P40V2005

CABINET FRONT AND WRAPPER

---

<b>POS. NO</b>	<b>PART NO</b>	<b>DESCRIPTION</b>
1	309632704	Cabinet,sleeve ,top louvers
2	309632804	Grille,rear ,with rail
7	309631104	Link,vertical louver
8	309630804	Louver,horizontal
8*	309633305	Louver Assy,horizontal
9	309631004	Louver
12	309631404	Filter-air,molded plastic
17	309633205	Front-cabinet,complete assy
19	309341003	Overlay,Frigidaire
25	309321401	Door-vent,actuator
26	309330404	Handle-vent,gray
26A	309330202	Detent-vent
43	309630904	Panel,cabinet front
70	309342401	Enclosure,elec control mt
78	309350502	Remote Control,transmitter ,with batteries

CONTROLS



P40F2008

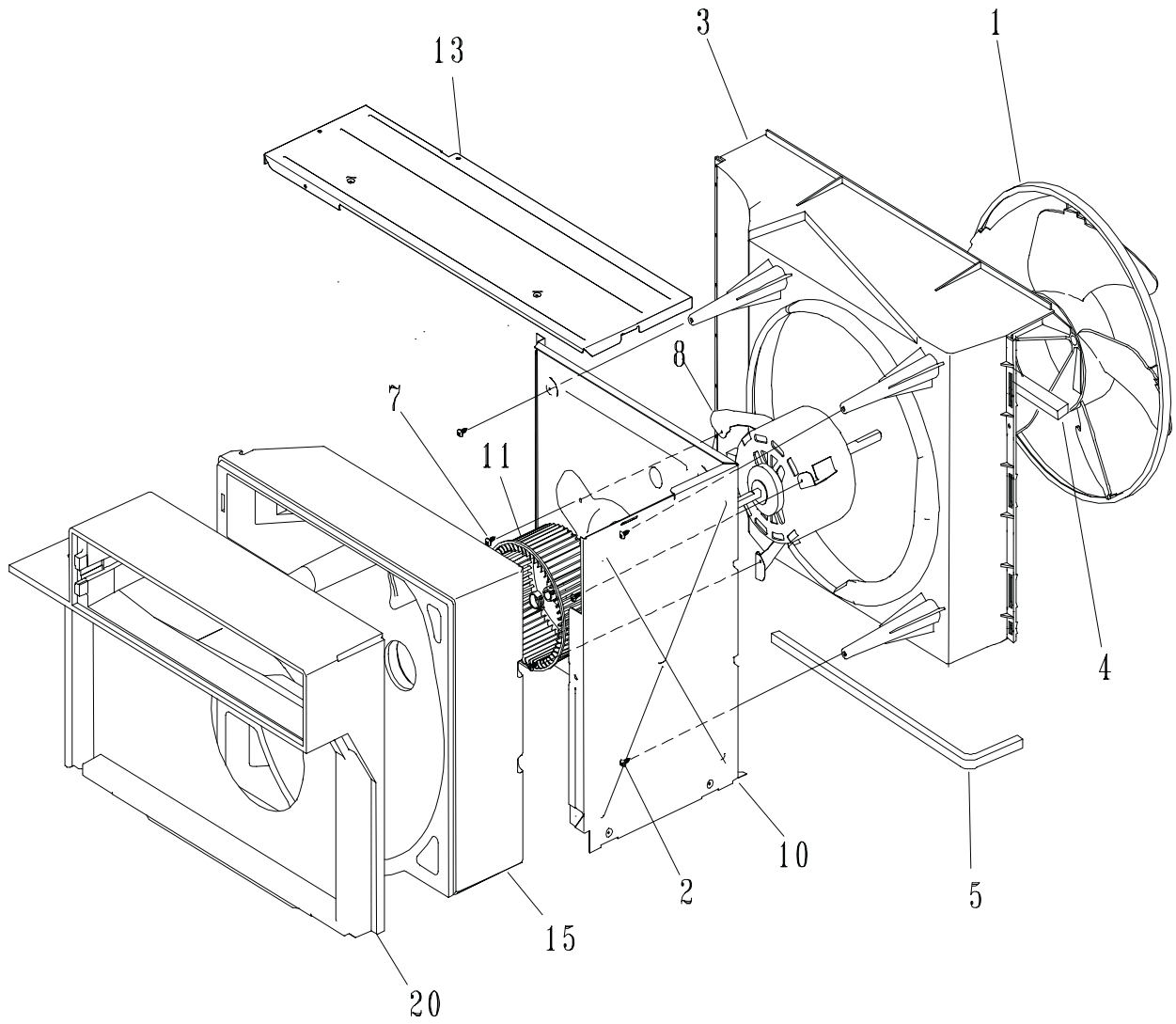
---

**CONTROLS**


---

<b>POS. NO</b>	<b>PART NO</b>	<b>DESCRIPTION</b>
7	309630403	Control Box
10	309623601	Bulkhead,control systeml
13 #	5303318963	Capacitor,370 V
14	5303015427	Screw,truss head ,8-18AB x 0.47
15	5303303077	Strap-capacitor
16 #	5304408752	Wiring Harness
17	309343111	Cord-electric power,type A ,14 AWG
70	309342401	Enclosure,elec control mt
71 #	309350401	PC Board,power,Sagem
72 #	309350403	Board-input,Sagem HD
72*	5304417643	Ribbon Protector
74	5303301590	Screw-bracket
75	5304413781	Support-pc board
76	309111601	Transformer,120/12 Volt

AIR HANDLING PARTS



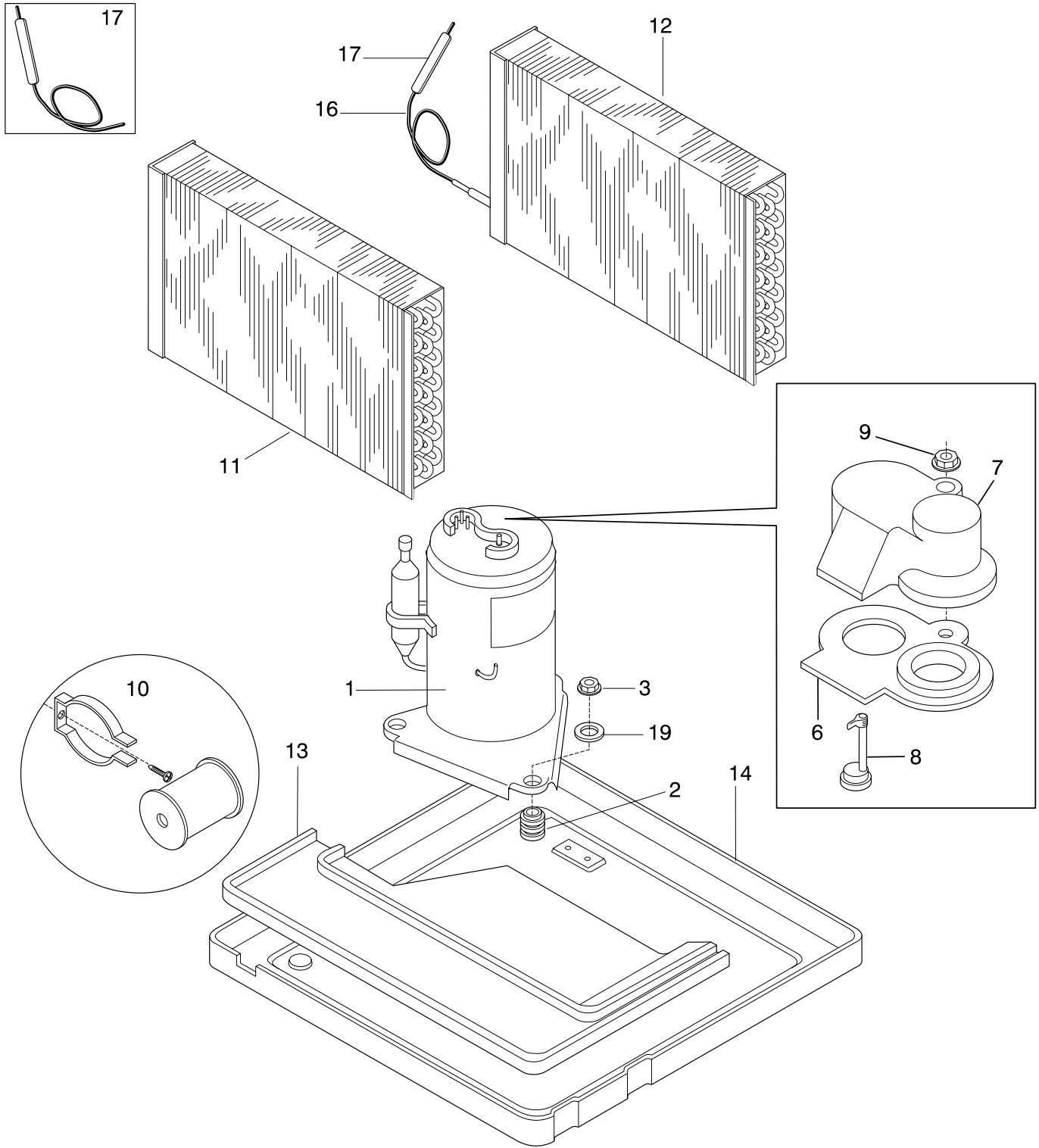
P40M2003

AIR HANDLING PARTS

---

POS. NO	PART NO	DESCRIPTION
1 #	5303311048	Fan Blade,with clamp
2	3202975	Screw,10-16 x 0.72 ,square drive
3	309623201	Shroud-condenser,one piece
5	5303015311	Seal,fan housing ,lower
7	3015312	Screw,8-18AB x 0.500
8 #	309630605	Motor-fan,Heshan
10	309623401	Bulkhead,air system
11	309633001	Blower Wheel,plastic ,with clamp
13	309630301	Cover-blower wheel,top
15	309630101	Housing-blower,evap scroll
20	309630201	Plate-blower housing,scroll plate

COMPRESSOR PARTS



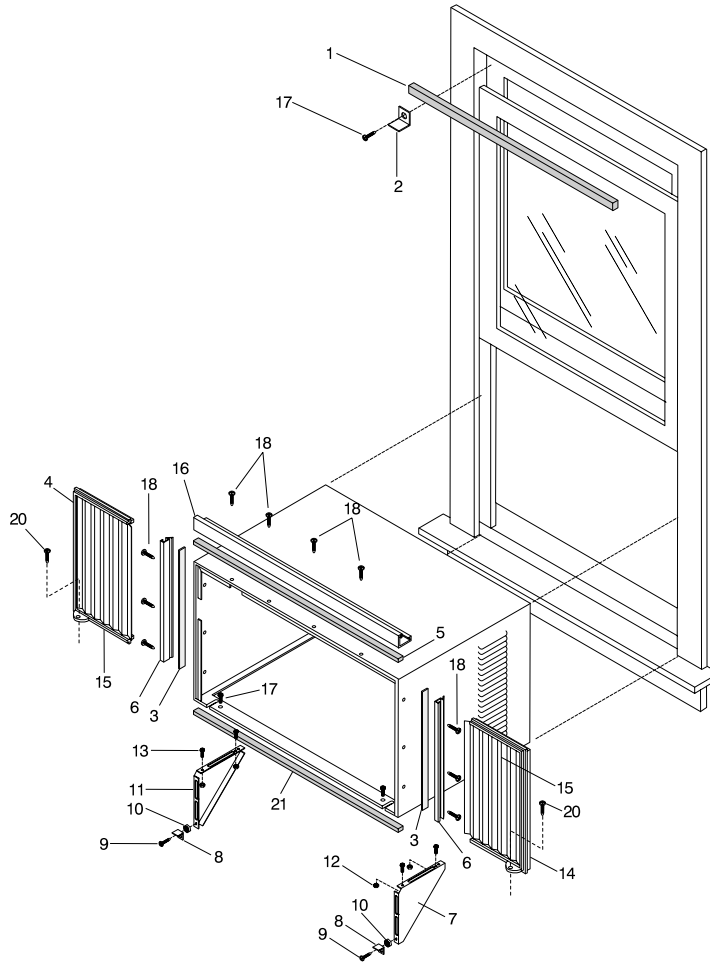
P40C0057



## COMPRESSOR PARTS

POS. NO	PART NO	DESCRIPTION
1 #	5303925103	Compressor,w/overload
2	5303283877	Grommet,compressor mtg ,(3)
3	5308006948	Nut,compressor mtg ,(3)
6	5303272298	Gasket-cover,terminal
7	3206230	Cover-terminal
8 #	5303016697	Overload Protector
9	5303211017	Nut-terminal cover
11 #	309634103	Evaporator
12 #	5303303600	Condenser
13	309623501	Tray-evaporator
14	309632907	Base-compressor
16	5303289577	Capillary Tube,40 inch long ,cut-to-length
17 #	5304417722	Process tube
19	5303002664	Washer,compressor mtg
19*	309112501	Washer,metallic

WINDOW MOUNTING PARTS



P40A0022

POS. NO	PART NO	DESCRIPTION
1	5304407729	Seal-window frame, stuffer
4	5304414928	Frame, LH
4*	309313303	Kit-window mounting, heavy duty
5	5304409250	Seal-top rail
6	5304414933	Retainer, accordian
7	5304414105	Bracket-support, RH
7*	309313204	Kit-mounting support
7*	5304409248	Hardware-mounting
11	5304414106	Bracket-support, LH
14	5304414929	Frame, RH
15	5304414930	Closure, accordian type ,window mount
16	5304414116	Rail, top
21	5303212504	Seal-sleeve/chassis, bottom
*	5304409249	Seal-hole, shipping screws

309341601

SUB.  
 1

