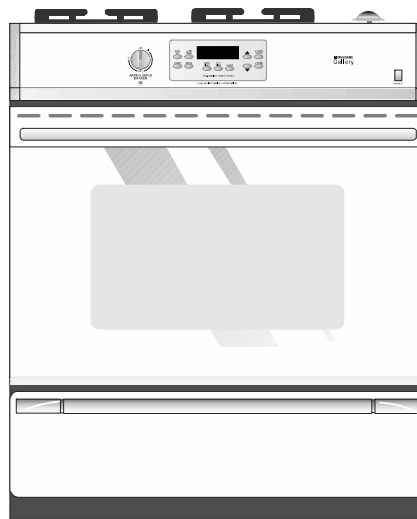
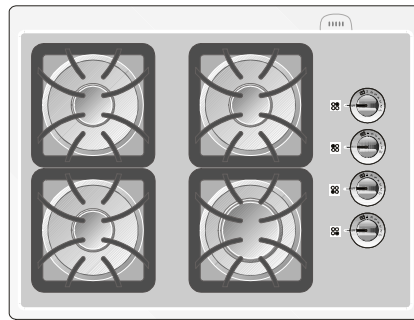


FACTORY PARTS CATALOG SLIDE-IN RANGE

FRIGIDAIRE



| PRODUCT NO. | FACTORY NO. | COLOR | MARKET |
|-------------|---------------|-------|--------|
| FCS388CESF | 37956393H6016 | WHITE | U.S.A. |
| FCS388CEBF | 37956393H6066 | BLACK | U.S.A. |

WIRING DIAGRAM # - 318045030
OWNER'S GUIDE # - 318200850
TIMER INSTRUCTION GUIDE # - 318130805
INSTALLATION INSTR. # - 318104600

 **FRIGIDAIRE**
HOME PRODUCTS

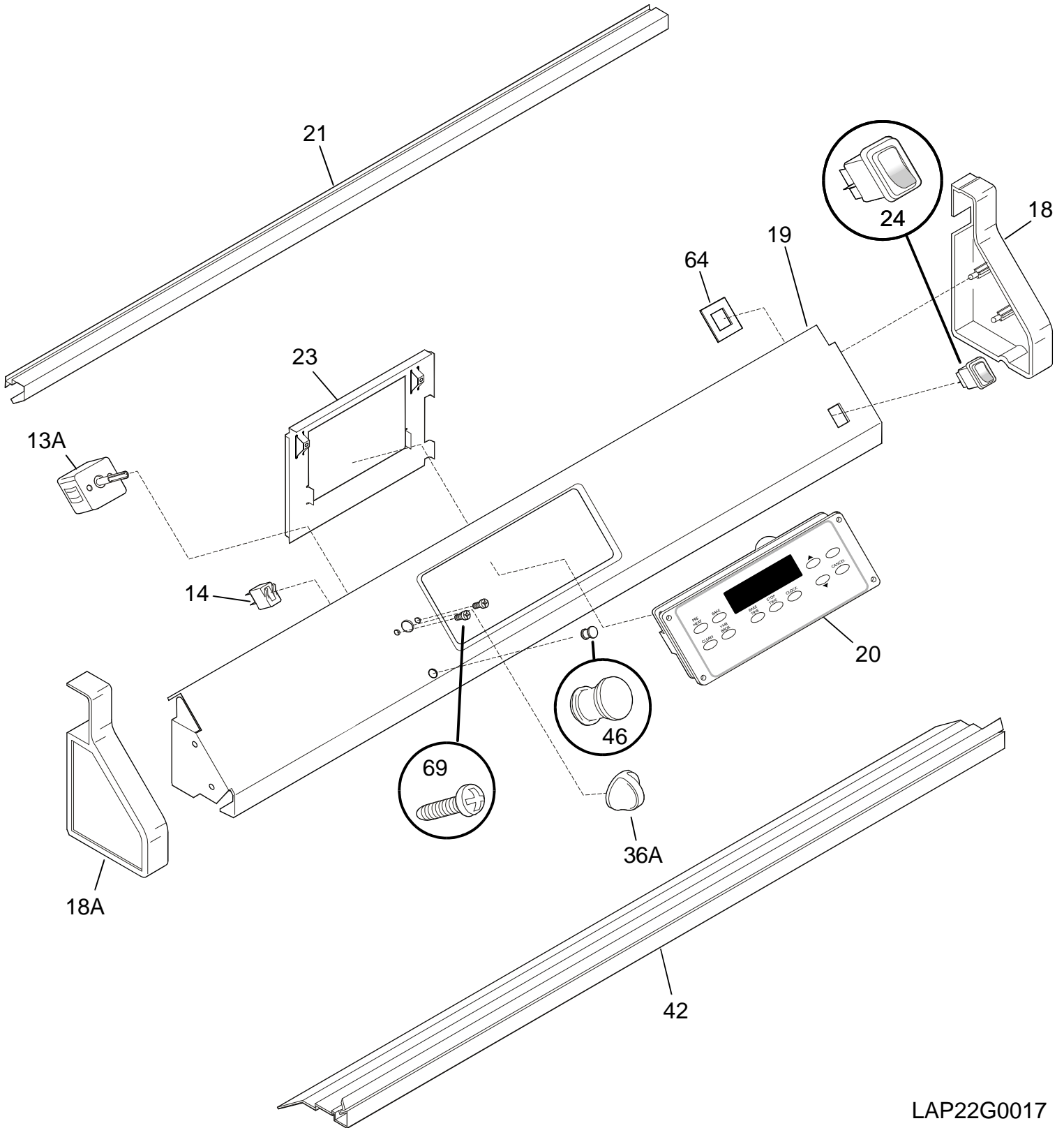
FRIGIDAIRE HOME PRODUCTS
7075 ORDAN DRIVE
MISSISSAUGA, ONTARIO
CANADA, L5T 1K6
TEL: (905) 565-9200

Publication No.
5995319794
990322
-EN/SERVICE
377

ELECTRIC - RANGE

**Model No.
FCS388CE**

©1999 White Consolidated Industries,
Inc.

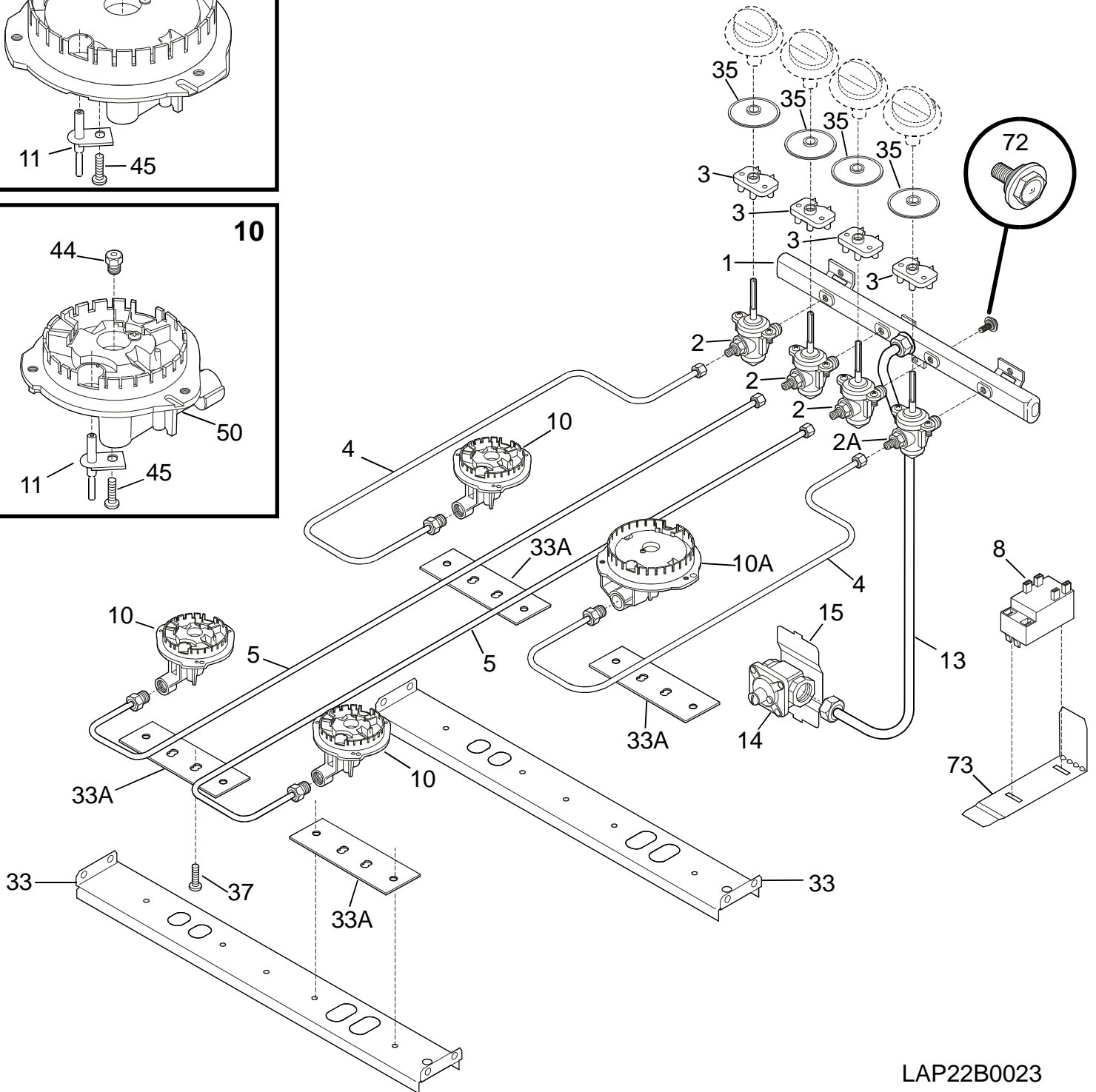
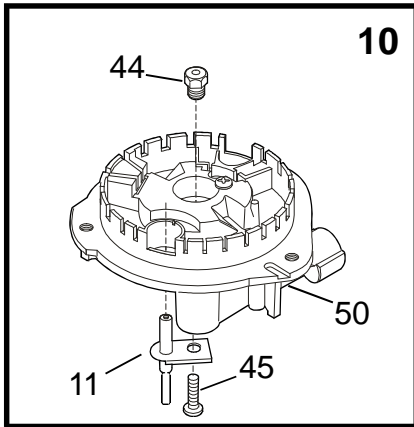
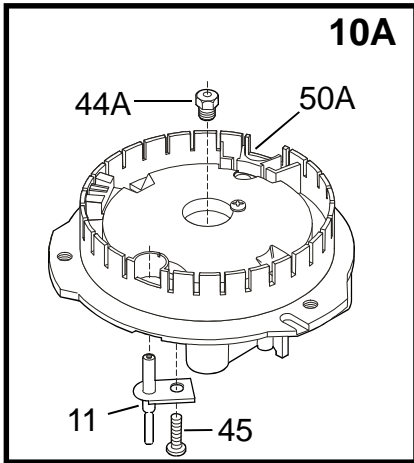


LAP22G0017

BACKGUARD

| |
|--------------------------|
| A= FCS388CE (FCS388CESF) |
| B= FCS388CE (FCS388CEBF) |

| POS. NO | PART NO | | DESCRIPTION |
|---------|------------|-----|------------------------|
| 13A | 316095500 | A B | Switch-warmer infinite |
| 14 | 5303051533 | A B | Light/Lamp |
| 18 | 5303304668 | A | End Cap white RH |
| 18 | 5303300160 | B | End Cap black RH |
| 18A | 5303304671 | A | End Cap white LH |
| 18A | 5303300161 | B | End Cap black LH |
| 19 | 318005539 | A | Panel-control |
| 19 | 318005541 | B | Panel-control |
| 20 # | 318012901 | A | Clock, Timer |
| 20# | 318012900 | B | Clock, Timer |
| 21 | 318027804 | A | Trim-backguard |
| 21 | 318027803 | B | Trim-backguard |
| 23 | 318015020 | A B | Bracket-clock mtg |
| 24 # | 316005607 | A | Switch-rocker white |
| 24# | 316005612 | B | Switch-rocker almond |
| 36A | 318165101 | A | Knob-warmer white |
| 36A | 318165103 | B | Knob-warmer grey |
| 42 | 318106904 | A | Trim-vent |
| 42 | 318106903 | B | Trim-vent |
| 46 | 5308006417 | A B | Lens-light, lamp |
| 64 | 318112200 | A B | Plate |
| 69 | 5303323134 | A B | Screw, 8-32 X 3/16 |
| * | 08016432 | A B | Screw, 8-18 X 3/8 |
| * | 5303323145 | A B | Nut |
| * | 5303311333 | A B | Screw, 8-32 X 3/8 |



LAP22B0023

BURNER

| |
|--------------------------|
| A= FCS388CE (FCS388CESF) |
| B= FCS388CE (FCS388CEBF) |

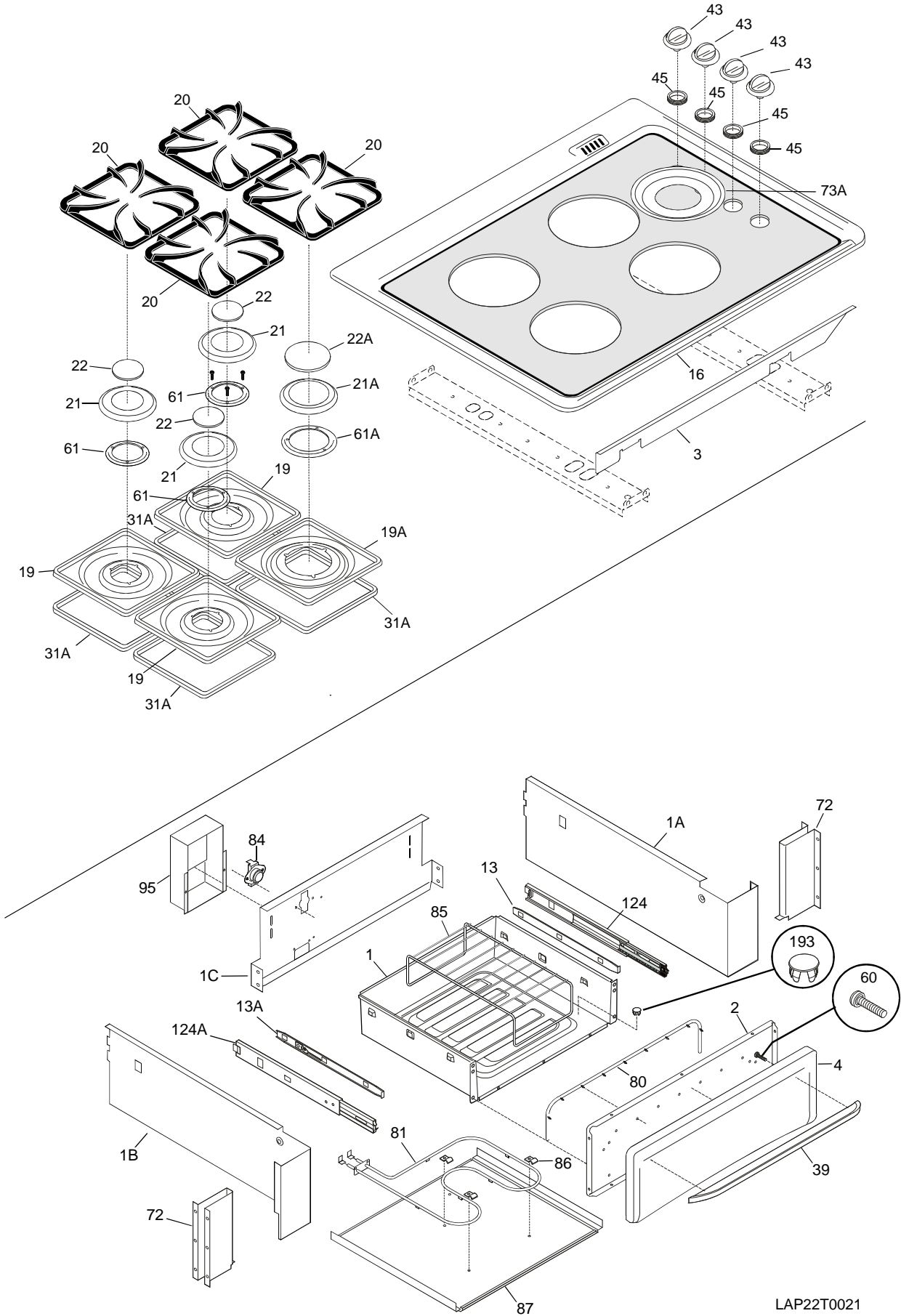
| POS. NO | PART NO | | DESCRIPTION |
|---------|------------|-----|--------------------------|
| 1 | 318177301 | A B | Manifold pipe |
| 2# | 5303935042 | A B | Valve-top burner |
| 2A# | 318087020 | A B | Valve-top burner |
| 3# | 316032002 | A B | Switch-ignitor (4) |
| 4# | 5303305456 | A B | Tube-burner |
| 5# | 5303305455 | A B | Tube-burner |
| 8# | 5303280394 | A B | Spark module |
| 10# | 318055001 | A B | Burner Assy |
| 10A# | 318055100 | A B | Burner Assy |
| 11 | 316011200 | A B | Ignitor-top burner |
| 13 | 318054503 | A B | Connector, manifold tube |
| 14# | 318122700 | A B | Regulator, pressure |
| 15 | 318122900 | A B | Bracket |
| 33 | 318162300 | A B | Bracket burner |
| 33A | 318072000 | A B | Bracket burner |
| 35 | 5303307978 | A B | Bushing insulation |
| 37 | 5303320671 | A B | Screw metric |
| 44 | 318088700 | A B | Orifice |
| 44A | 318088702 | A B | Orifice |
| 45 | 316011100 | A B | Screw ignitor |
| 50# | 316010700 | A B | Burner top |
| 50A# | 316077300 | A B | Burner top |
| 72 | 5303323141 | A B | Screw 1/4-20 X 5/16 |
| 73 | 318080100 | A B | Plate |
| * | 5303319611 | A B | Lp conversion kit |
| * | 316048200 | A B | Screw |

BODY

A= FCS388CE (FCS388CESF)

B= FCS388CE (FCS388CEBF)

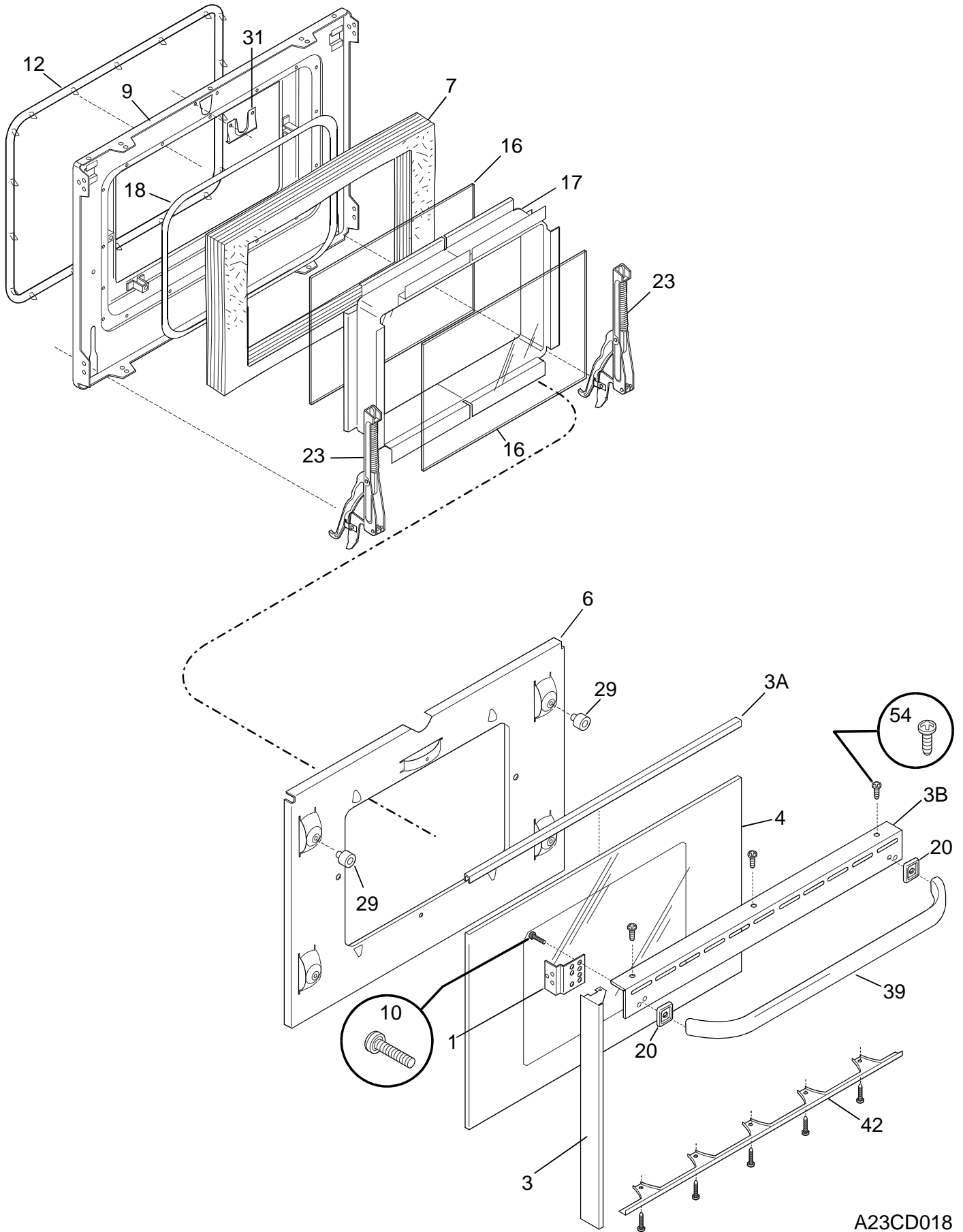
| POS. NO | PART NO | | DESCRIPTION |
|---------|------------|-----|------------------------|
| 1 | 318066400 | A B | Back-main |
| 1A | 5303311161 | A B | Panel-back |
| 2A | 318108600 | A B | Shield-oven top |
| 3 | 5303300143 | A B | Panel-bodyside |
| 3A | 318160004 | A B | Panel-bodyside RH |
| 3B | 318160005 | A B | Panel-bodyside LH |
| 4 | 318073900 | A B | Panel-subtop |
| 5 | 318175500 | A B | Screw-leveling |
| 6 | 5303310522 | A B | Rack-oven |
| 6A | 5303311206 | A B | Rack, broiler pan |
| 9 | 5303317977 | A B | Pan-broiler |
| 10 | 5303317976 | A B | Insert-broiler pan |
| 12 # | 318089910 | A B | Switch-light |
| 14 | 5308011085 | A B | Socket-light/lamp |
| 15 | 3201908 | A B | Lamp-oven light |
| 16 | 3201911 | A B | Glass-oven light lens |
| 17 | 5304400195 | A B | Retainer-lens |
| 25 | 318179103 | A B | Shield-heat |
| 37 # | 316111203 | A B | Probe-oven temp |
| 41 | 5303310526 | A B | Cover-hinge cutout |
| 54 | 5303310514 | A B | Housing-oven light |
| 56 | 318002602 | A | Trim-oven front white |
| 56 | 318002601 | B | Trim-oven front black |
| 58A | 5303310539 | A B | Insulation |
| 58B | 5303310538 | A B | Insulation oven back |
| 59 | 318072519 | A B | Tube-oven vent |
| 59A | 318072520 | A B | Tube-oven vent |
| 62 # | 5303310518 | A B | Terminal Block |
| 63 | 5303310517 | A B | Plate-ground strap |
| 66 # | 5303310513 | A B | Element-broil |
| 67 # | 5303310512 | A B | Element-bake |
| 68 | 5304403015 | A B | Support-element |
| 70 | 5303300142 | A B | Shield-insulation |
| 71 | 5303310515 | A B | Cover-wiring |
| 76 | 318124100 | A B | Front-oven |
| 80 | 5303320846 | A B | Plate oven |
| 81 | 5303301261 | A B | Spring-oven |
| 83 | 318089609 | A B | Liner-oven |
| 86 | 5303310524 | A B | Channel-hinge |
| 87 | 318111800 | A B | Plate-mounting |
| 88 | 5303311160 | A B | Rod-latch |
| 89 # | 5304404899 | A B | Motor-latch |
| 89 * | 318120702 | A B | Switch latch |
| 102 | 5303311142 | A B | Support-oven front |
| 107 | 318119600 | A B | Cover-fan |
| 108# | 318073001 | A B | Motor-fan |
| 109 | 5303311203 | A B | Fan blade |
| 111 | 5303311205 | A B | Nut-fan retainer |
| 114 | 3051827 | A B | Plate-filler |
| 125# | 5303311202 | A B | Motor-convection |
| 127 | 5303310542 | A B | Adapter assy |
| 128 | 5303311163 | A B | Bushing |
| 129 | 5303311164 | A B | Spring |
| 141 # | 5303284446 | A B | Switch |
| 142 | 318123901 | A B | Air Deflector |
| 170 | 3203576 | A B | Anti-tip bracket right |
| 170A | 3203575 | A B | Anti-tip bracket left |
| 177 | 5303324040 | A B | Gasket-vent |
| 191 | 5303304030 | A B | Bracket |
| 217 | 316042300 | A B | Warning plate |
| 219# | 318003400 | A B | Thermostat safety |
| 222 | 318080000 | A B | Covering plate |
| 223 | 318038400 | A B | Cover tube |
| 263 | 5303322885 | A B | Spacer |
| * | 5303211311 | A B | Screw #8 X 1/2 |
| * | 5303307980 | A B | Screw, 8-32 X 7/16 |



LAP22T0021

A= FCS388CE (FCS388CESF)
B= FCS388CE (FCS388CEBF)

| POS.NO | PART NO | | DESCRIPTION |
|--------|------------|-----|------------------------------------|
| 1 | 318142500 | A B | Drawer-warmer |
| 1A | 318143307 | A B | Deflector-warmer side |
| 1B | 318143306 | A B | Deflector-warmer side |
| 1C | 318143201 | A B | Deflector-warmer rear |
| 2 | 318108013 | A B | Panel-drawer |
| 3 | 318090700 | A B | Bracket-maintop |
| 4 | 5303300149 | A | Panel-drawer white |
| 4 | 5303300151 | B | Panel-drawer black |
| 13 | 316094900 | A B | Rail-drawer RH outer |
| 13A | 316094901 | A B | Rail-drawer LH outer |
| 16 | 318079212 | A | Main Top glass white |
| 16 | 318079213 | B | Main Top glass black |
| 19 | 318066903 | A | Pan, burner gray (3) |
| 19 | 318066901 | B | Pan, burner black (3) |
| 19A | 318066913 | A | Pan, burner large gray |
| 19A | 318066911 | B | Pan, burner large black |
| 20 | 318120106 | A | Grate (4) |
| 20 | 318120105 | B | Grate (4) |
| 21 | 318050500 | A | Trim ring gray (3) |
| 21 | 5303209009 | B | Trim ring black (3) |
| 21A | 318050600 | A | Trim ring gray (3) |
| 21A | 316011304 | B | Trim ring large black |
| 22 | 316122101 | A | Cap-burner small |
| 22 | 316122100 | B | Cap-burner small |
| 22A | 316098509 | A | Cap-burner large |
| 22A | 316098505 | B | Cap-burner large |
| 31A | 318053900 | A B | Gasket pan |
| 39 | 316026103 | A | Handle-drawer white |
| 39 | 5303300154 | B | Handle-drawer black |
| 43 | 318016500 | A | Knob, top valve (4) |
| 43 | 318016501 | B | Knob, top valve (4) |
| 45 | 318146200 | A B | Bushing, top burner |
| 60 | 5303300155 | A B | Screw handle |
| 61 | 318083900 | A B | Trim ring chrome (3) |
| 61A | 318083901 | A B | Trim ring large chrome |
| 72 | 318113402 | A B | Bracket-slide (2)/ Support latéral |
| 73A | 318057101 | A B | Deflector large |
| 80 | 318052700 | A B | Seal-door, warmer drawer |
| 81# | 316093100 | A B | Element warmer drawer |
| 84# | 318005101 | A B | Thermostat-blower |
| 85 | 316093600 | A B | Rack, warmer drawer |
| 86 | 316095800 | A B | Clip hold down |
| 87 | 318121501 | A B | Base-warmer |
| 95 | 318143701 | A B | Cover-wire/ Couvercle |
| 124 | 316096500 | A B | Channel-drawer RH, inner |
| 124A | 316096501 | A B | Channel-drawer LH, inner |
| 193 | 5304400796 | A B | Plug |
| * | 5303211311 | A B | Screw, #8 X 1/2 |
| * | 5304400795 | A B | Bushing, snap-in |



A23CD018

A= FCS388CE (FCS388CESF)
B= FCS388CE (FCS388CEBF)

| POS. NO | PART NO | | DESCRIPTION |
|---------|------------|-----|-------------------------|
| 1 | 318043100 | A B | Bracket-trim |
| 3 | 318049206 | A | Trim-oven door white |
| 3 | 318049205 | B | Trim-oven door black |
| 3A | 318028900 | A B | Trim-oven door |
| 3B | 318049020 | A | Trim-oven door white |
| 3B | 318049019 | B | Trim-oven door black |
| 4 | 318041102 | A | Glass-oven door white |
| 4 | 318041105 | B | Glass-oven door black |
| 6 | 318056802 | A B | Shield-wool |
| 7 | 318106001 | A B | Insulation-door |
| 9 | 318048802 | A B | Liner-oven door |
| 10 | 5303324305 | A B | Screw 10-24 X 5/8 |
| 12 | 318053103 | A B | Seal-oven door |
| 16 | 318041603 | A B | Glass-oven door |
| 17 | 318042102 | A B | Spacer-glass |
| 18 | 318053001 | A B | Seal-window |
| 20 | 318014301 | A | Spacer-handle white |
| 20 | 318014300 | B | Spacer-handle black |
| 23 | 5303311215 | A B | Hinge-oven door assy. |
| 23* | 3201899 | A B | Washer |
| 29 | 5303310535 | A B | Bumper base |
| 31 | 5303310536 | A B | Latch-door |
| 39 | 316091119 | A | Handle-door white |
| 39 | 316091121 | B | Handle-door black |
| 42 | 5303311194 | A | Trim-oven door white |
| 42 | 5303311200 | B | Trim-oven door black |
| 54 | 5303317175 | A | Screw 8-18 X 1/2 white |
| 54 | 5303308456 | B | Screw, 8-18 X 1/2 black |
| * | 08016432 | A B | Screw, 8-18 X 3/8 |
| * | 5303211311 | A B | Screw, #8 X 1/2 |
| * | 5303307980 | A B | Screw, 8-32 X 7/16 |

