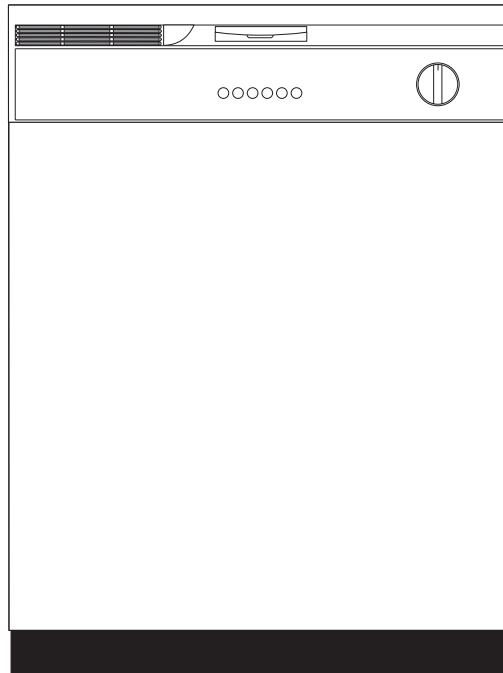


FACTORY PARTS CATALOG DISHWASHER

Frigidaire

 **Electrolux**



PRODUCT NO.	BASE MODEL NO.	SERIES	COLOR
FDB641RAB2	FDB641RA	Built-in 24"	black
FDB641RAS2	FDB641RA	Built-in 24"	white
MARKET			
North America			

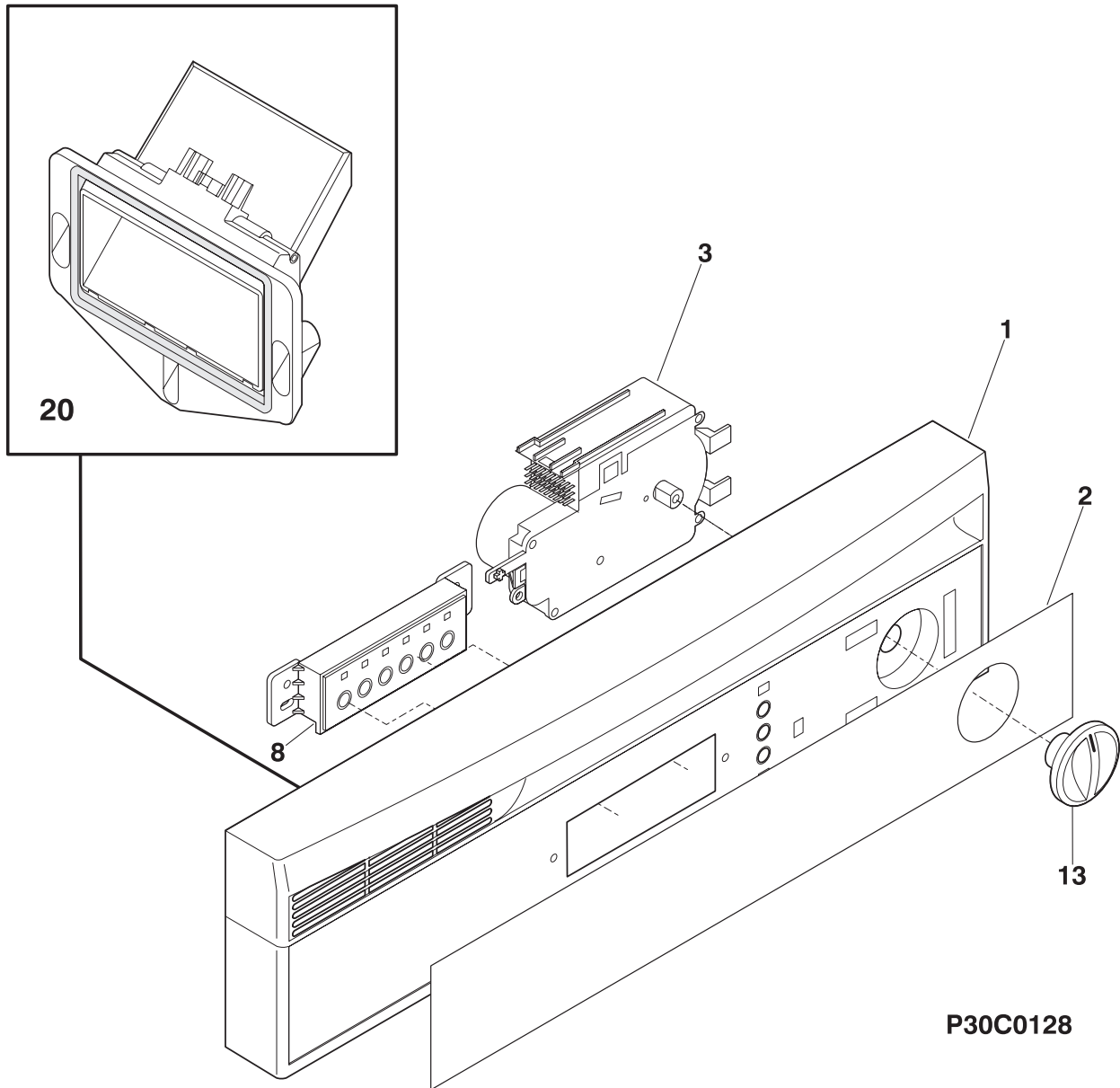
SERVICE DATA SHEET # - 154442401
 OWNER'S GUIDE # - 154428001
 INSTALLATION INSTRUCTIONS # - 154427401

**24" Built-In
DISHWASHER**

**Model No.
FDB641RA**

Publication No.
 5995379020
 021001
 -EN/SERVICE /ECL
 821

CONTROL PANEL



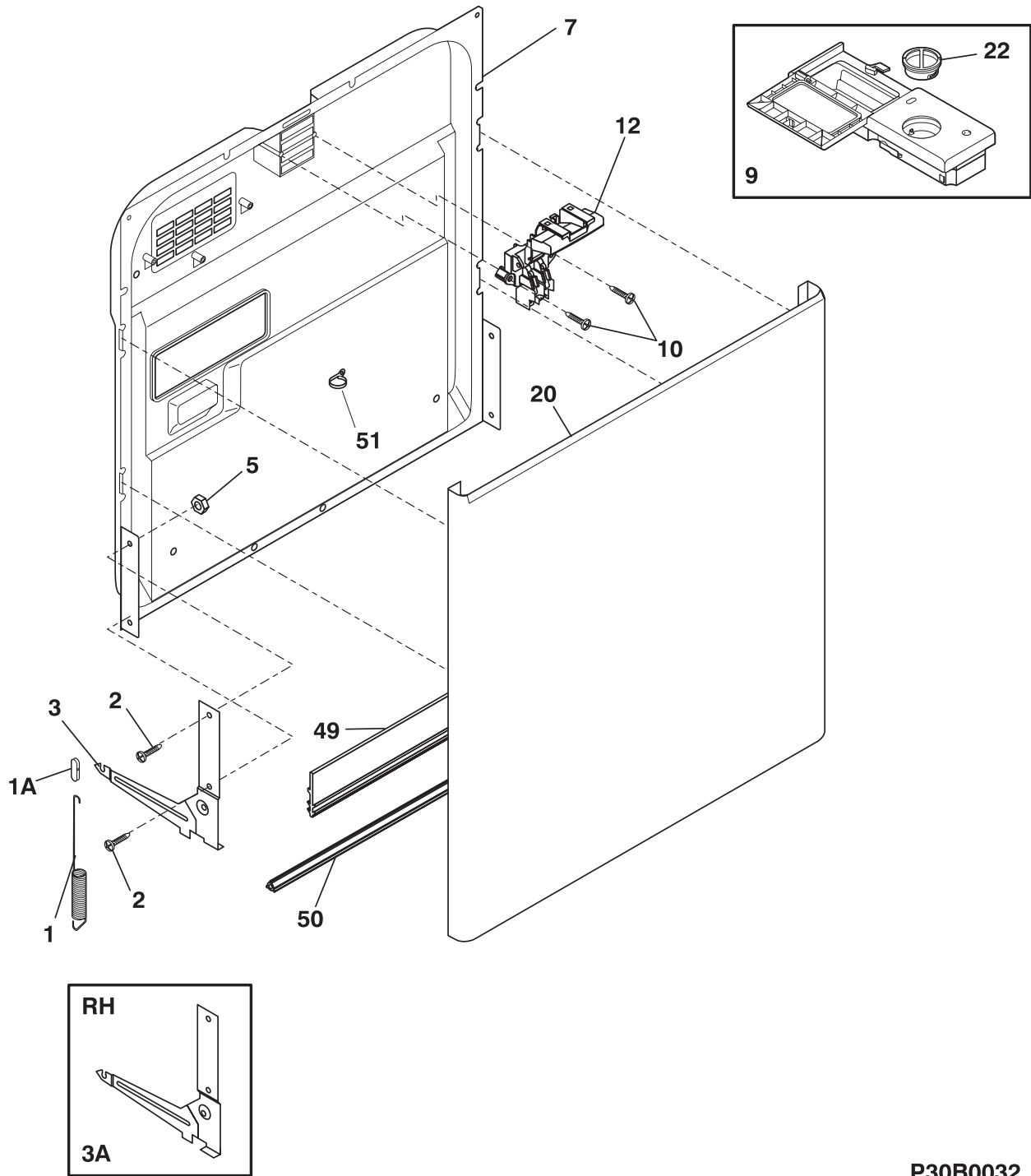
P30C0128

CONTROL PANEL

A = FDB641RA (FDB641RAS2)
B = FDB641RA (FDB641RAB2)

POS. NO	PART NO		DESCRIPTION
1	154368201	A -	Panel,control ,white
1	154368203	- B	Panel,control ,black
2	154403401	A -	Insert,control panel ,white
2	154403403	- B	Insert,control panel ,black
3 #	154413101	A B	Timer
3*	154131203	A B	Shield,timer
3*	154095701	A B	Screw,thread rolling ,(2) ,timer
8 #	154373701	A B	Switch,selector ,6 button
8*	154248601	A B	Shield,switch
8*	5303318719	A B	Screw,mtg.
13	154239504	A -	Knob,timer ,white
13	154239509	- B	Knob,timer ,black
20	154433001	A B	Vent assy,static dry
20*	154436201	A B	Screw,dry duct ,(3)
* #	154438701	A B	Harness,wiring
*	154399012	A B	Label,energy guide

DOOR

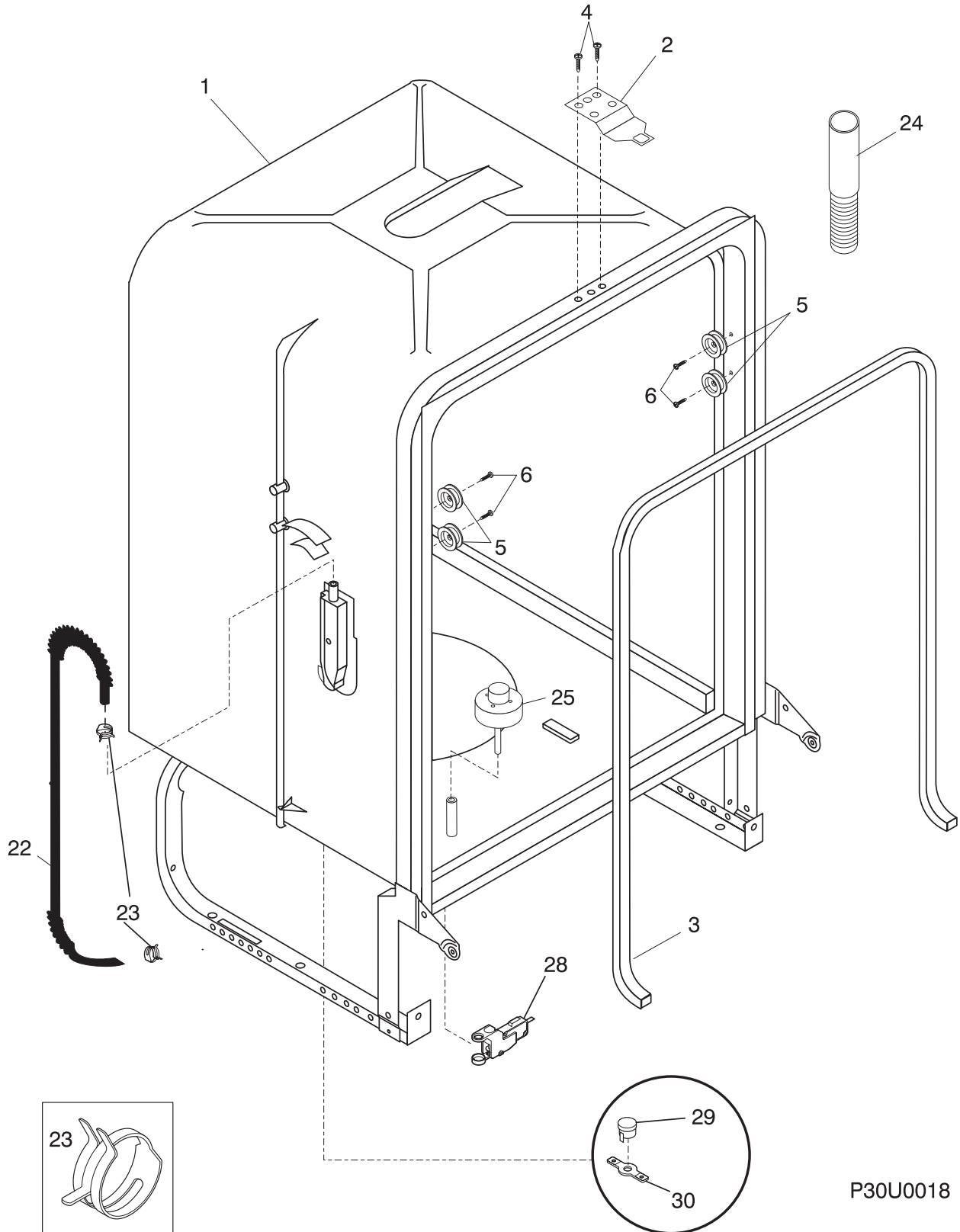


P30B0032

DOOR

A = FDB641RA (FDB641RAS2)
B = FDB641RA (FDB641RAB2)

POS. NO	PART NO		DESCRIPTION
1	154413301	A B	Spring,door ,(2)
1A	154325201	A B	Linkage,door spring ,(2)
2	154093301	A B	Screw,arm assy ,(4)
3	154325304	A B	Arm Assy,LH
3A	154325303	A B	Arm Assy,RH
*	154400601	A B	Pin,arm assy
5	154079601	A B	Nut,arm assy ,and handle mtg.
7	154299004	A B	Door,inner assy
9	154230103	A B	Dispenser,det/rinse aid ,includes #22
9*	154294701	A B	Screw,#7 plas .375 ,(6) ,disp. assy.
10	154103702	A B	Screw,latch mtg ,(2)
12 #	154361201	A -	Latch assy,white
12 #	154361203	- B	Latch assy,black
20	154359105	A -	Door,white
20	154359107	- B	Door,black
20*	5304428306	A B	Screw,door mtg. ,(2)
22	154388801	A B	Cap,Rinse aid
49	154297603	A B	Gasket,door ,bottom
50	154211401	A B	Support,door hinge
51	154320301	A B	Clamp,drip loop ,wire
* #	154227808	A B	Thermostat,temp boost
*	154200601	A B	Screw,#10-16 x 3/8



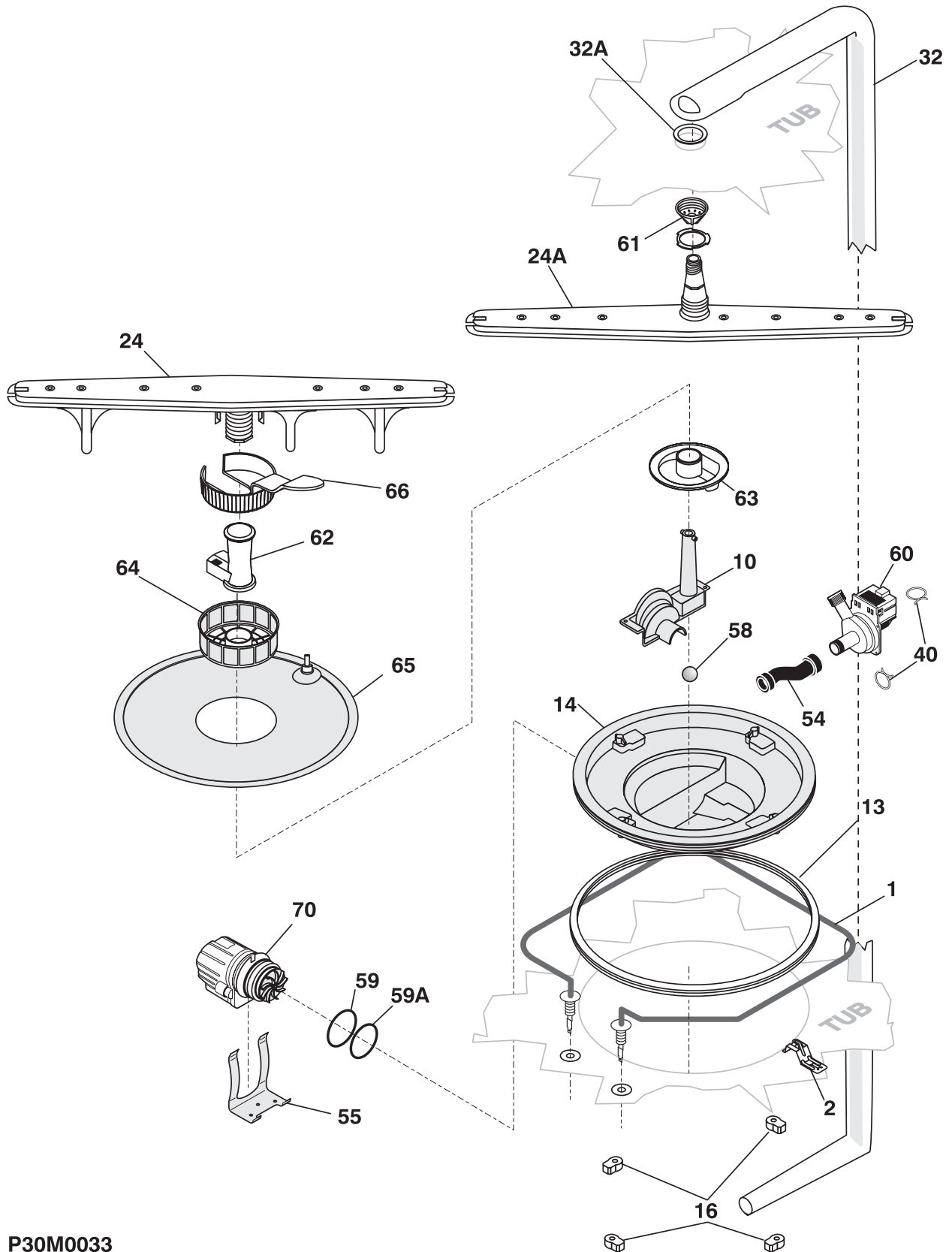
P30U0018

TUB

A = FDB641RA (FDB641RAS2)
B = FDB641RA (FDB641RAB2)

POS. NO	PART NO		DESCRIPTION
1 #	154209301	A B	Tub assy,w/frame parts
2	154429101	A B	Strike,door
3 #	154211801	A B	Gasket,tub
4	154200602	A B	Screw,10-16 x 3/8 ,hex
5	154333902	A B	Roller,tub
6	5303943103	A B	Screw,w/washer ,(8)
22	154239801	A B	Tubing,water inlet
23	5303318539	A B	Clamp,tubing ,(2)
24 #	154411003	A B	Hose,drain
25 #	154209701	A B	Float
28	154408701	A B	Switch assy,float
29 #	154290204	A B	Thermostat,re-settable
30	154241101	A B	Retainer,thermostat
30*	154297701	A B	Screw,retainer-thermo
*	154238304	A B	Insulation,tub
*	154041001	A B	Screw,plask #1 ,10-10 x 9/16
*	5300807270	A B	Screw,(2) ,countertop mtg.

MOTOR & PUMP



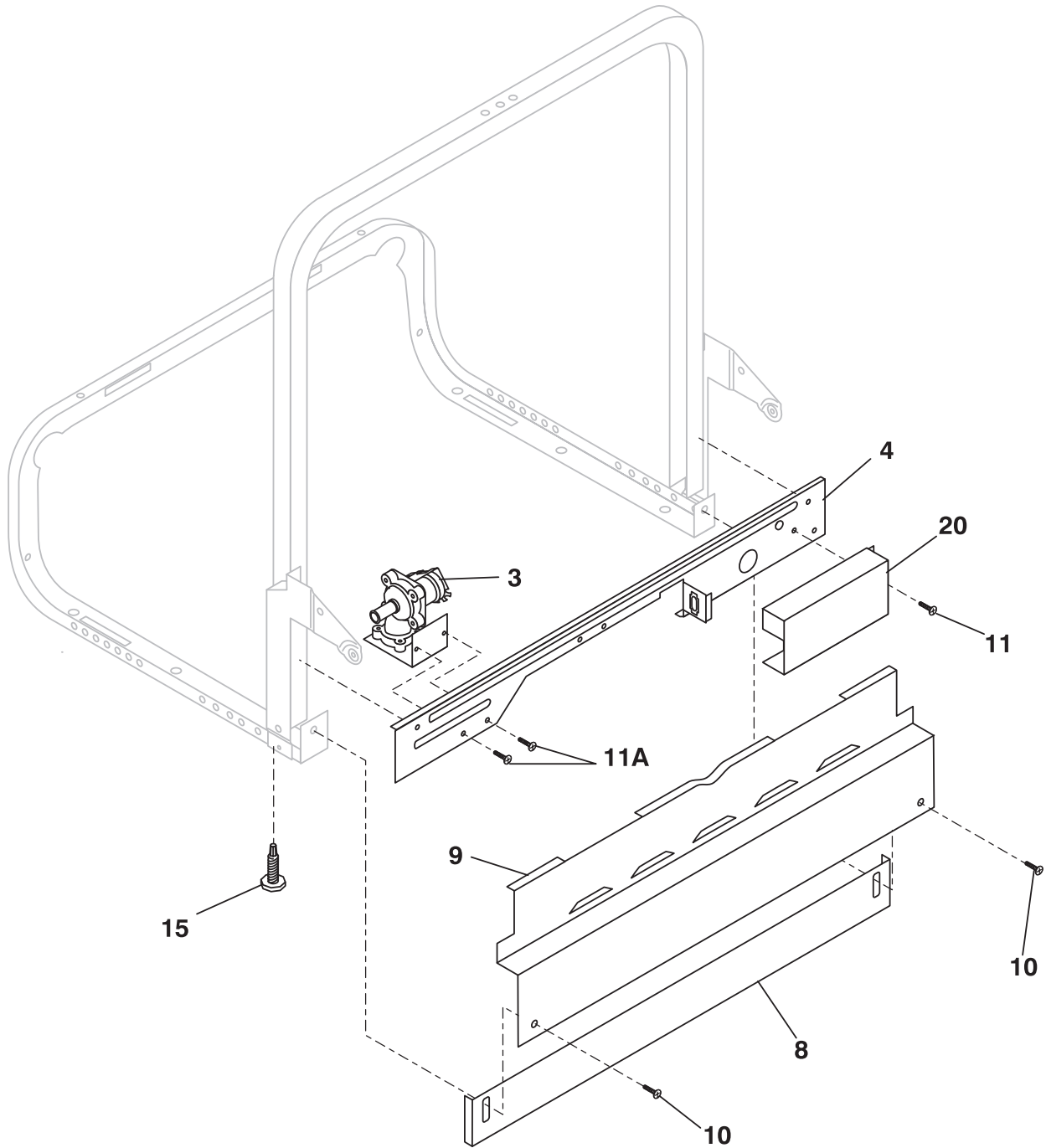
P30M0033

MOTOR & PUMP

A = FDB641RA (FDB641RAS2)
B = FDB641RA (FDB641RAB2)

POS. NO	PART NO		DESCRIPTION
1 #	154247601	A B	Heater
1*	154106201	A B	Nut,heater ,(2)
1*	154289801	A B	Shield,heater terminal
2	154359701	A B	Bracket,heater ,(2)
10	154245501	A B	Cover,volute
13	154246801	A B	Gasket,sump
14	154365902	A B	Housing,sump
16	154246502	A B	Retainer,sump
24	154414101	A B	Spray arm,lower ,w/heat shield
24A	154313601	A B	Spray arm,center
24A*	154252001	A B	Nut,spray arm ,center
32	154406601	A B	Tube,delivery
32A	154406401	A B	Gasket,delivery tube
40	154348401	A B	Clamp,red ,pump
40	154348501	A B	Clamp,silver ,pump
40*	154106801	A B	Clamp,hose ,(2)
54	154234401	A B	Hose,connector
55	154362301	A B	Bracket,motor ,askoll
55*	5303316032	A B	Screw,truss ss ,8 .625
58	154246402	A B	Check ball
59	154246901	A B	O-ring,rear
59A	154247001	A B	O-ring,front
60	154407401	A B	Drain Pump Assy
60*	154426201	A B	Bracket,motor ,drain
61	154406701	A B	Nozzle,2nd level ,spray arm
62	154294101	A B	Support,spray arm ,lower
63	154252201	A B	Base,soil director
64	154252301	A B	Filter,soil director
65	154252401	A B	Filter,polypro
66	154252701	A B	Trap,glass
70 #	154395403	A B	Motor assembly,circulation ,w/o o'rings
*	154380601	A B	Clamp,hose ,(1)
*	154200601	A B	Screw,#10-16 x 3/8

FRAME



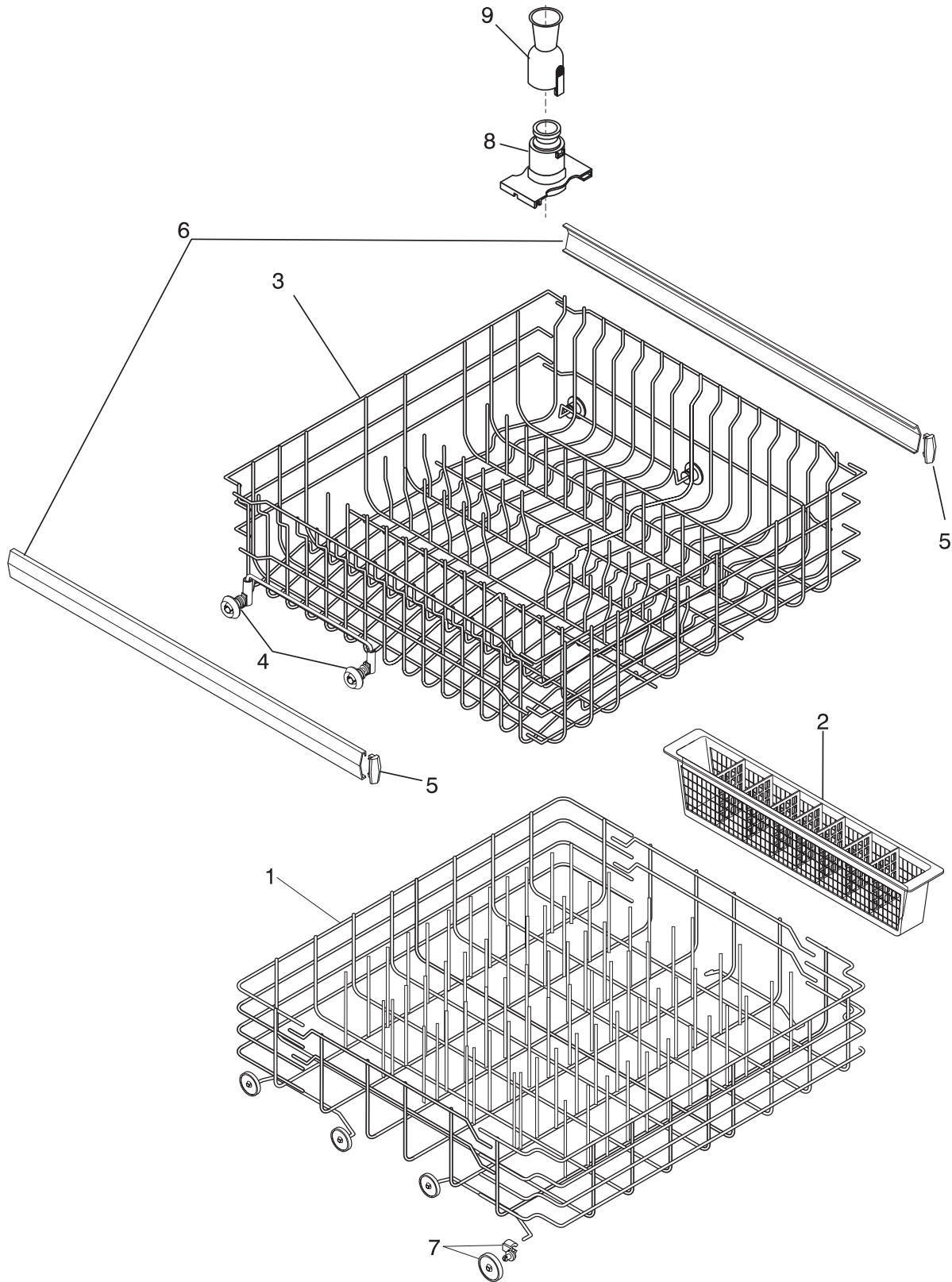
P30F0022

FRAME

A = FDB641RA (FDB641RAS2)
B = FDB641RA (FDB641RAB2)

POS. NO	PART NO		DESCRIPTION
3 #	154373301	A B	Valve,water
4	154208701	A B	Brace,front frame
8	154322901	A -	Toeplate,adjustable ,white
8	154322903	- B	Toeplate,adjustable ,black
9	154397201	A -	Kickplate Assy,white ,w/foam
9	154397203	- B	Kickplate Assy,black ,w/foam
10	154371301	A -	Screw,phillips head ,white
10	5300808658	- B	Screw,#8A x .375" ,black
11	154409401	A B	Screw,#8-18 x .375
11A	154200601	A B	Screw,#10-16 x 3/8
15	154419301	A B	Screw,leveling
20	154209601	A B	Cover,junction box
*	154041001	A B	Screw,plask #1 ,10-10 x 9/16
*	154200602	A B	Screw,10-16 x 3/8 ,hex

RACKS



P30R0024

RACKS

A = FDB641RA (FDB641RAS2)
B = FDB641RA (FDB641RAB2)

POS. NO	PART NO		DESCRIPTION
1	154319604	A B	Rack assy,lower
2	5300808994	A B	Basket,silverware
3	154319506	A B	Rack assy,upper
4	5304407064	A B	Wheel & bushing assy,upper rack
5	5300809927	A B	Cap,slide ,(4)
6	154232701	A B	Slide,rack ,(2)
7	154174501	A B	Wheel & bracket assy,lower rack
8	154304001	A B	Base,funnel
9	154251801	A B	Funnel