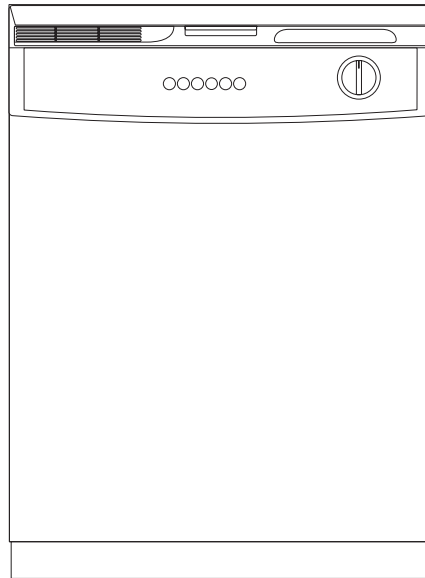


FACTORY PARTS CATALOG DISHWASHER

Frigidaire

 **Electrolux**



PRODUCT NO.	BASE MODEL NO.	SERIES	COLOR
FDB750RCB0	FDB750RC	Built-in 24"	black
FDB750RCC0	FDB750RC	Built-in 24"	stainless
FDB750RCQ0	FDB750RC	Built-in 24"	bisque
FDB750RCS0	FDB750RC	Built-in 24"	white
MARKET			
North America			

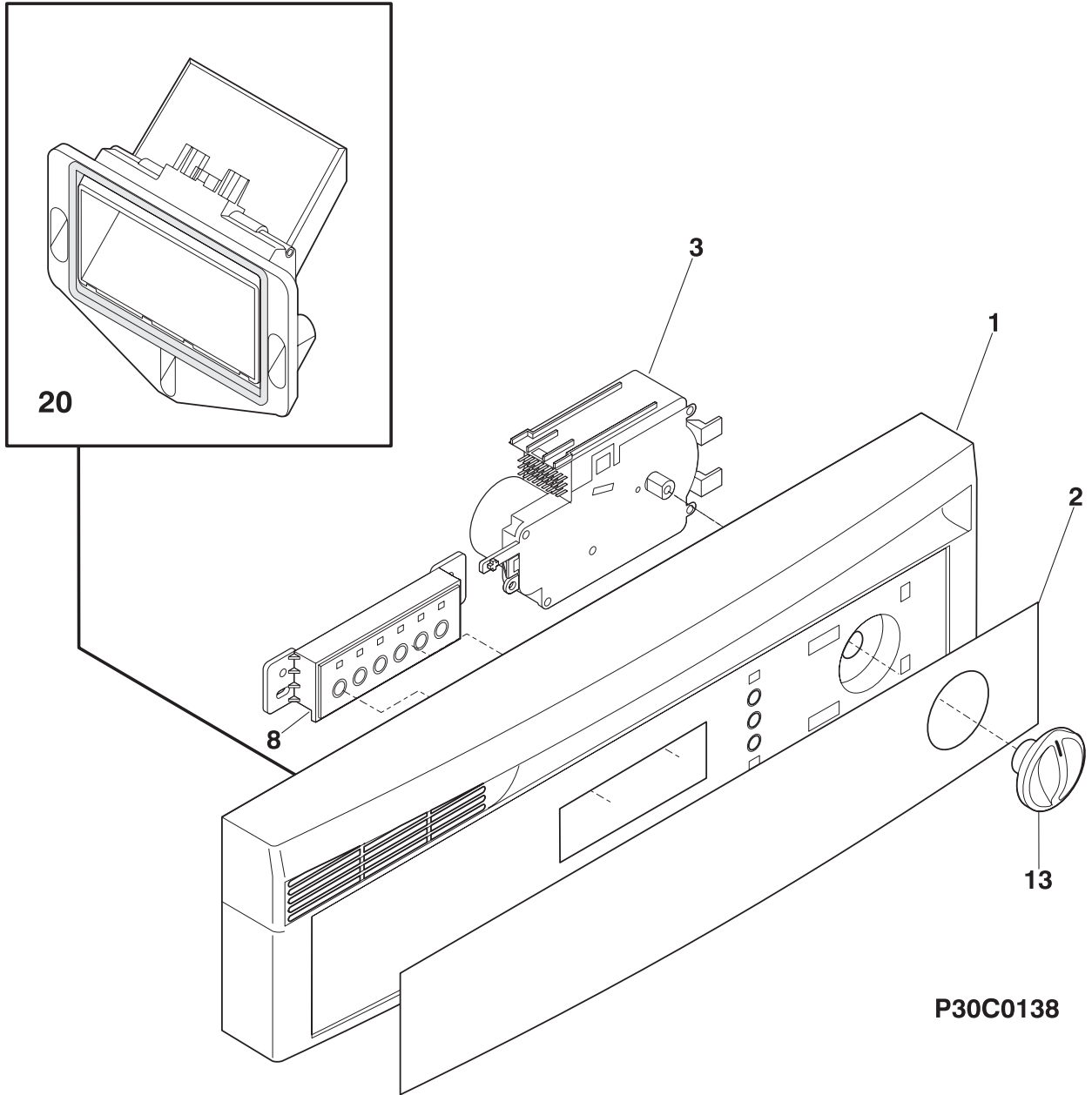
SERVICE DATA SHEET # - 154457601
 OWNER'S GUIDE # - 154457201
 INSTALLATION INSTRUCTIONS # - 154427301

**24" Built-In
DISHWASHER**

**Model No.
FDB750RC**

Publication No.
 5995386694
 030227
 -EN/SERVICE /ECL
 821

CONTROL PANEL



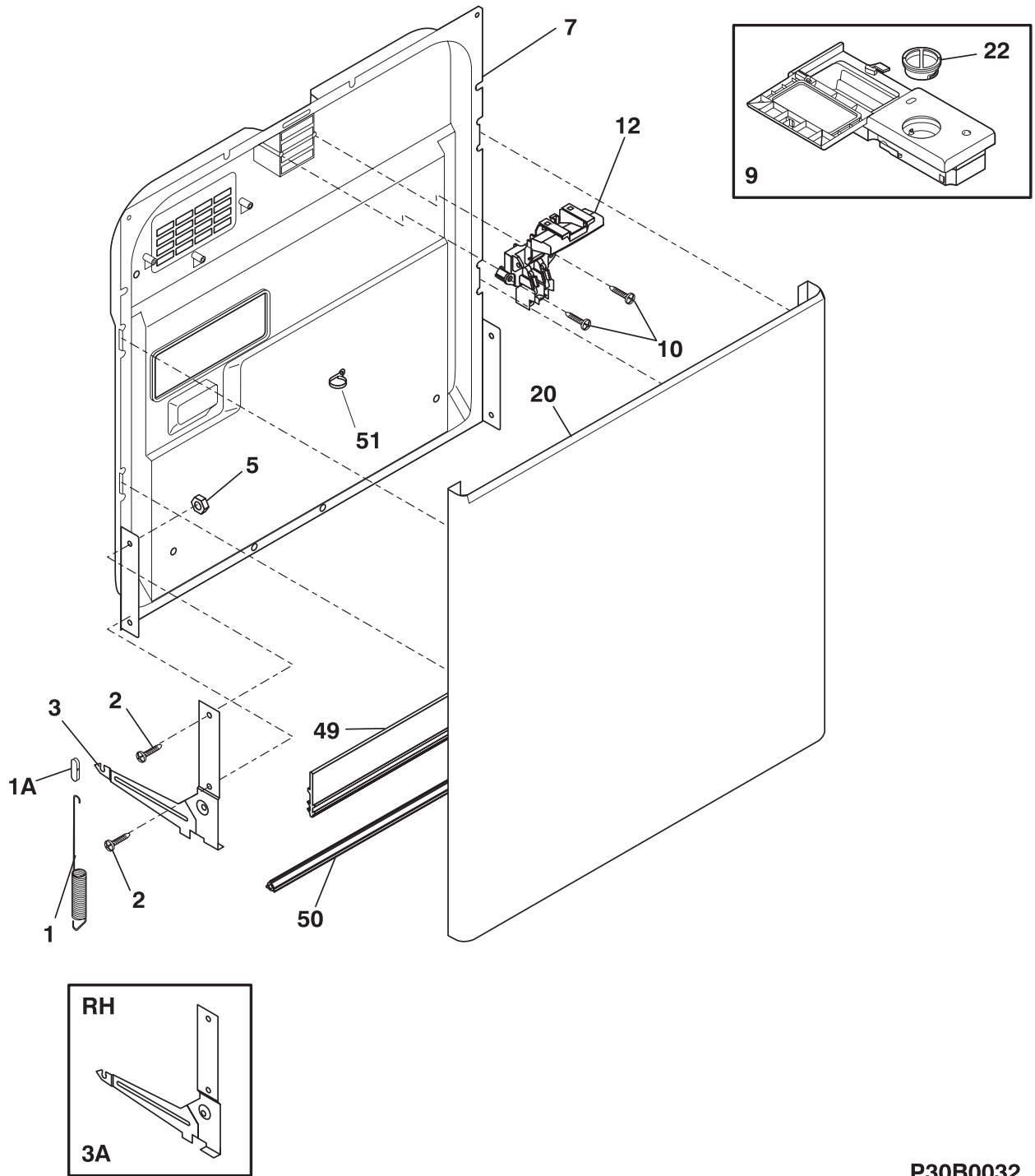
P30C0138

CONTROL PANEL

A = FDB750RC (FDB750RCS0)
B = FDB750RC (FDB750RCB0)
C = FDB750RC (FDB750RCC0)
D = FDB750RC (FDB750RCQ0)

POS. NO	PART NO		DESCRIPTION
1	154454201	A - - -	Panel,control ,white
1	154454203	- B C -	Panel,control ,black
1	154454204	- - - D	Panel,control ,bisque
2	154458201	A - - -	Insert,control panel ,white
2	154458203	- B C -	Insert,control panel ,black
2	154458204	- - - D	Insert,control panel ,bisque
3 #	154412901	A B C D	Timer
3*	154131203	A B C D	Shield,timer
3*	154095701	A B C D	Screw,thread rolling ,(2) ,timer
8 #	154368601	A B C D	Switch,selector ,6 button
8*	154248601	A B C D	Shield,switch
8*	5303318719	A B C D	Screw,mtg.
13	154426901	A - - -	Knob,timer ,white
13	154426903	- B C -	Knob,timer ,black
13	154426904	- - - D	Knob,timer ,bisque
20	154433001	A B C D	Vent assy,static dry
20*	154436201	A B C D	Screw,dry duct ,(3)
* #	154457501	A B C D	Wiring Harness
*	154399010	A B C D	Label,energy guide

DOOR

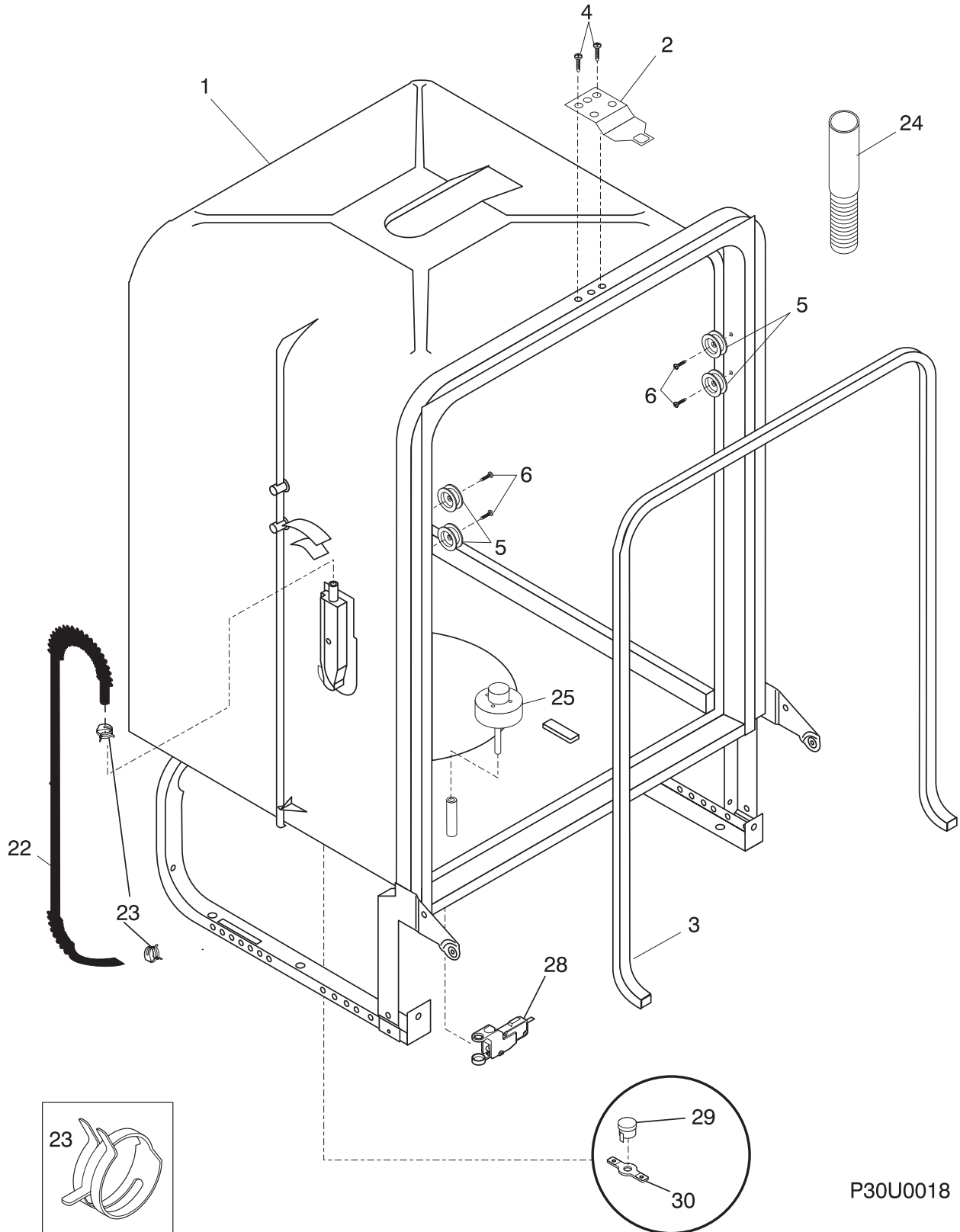


P30B0032

DOOR

A = FDB750RC (FDB750RCS0)
B = FDB750RC (FDB750RCB0)
C = FDB750RC (FDB750RCC0)
D = FDB750RC (FDB750RCQ0)

POS. NO	PART NO		DESCRIPTION
1	154430601	A B C D	Spring,door ,(2)
1A	154325201	A B C D	Linkage,door spring ,(2)
2	154093301	A B C D	Screw,arm assy ,(4)
3	154325304	A B C D	Arm Assy,LH
3A	154325303	A B C D	Arm Assy,RH
*	154400601	A B C D	Pin,arm assy
5	154079601	A B C D	Nut,arm assy ,and handle mtg.
7	154299004	A B C D	Door,inner assy
9	154230103	A B C D	Dispenser,det/rinse aid ,includes #22
9*	154294701	A B C D	Screw,#7 plas .375 ,(6) ,disp. assy.
10	154103702	A B C D	Screw,latch mtg ,(2)
12	154434101	A - - -	Latch assy,white
12	154434103	- B C -	Latch assy,black
12 #	154434104	- - - D	Latch assy,bisque
20	154359105	A - - -	Door,white
20	154359107	- B - -	Door,black
20	154359116	- - C -	Door,stainless
20	154359110	- - - D	Door,bisque
20*	5304428306	A B C D	Screw,door mtg. ,(2)
22	154388801	A B C D	Cap,Rinse aid
49	154297603	A B C D	Gasket,door ,bottom
50	154211401	A B C D	Support,door hinge
51	154320301	A B C D	Clamp,drip loop ,wire
* #	154227805	A B C D	Thermostat,temp assure
* #	154227808	A B C D	Thermostat,temp boost ,hi temp wash
*	154200601	A B C D	Screw,#10-16 x 3/8

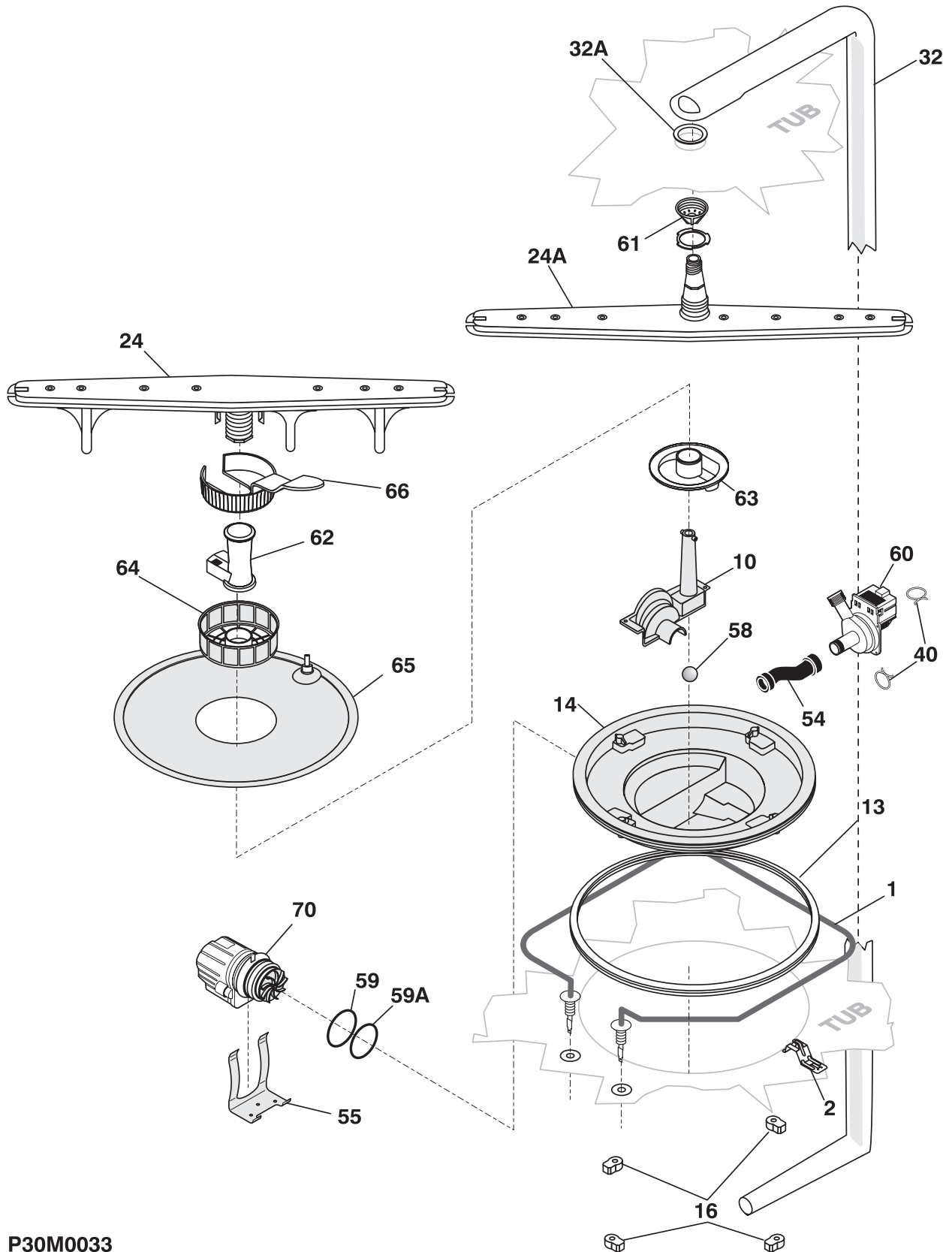


P30U0018

TUB

A = FDB750RC (FDB750RCS0)
B = FDB750RC (FDB750RCB0)
C = FDB750RC (FDB750RCC0)
D = FDB750RC (FDB750RCQ0)

POS. NO	PART NO		DESCRIPTION
1 #	154209301	A B C D	Tub assy,w/frame parts
2	154429101	A B C D	Strike,door
3 #	154211801	A B C D	Gasket,tub
4	154200602	A B C D	Screw,10-16 x 3/8 ,hex
5	154333902	A B C D	Roller,tub
6	5303943103	A B C D	Screw,w/washer ,(8)
22	154239801	A B C D	Tubing,water inlet
23	5303318539	A B C D	Clamp,tubing ,(2)
24 #	154411003	A B C D	Hose,drain
25 #	154209701	A B C D	Float
28	154408701	A B C D	Switch assy,float
29 #	154290204	A B C D	Thermostat,re-settable
30	154241101	A B C D	Retainer,thermostat
30*	154297701	A B C D	Screw,retainer-thermo
*	154447102	A B C D	Insulation,blanket
*	154041001	A B C D	Screw,plask #1 ,10-10 x 9/16
*	5300807270	A B C D	Screw,(2) ,countertop mtg.



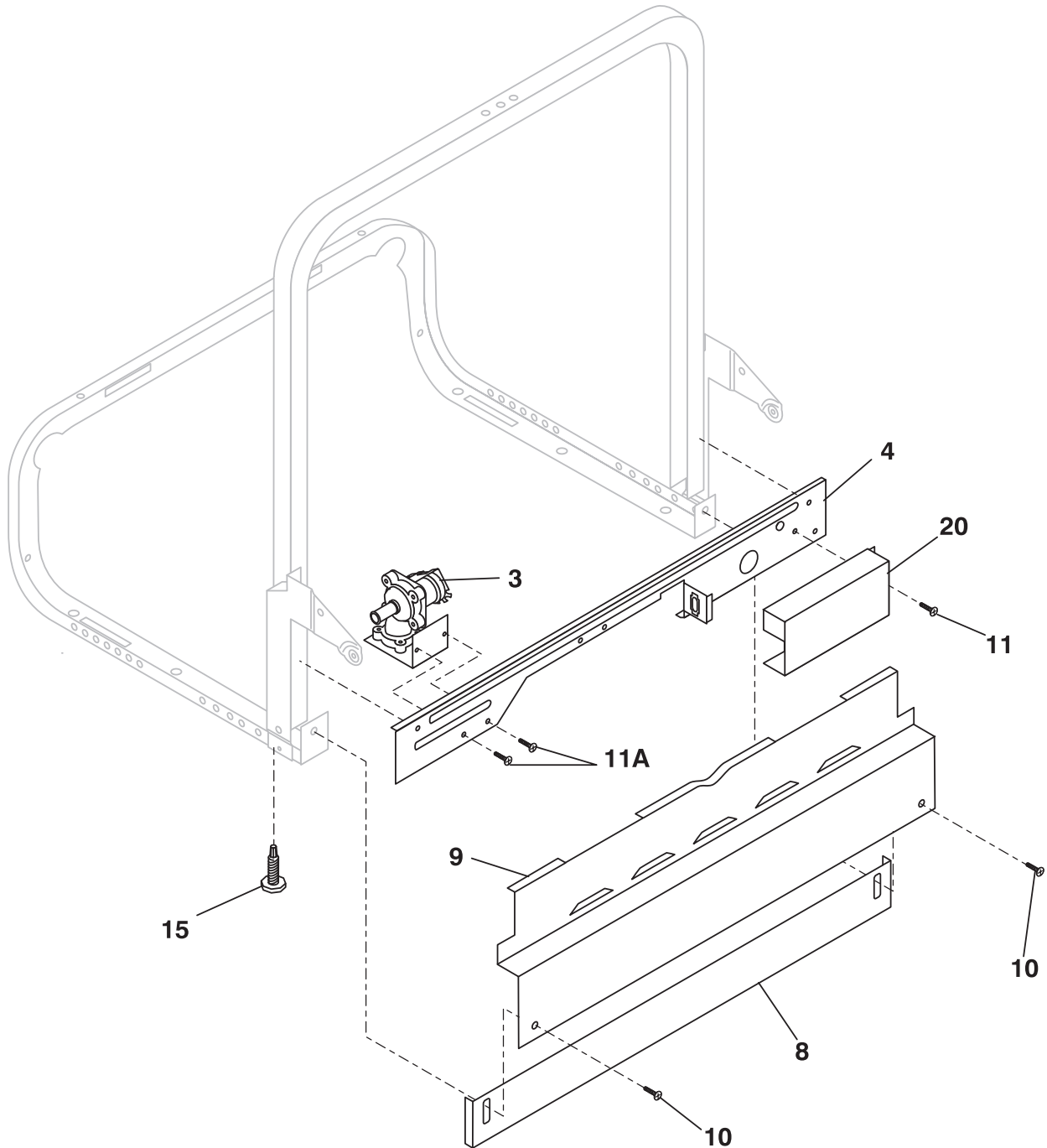
P30M0033

MOTOR & PUMP

A = FDB750RC (FDB750RCS0)
B = FDB750RC (FDB750RCB0)
C = FDB750RC (FDB750RCC0)
D = FDB750RC (FDB750RCQ0)

POS. NO	PART NO		DESCRIPTION
1 #	154247601	A B C D	Heater
1*	154106201	A B C D	Nut,heater ,(2)
1*	154289801	A B C D	Shield,heater terminal
2	154359701	A B C D	Bracket,heater ,(2)
10	154245501	A B C D	Cover,volute
13	154246801	A B C D	Gasket,sump
14	154365902	A B C D	Housing,sump
16	154246502	A B C D	Retainer,sump
24	154414101	A B C D	Spray arm,lower ,w/heat shield
24A	154313601	A B C D	Spray arm,center
24A*	154252001	A B C D	Nut,spray arm ,center
32	154406601	A B C D	Tube,delivery
32A	154406401	A B C D	Gasket,delivery tube
40	154348401	A B C D	Clamp,red ,pump
40	154348501	A B C D	Clamp,silver ,pump
40*	154106801	A B C D	Clamp,hose ,(2)
40*	154380601	A B C D	Clamp,hose ,(1)
54	154234401	A B C D	Hose,connector
55	154362301	A B C D	Bracket,motor ,askoll
55*	5303316032	A B C D	Screw,truss ss ,8 .625
58	154246402	A B C D	Check ball
59	154246901	A B C D	O-ring,rear
59A	154247001	A B C D	O-ring,front
60	154407401	A B C D	Drain Pump Assy
60*	154426201	A B C D	Bracket,motor ,drain
61	154406501	A B C D	Nozzle,3rd level ,spray arm
62	154294101	A B C D	Support,spray arm ,lower
63	154252201	A B C D	Base,soil director
64	154252301	A B C D	Filter,soil director
65	154252401	A B C D	Filter,polypro
66	154252701	A B C D	Trap,glass
70 #	154395403	A B C D	Motor assembly,circulation ,w/o o'rings
*	154200601	A B C D	Screw,#10-16 x 3/8

FRAME



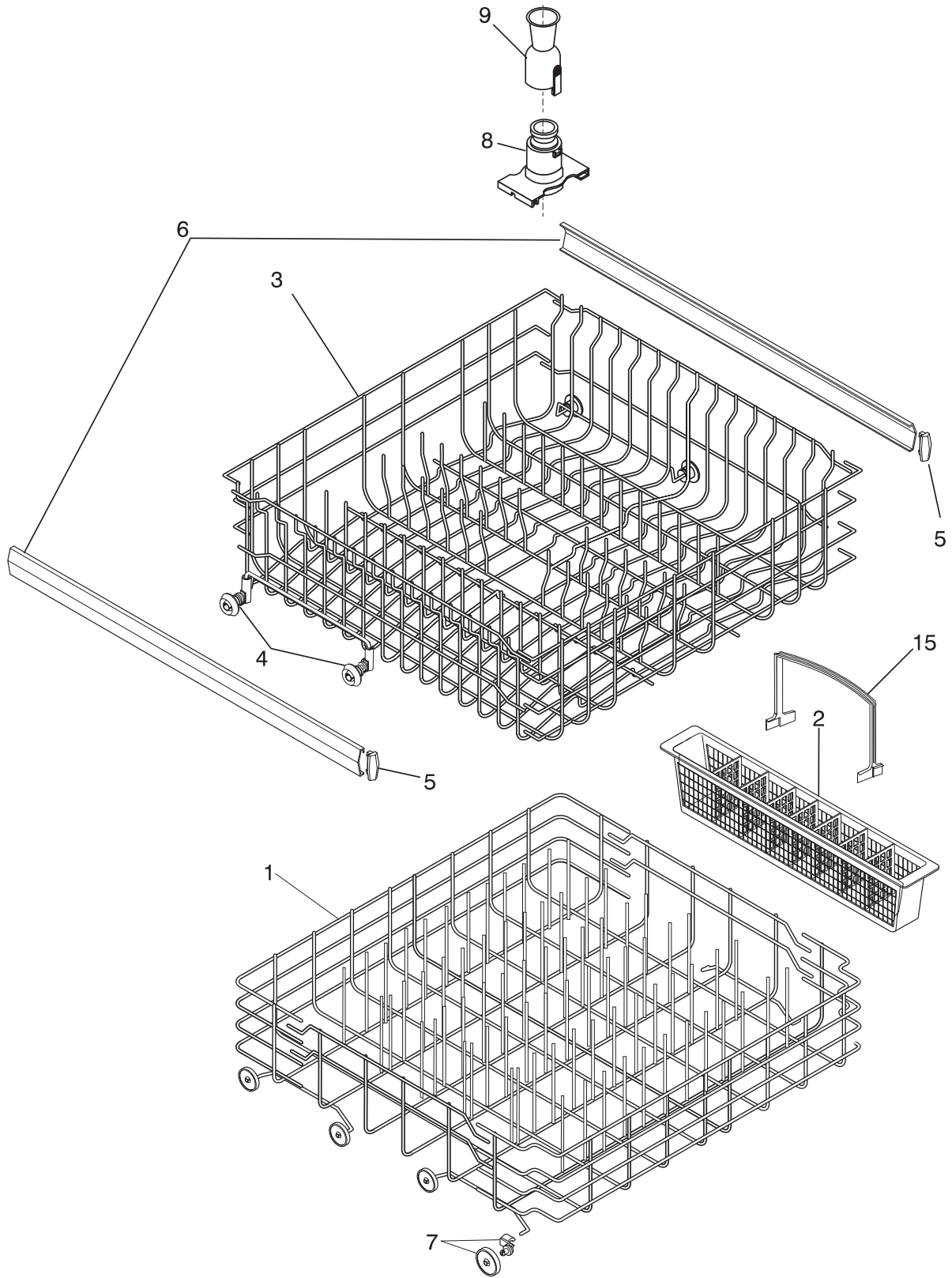
P30F0022

FRAME

A = FDB750RC (FDB750RCS0)
B = FDB750RC (FDB750RCB0)
C = FDB750RC (FDB750RCC0)
D = FDB750RC (FDB750RCQ0)

POS. NO	PART NO		DESCRIPTION
3 #	154373303	A B C D	Valve,water
4	154208701	A B C D	Brace,front frame
8	154322901	A - - -	Toeplate,adjustable ,white
8	154322903	- B C -	Toeplate,adjustable ,black
8	154322905	- - - D	Toeplate,adjustable ,bisque
9	154397201	A - - -	Kickplate Assy,white ,w/foam
9	154397203	- B C -	Kickplate Assy,black ,w/foam
9	154397204	- - - D	Kickplate Assy,bisque ,w/foam
10	154371301	A - - -	Screw,phillips head ,white
10	5300808658	- B C -	Screw,#8A x .375" ,black
10	154371303	- - - D	Screw,phillips head ,bisque
11	154409401	A B C D	Screw,#8-18 x .375
11A	154200601	A B C D	Screw,#10-16 x 3/8
15	154419301	A B C D	Screw,leveling
20	154209601	A B C D	Cover,junction box
*	154041001	A B C D	Screw,plask #1 ,10-10 x 9/16
*	154200602	A B C D	Screw,10-16 x 3/8 ,hex

RACKS



P30R0025

RACKS

A = FDB750RC (FDB750RCS0)
B = FDB750RC (FDB750RCB0)
C = FDB750RC (FDB750RCC0)
D = FDB750RC (FDB750RCQ0)

POS. NO	PART NO		DESCRIPTION
1	154319706	A B C D	Rack assy,lower
2	154295201	A B C D	Basket,silverware
3	154319506	A B C D	Rack assy,upper
4	5304407064	A B C D	Wheel & bushing assy,upper rack
5	5300809927	A B C D	Cap,slide ,(4)
6	154232701	A B C D	Slide,rack ,(2)
7	154174501	A B C D	Wheel & bracket assy,lower rack
8	154304001	A B C D	Base,funnel
9	154251801	A B C D	Funnel
15	154254001	A B C D	Handle,basket ,silverware