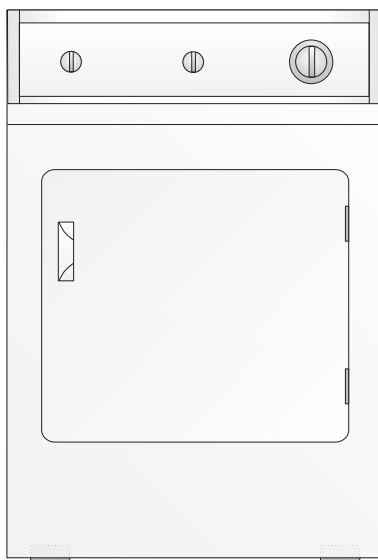


FACTORY PARTS CATALOG GAS DRYER

Frigidaire



PRODUCT NO.	BASE MODEL NO.	COLOR
FDGB34RGS2	FDGB34RG	White

WIRING DIAGRAM - # 131837200
OWNER'S GUIDE - # 131883500
OPERATING INSTRUCTIONS - # 131834600

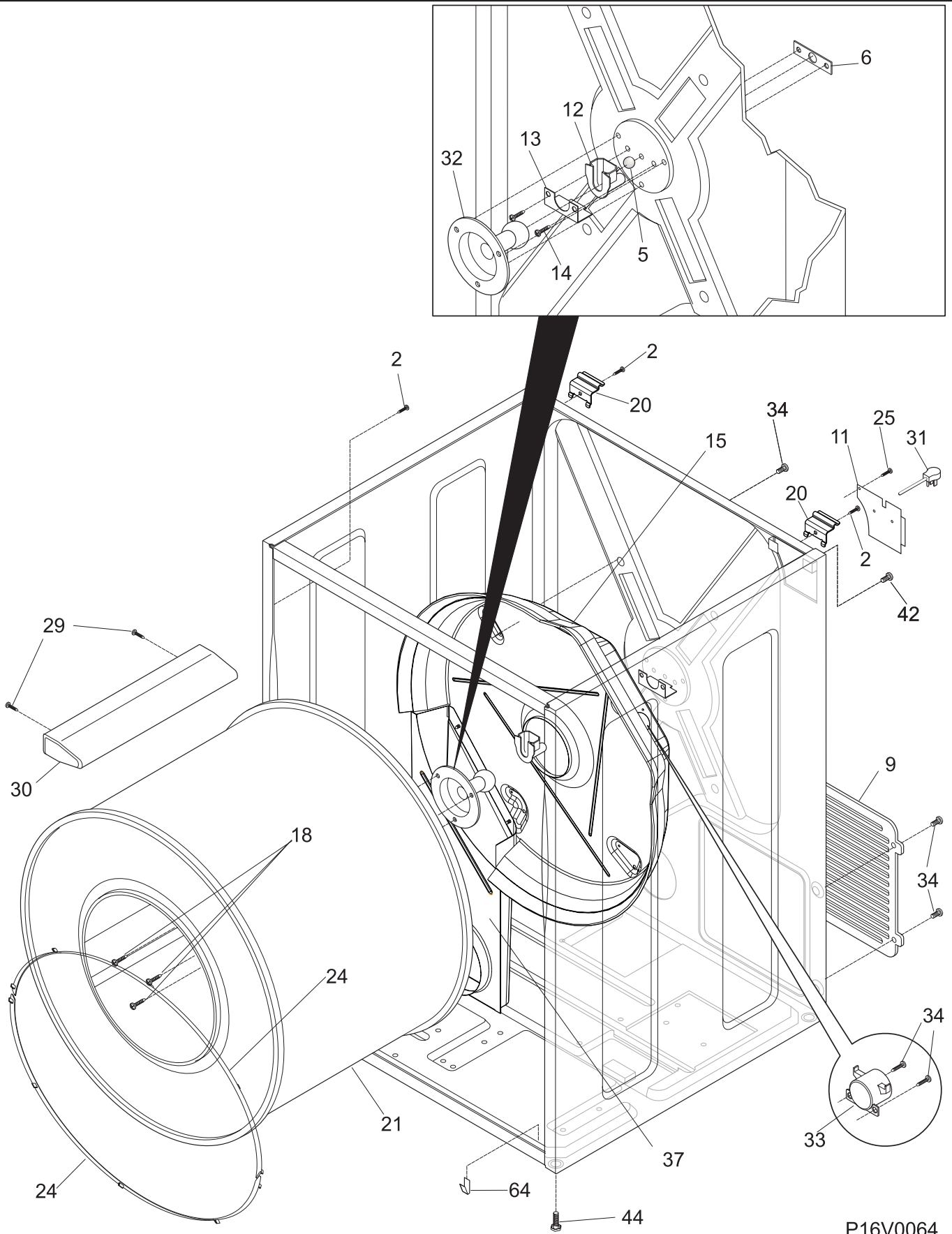
 **Electrolux**

ELECTROLUX HOME PRODUCTS NORTH AMERICA
400 Des Moines St., Webster City IA 50595-1499

Publication No.
5995372116
020514
ENG/SERVICE/JAB
361

GAS - DRYER

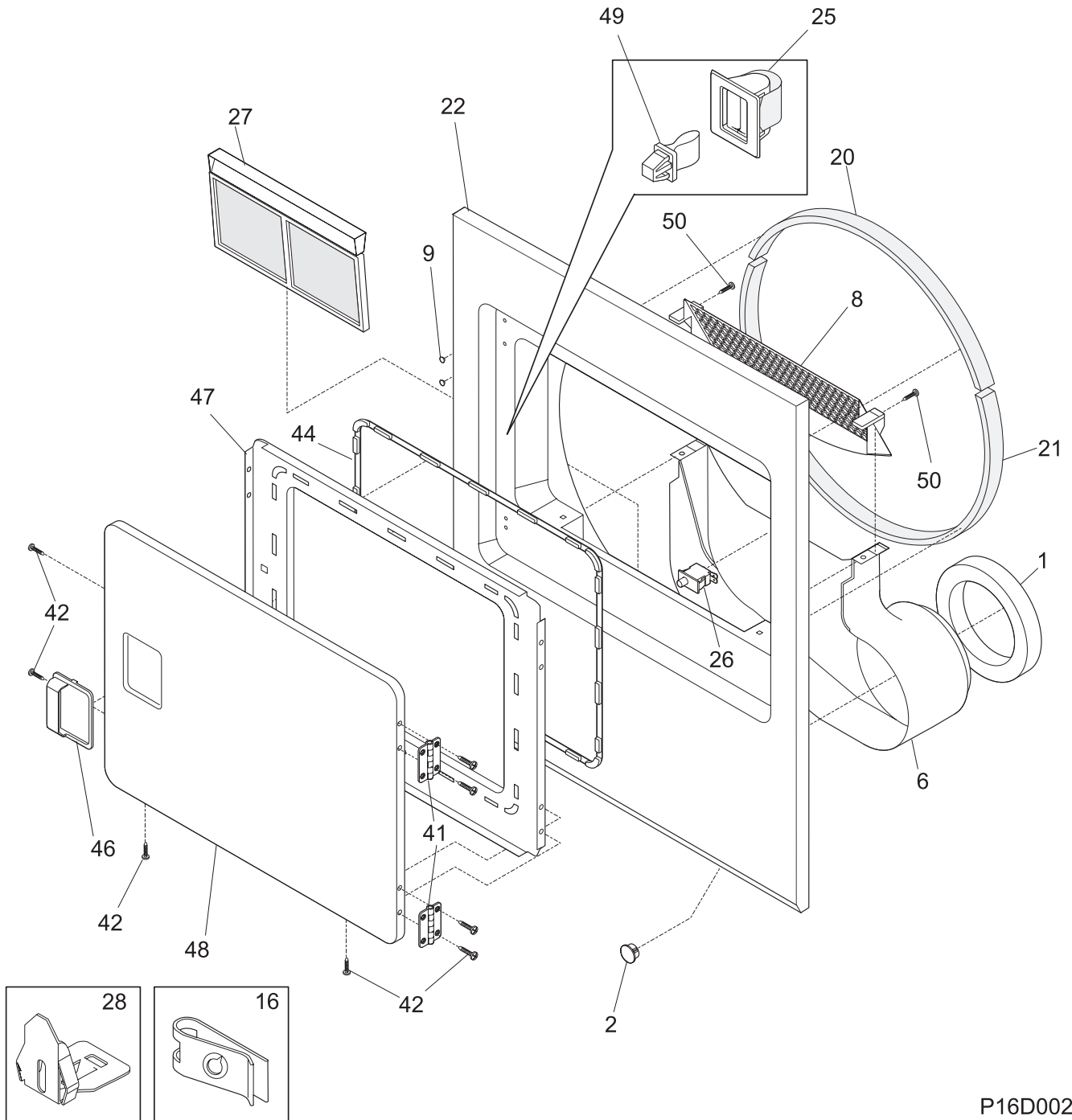
**Model No.
FDGB34RG**



P16V0064

CABINET/DRUM

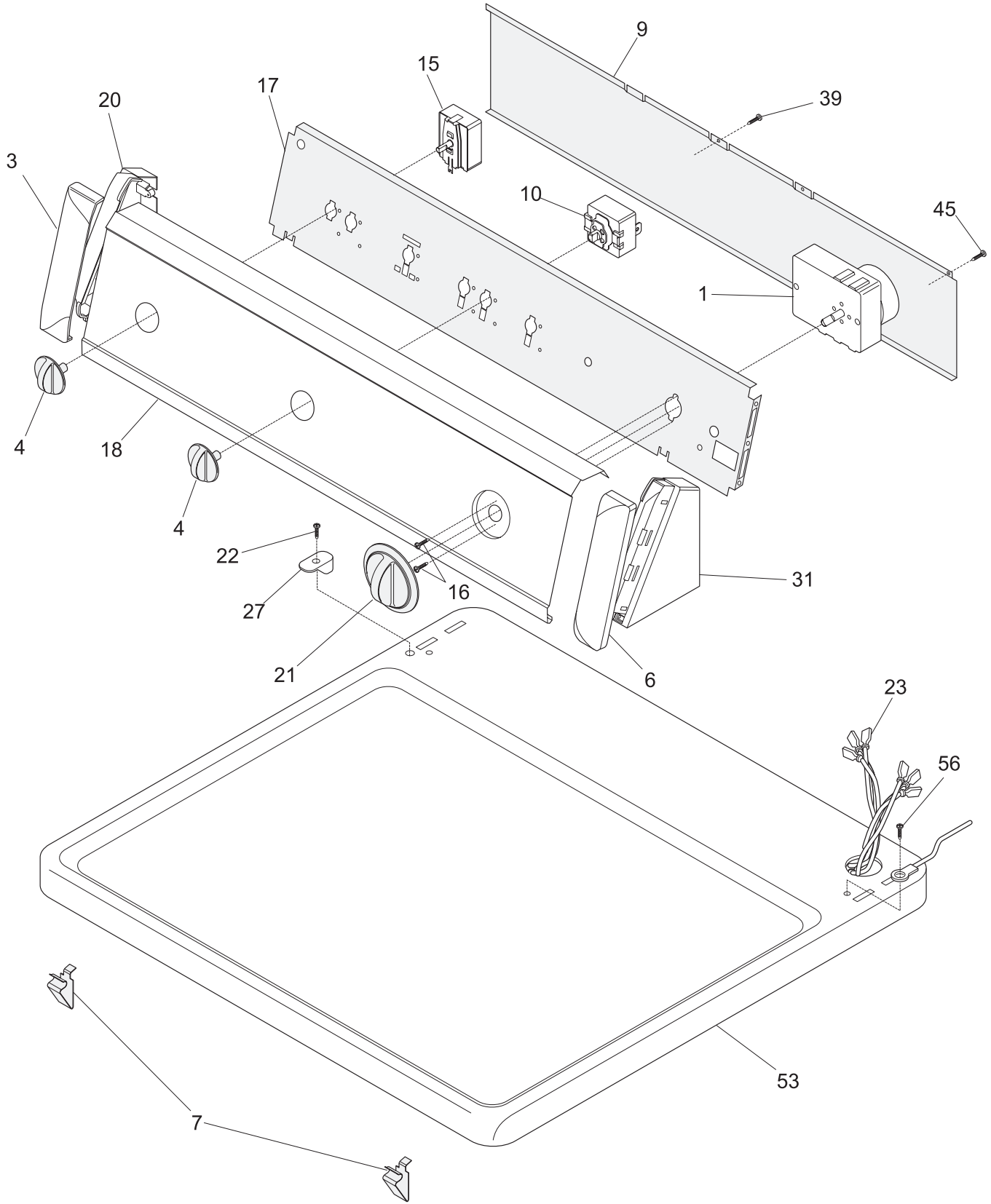
POS. NO	PART NO	DESCRIPTION
2	131168200	Screw, 8-18 x 0.31
5	5303281019	Ball
6	5303281020	Clip-ball
9	131793201	Panel-access
11	131363200	Cover-term block
12	131825900	Bearing-shaft
13	131724300	Bracket-bearing
14	131205400	Screw-bracket, 10-16B x 1.375, cr/sq drive
15 #	131600500	Asmy-heater
18	131477000	Screw-shaft & baffle, comb ph ab spcl, 10-16 x .375
20	131469100	Bracket-hinge
21	134122532	Asmy-FS drum-gas-galv
24	131963900	Glide-drum
25	5303015671	Screw, 8-18 x .375
29	131382300	Screw-vane, quadrex head, 10-14 x 1.00, special
30	5303201200	Vane
31 #	134102200	Cord-electric power
32	131777700	Asmy-shaft (ballhitch)
33 #	5308015399	Thermostat-safety
34	131243700	Screw, pan head, 8-18AB x 0.375, 39, cr/sq drive
37	131952100	Duct-heat
42	131301100	Screw-ground cab, hex washer head, 10-32T x 0.375, serrated head
44	131527400	Foot-cabinet
64	131704600	Clip, cabinet bottom
* #	5303281153	Rear Bearing Kit, includes #5, 6, 12, 13, 14, 18, 32
*	5303307893	Lubricant, high temp



P16D0021

FRONT PANEL/LINT FILTER

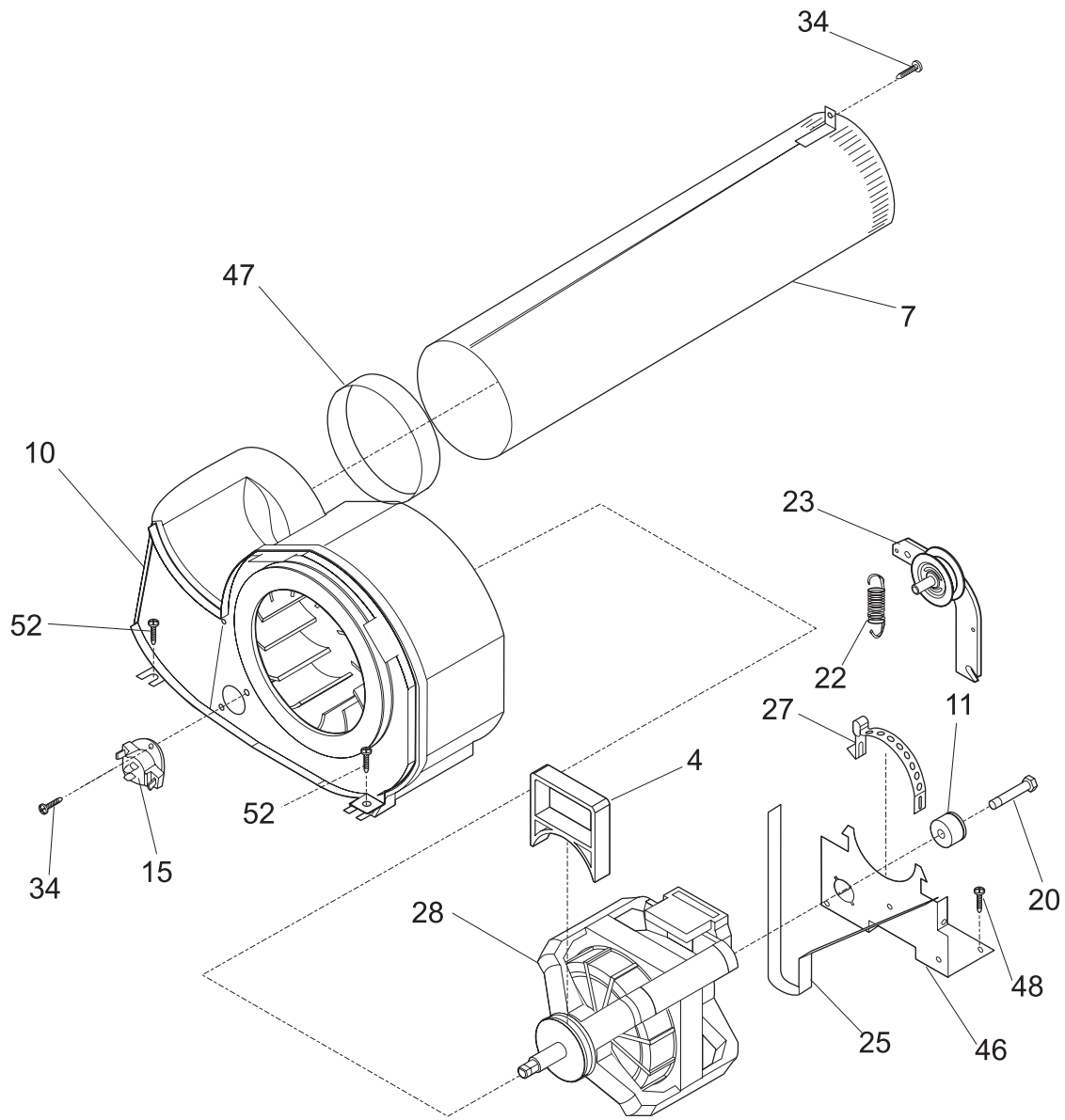
POS. NO	PART NO	DESCRIPTION
1	134063300	Seal-air duct
2	131397000	Plug, white
6	131621900	Duct-air
8	131622202	Cover-lint trap
9	131633200	Plug, white
16	131063700	Clip-wiring
20	134036400	Felt-front
21	134134700	Felt-lower
22	131845912	Panel-front white
25	131658800	Catch-door
26 #	131843100	Switch-door w/o lite
27	131450300	Lint Trap
28	5303281074	Clip-guide (3)
41	131627500	Hinge-door
42	131209600	Screw, flat head, 8-18AB x 0.44, cr/sq drive
44	131129900	Gasket-door
46	131644700	Handle-door, white
47	131844104	Panel-inner door, white
48	131789303	Door-outer, white
49	5303211430	Strike-door
50	131303300	Screw-lock, ph ab, 10-16 x .50
*	5308027429	Adhesive, high temp
*	131474700	Insulation
*	131870700	Plug-light hole



P16C0079

CONTROLS/TOP PANEL

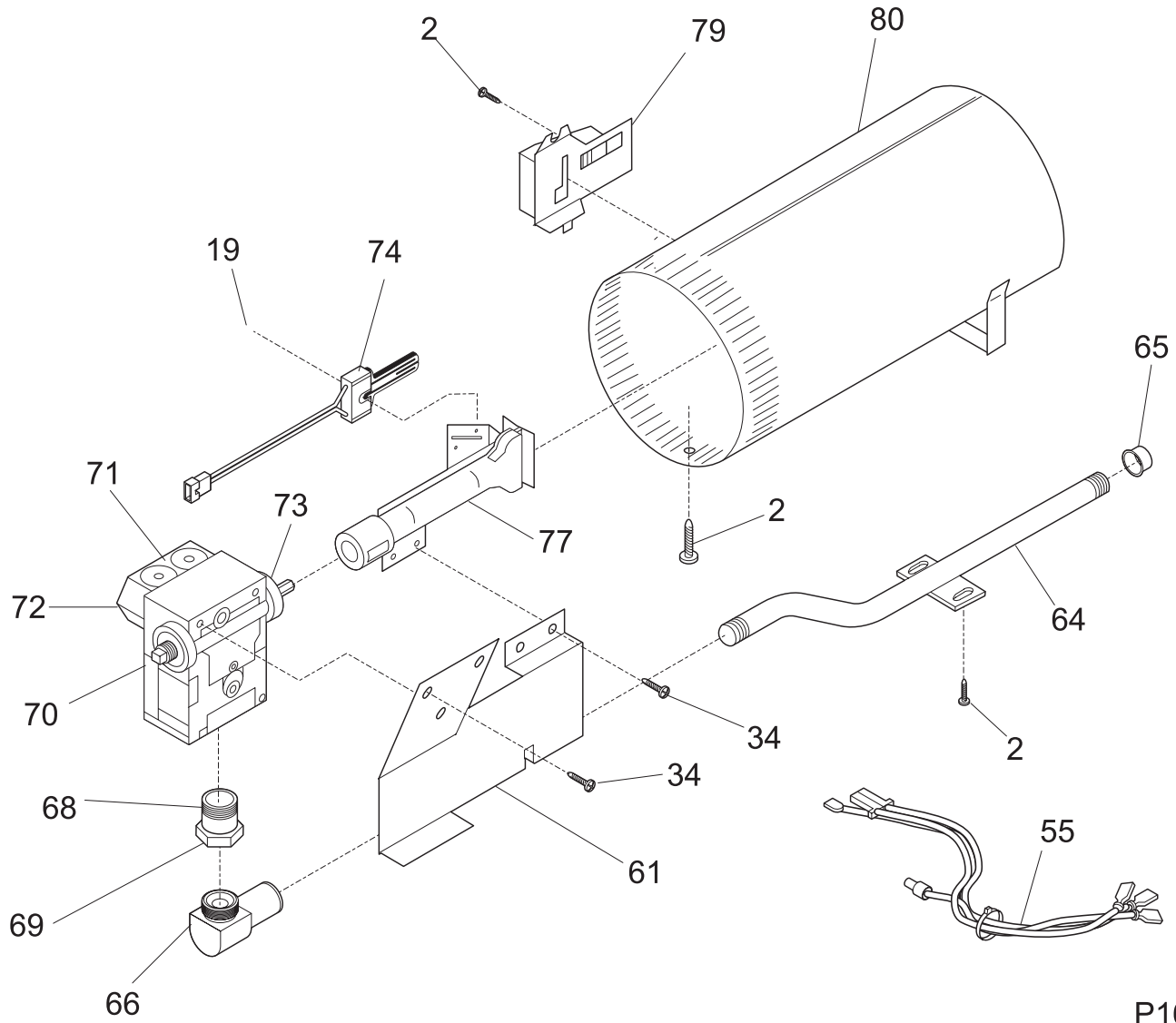
POS. NO	PART NO	DESCRIPTION
1 #	5303297139	Timer-dryer
3	131122611	Cover-end cap, white, LH
4	131141105	Knob-rotary, white/gray
6	131122601	Cover-end cap, white, RH
7	3205821	Clip-top panel to front panel
9	134088700	Backsheet-console
10 #	131447800	Switch-start
15 #	131243200	Switch-temp
16	134034300	Screw, cr pan head, 8-32 x 0.250, thread forming
17	131728900	Bracket-control
18	131836700	Trimplate FDE/B7WSJF-2
20	131122711	End Cap, white, LH
21	134011703	Knob-timer
22	131266300	Screw-end cap, cr oval head, 8-18AB x 1.250, black
23 #	134005000	Harness WSJ gas
27	131197000	Clip-control panel
31	131122701	End Cap, white, RH
39	131243700	Screw, pan head, 8-18AB x 0.375, 39, cr/sq drive
45	131205100	Screw, #8 pan head, 10-10B x 0.50, cr/sq drive
53	134086802	Panel-top white
56	131243800	Screw-brkt top, pan hd locking, 8-32CA x 0.375, cr/sq drive



P16M0024

MOTOR

POS. NO	PART NO	DESCRIPTION
4	131435200	Lock-fan housing
7	131451600	Tube-exhaust
10	131775600	Housing-fan
11	131749800	Spacer-idler
15 #	131298400	Thermostat-control
20	131017900	Screw-spacer, hex head, 1/4-20T x 1.25, thread cutting
22	131601000	Spring-idler
23	131863000	Asmy-idler bracket & pulley
25 #	5303283471	Belt-dryer
27	131419800	Clamp-motor
28 #	131560100	Motor-main, w/pulley
34	131243700	Screw, pan head, 8-18AB x 0.375, 39, cr/sq drive
46	131601100	Bracket-motor
47	131633300	Seal-exhaust tube
48	131168200	Screw, 8-18 x 0.31
52	131303100	Screw, hwhd ab, 10-16 x .625
*	131456800	Tube Assy, exhaust



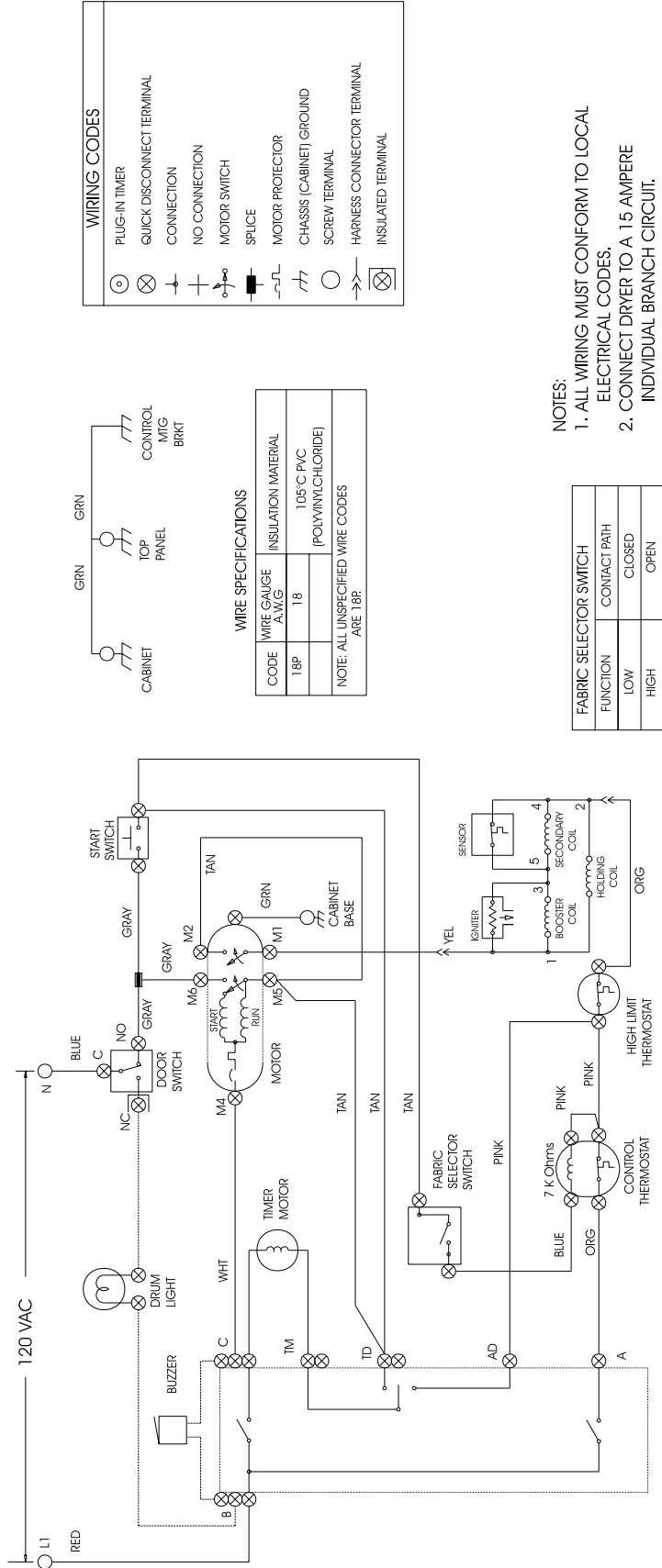
P16B0011

BURNER

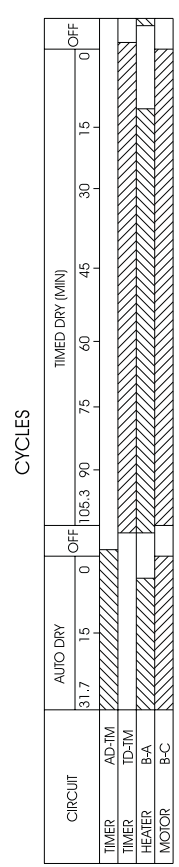
POS. NO	PART NO	DESCRIPTION
2	131168200	Screw, 8-18 x 0.31
19	131715500	Clip-igniter
34	131243700	Screw, pan head, 8-18AB x 0.375, 39, cr/sq drive
55 #	131827100	Harness-gas valve
61	131418701	Bracket-burner
64	134145300	Pipe
65	08015112	Cap-pipe
66	131512000	Elbow-coupler
68	5362791200	Union-male connector, brass
69	08015194	Nut-union, hex
70 #	5303207409	Valve-gas
71 #	5303307291	Coil-secondary
72 #	5303307292	Coil-booster
73	5303207410	Orifice, natural gas
74 #	5303281151	Ignitor Assy
77 #	131762900	Assy-burner
79 #	5303281135	Sensor
80 #	131904500	Tube-burner assy
* #	131776600	Kit-LP

WIRING DIAGRAM

CAUTION: DISCONNECT ELECTRIC CURRENT BEFORE SERVICING. LABEL ALL WIRES PRIOR TO DISCONNECTION WHEN SERVICING CONTROLS. WIRING ERRORS CAN CAUSE IMPROPER AND DANGEROUS OPERATION. VERIFY PROPER OPERATION AFTER SERVICING.



BAR CHART TO THE LEFT REPRESENTS ONE COMPLETE REVOLUTION OF TIMER SHAFT. SHADED PORTION OF BAR CHART INDICATES THE PROPORTIONAL TIMES THAT INTERNAL TIMER CONTACTS ARE CLOSED.



NOTE: DASHED LINES INDICATE CIRCUITS THAT ARE NOT IN ALL MODELS.

WIRING DIAGRAM
P/N 131837200