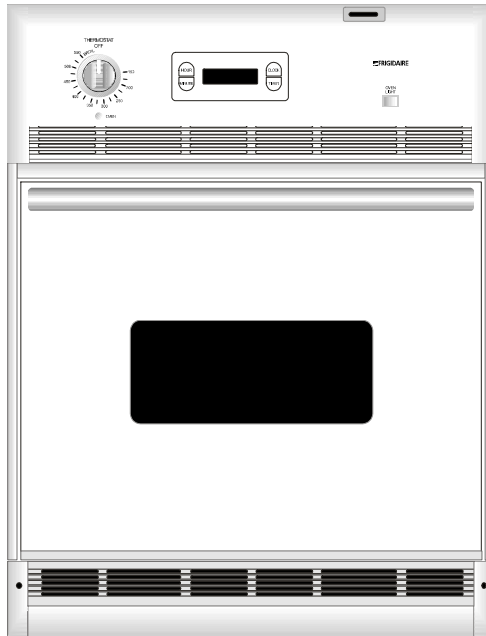


FACTORY PARTS CATALOG ELECTRIC WALL OVEN

FRIGIDAIRE



PRODUCT NO.	FACTORY NO.	COLOR	MARKET
FEB500CESE	38254412B6015	WHITE	U.S.A.
FEB500CEBE	38254412B6065	BLACK	U.S.A.

WIRING DIAGRAM #- 318046004
OWNER'S GUIDE #- 318200912
INSTALLATION INSTR. # - 318201509
TIMER INSTR. GUIDE # - 318200109

GAS WALL OVEN

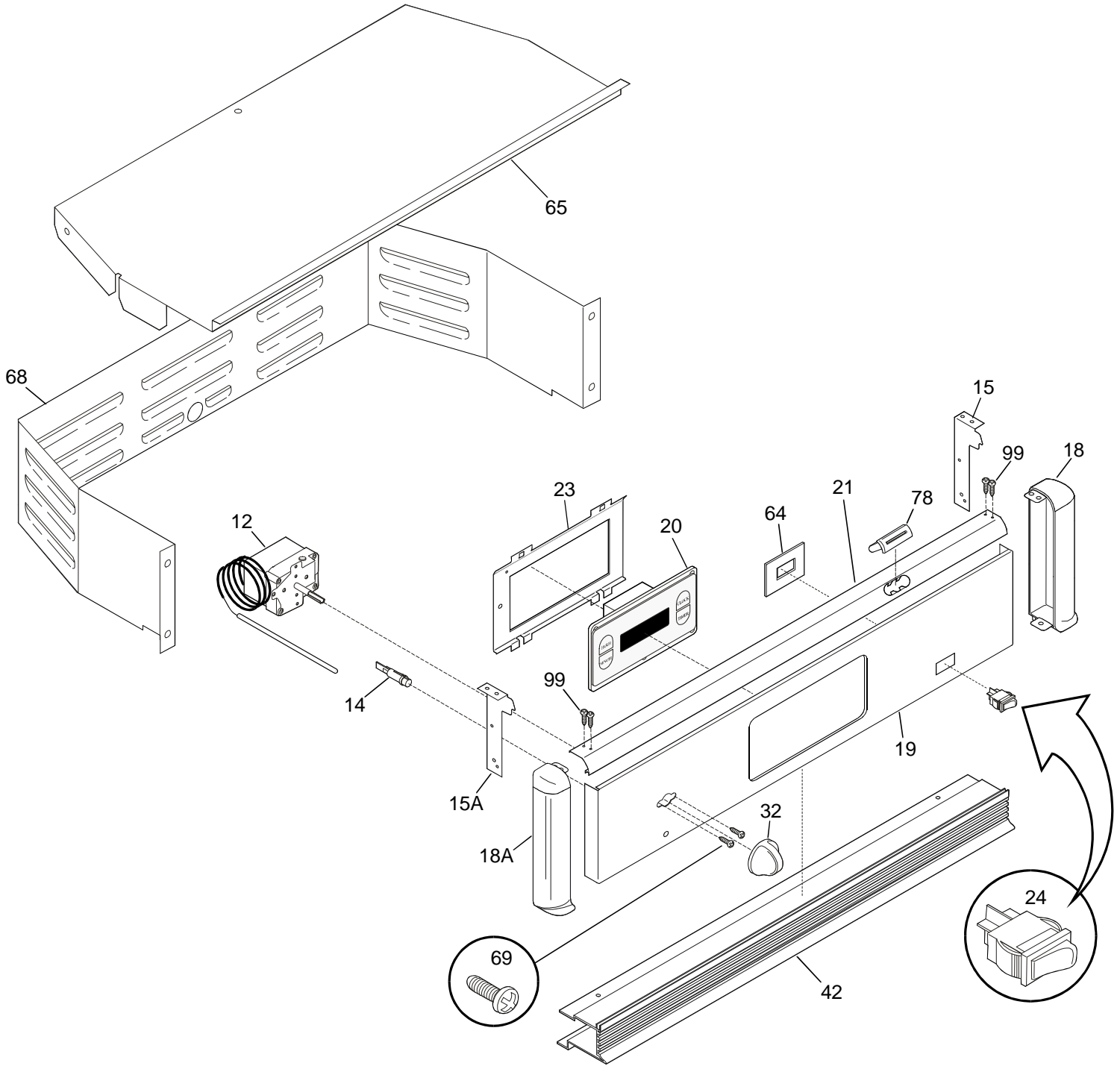
 **FRIGIDAIRE**
HOME PRODUCTS

FRIGIDAIRE HOME PRODUCTS
7075 ORDAN DRIVE
MISSISSAUGA, ONTARIO
CANADA, L5T 1K6
TEL: (905) 565-9200

Model No.
FEB500CE

Publication No.
5995344925
001016
-EN/SERVICE
377

©2000 White Consolidated Industries, Inc.
All rights reserved

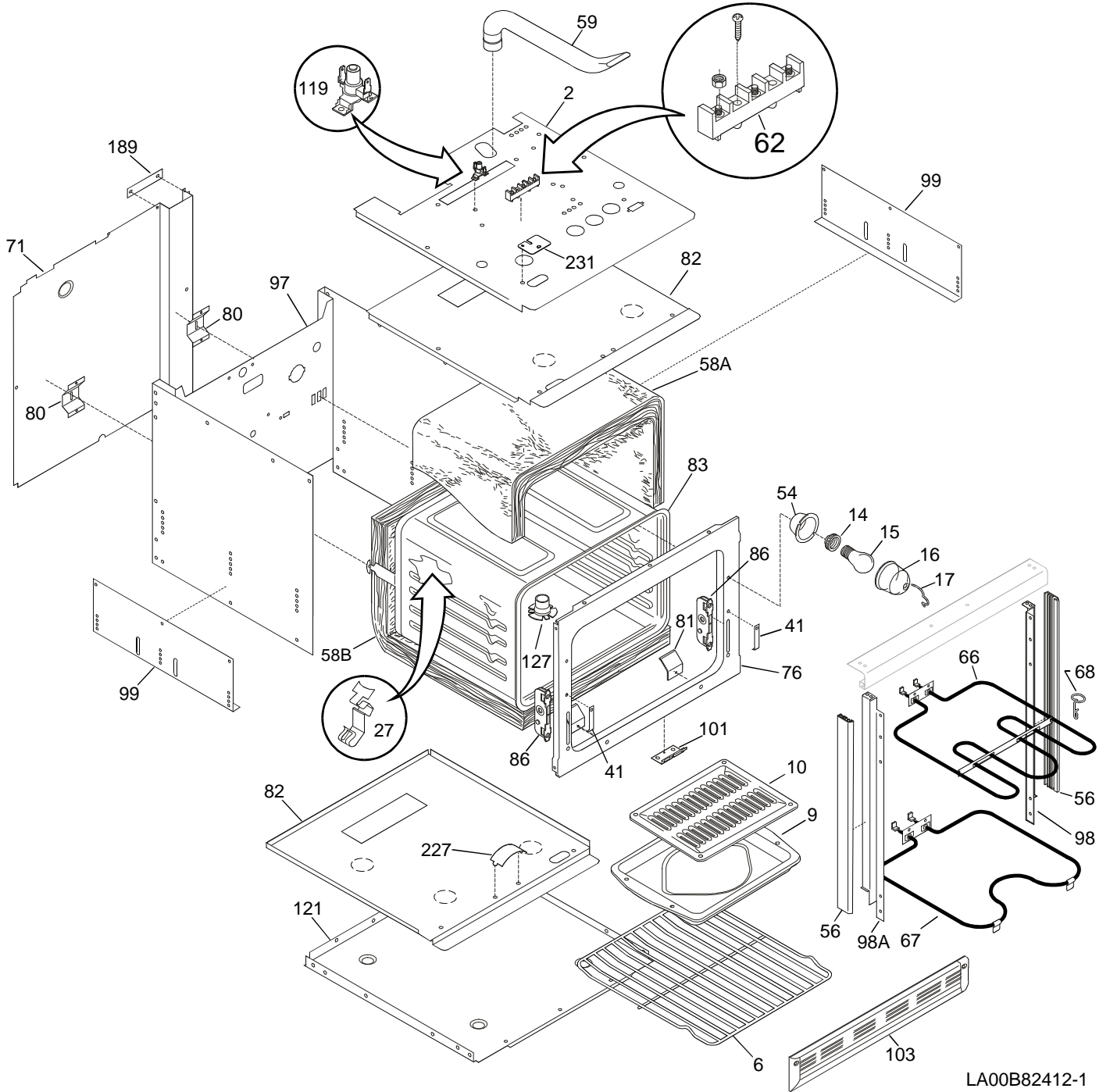


LA00CP82412-1

CONTROL PANEL

A = FEB500CE (FEB500CESE)
B = FEB500CE (FEB500CEBE)

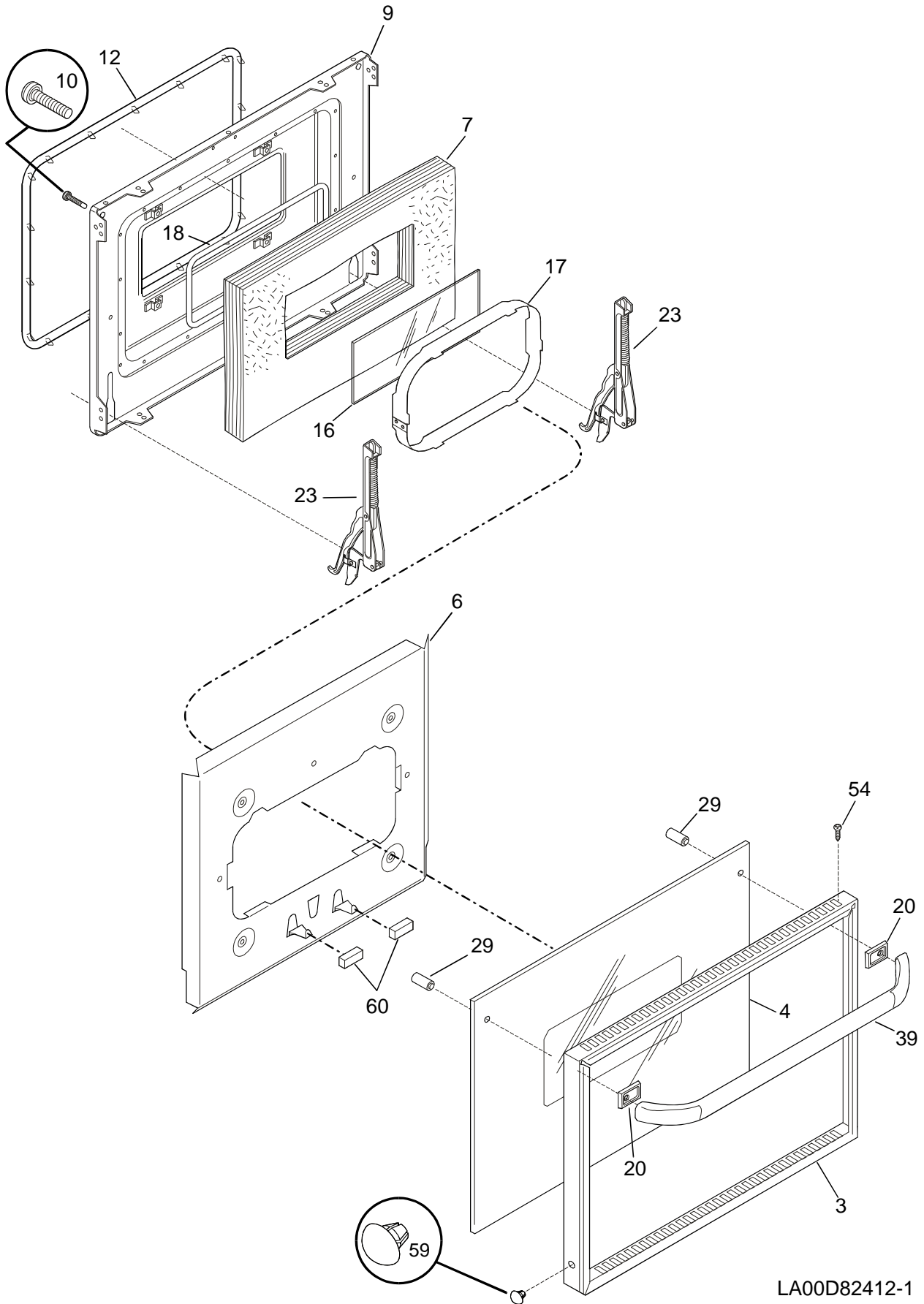
POS. NO	PART NO		DESCRIPTION
12 #	318058300	A B	Thermostat-oven
14	5303320424	A B	Light/Lamp
15	5303302286	A B	Support backguard RH
15A	5303302287	A B	Support backguard LH
18	5303311208	A	End Cap RH white
18	5303311231	B	End Cap RH black
18A	5303311209	A	End Cap LH white
18A	5303311232	B	End Cap LH black
19	318129702	A	Panel-control white
19	318129703	B	Panel-control black
20#	318013914	A	Clock/Timer
20#	318013915	B	Clock/Timer
21	5303320425	A	Trim-canopy white
21	5303300408	B	Trim-canopy black
23	318015701	A B	Bracket clock mtg
24 #	316005607	A	Switch-rocker white
24 #	316005602	B	Switch-rocker black
32	318017206	A	Knob-thermostat white
32	318017205	B	Knob-thermostat black
42	5303316649	A	Trim-vent white
42	5303316651	B	Trim-vent black
64	318112200	A B	Plate
65	318038804	A B	Cover-control housing
68	5303302397	A B	Housing control
69	5303323134	A B	Screw 8-32 X 3/16
78	5303302394	A	Cover, oven vent white
78	5303302396	B	Cover, oven vent black
99	5303316956	A	Screw, 6-32 X 3/8, white
99	5303307406	B	Screw, 6-32 X 3/8, black
*	5303211311	A B	Screw #8 X ½



LA00B82412-1

A = FEB500CE (FEB500CESE)
B = FEB500CE (FEB500CEBE)

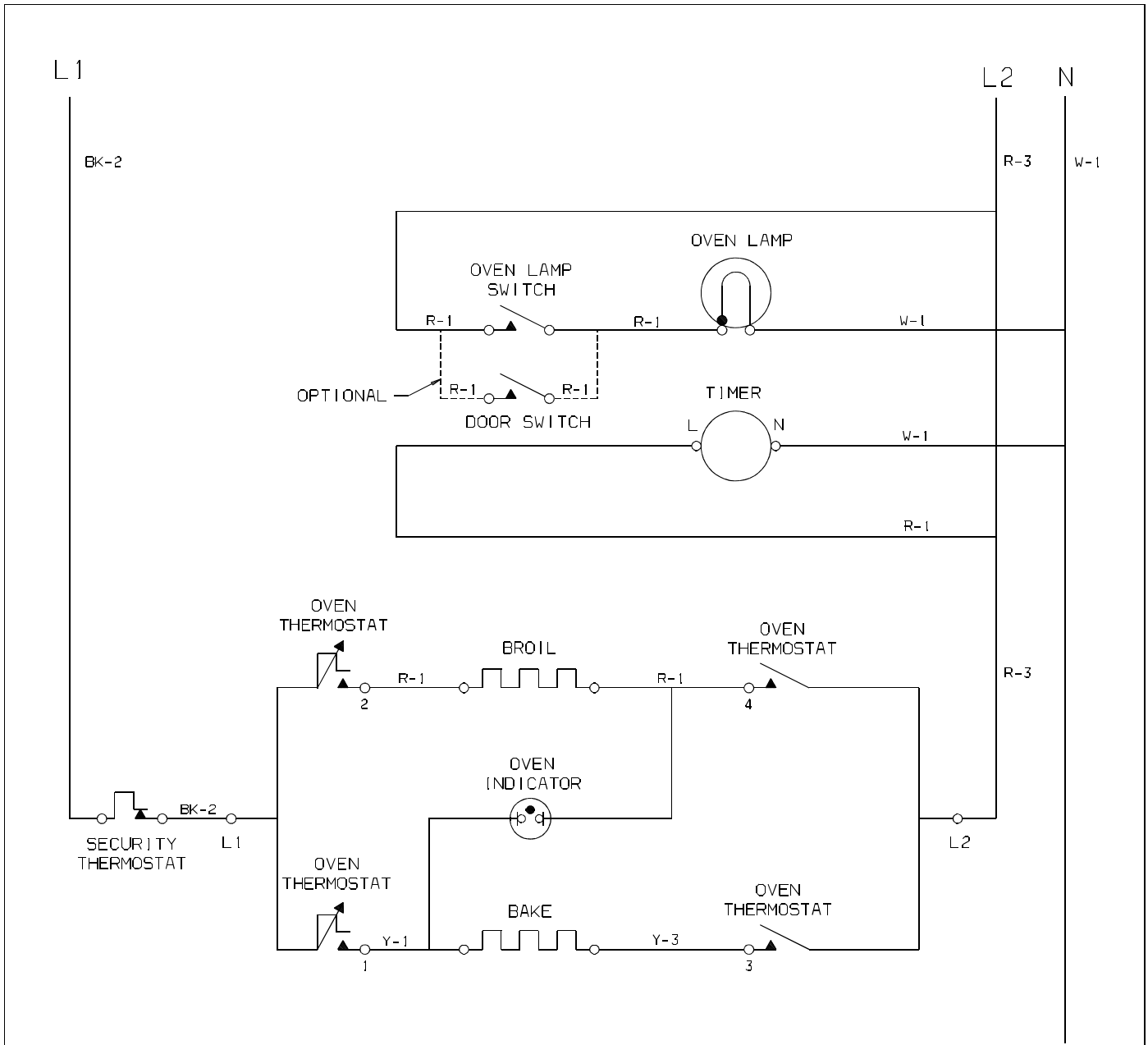
POS. NO	PART NO		DESCRIPTION
2	5303298946	A B	Shield oven-top
6	5303296873	A B	Rack-oven
9	5303317977	A B	Pan-broiler
10	5303317976	A B	Insert broiler pan
14	5308011085	A B	Socket-light/lamp
15	3201908	A B	Lamp-oven light
16	3201911	A B	Glass-oven light lens
17	5304400195	A B	Retainer-lens
27	5303284616	A B	Clip thermo-bulb
41	5303310526	A B	Cover hinge cutout/ Plaque décorative
54	5303310514	A B	Housing-oven light
56	5303302711	A	Trim-bodyside white
56	5303298951	B	Trim-bodyside black
58A	5303304702	A B	Insulation oven wrapper
58B	5303299688	A B	Insulation oven back
59	318072507	A B	Tube-oven vent
62#	5303310518	A B	Terminal block
66#	5303322963	A B	Element-broil
67#	3202440	A B	Element-bake
68	5304403015	A B	Support-element
71	318071111	A B	Shield-wire
76	318056124	A B	Front-oven
80	5303301261	A B	Spring-oven
81	5303323710	A B	Bracket-oven
82	5303305035	A B	Shield insulation/ Panneau isolant
83	318089509	A B	Liner-oven assy
86	5303310524	A B	Channel-hinge
97	318066602	A B	Wrapper-back side
98	318029322	A B	Trim side inner RH
98A	318029323	A B	Trim side inner LH
99	5303299686	A B	Support-adjustable
101	318039512	A	Bracket-trim
101	318039511	B	Bracket-trim
103	318028711	A	Trim-base white
103	318028710	B	Trim-base black
119	3202388	A B	Switch-thermal
121	318145001	A B	Wrapper-base
127	5303310542	A B	Adapter assy
189	318042500	A B	Retainer plate
227	5303323955	A B	Clip-retainer
231	5303300421	A B	Cover-capillary
*	08002868	A B	Screw, 10-24 X 1/2
*	5303211311	A B	Screw, #8 X 1/2
*#	5303319468	A B	Box & wires assy
*	5303324184	A B	Screw, 8 X 5/16
*	5303320422	A B	Screw, 6-20 X 5/16
*	5303302745	A B	Screw, 10-16 X 1 1/8/ Vis
*	5303935083	A	Screw, 10-16 X 1 1/4 white/ Vis



LA00D82412-1

A = FEB500CE (FEB500CESE)
B = FEB500CE (FEB500CEBE)

POS. NO	PART NO		DESCRIPTION
3	318026102	A	Trim-oven door white
3	318026520	B	Trim-oven door black
4	5303302707	A	Glass-oven door white
4	3202420	B	Glass-oven door black
6	318073600	A B	Shield-air wash
7	5303308470	A B	Insulation oven door
9	318156604	A B	Liner-oven door
10	5303311217	A B	Screw, 1024X2 3/16-handle door
12	5303316768	A B	Seal-oven door lower
16	5303323828	A B	Glass-oven door
17	318162601	A B	Spacer-glass lower
18	318053204	A B	Seal-rope
20	318014301	A	Spacer-handle white
20	318014300	B	Spacer-handle black
23	5303325091	A B	Hinge-oven door
29	5303210003	A B	Spacer-handle mtg (2)
39	316091104	A	Handle-door white
39	316091103	B	Handle-door black
54	5303308456	A B	Screw, 8-18 X 17/32 (black)
59	3202113	A B	Button plug
60	5303316982	A B	Spacer-foam
*	5303308456	A B	Screw, 8-18 X 0.531



NOTE:

OVEN CONDITION:
ALL CONTROL SET TO "OFF"
OVEN DOOR CLOSED.

IMPORTANT:

COPPER WIRE MUST BE USED FOR
CONNECTIONS TO CONDUIT WIRE.

WARNING
DISCONNECT POWER
BEFORE SERVICING UNIT

TRACER WIRE:
WIRE COLOR NOTED FIRST, STRIPE NEXT.
EXAMPLE:
RED WIRE WITH WHITE STRIPE.
R/W - 10
COLOR WIRE NO.

WIRE	GAGE	TEMP °C	UL STYLE	CSA STYLE	CONTACTS	4 POSITIONS SELECTOR SWITCH			
						INDICATED DIAL POSITION			
						OFF	PREHEAT	BAKE	BROIL
4	18	150	3321	EXL-150	L1-1	0	X	CY	X
3	14	150	3321	EXL-150	L1-2	0	X	0	CY
2	14	200	3122	SEW-1	L2-3	0	X	X	0
1	16	150	3321	EXL-150	L2-4	0	X	X	X

LEGEND
X =CLOSED
0 =OPEN
CY=CYCLING

COLOR CODE			
BK	BLACK	P	PINK
BL	BLUE	PR	PURPLE
BR	BROWN	R	RED
C	COPPER	T	TAN
G	GREEN	V	VIOLET
GY	GRAY	W	WHITE
O	ORANGE	Y	YELLOW

318046004 Rev. B