

# ELECTRIC WALL OVEN INSTALLATION INSTRUCTIONS

**INSTALLATION AND SERVICE MUST BE PERFORMED BY A QUALIFIED INSTALLER.  
IMPORTANT: SAVE FOR LOCAL ELECTRICAL INSPECTOR'S USE.  
READ AND SAVE THESE INSTRUCTIONS FOR FUTURE REFERENCE.**

**⚠ WARNING FOR YOUR SAFETY:** Do not store or use gasoline or other flammable vapors and liquids in the vicinity of this or any other appliance.

Your new wall oven has been designed to fit a limited variety of cutout sizes to make the job of installing easier. The first step of your installation should be to measure your current cutout dimensions and compare them to the cutout dimensions chart below or next page for your model. You may find little or no cabinet work will be necessary.

**⚠ WARNING** Do not remove spacers (if equipped) on the side walls and/or on the back of the built-in oven. These spacers center the oven in the space provided. The oven must be centered to prevent excess heat buildup that may result in heat damage or fire.

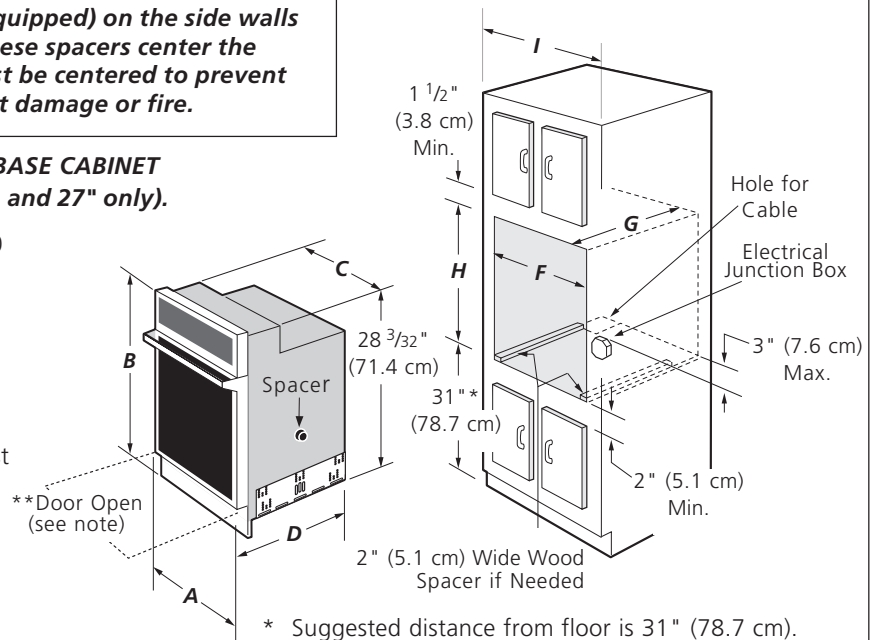
**DO NOT INSTALL THESE WALL OVENS IN A BASE CABINET WITH A COUNTERTOP ABOVE IT (Models 24" and 27" only).**

**NOTE:** Base must be capable of supporting 150 pounds (68 kg).

**\*\* NOTE:** Allow at least 19 <sup>3</sup>/<sub>8</sub>" (49.2 cm) clearance for door depth when it is open.

**NOTE:** Dimension **G** is critical to the proper installation of the built-in oven. If the oven decorative trim (ventilation) does not but against the cabinet, or if noise is heard on convection models, verify dimension **G** to assure it is according to the required dimension.

**NOTE:** For a cutout height greater than **H Min.** dimension add one 2" (5 cm) wide wood shim to each side of the opening under the appliance side rails.



\* Suggested distance from floor is 31" (78.7 cm). Minimum required distance is 18" (45.7 cm). Except for 30" models, minimum required distance is 4 1/2" (11.4 cm).

**Figure 1**  
**24", 27" AND 30" SINGLE OVENS**  
**(Double Ovens see Figure 2)**

PRODUCT DIMENSIONS								
MODEL	A	B	C (wrapper)	D				
24" (61 cm) Wall Oven	23 7/8 (60.6)	30 3/4 (78.1)	21 11/16 (55.1)	25 3/8 (64.5)				
27" (68.6 cm) Wall Oven	26 7/8 (68.2)	30 3/4 (78.1)	24 11/16 (62.7)	25 3/8 (64.5)				
30" (76.2 cm) Wall Oven	29 7/8 (75.9)	29 7/8 (75.9)	28 3/8 (72.1)	25 3/8 (64.5)				
CUTOUT DIMENSIONS AND CABINET WIDTH								
MODEL	Min.	F	Max.	G (Min.)	Min.	H	Max.	I
24" (61 cm) Wall Oven	22 (55.9)	22 1/4 (56.5)	23 1/2 (59.7)	23 1/2 (59.7)	28 1/8 (71.4)	30 1/8 (76.5)		24 (61) Min.
27" (68.6 cm) Wall Oven	24 7/8 (63.2)	25 1/4 (64.1)	23 1/2 (59.7)	23 1/2 (59.7)	28 1/8 (71.4)	30 1/8 (76.5)		27 (68.6) Min.
30" (76.2 cm) Wall Oven	28 1/2 (72.4)	29 (73.7)	24 (61)	24 (61)	28 1/4 (71.8)	28 7/8 (73.3)		30 (76.2) Min.

All dimensions are in inches (cm).

Some models are not available in Canada.

P/N 318201506 (0002) Rev. A

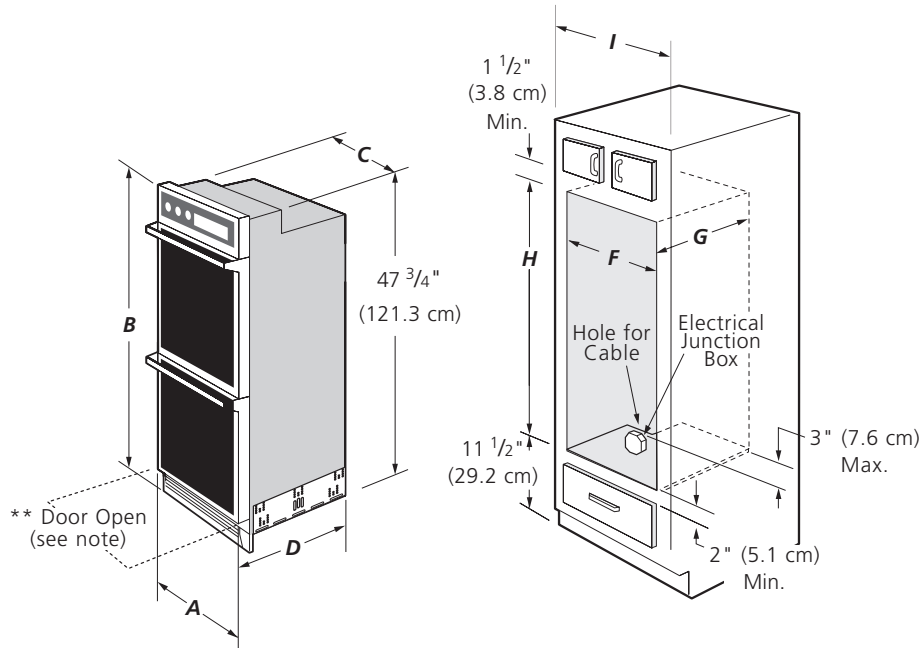
English – pages 1-8

Español – páginas 9-16

Français – pages 17-24

# ELECTRIC WALL OVEN INSTALLATION INSTRUCTIONS

**⚠ WARNING** Do not remove spacers (if equipped) on the side walls and/or on the back of the built-in oven. These spacers center the oven in the space provided. The oven must be centered to prevent excess heat buildup that may result in heat damage or fire.



**NOTE:** Dimension **G** is critical to the proper installation of the built-in oven. If the oven decorative trim (ventilation) does not but against the cabinet, or if noise is heard on convection models, verify dimension **G** to assure it is according to the required dimension.

**NOTE:** Base must be capable of supporting 300 pounds (136 kg).

**\*\* NOTE:** Allow at least 19 3/8" (49.2 cm) clearance for door depth when it is open.

\* Dimensions for stainless steel models.

**Figure 2**  
**27" AND 30" DOUBLE OVENS**  
**(Single Ovens see Figure 1)**

PRODUCT DIMENSIONS						
MODEL	A	B	C (wrapper)	D		
27" (68.6 cm) Wall Oven	26 7/8 (68.2) (*27 1/8 (68.9))	49 1/4 (125.1)	24 11/16 (62.7)	25 3/8 (64.5)		
30" (76.2 cm) Wall Oven	29 7/8 (75.9)	50 (127)	28 3/8 (72.1)	25 7/16 (64.6)		
CUTOUT DIMENSIONS AND CABINET WIDTH						
MODEL	Min. F	Max.	G (Min.)	Min. H	Max.	I
27" (68.6 cm) Wall Oven	24 7/8 (63.2)	25 1/4 (64.1)	23 1/2 (59.7)	48 (121.9)	49 7/8 (126.7)	27 (68.6) Min.
30" (76.2 cm) Wall Oven	28 1/2 (72.4)	29 (73.7)	24 (61)	49 1/8 (124.8)	49 3/4 (126.4)	30 (76.2) Min.

All dimensions are in inches (cm).

Some models are not available in Canada.

# ELECTRIC WALL OVEN INSTALLATION INSTRUCTIONS

## Important Notes to the Installer

1. Read all instructions contained in these installation instructions before installing the wall oven.
2. Remove all packing material from the oven compartments before connecting the electrical supply to the wall oven.
3. Observe all governing codes and ordinances.
4. Be sure to leave these instructions with the consumer.
5. Oven door may be removed to facilitate installation.
6. **THESE OVENS ARE NOT APPROVED FOR STACKABLE OR SIDE-BY-SIDE INSTALLATION.**

## Important Note to the Consumer

Keep these instructions with your Owner's Guide for future reference.

## IMPORTANT SAFETY INSTRUCTIONS

- **Be sure your wall oven is installed and grounded properly by a qualified installer or service technician.**
- **This wall oven must be electrically grounded in accordance with local codes or, in their absence, with the National Electrical Code ANSI/NFPA No.70- latest edition in United States, or with CSA Standard C22.1, Canadian Electrical Code, Part 1, in Canada.**

**⚠ WARNING** *Stepping, leaning or sitting on the door of this wall oven can result in serious injuries and can also cause damage to the wall oven.*

- **Never use your wall oven for warming or heating the room.** Prolonged use of the wall oven without adequate ventilation can be dangerous.

**⚠ WARNING** *The electrical power to the oven must be shut off while line connections are being made. Failure to do so could result in serious injury or death.*

### 1. Carpentry

Refer to figure 1 or 2 for the dimensions applicable to your appliance, and the space necessary to receive the oven. The oven support surface may be solid plywood or similar material, however the surface must be level from side to side and front to rear.

### 2. Electrical Requirements

These appliances must be supplied with the proper voltage and frequency, and connected to an individual, properly grounded branch circuit, protected by a circuit breaker or fuse, having amperage as noted on the rating plate (the rating plate is located on the oven frame).

## Observe all governing codes and local ordinances

1. A 3-wire or 4-wire single phase 120/208 or 120/240 Volt, 60 Hz AC only electrical supply is required on a separate circuit fused on both sides of the line (time-delay fuse or circuit breaker is recommended). DO NOT fuse neutral. The fuse size must not exceed the circuit rating of the appliance specified on the nameplate.

**NOTE:** Wire sizes and connections must conform with the fuse size and rating of the appliance in accordance with the American National Electrical Code ANSI/NFPA No. 70-latest edition, or with Canadian CSA Standard C22.1, Canadian Electrical Code, Part 1, and local codes and ordinances.

**⚠ WARNING** *An extension cord should not be used with this appliance. Such use may result in a fire, electrical shock, or other personal injury.*

2. These appliances should be connected to the fused disconnect (or circuit breaker) box through flexible armored or nonmetallic sheathed cable. The flexible armored cable extending from the appliance should be connected directly to the junction box. The junction box should be located as shown in figure 1 or 2 with as much slack as possible remaining in the cable between the box and the appliance, so it can be moved if servicing is ever necessary.
3. A suitable strain relief must be provided to attach the flexible armored cable to the junction box.

## ⚠ WARNING

### Electrical Shock Hazard

- **Electrical ground is required on this appliance.**
- **Do not connect to the electrical supply until appliance is permanently grounded.**
- **Disconnect power to the junction box before making the electrical connection.**
- **This appliance must be connected to a grounded, metallic, permanent wiring system, or a grounding connector should be connected to the grounding terminal or wire lead on the appliance.**
- **Do not use a gas supply line for grounding the appliance.**

**Failure to do any of the above could result in a fire, personal injury or electrical shock.**

# ELECTRIC WALL OVEN INSTALLATION INSTRUCTIONS

**CAUTION** Wait at least three (3) hours after receiving this built-in oven before switching the power on to prevent possible damage to the built-in oven control at power on.

## 3. Adjusting Oven Height

### A. Models with extension panel (some models only):

Remove and lay aside the lower vent decorative trim that is taped to the outer side panel of the oven. The decorative trim will be fastened to the lower front of the oven after it has been installed in the cabinet.

There is a 1 1/2" (3.8 cm) height adjustment on models with extension panel (see figure 3). With this adjustment and a 1/2" (1.2 cm) trim overhang, a unit can be installed in existing openings 48" (121.9 cm) to 50" or 49 7/8" (127 cm or 126.7 cm) high (for double oven) or 28 1/8" (71.4 cm) to 30 1/8" (76.5 cm) (for single oven).

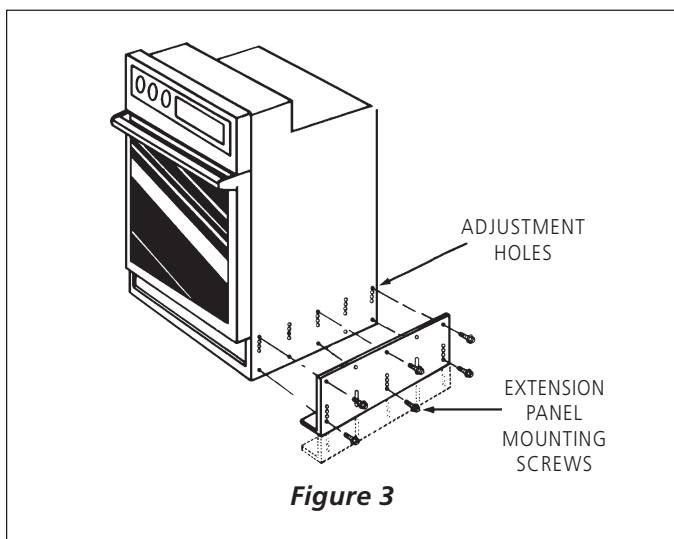


Figure 3

To adjust oven height:

1. Lay oven on its back. (see figure 4).
2. Remove the 6 screws that fasten the side extension panel to the bottom sides of the oven.
3. Move each panel down to the position that increases the oven height to fit your opening. Each position changes oven height approximately 1/2" (1.3 cm).
4. Line up the appropriate holes in the side extension panels and sides of the oven. Put back the 6 screws.
5. Proceed with oven installation. Return to upright position.

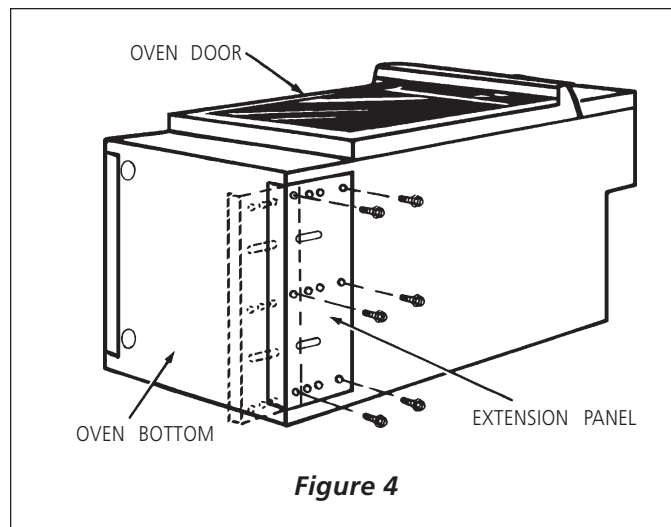


Figure 4

### B. Models without extension panel (some models only):

Oven height can be adjusted with 2" (5 cm) wide wood shims when needed to fit into an existing cabinet cutout opening, when cutout height exceeds **H Min.** dimension (see Figure 1 or 2).

## 4. Electrical connection

It is the responsibility and obligation of the consumer to contact a qualified installer to assure that the electrical installation is adequate and is in conformance with the National Electrical Code ANSI/NFPA No. 70-latest edition, or with CSA Standard C22.1, Canadian Electrical Code, Part 1, and local codes and ordinances.

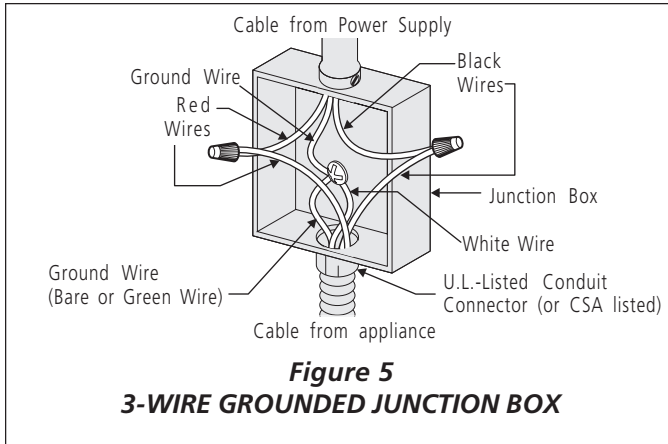
### Electrical ground is required on these appliances.

These appliances are equipped with a copper conductor flexible cable. If connection is made to aluminum house wiring, use only special connectors which are approved for joining copper and aluminum wires in accordance with National Electrical Code and local codes and ordinances.

These appliances are manufactured with a white neutral power supply wire and a frame connected green or bare copper ground wire.

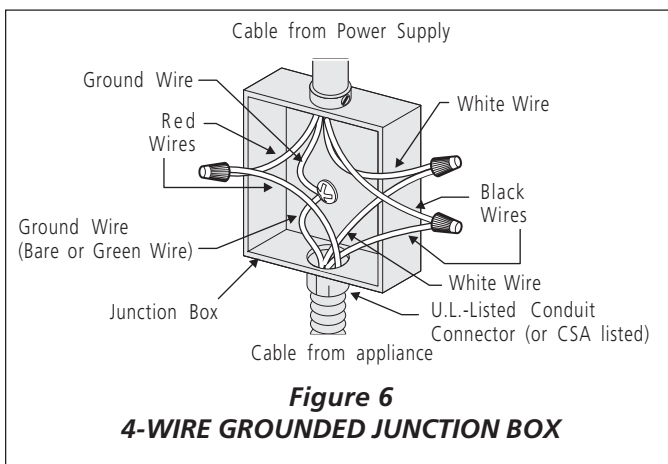
1. **If local codes permit connection of the frame grounding conductor to the neutral (white) wire**, connect the green (or bare copper) wire and the white wire from the appliance cable to the supply cable ground wire (white or bare) inside the junction box. Connect the remaining wires inside the junction box from the power supply cable to the matching colors of the appliance cable wires. (figure 5).

# ELECTRIC WALL OVEN INSTALLATION INSTRUCTIONS



**⚠ WARNING** Improper connection of aluminum house wiring to copper leads can result in a short circuit or fire. Use only connectors designed for joining copper to aluminum, and follow the manufacturer's recommended procedure closely.

2. If used in mobile homes or if local codes DO NOT permit connection of the frame grounding conductor to the neutral (white) wire, separate the white and bare copper ground wires that extend out of the end of the supply cable of the appliance. Connect the white wire from supply cable to the neutral white wire in the junction box. Connect the black and red wires from the supply cable to the matching color wires in the junction box. The bare wire must now be used to ground the appliance in accordance with local electrical codes. Connect the bare copper ground wire to the grounded lead in the service panel. DO NOT ground to a gas supply pipe. DO NOT connect to electrical power supply until appliance is permanently grounded. Connect the ground wire before turning on the power (figure 6).



**⚠ CAUTION** If connecting to a 4-wire electrical system (mobile homes), the appliance frame **MUST NOT** be connected to the neutral wire of the 4-wire electrical system.

**NOTE TO ELECTRICIAN:** The armored cable leads supplied with the appliance are CSA-recognized for connection to larger gauge household wiring. The insulation of the leads is rated at temperatures much higher than temperature rating of household wiring. The current carrying capacity of the conductor is governed by the temperature rating of the insulation around the wire, rather than the wire gauge alone.

**Do not lift the oven by the door handle.**

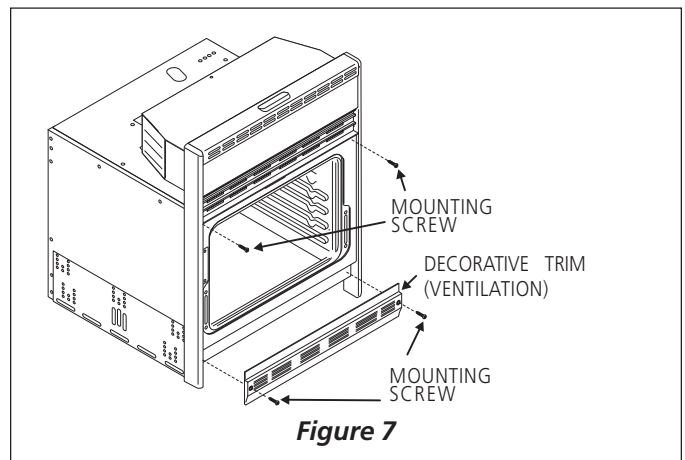
## 5. Cabinet Installation

### A. 24" and 27", Single and Double Ovens

Insert appliance into cutout. Use the screws provided to fasten the front frame of the appliance to the cabinet. The mounting holes in the front frame of appliance may be used as a template to locate the appliance mounting screw holes.

#### To fasten the appliance to the cabinet:

1. Line up the 2 mounting holes on the decorative trim (ventilation) (taped to the oven side panel) with the lower mounting holes on each side of the oven frame, below the oven door (see figure 7).
2. Use 2 screws from the miscellaneous parts bag to secure the decorative trim (ventilation) and appliance to the cabinetry.
3. Use the remaining 2 screws for mounting the appliance in the upper two mounting holes on each side of the oven frame, above the door.



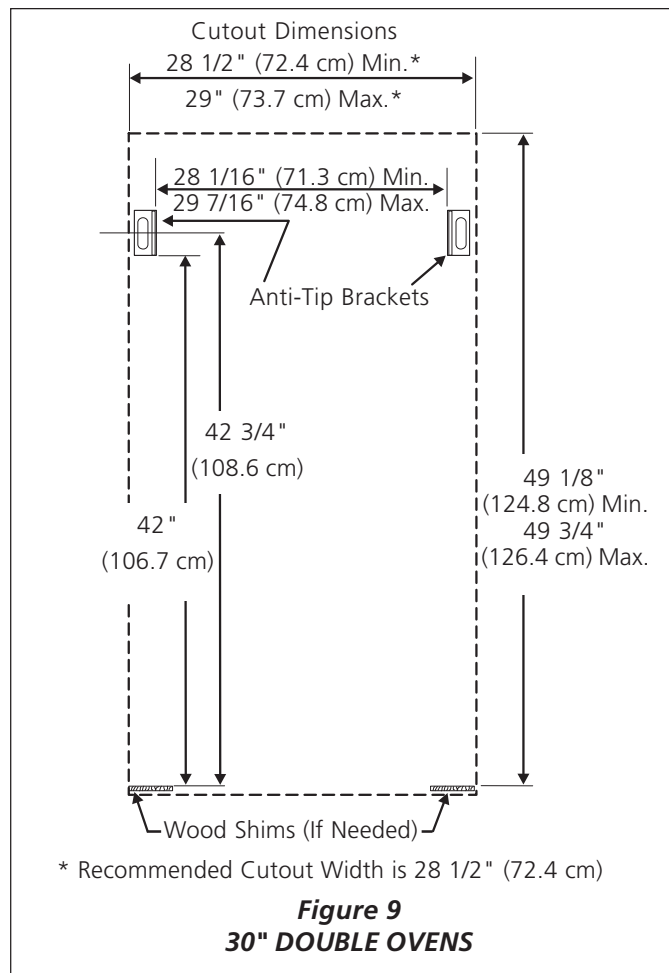
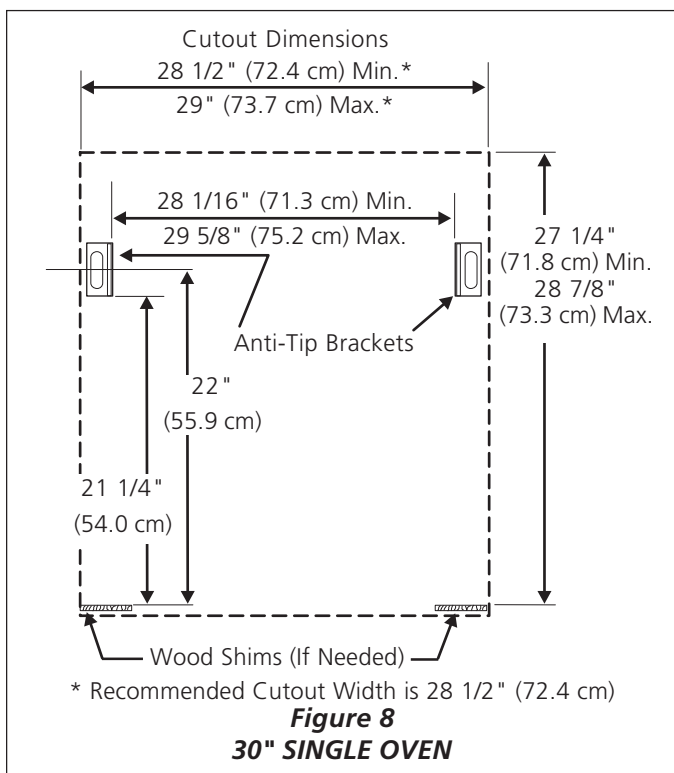
# ELECTRIC WALL OVEN INSTALLATION INSTRUCTIONS

## B. 30", Single and Double Ovens

**⚠ WARNING** *The wall oven can tip when the door is open. The anti-tip brackets supplied with the wall oven must be attached to the cabinet and the appliance to prevent tipping of the wall oven and injury to persons.*

### Anti-Tip Brackets Installation Instructions

1. Unpack the wall oven and find the 2 anti-tip screws included in the literature package. The door may be removed to facilitate handling (see the Owner's Guide for instructions).
2. The anti-tip brackets are temporarily installed under the decorative side trims of the oven when shipped (see Figure 8 or 9). Remove the anti-tip brackets from the unit side frame using a No. 2 Robertson® screw driver (square drive preferred, however a No. 2 Phillips® or Quadrex® screw driver can also be used). Open the door to remove the screws, located at the upper end of the side trim.
3. Insert the unit into the cabinet opening. Slide unit inward leaving  $1 \frac{3}{8}$ " (3.5 cm) clearance between the oven decorative trim and cabinet. Pull the armored cable through the hole in the floor and toward the junction box while moving the appliance inward. Use the second set of holes in the side frame of the unit as a guide to find the position of the anti-tip brackets on the sides of the cabinet opening. Mark the position of the anti-tip brackets as shown in Figure 8 or 9.



4. Pull out the oven approximately 1 foot (30.5 cm) away from the cabinet. Reposition each bracket on the cabinet and drill  $\frac{1}{8}$ " pilot holes. Fasten the brackets in place using the 2 screws supplied (#10 x  $1 \frac{1}{4}$ " long).

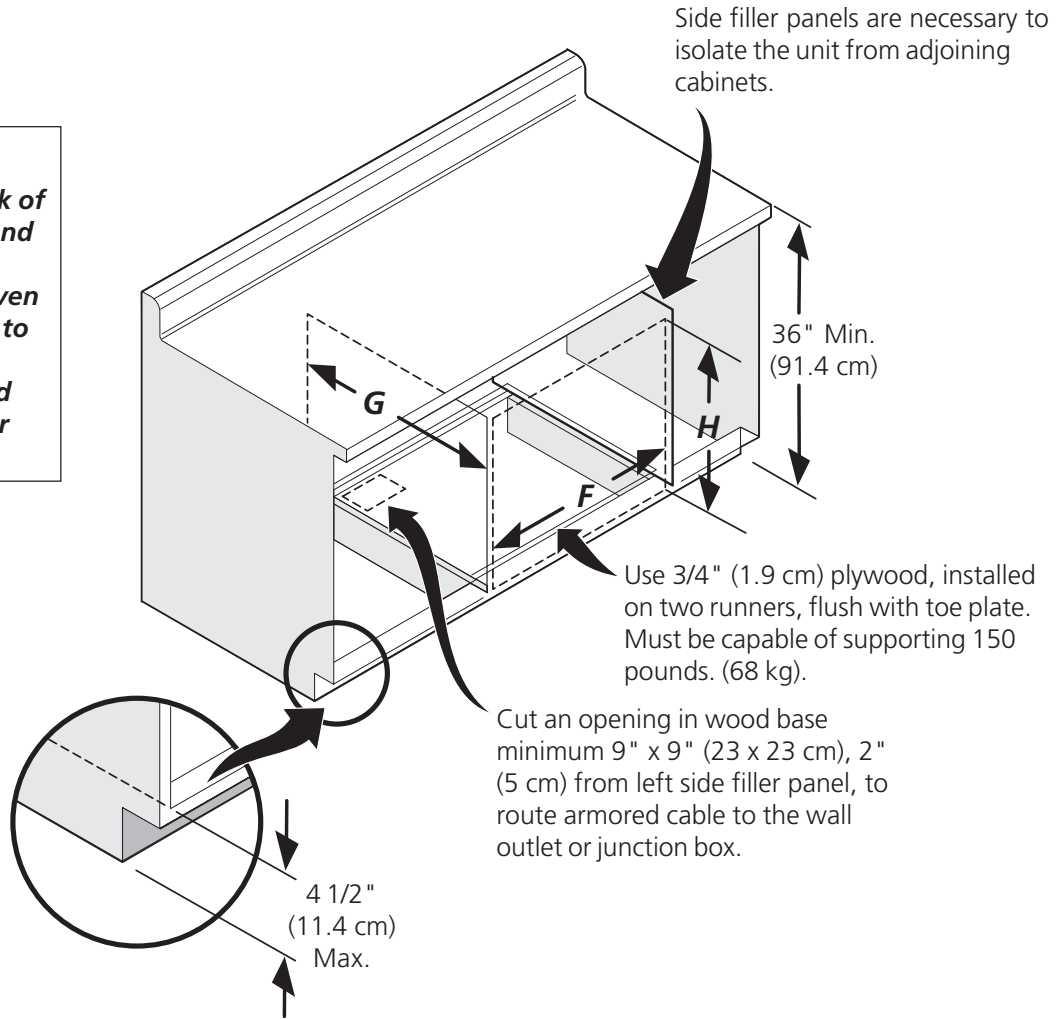
If needed, add wood spacers at the anti-tip bracket locations to reduce the cabinet opening to  $28 \frac{1}{2}$ " (72.4 cm).

Now push the unit in and against the cabinet, then attach the unit to the anti-tip brackets using the 2 screws removed earlier from the side frame.

# ELECTRIC WALL OVEN INSTALLATION INSTRUCTIONS

**⚠ WARNING**

To reduce the risk of personal injury and tipping the wall oven, the wall oven must be secured to the cabinet(s) by properly installed anti-tip screws or brackets.



CUTOUT DIMENSIONS			
	F. WIDTH	G. DEPTH	H. HEIGHT
30" (76.2 cm) Wall Oven	28 1/2" (72.4 cm) Min. 29" (73.7 cm) Max.	24" (61 cm) Min.	28 1/4" (71.8 cm) Min. 28 7/8" (73.3 cm) Max.

**Figure 10 – TYPICAL UNDER COUNTER INSTALLATION OF AN ELECTRIC BUILT-IN OVEN  
30" SINGLE WALL OVEN ONLY**

# ELECTRIC WALL OVEN INSTALLATION INSTRUCTIONS

## 6. Leveling the Wall Oven

1. Install an oven rack in the center of the upper oven (see Figure 11).
2. Place a level on the rack. Take 2 readings with the level placed diagonally in one direction and then the other. Use wood shims under the wall oven to level if necessary.
3. Repeat in the lower oven if you have a double cavity wall oven. If the level indicates that the rack is not level, use wood shims to reach a compromise for both ovens.

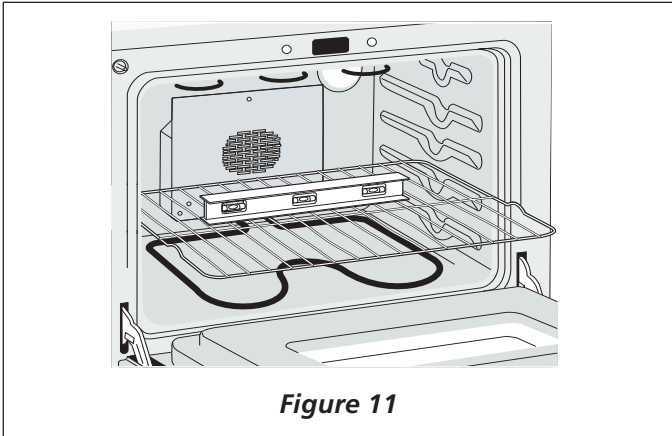


Figure 11

## 7. Checking Operation

Some wall ovens model have **Manually Operated Control Knobs** to set the clock and the oven bake, broil convection (some models) or clean functions. Refer to the "Owner's Guide" or to the "Oven Control Guide" supplied in the literature package and check all controls for correct operation.

If your model is equipped with an **Electronic Oven Control**. Each of the functions has been factory checked before shipping. However, it is suggested that you verify the operation of the electronic oven controls once more. Refer to the Owner's Guide or to the Electronic Oven Control Guide for operation. Follow the instructions for the Clock, Timer, Preheat, Bake, Broil Convection (some models) and Clean functions.

**Bake**—After setting the oven to 350°F/177°C for baking, the lower element in the oven should become red.

**Broil**—When the oven is set to BROIL, the upper element in the oven should become red.

**Clean**—When the oven is set for a self-cleaning cycle, the upper element should become red during the preheat portion of the cycle. After reaching the self-cleaning temperature, the lower element will become red.

**Convection (some models)**—When the oven is set for a convection baking or roasting, both elements cycle on and off alternately and the convection fan will turn. The convection fan will stop turning when the oven door is opened during convection baking or roasting.

**IMPORTANT NOTE:** A fan inside the upper rear part above the oven (some models) provides additional cooling of the oven electrical and electronic components. The fan will continue to run after the oven has been operating at high temperatures.

### Model and Serial Number Location

The serial plate is located along the side of the oven door in the open position.

When ordering parts for or making inquires about your oven, always be sure to include the model and serial numbers and a lot number or letter from the serial plate on your oven.

### Before You Call for Service

Read the Avoid Service Checklist and operating instructions in your Owner's Guide. It may save you time and expense. The list includes common occurrences that are not the result of defective workmanship or materials in this appliance.

Refer to the warranty in your Owner's Guide for our toll-free service number and address. Please call or write if you have inquiries about your product and/or need to order parts.



# INSTRUCCIONES DE INSTALACIÓN PARA EL HORNO ELÉCTRICO DE PARED

**LA INSTALACIÓN Y EL SERVICIO DEBE DE HACERLOS UN INSTALADOR CALIFICADO. IMPORTANTE: GUARDE ESTAS INSTRUCCIONES PARA USO DEL INSPECTOR ELÉCTRICO LOCAL. LEA Y GUARDE ESTAS INSTRUCCIONES PARA FUTURAS REFERENCIAS.**

**ADVERTENCIA** PARA SU SEGURIDAD: No almacene ni utilice gasolina u otros vapores y líquidos inflamables en la proximidad de este o de cualquier otro artefacto.

Su nuevo horno de pared ha sido diseñado para adaptarse a un número diverso de huecos con distintas medidas, y hacer el trabajo de instalación más fácil. El primer paso para su instalación debe de ser el de medir las dimensiones de la apertura actual y compararlas con las que se indican en el cuadro de dimensiones del hueco en el gráfico a continuación, para su modelo. Puede ocurrir que no sea casi necesario hacer trabajo de carpintería.

**ADVERTENCIA** No quite los separadores (si los hay) de los muros laterales o/y de la parte posterior del horno empotrado. Estos espaciadores centran el horno en el espacio provisto. El horno debe estar centrado para prevenir una concentración excesiva de calor que podría resultar en daños por el calor o un incendio.

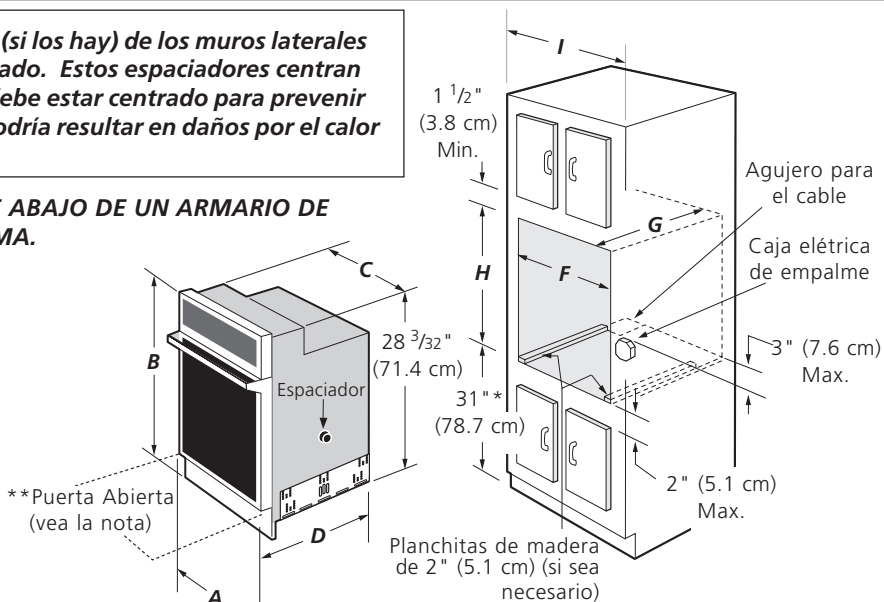
**NO INSTALE ESTE HORNO EN LA PARTE DE ABAJO DE UN ARMARIO DE COCINA QUE TIENE UN MOSTRADOR ENCIMA. (solamente los modelos de 24" y de 27")**

**NOTA** : La basa debe poder sostener 150 libras (68 kg.)

**\*\* NOTA**: Deje por lo menos 19 3/8" (49.2 cm) de espacio libre para la profundidad de la puerta cuando esta abierta.

**NOTA**: La dimensión **G** está primordial para instalar correctamente el horno de pared. Si el adorno del armazón del horno no topa contra el armario, o si escuche un ruido, verifique si la dimensión **G** está en conformidad con la dimensión requerida.

**NOTA**: Para un recortado con altura de más de **H Min.** dimensión ponga un espaciador de madera de 2" (5 cm) en cada lado de la abertura debajo de las bordas laterales del artefacto.



\*\* Puerta Abierta (vea la nota)

\* Distancia sugerida desde el suelo es 31" (78.7 cm). La distancia mínima requerida es 18" (45.7 cm). Excepto para modelo de 30", la distancia mínima requerida es 4 1/2" (11.4 cm).

**Figura 1**  
**MODELOS CON UN SOLO HORNO DE 24", 27" Y 30"**  
**(Modelos de horno doble vea la Figura 2)**

DIMENSIONES DEL APARATO								
MODELO	A	B	C (cubierta)	D				
Horno de pared 24" (61 cm)	23 7/8 (60.6)	30 3/4 (78.1)	21 11/16 (55.1)	25 3/8 (64.5)				
Horno de pared 27" (68.6 cm)	26 7/8 (68.2)	30 3/4 (78.1)	24 11/16 (62.7)	25 3/8 (64.5)				
Horno de pared 30" (76.2 cm)	29 7/8 (75.9)	29 7/8 (75.9)	28 3/8 (72.1)	25 3/8 (64.5)				
DIMENSIONES DEL HUECO Y ANCHURA DEL ARMARIO								
MODELO	Min.	F	Max.	G (Min.)	Min.	H	Max.	I
Horno de pared 24" (61 cm)	22 (55.9)	22 1/4 (56.5)	23 1/2 (59.7)	28 1/8 (71.4)	30 1/8 (76.5)	24 (61) Min.		
Horno de pared 27" (68.6 cm)	24 7/8 (63.2)	25 1/4 (64.1)	23 1/2 (59.7)	28 1/8 (71.4)	30 1/8 (76.5)	27 (68.6) Min.		
Horno de pared 30" (76.2 cm)	28 1/2 (72.4)	29 (73.7)	24 (61)	28 1/4 (71.8)	28 7/8 (73.3)	30 (76.2) Min.		

Todas las dimensiones se dan en pulgadas (cm).

Solamente algunos modelos están disponibles en Canadá.

P/N 318201506 (0002) Rev. A

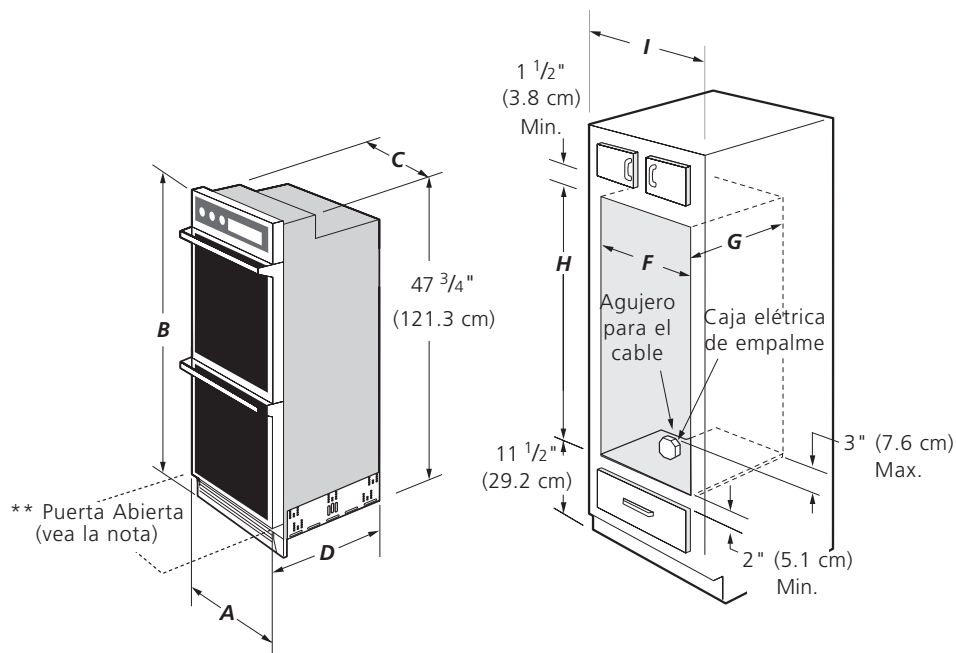
English – pages 1-8

Español – páginas 9-16

Français – pages 17-24

# INSTRUCCIONES DE INSTALACIÓN PARA EL HORNO ELÉCTRICO DE PARED

**⚠ ADVERTENCIA** No quite los separadores (si los hay) de los muros laterales o/y de la parte posterior del horno empotrado. Estos espaciadores centran el horno en el espacio provisto. El horno debe estar centrado para prevenir una concentración excesiva de calor que podría resultar en daños por el calor o un incendio.



**NOTA:** La dimensión **G** está primordial para instalar correctamente el horno de pared. Si el adorno del armazón del horno no topa contra el armario, o si escuche un ruido, verifique si la dimensión **G** está en conformidad con la dimensión requerida.

**NOTA:** La basa debe poder sostener 300 libras (136 kg.)

**\*\* NOTA:** Deje por lo menos 19 3/8" (49.2 cm) de espacio libre para la profundidad de la puerta cuando esta abierta.

\* Para el modelo de acero inoxidable.

**Figura 2**  
**MODELOS CON UN HORNO DOBLE DE 27" Y 30"**  
**(Modelos de horno doble vea la Figure 1)**

DIMENSIONES DEL APARATO						
MODELO	A		B	C (cubierta)		D
Horno de pared 27" (68.6 cm)	26 7/8 (68.2) (*27 1/8 (68.9))		49 1/4 (125.1)	24 11/16 (62.7)		25 3/8 (64.5)
Horno de pared 30" (76.2 cm)	29 7/8 (75.9)		50 (127)	28 3/8 (72.1)		25 7/16 (64.6)
DIMENSIONES DEL HUECO Y ANCHURA DEL ARMARIO						
MODELO	Min.	F	Max.	G (Min.)		Min. H Max.
Horno de pared 27" (68.6 cm)	24 7/8 (63.2)	25 1/4 (64.1)	23 1/2 (59.7)	48 (121.9)		49 7/8 (126.7)
Horno de pared 30" (76.2 cm)	28 1/2 (72.4)	29 (73.7)	24 (61)	49 1/8 (124.8)		49 3/4 (126.4)

Todas las dimensiones se dan en pulgadas (cm).

Solamente algunos modelos están disponibles en Canadá.

## Notas importantes para el instalador

1. Lea todas las instrucciones contenidas en este manual antes de instalar el horno.
2. Saque todo el material usado en el embalaje del compartimiento del horno antes de conectar el suministro eléctrico o de gas a la estufa.
3. Observe todos los códigos y reglamentos pertinentes.
4. Deje estas instrucciones con el consumidor.
5. La puerta del horno se puede quitar para facilitar la instalación.
6. **ESTE HORNO NO ESTÁ APROBADO PARA LA INSTALACIÓN DE RIMERO O DA LADO A LADO.**

## Nota importante al consumidor

Conserve estas instrucciones y el manual del usuario para referencia futura.

## INSTRUCCIONES IMPORTANTES DE SEGURIDAD

- **Asegúrese de que su horno a pared sea instalada y puesta a tierra de forma apropiada por un instalador calificado o por un técnico de servicio.**
- **Este horno de pared debe ser eléctricamente puesta a tierra de acuerdo con los códigos locales o, en su ausencia, con el Código Eléctrico Nacional ANSI/NFPA No. 70—última edición en los Estados Unidos, o el Código Eléctrico Canadiense CSA Standard C22.1, Part 1, en Canadá.**

**⚠ ADVERTENCIA** *Pisar, apoyarse, o sentarse sobre la puerta de este horno a pared puede resultar en serias lesiones y también puede causar daños al horno a pared.*

- **Nunca use su horno a pared para calentar el cuarto.** El uso prolongado de la estufa sin la ventilación adecuada puede ser peligroso.

**⚠ ADVERTENCIA** *La corriente eléctrica al horno debe estar apagada mientras se hacen las conexiones de líneas. Si no se apaga, daños serios o la muerte podrían resultar.*

### 1. Carpintería

Consulte las Figuras 1 y 2 para conocer las dimensiones pertinentes al modelo de su horno y al espacio necesario en el que poner el horno. La superficie donde se va a apoyar el horno debe de ser de madera contrachapada sólida u otro material similar y, sobre todo, la superficie tiene que estar a nivel, de lado a lado, y de atrás hacia adelante.

### 2. Requisitos Eléctricos

Este artefacto debe ser suministrado con el voltaje y la frecuencia adecuados, y conectado a un circuito individual correctamente puesto a tierra, protegido por un cortacircuito o un fusible con el amperio anotado en la placa de calificación (la placa se encuentra en el armazón del horno).

**Cumpla con todos los códigos en vigor y todos los reglamentos locales.**

1. Para el suministro eléctrico solamente se necesita corriente con frecuencia de 60 Hz AC y fase única de 120/208 o 120/240 voltios suministrada por cable de 3 o de 4 alambres en un circuito separado con fusibles en ambos lados de la línea (se recomienda un fusible de tiempo retardado o un cortacircuito). NO ponga un fusible en el hilo neutro. El tamaño del fusible no tiene que exceder la capacidad del circuito necesario para el electrodomésticos y la cual se especifica en la placa.

**NOTA:** El tamaño de los cables y de las conexiones debe de estar en conformidad con el tamaño del fusible y con la capacidad del electrodomésticos y de acuerdo con el Código Eléctrico Nacional ANSI/NFPA No. 70 - última edición, o el Código Eléctrico Canadiense CSA Standard C22.1, Part 1, y los códigos y reglamentos locales.

**⚠ ADVERTENCIA** *No se debe usar una alargadora para enchufar este electrodoméstico. Esto podría resultar en un incendio, un choque eléctrico u otro tipo de daño personal.*

2. Este electrodoméstico debe conectarse a la caja de fusibles (o de cortacircuito), por medio de un cable blindado flexible o un cable con forro no metálico. El cable blindado flexible que va desde el electrodoméstico debe de estar conectado directamente a la caja de empalme. La caja de empalme debe de estar localizada en el lugar que se indica en la Figura 1 o 2, dejando tanto exceso de cable como sea posible entre la caja y el electrodoméstico, de forma que así el electrodoméstico se pueda mover fácilmente, si fuera necesario para hacer una reparación.
3. Se debe de usar un conector que reduzca la tirantez de una forma adecuada para unir el cable blindado flexible a la caja de empalme.

## ⚠ ADVERTENCIA

### Riesgo de choque eléctrico

- **Una puesta a tierra se requiere en este aparato.**
- **No lo conecte a la corriente eléctrica hasta que el aparato haya sido puesto a tierra.**
- **Desconecte la corriente eléctrica a la caja de empalmes antes de hacer la conexión eléctrica.**
- **Este aparato debe estar conectado con un sistema de alambres puesto en tierra, metálico y permanente o un conector de puesta a tierra debe conectarse al terminal de puesta a tierra o el alambre conductor en el aparato.**
- **No utilice el suministro de gas para hacer la puesta a tierra.**

**La falta de hacer cualquier de las cosas arriba podría resultar en un incendio, choque eléctrico o lesiones personales.**

# INSTRUCCIONES DE INSTALACIÓN PARA EL HORNO ELÉCTRICO DE PARED

**⚠ AVISO** Cuando utilice su horno empotrado por la primera vez, espere por lo menos tres (3) horas antes de conectarlo al suministro eléctrico. Los controles eléctricos pueden ser dañados al conectar el horno a la potencia eléctrica.

## 3. Ajustando la Altura del Horno

### A. Modelos con panel de extensión (solamente algunos modelos):

Retire y deje a un lado la rejilla que está sujeta con cinta adhesiva al panel exterior del horno. Esta rejilla se sujetará a la parte baja frontal del horno, después de que este se haya instalado en el armario.

En estos modelos hay 1 1/2" (3.8 cm) de ajuste en la altura (vea la figura 3). Con este ajuste y 1/2" (1.2 cm) del borde que sobresale, el electrodoméstico puede instalarse en huecos de 48" (121.9 cm) a 50" (127 cm) o 49 7/8" (126.7 cm) de alto (para horno doble) o de 28 1/8" (71.4 cm) a 30 1/8" (76.5 cm) (para horno sencillo).

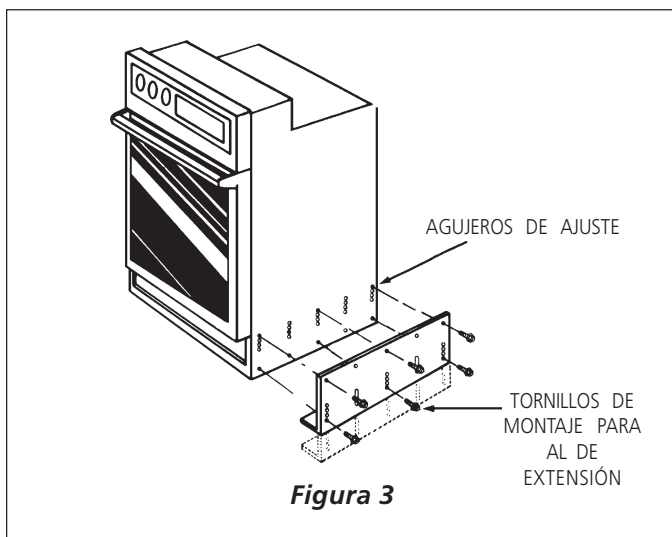


Figura 3

Para ajustar la altura del horno:

1. Ponga el horno apoyado en la parte trasera. (vea la figura 4)
2. Quite los 6 tornillos que sujetan el panel de extensión lateral a la parte inferior de los lados del horno.
3. Mueva cada panel hacia abajo, hasta la posición que aumenta la altura del horno para que se adapte a la apertura que usted tiene. Cada posición cambia la altura del horno 1/2 pulgada (1.3 cm) aproximadamente.
4. Alinee los agujeros apropiados en los paneles de extensión y en los lados del horno. Vuelva a poner los 6 tornillos.
5. Proceda con la instalación del horno. Vuelva a poner el horno en posición vertical posición.

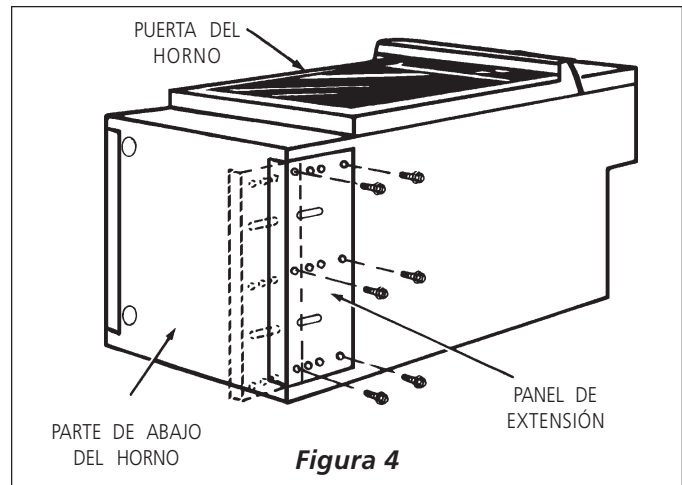


Figura 4

### B. Modelos sin panel de extensión (solamente algunos modelos):

La altura del horno puede ser ajustada usando espaciadores de madera de 2" (5 cm) de ancho, cuando sea necesario para adecuarlo a una apertura existente en un gabinete, y cuando la altura de esta apertura exceda la **H Min.** dimensión (vea la figura 1 o 2).

## 4. Conexión eléctrica

El usuario tiene la responsabilidad personal y obligación de utilizar un instalador calificado, para asegurar que la instalación eléctrica está hecha de forma adecuada y está conforme con el Código Eléctrico Nacional ANSI/NFPA No. 70-última edición en los Estados Unidos, o el Código Eléctrico Canadiense CSA Standard C22.1, Part 1, en Canadá.

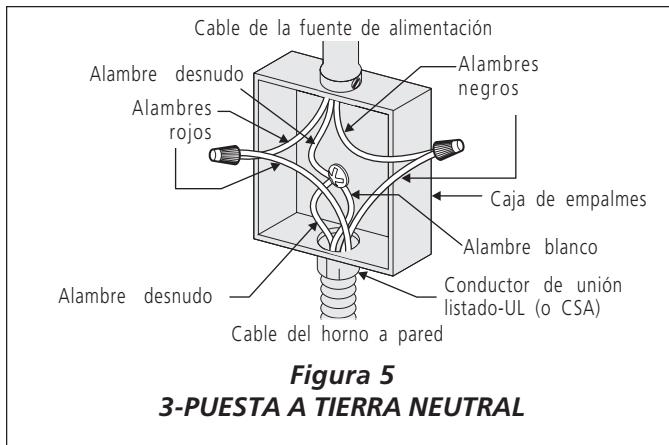
**En este electrodoméstico se necesita un cable de toma a tierra.**

Este electrodoméstico viene equipado con un cable de conexión de cobre. Si esto tuviera que conectarse a los cables de aluminio de una casa, use solamente los conectados especiales aprobados para empalmes de cobre y aluminio, de acuerdo con el Código Eléctrico Nacional y los reglamentos y códigos locales.

Este electrodoméstico se ha fabricado con un cable para el suministro de energía que tiene un alambre neutro de color blanco y un alambre pelado de toma a tierra conectado al armazón.

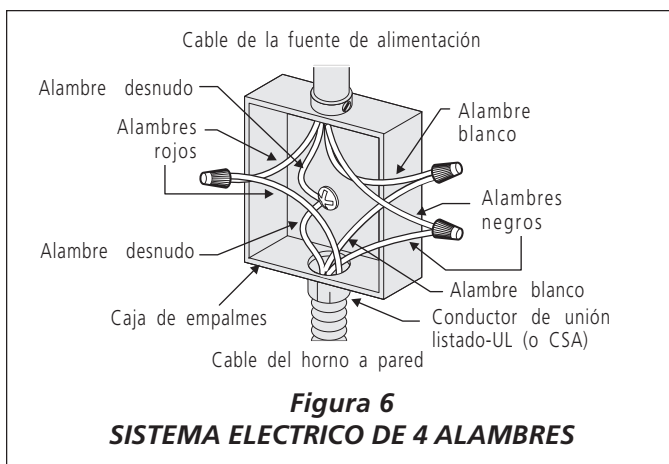
1. **Si los códigos locales permiten la conexión del conductor de toma a tierra del armazón al neutro (alambre blanco)**, una el alambre pelado y el alambre blanco del cable de suministro de energía del electrodoméstico juntos al cable neutro (blanco) en la caja de empalme. Conecte los alambres restantes desde el cable de suministro de energía, emparejando los colores con los de los cables en la caja de empalme (figura 5).

# INSTRUCCIONES DE INSTALACIÓN PARA EL HORNO ELECTRICO DE PARED



**ADVERTENCIA** Una conexión incorrecta del alambrado de aluminio con los conductores de cobre puede resultar en un cortacircuito o incendio. Use solamente los conectores diseñados para juntar el cobre con el aluminio y siga exactamente el procedimiento recomendado por el fabricante.

2. Si este horno se va a usar en una casa sobre ruedas o si los códigos locales NO permiten que el armazón este conectado al neutro (blanco) de la toma a tierra, separe el alambre blanco y el de toma a tierra pelado que salen del final del cable de suministro de energía al electrodomestico. Conecte el alambre blanco del cable de suministro de energía al alambre blanco neutro en la caja de empalme. Conecte el alambre negro y el alambre rojo del cable de suministro de energía, emparejando los colores con los alambres correspondientes en la caja de empalme. El alambre pelado debe de usarse ahora para la toma a tierra del electrodomestico de acuerdo con los códigos eléctricos locales. Conecte el alambre de cobre pelado de toma a tierra al alambre de toma a tierra en el panel de servicio. NO conecte la toma a tierra a una tubería de suministro de gas. NO conecte el suministro de energía eléctrica hasta que el electrodomestico tenga su toma a tierra instalada permanentemente. Conecte el alambre de toma a tierra antes de enchufar por primera vez el electrodomestico (figura 6).



**PRECAUCION** Si está conectado a un sistema eléctrico de 4 alambres (casa móvil), el armazón del electrodomestico NO TIENE QUE estar conectado al alambre neutro del sistema eléctrico de 4 alambres.

**NOTA AL ELECTRICISTA:** Los conductores de cable blindados provistos con este artefacto son aprobados por UL para la conexión al alambrado de casa de un calibre mayor. El aislamiento de los conductores está calificado para temperaturas más altas que las del alambrado de la casa. La capacidad de corriente del conductor está gobernada por la calificación de la temperatura del aislamiento alrededor del alambre en vez de solamente el calibre del alambre.

No levante el horno por la manija de la puerta.

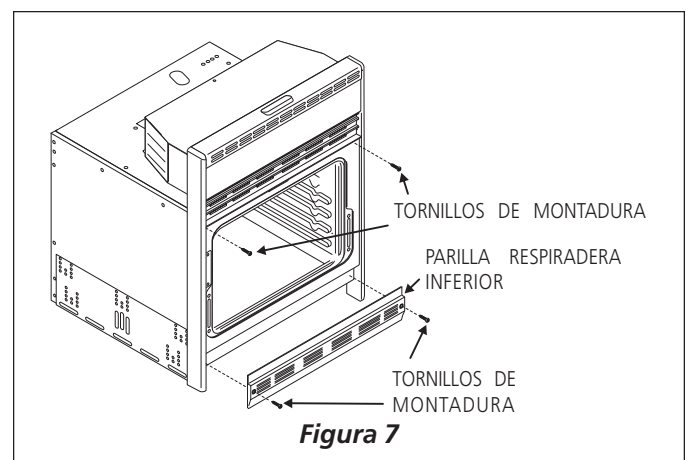
## 5. Instalación del Gabinete

### A. 24" y 27", Modelos con un solo horno y un horno doble

Introduzca el artefacto en el recortado. Los tornillos están provistos para fijar el armazón frontal del artefacto al gabinete. Los agujeros de montadura en el armazón frontal pueden usarse como modelo para localizar los agujeros para los tornillos de montadura del artefacto.

**Para fijar el artefacto a los gabinetes:**

1. Alínee los dos agujeros de montadura en la parrilla con los agujeros de montadura más bajos en cada lado del armazón del horno debajo de la puerta del horno (Figura 7).
2. Use dos tornillos de la bolsa de piezas misceláneas para fijar la parrilla y el artefacto a los gabinetes.
3. Use los 2 tornillos restantes en los 2 agujeros de montadura arriba en cada lado del armazón del horno, encima de la puerta.



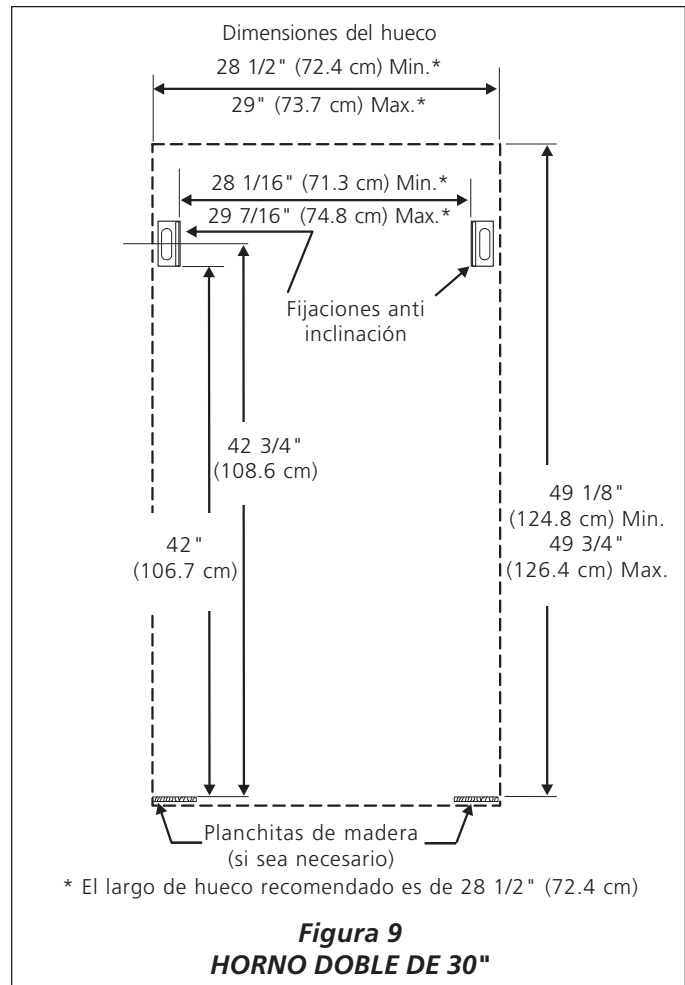
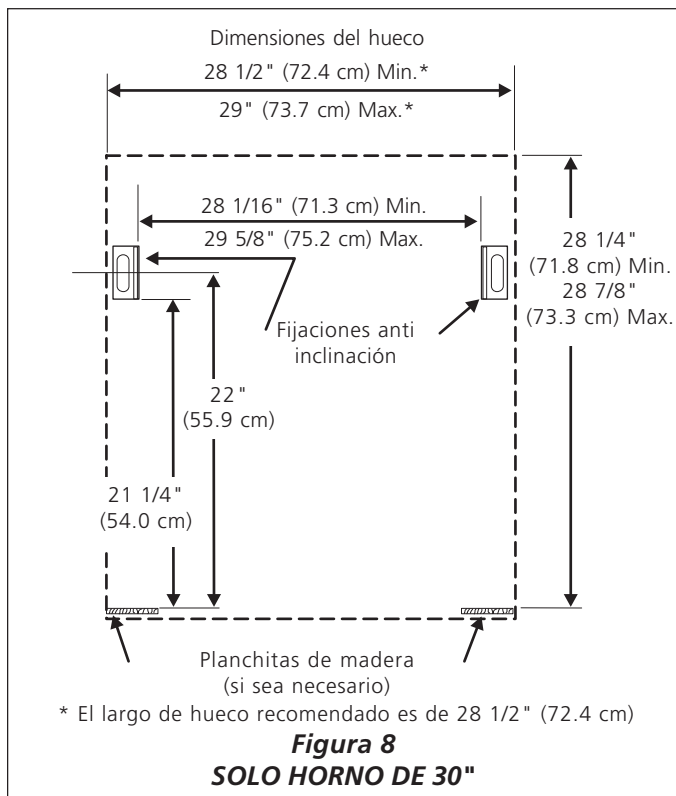
# INSTRUCCIONES DE INSTALACIÓN PARA EL HORNO ELECTRICO DE PARED

## B. 30", Modelos con un solo horno y de horno doble

**⚠️ ADVERTENCIA** El horno de pared puede inclinarse cuando la puerta esta abierta. Las fijaciones anti inclinación que vienen con el horno de pared deben de estar ajustadas al armario y al aparato para evitar que el horno de pared se incline y ocasione quemaduras graves.

### Instrucciones de instalación de las fijaciones anti inclinación

1. Desembale el horno de pared y encuentre los dos tornillos anti inclinación incluidos con el paquete de información. Es posible de retirar las puertas para facilitar la manipulación (vea las instrucciones en el Manual del Usuario).
2. Cuando de fabrica viene el aparato, las fijaciones anti inclinación han sido provisionalmente instaladas debajo de los adornos contramarcos al lado del horno (vea la Figura 8 o 9). Remueva las fijaciones anti inclinación del armazón del aparato, usando un destornillador con cabeza Robertson® no. 2 (cabeza cuadrada preferente, pero puede utilizar tambien un destornillador con cabeza Phillips® no. 2 o Quadrex®). Abre la puerta superior para retirar los tornillos ubicados a la extremidad superior al lado del contramarco.



3. Coloque el electrodomestico en el hueco. Deslice el aparato hacia adentro, dejando 1 3/8" (3.5 cm) de espacio entre el adorno contramarco y el armario. Pase el cable de cobre blindado a través el orificio en el suelo y hacia la caja de empalme, al mismo tiempo que empuje el aparato hacia adentro. Utilice el segundo juego de orificios al lado del armazón del aparato, como guía para encontrar la posición de las fijaciones anti inclinación a los lados de la abertura del armario. Marque la posición de las fijaciones anti inclinación como se muestra en la Figura 8 o 9.
4. Saque el horno aproximadamente 1 pie (30.5 cm) fuera del pared posterior del armario. Coloque cada fijación sobre el armario y perforo orificios pilotos de 1 1/8". Cierre las fijaciones in sitio, usando los dos tornillos provistos (no. 10 x 1 1/4 de largo).

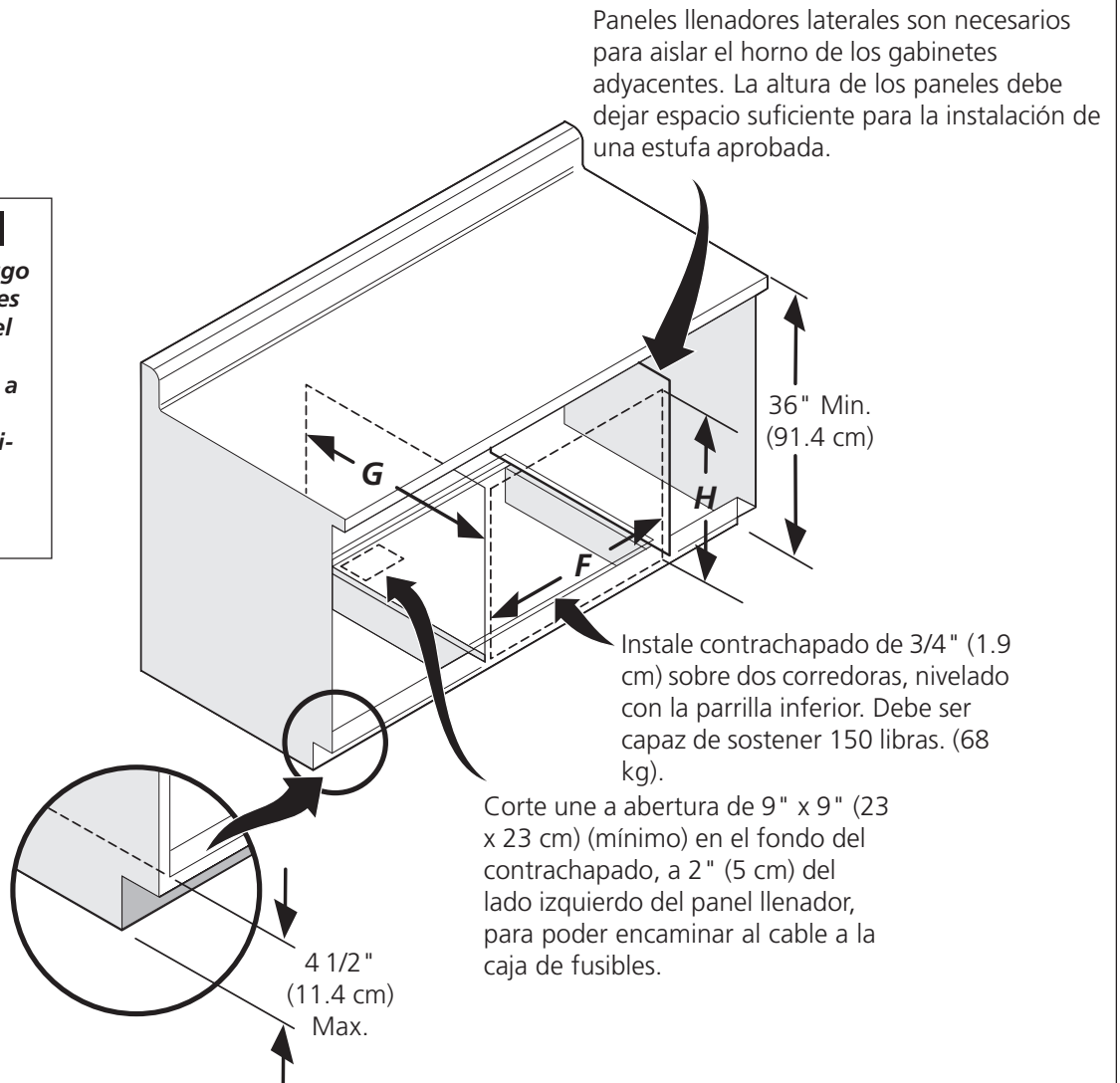
En caso que fuera necesario, añada separadores de madera a las posición de las fijaciones anti inclinación para reducir la abertura del armario a 28 1/2" (72.4 cm).

Coloque ahora el aparato completamente adentro y contra el armario, entonces cierre las fijaciones anti inclinación al aparato, usando los 2 tornillos retirados anteriormente del armazón lateral del aparato.

# INSTRUCCIONES DE INSTALACIÓN PARA EL HORNO ELECTRICO DE PARED

## ⚠ ADVERTENCIA

Para reducir el riesgo de daños personales y de que vuelque el horno a pared, el horno debe fijarse a los gabinetes con unas ménsulas anti-vuelco correctamente instaladas.



## DIMENSIONES DE RECORTADO

	F. ANCHURA	G. PROFUNDIDAD	H. ALTURA
Horno de pared de 30" (76.2 cm)	28 1/2" (72.4 cm) Min. 29" (73.7 cm) Max.	24" (61 cm) Min.	28 1/4" (71.8 cm) Min. 28 7/8" (73.3 cm) Max.

**Figura 10 – INSTALACIÓN TÍPICA DE UN HORNO A PARED DEBAJO DEL MOSTRADOR CON UNA ESTUFA INSTALADA ARRIBA**

## 6. Asegúrese de que el horno de pared está a nivel

1. Instale una rejilla al centro del horno superior (vea la Figura 11).
2. Ponga un nivel por encima de la rejilla. Lea 2 veces, una vez con el nivel a la posición de lado a lado, y otra vez de atrás hacia adelante. Utilice trozo de madera o cuñas por debajo del horno de pared para nivelar, si sea necesario .
3. Vuelve a empezar en el horno inferior. Si el nivel muestra que la rejilla no está a nivel, utilice trozo de madera o cuñas para componer ambos hornos.

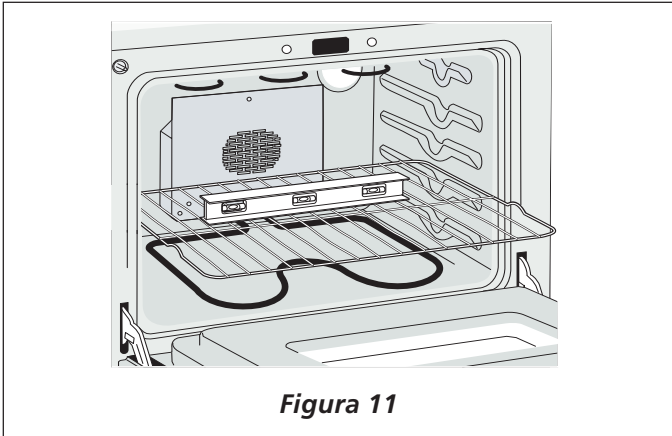


Figura 11

## 7. Verificación de del funcionamiento

Algunos hornos de pared tienen **botones para control manual** del reloj y de las funciones de Hornear, Asar o Limpieza. Mire la Guía del Usuario suministrada en el paquete de información y verifique que todos los controles funcionan correctamente.

Este horno de pared puede estar equipado con un **control electrónico para el horno**. Cada una de las funciones electrónicas ha sido verificada en la fábrica antes de que el electrodoméstico haya sido enviado. Sin embargo, se sugiere que verifique el funcionamiento de los controles electrónicos del horno una vez más. Para saber como utilizar el control electrónico del horno mire la Guía del Usuario y siga las instrucciones para poner en funcionamiento el reloj, el minutero, el horno, el asador, el horno de convección (solo en algunos modelos) y el sistema de limpieza.

**Hornear– Después** de poner el horno a 350°F/177°C para hornear, el elemento de la parte de abajo del horno se debe de ponerse rojo.

**Asar– Cuando** se pone el horno para asar, el elemento de arriba del horno debe de ponerse rojo.

**Limpieza– Cuando** el horno se pone en el ciclo para que se limpie a si mismo, el elemento de arriba debe de ponerse rojo durante la parte de pre-calentamiento del ciclo de limpieza. Después de que llegue a la temperatura adecuada de limpieza, el elemento de calentamiento inferior se encenderá y debe de ponerse rojo.

**Horno de convección (solamente en algunos modelos)– Cuando** el horno se pone para hornear o asar con convección, ambos elementos de calentamiento, el superior y el inferior, se encenderán y el ventilador de convección empezará a funcionar. El ventilador de convección se parará cuando se abre la puerta del horno cuando se está horneando o asando con convección.

**NOTA IMPORTANTE:** Algunos modelos tienen un ventilador pequeño situado dentro del panel de control para enfriamiento adicional de los componentes eléctricos y electrónicos. El ventilador continuará funcionando después de que el horno haya estado operando a una temperatura alta, como a la que se llega cuando el horno se está limpiando.

## Ubicación del número de modelo y de serie

La placa con el número de modelo y de serie está ubicada en el borde de la puerta del horno en la posición abierta.

Cuando haga pedidos de repuestos o solicite información con respecto a su horno, esté siempre seguro de incluir el número de modelo y de serie y el número o letra del lote de la placa de serie de su horno.

## Antes de llamar al servicio

Lea la sección Lista de Control de Averías en su Manual del Usuario. Esto le podrá ahorrar tiempo y gastos. Esta lista incluye ocurrencias comunes que no son el resultado de defectos de materiales o fabricación de este artefacto.

Lea la garantía y la información sobre el servicio en su [Manual del Usuario](#) para obtener el número de teléfono gratuito y la dirección del servicio. Por favor llame o escriba si tiene preguntas acerca de su horno o necesita repuestos.



# INSTRUCTIONS D'INSTALLATION POUR FOUR ENCASTRÉ ÉLECTRIQUE

**L'INSTALLATION ET L'ENTRETIEN DOIVENT ÊTRE EFFECTUÉS PAR UN INSTALLATEUR QUALIFIÉ.  
IMPORTANT : CONSERVEZ POUR L'INSPECTEUR D'ÉLECTRICITÉ LOCAL.  
LISEZ ET CONSERVEZ CES INSTRUCTIONS POUR RÉFÉRENCES ULTÉRIEURES.**

**⚠ AVERTISSEMENT** **POUR VOTRE SÉCURITÉ : N'entrez pas ou n'utilisez pas d'essence ou d'autres produits inflammables à proximité de cet appareil ou de tout autre appareil électroménager.**

**Votre nouveau four encastré a été conçu pour s'ajuster à différentes dimensions de découpage et en faciliter l'installation. La première étape de votre installation consiste à mesurer les dimensions du découpage actuel et, à les comparer au tableau de dimensions de découpage ci-dessous ou à la page suivante pour votre modèle. Vous découvrirez peut-être que peu ou pas de modification sera nécessaire.**

**⚠ AVERTISSEMENT** **N'enlevez pas (s'il y en a) les entretoises sur les parois latérales et/ou à l'arrière du four. Ces entretoises centrent le four dans l'espace fourni. Le four doit être centré pour prévenir une accumulation excessive de chaleur, pouvant causer un feu ou des dommages dû à un surchauffement.**

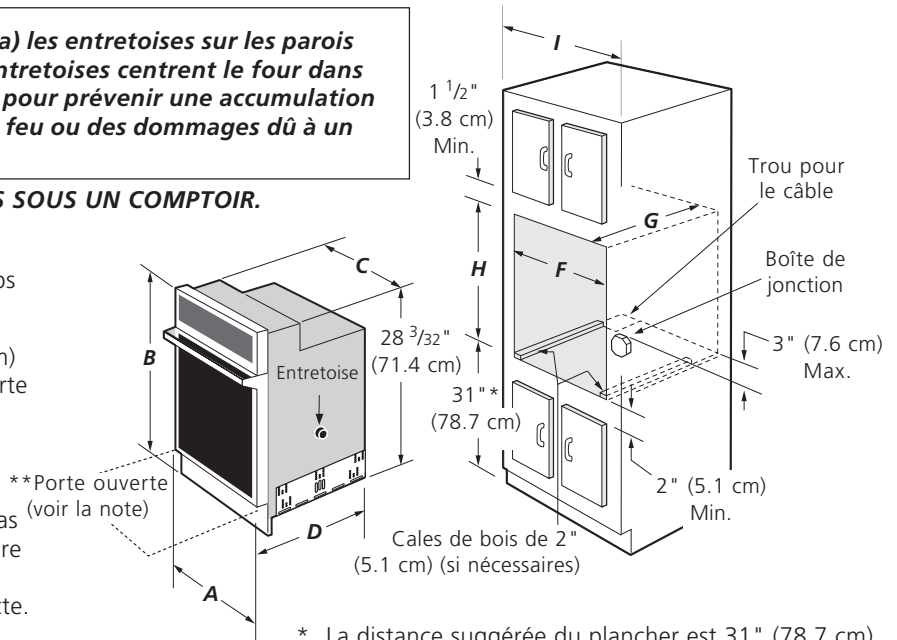
**N'INSTALLEZ PAS CES FOURS ENCASTRÉS SOUS UN COMPTOIR.  
(Modèles 24" et 27" seulement)**

**NOTE:** La Base doit pouvoir supporter 150 lbs (68 kg).

**\*\* NOTE:** Allouez au moins 19 3/8" (49.2 cm) d'espace pour permettre l'ouverture de la porte du four.

**NOTE:** La dimension **G** est critique pour une bonne installation du four. Si la moulure inférieure (ventilation) du four ne s'adapte pas contre l'armoire, ou si un bruit se fait entendre sur les modèles à convection, vérifiez la dimension **G** pour s'assurer qu'elle est correcte.

**NOTE:** Pour un découpage d'une hauteur supérieure à la dimension **H Min.** ajoutez une cale de bois d'une largeur de 2" (5 cm) de chaque côté de l'ouverture sous les supports latéraux de l'appareil.



\* La distance suggérée du plancher est 31" (78.7 cm). La distance minimale requise est 18" (45.7 cm). Excepté pour les modèles de 30", la distance minimale requise est 4 1/2" (11.4 cm).

**Figure 1**  
**FOURS DE 24", 27" et 30" À CAVITÉ SIMPLE**  
**(Pour les fours à cavité double voir la Figure 2)**

DIMENSIONS DE L'APPAREIL								
MODÈLE	A	B	C (enveloppe)	D				
Four encastré 24" (61 cm)	23 7/8 (60.6)	30 3/4 (78.1)	21 11/16 (55.1)	25 3/8 (64.5)				
Four encastré 27" (68.6 cm)	26 7/8 (68.2)	30 3/4 (78.1)	24 11/16 (62.7)	25 3/8 (64.5)				
Four encastré 30" (76.2 cm)	29 7/8 (75.9)	29 7/8 (75.9)	28 3/8 (72.1)	25 3/8 (64.5)				
DIMENSIONS DE DÉCOUPAGE ET DE L'ARMOIRE								
MODÈLE	Min.	F	Max.	G (Min.)	Min.	H	Max.	I
Four encastré 24" (61 cm)	22 (55.9)	22 1/4 (56.5)	23 1/2 (59.7)	23 1/2 (59.7)	28 1/8 (71.4)	30 1/8 (76.5)		24 (61) Min.
Four encastré 27" (68.6 cm)	24 7/8 (63.2)	25 1/4 (64.1)	23 1/2 (59.7)	23 1/2 (59.7)	28 1/8 (71.4)	30 1/8 (76.5)		27 (68.6) Min.
Four encastré 30" (76.2 cm)	28 1/2 (72.4)	29 (73.7)	24 (61)	24 (61)	28 1/4 (71.8)	28 7/8 (73.3)		30 (76.2) Min.

Toutes les dimensions sont en pouces (cm).

Certains modèles ne sont pas disponibles au Canada

P/N 318201506 (0002) Rev. A

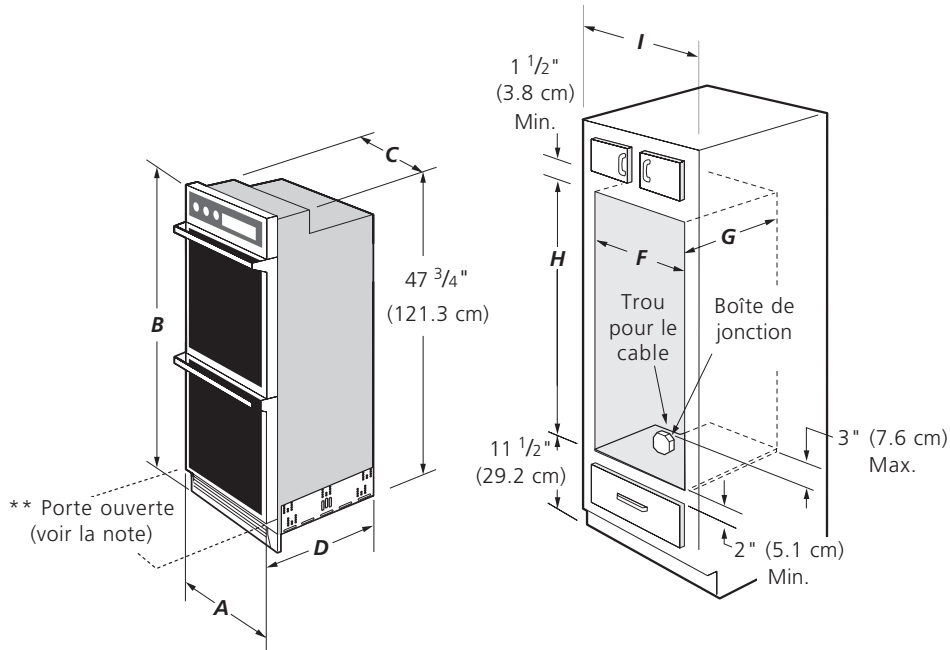
English – pages 1-8

Español – páginas 9-16

Français – pages 17-24

# INSTRUCTIONS D'INSTALLATION POUR FOUR ENCASTRÉ ÉLECTRIQUE

**AVERTISSEMENT** N'enlevez pas (s'il y en a) les entretoises sur les parois latérales et/ou à l'arrière du four. Ces entretoises centrent le four dans l'espace fourni. Le four doit être centré pour prévenir une accumulation excessive de chaleur, pouvant causer un feu ou des dommages dû à un surchauffement.



\*\* Porte ouverte (voir la note)

**NOTE:** La dimension **G** est critique pour une bonne installation du four. Si la moulure inférieure (ventilation) du four ne s'adapte pas contre l'armoire, ou si un bruit se fait entendre sur les modèles à convection, vérifiez la dimension **G** pour s'assurer qu'elle est correcte.

**NOTE:** La base doit pouvoir supporter 300 lbs (136 kg).

\*\* **NOTE:** Allouez au moins 19 3/8" (49.2 cm) d'espace pour permettre l'ouverture de la porte du four.

\* Cette dimension est pour le modèle en acier inoxydable.

**Figure 2**  
**FOURS DE 27" ET 30" À CAVITÉ DOUBLE**  
**(Pour les fours à cavité simple voir la Figure 1)**

DIMENSIONS DE L'APPAREIL							
MODÈLE	A		B	C (enveloppe)		D	
Four encastré 27" (68.6 cm)	26 7/8 (68.2) (*27 1/8 (68.9))		49 1/4 (125.1)	24 11/16 (62.7)		25 3/8 (64.5)	
Four encastré 30" (76.2 cm)	29 7/8 (75.9)		50 (127)	28 3/8 (72.1)		25 7/16 (64.6)	
DIMENSIONS DE DÉCOUPAGE ET DE L'ARMOIRE							
MODÈLE	Min.	F	Max.	G (Min.)		Min. H Max.	I
Four encastré 27" (68.6 cm)	24 7/8 (63.2)	25 1/4 (64.1)		23 1/2 (59.7)		48 (121.9) 49 7/8 (126.7)	27 (68.6) Min.
Four encastré 30" (76.2 cm)	28 1/2 (72.4)	29 (73.7)		24 (61)		49 1/8 (124.8) 49 3/4 (126.4)	30 (76.2) Min.

Toutes les dimensions sont en pouces (cm).

Certains modèles ne sont pas disponible au Canada.

# INSTRUCTIONS D'INSTALLATION POUR FOUR ENCASTRÉ ÉLECTRIQUE

## Installateur

1. Lisez toutes ces instructions avant de procéder à l'installation de votre appareil.
2. Enlevez tout le matériel d'emballage du four avant de procéder au raccordement électrique.
3. Observez tous les codes et règlements applicables.
4. Assurez-vous de laisser ces instructions au consommateur.
5. Retirez la porte du four pour faciliter l'installation.
6. **CES FOURS NE SONT PAS HOMOLOGUÉS POUR UNE INSTALLATION CÔTE-À-CÔTE OU SUPERPOSÉE.**

## Consommateur

Conservez ces instructions avec votre guide de l'utilisateur pour références futures.

## DIRECTIVES IMPORTANTES DE SÉCURITÉ

- **Assurez-vous que votre four encastré est installé et mis à la terre conformément par un installateur ou un technicien de service qualifié.**
- **Ce four encastré doit être mis à la terre conformément aux codes locaux d'électricité ou, en leurs absences, en conformité avec le National Electrical Code ANSI/NFA No. 70, dernière édition aux États-Unis, ou avec la norme ACNOR C22,1, Partie 1, au Canada.**

**⚠ AVERTISSEMENT** *Grimper, vous appuyer ou vous asseoir sur la porte de ce four encastré peut entraîner des blessures graves et peut aussi causer des dommages au four encastré.*

- **N'utilisez jamais votre four encastré pour chauffer ou réchauffer la pièce.** L'utilisation prolongée du four encastré sans ventilation adéquate peut être dangereuse.

**⚠ AVERTISSEMENT** *Il faut couper l'alimentation électrique durant le montage des connexions électriques. À défaut de ce faire il peut en résulter des blessures graves ou la mort.*

### 1. Travaux de menuiserie

Reportez-vous aux figures 1 et 2 pour établir quelles sont les dimensions applicables à votre modèle, ainsi que l'espace nécessaire pour recevoir l'appareil. La surface qui supporte l'appareil doit être en contre-plaqué solide ou tout autre matériau du même type. Il faut vous assurer que la surface est de niveau d'un côté à l'autre et de l'avant à l'arrière.

### 2. Exigences électriques

Ces appareils doivent être branchés sur une alimentation possédant la tension et la fréquence appropriées et connecté à un seul circuit correctement mis à la terre et protégé par un disjoncteur ou un fusible correspondant à l'intensité indiquée sur la plaque signalétique (la plaque signalétique est située sur le châssis du four).

**Observez tous les règlements et les codes locaux applicables.**

1. Un câble électrique à 3 ou 4 fils de 120/240 ou 120/208 Volt monophasé, 60 Hz CA est requis sur un circuit séparé muni d'un fusible sur chaque fil conducteur (fusible temporisé ou disjoncteur recommandé). **NE RELIEZ pas de fusible au neutre.** La capacité du fusible ne doit pas excéder la capacité nominale du circuit de l'appareil spécifiée sur la plaque signalétique.

**NOTE:** Le calibre des fils et leurs connexions doivent être conformes à la capacité des fusibles et à la capacité nominale de l'appareil, selon le National Electrical Code ANSI/NFPA No. 70, dernière édition, ou selon la norme ACNOR C22,1, Partie 1, du Code canadien de l'électricité et les codes et les règlements locaux.

**⚠ AVERTISSEMENT** *N'utilisez pas de rallonge électrique avec ces appareils. Son utilisation peut causer un feu, un choc électrique ou des blessures corporelles.*

2. Il faut brancher l'appareil au panneau de distributions en utilisant des câbles flexibles à gaine métallique ou non métallique. On doit brancher directement à la boîte de jonction le câble gainé flexible de l'appareil. Il faut disposer la boîte de jonction tel qu'illustré à la Figure 1 ou 2 en laissant autant de lâche que possible dans le câble entre la boîte et l'appareil, pour en faciliter le déplacement si l'entretien s'avère nécessaire.
3. Une attache de protection sécuritaire doit retenir le câble armé flexible à la boîte de jonction.

## ⚠ AVERTISSEMENT

### Risque de choc électrique

- **La mise à la terre de cet appareil est obligatoire.**
- **Ne branchez pas l'appareil au circuit électrique tant qu'il ne sera pas mis à la terre correctement et en permanence.**
- **Coupez l'alimentation à la boîte de jonction avant de faire les raccords électriques.**
- **Cet appareil doit être connecté à un circuit permanent électrique, métallique et mis à la terre, ou à un connecteur de mise à la terre qui doit être branché à la borne ou au fil de mise à la terre de l'appareil.**
- **N'utilisez pas un tuyau d'alimentation de gaz pour la mise à la terre de l'appareil.**

**Si vous ne respectez pas toutes les instructions précédentes, un feu, des blessures corporelles ou un choc électrique peuvent en résulter.**

# INSTRUCTIONS D'INSTALLATION POUR FOUR ENCASTRÉ ÉLECTRIQUE

**ATTENTION** Il faut attendre au moins trois (3) heures après sa réception avant de mettre l'appareil sous tension pour éviter toute possibilité d'endommager la commande du four lors de la mise sous tension.

## 3. Réglage de la hauteur du four encastré

### A. Modèles avec support d'extension (certains modèles seulement):

Retirez et mettez de côté la moulure inférieure (ventilation) du bas attachée au panneau latéral extérieur du four. La grille devra être fixée à l'avant au bas du four dès qu'il aura été installé dans l'armoire.

Le four peut s'ajuster de 1 1/2" (3.8 cm) sur la hauteur (voir figure 3). En ajustant et en taillant de 1/2" (1.2 cm), il est possible d'installer le four dans l'ouverture existante, soit de 48" (121.9 cm) à 50" ou 49 7/8" (127 cm ou 126.7 cm) pour le four à cavité double ou de 28 1/8" (71.4 cm) à 30 1/8" (76.5 cm) pour le four à cavité unique.

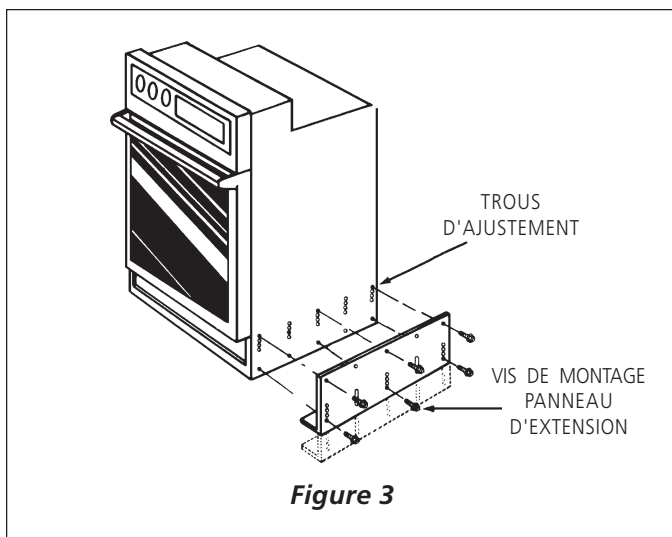


Figure 3

Pour régler la hauteur du four :

1. Déposez le four sur sa paroi arrière (voir figure 4).
2. Démontez les 6 vis retenant le côté de chaque panneau d'extension à la paroi latérale inférieure du four.
3. Déplacez chaque panneau d'extension vers le bas de façon à ce que la hauteur du four ainsi augmentée s'ajuste à l'ouverture. L'augmentation devrait modifier la hauteur du four d'environ 1/2 po (1.3 cm).
4. Alignez les trous des panneaux d'extension avec les trous des côtés du four. Remplacez les 6 vis.
5. Remplacez le four en position debout et procédez à l'installation du four encastré.

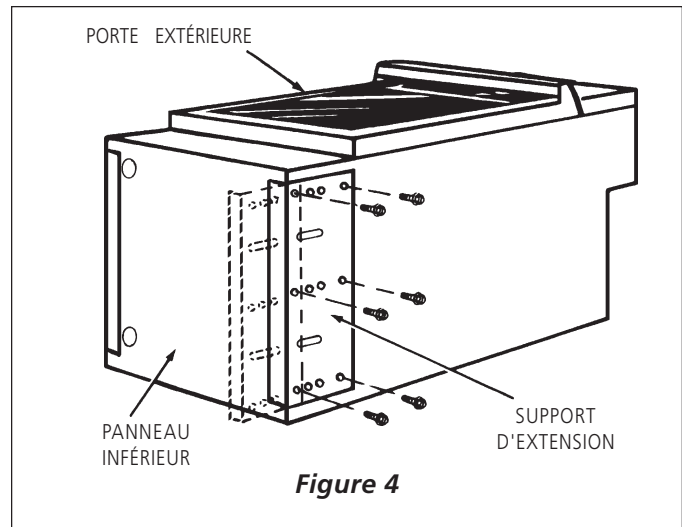


Figure 4

### B. Modèles sans support d'extension (certains modèles seulement):

Lorsque requis, ce four peut être ajusté en hauteur avec une entretoise en bois d'une largeur de 2" (5 cm) pour en permettre l'installation dans le découpage existant d'une armoire, si la hauteur du découpage excède la dimension **H Min.** (voir la figure 1 ou 2).

## 4. Connexions électriques

Le consommateur est responsable et doit communiquer avec un installateur qualifié pour s'assurer que l'installation électrique est adéquate et conforme avec le National Electrical Code ANSI/NFPA No. 70-dernière édition, ou avec la norme ACNOR C22.1, partie 1, du code canadien de l'électricité, et les codes et règlements locaux.

### La mise à la terre de ces appareils est obligatoire.

Ces appareils sont munis d'un câble conducteur en cuivre flexible. Si la connexion est faite à un filage résidentiel en aluminium, utilisez seulement des connecteurs spéciaux approuvés pour le raccord de fils en cuivre et à des fils en aluminium conformes au National Electrical Code et aux codes et ordonnances locaux.

Ces appareils sont fabriqués avec un fil d'alimentation neutre blanc et un fil dénudé en cuivre de mise à la terre connecté au châssis.

1. **Si les codes locaux permettent la connexion du fil de mise à la terre du châssis au neutre (blanc)**, raccordez le fil de cuivre dénudé et le fil blanc du câble d'alimentation de l'appareil ensemble, et au fil neutre dans la boîte de jonction. Raccordez les autres fils du câble d'alimentation, selon leur couleur respective à leur correspondant dans la boîte de jonction (Figure 5).

# INSTRUCTIONS D'INSTALLATION POUR FOUR ENCASTRÉ ÉLECTRIQUE

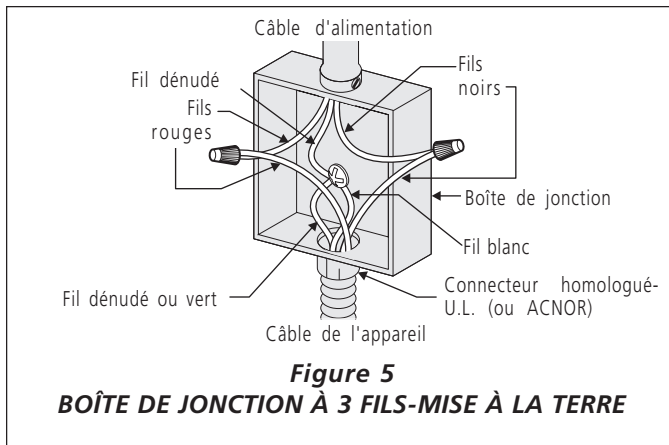


Figure 5

## BOÎTE DE JONCTION À 3 FILS-MISE À LA TERRE

**AVERTISSEMENT** La connexion inappropriée du circuit résidentiel en aluminium à des fils en cuivre peut entraîner un court-circuit ou un feu. N'utilisez que des connecteurs conçus pour joindre des fils de cuivre à ceux d'aluminium, en suivant bien attentivement les directives recommandées par le fabricant.

2. Si l'appareil est utilisé dans une maison mobile, ou si les codes locaux N'AUTORISENT PAS une connexion du conducteur de mise à la terre du châssis au neutre (blanc), séparez le fil blanc du câble dénudé en cuivre de mise à la terre du câble d'alimentation de l'appareil. Raccordez le fil blanc du câble d'alimentation de l'appareil au fil blanc de la boîte de jonction. Connectez les fils rouge et noir du câble d'alimentation au fil de couleur correspondante dans la boîte de jonction. Le fil dénudé doit être utilisé pour la mise à terre de l'appareil en accord avec les normes électriques locales applicables. Connectez le fil dénudé en cuivre de mise à la terre au fil de mise à la terre du panneau principal. NE connectez pas le fil de mise à la terre à un tuyau d'alimentation de gaz. Ne branchez pas l'appareil au circuit électrique avant qu'il soit mis à la terre correctement, en permanence. Branchez le conducteur de mise à la terre avant de mettre l'appareil sous tension (Figure 6).

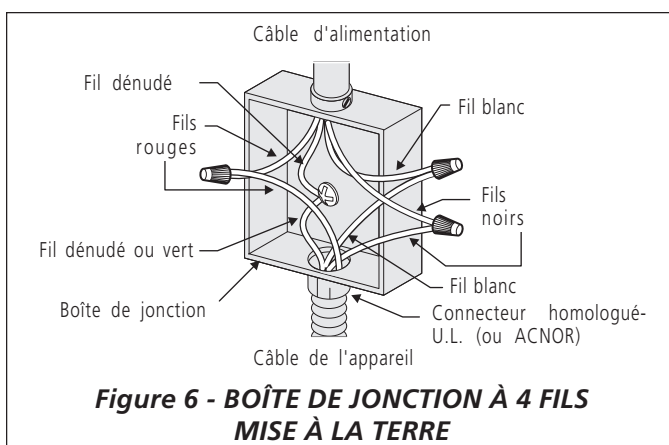


Figure 6 - BOÎTE DE JONCTION À 4 FILS  
MISE À LA TERRE

**ATTENTION** Si la connexion a été faite en utilisant un système électrique à 4 fils (maison mobile), le châssis de l'appareil NE DOIT PAS être branché au fil neutre du câble à 4 fils.

**ÉLECTRICIEN:** Le câble gainé fourni avec cet appareil est homologué par l'ACNOR pour connexion à des circuits résidentiels de fils de calibre supérieur. La capacité thermique de l'isolant des câbles excède considérablement celle des circuits résidentiels. La transmission du courant électrique maximum permise des fils du câble est fonction de la capacité thermique de la gaine plutôt que du calibre du fil.

Ne soulevez pas le four encastré par la poignée de la porte.

## 5. Installation dans l'armoire

### A. Fours 24" à cavité simple et fours 27" à cavité simple et à cavité double.

Insérez l'appareil dans son habitacle. Les vis servent à attacher le devant du cadre de l'appareil à l'armoire. Les trous percés dans le cadre avant peuvent servir comme gabarit pour situer les trous pour les vis.

#### Pour attacher l'appareil à l'armoire:

1. Alignez les 2 trous de montage de la moulure inférieure (ventilation) avec les trous dans le bas du cadre avant, sous la porte (voir figure 7).
2. Utilisez les 2 vis fournies pour attacher la moulure inférieure (ventilation) et l'appareil à l'armoire.
3. Utilisez les 2 vis restantes pour attacher le haut de l'appareil à l'armoire, de chaque côté du cadre du four, au-dessus de la porte.

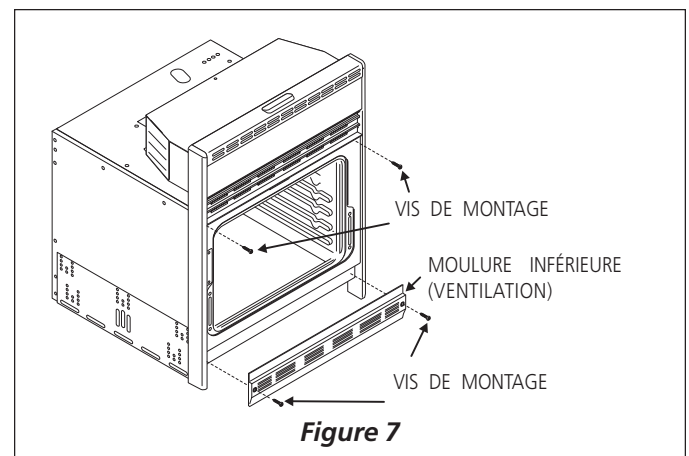


Figure 7

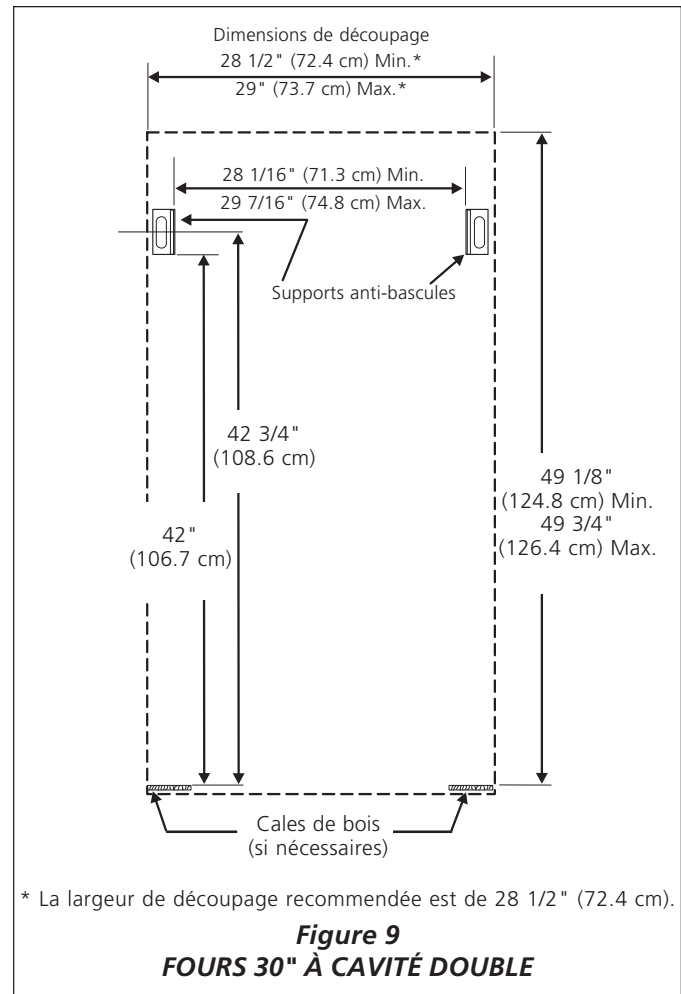
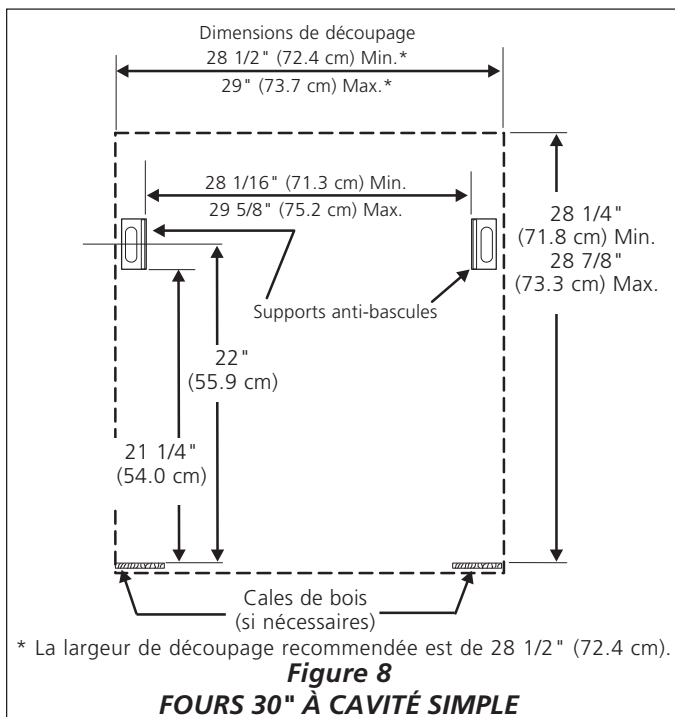
# INSTRUCTIONS D'INSTALLATION POUR FOUR ENCASTRÉ ÉLECTRIQUE

## B. Fours 30" à cavité simple et à cavité double

**⚠ AVERTISSEMENT** *Le four encastré peut basculer quand la porte est ouverte. Il faut le fixer à l'armoire, les supports anti-bascules fournis avec le four encastré, pour prévenir le basculement du four et des blessures corporelles.*

### Instructions d'installation des supports anti-bascules

1. Déballer le four encastré et trouvez les 2 vis anti-bascules comprises dans l'emballage contenant la littérature. Les portes peuvent être enlevées pour faciliter la manipulation du four. (voir le [Guide de l'utilisateur](#) pour les instructions)
2. Les supports anti-bascules sont installés sous les moulures latérales décoratives du four pour l'expédition (voir figure 8 ou 9). A l'aide d'un tournevis Robertson® no.2, (préférentiellement un tournevis à tête, toutefois un tournevis no. 2 Phillips® ou Quadrex® peuvent aussi être employés). Démontez-les de la paroi latérale du châssis de l'unité. Ouvrez la porte supérieure pour démonter les vis, situées dans le coin supérieur de la moulure latérale.
3. Insérez l'unité dans le découpage de l'armoire. Glissez l'unité vers l'intérieur en laissant une espace de 1 3/8" (3.5 cm) entre la moulure décorative du four et l'armoire. Tout en glissant l'appareil vers l'intérieur, tirez le câble gainé à travers le trou du plancher de l'armoire et vers la boîte de jonction. A l'aide du second jeu de trous dans la paroi latérale de l'unité trouvez la position des supports anti-bascules sur les côtés du découpage de l'armoire. Marquez leur position tel qu'illustré dans la Figure 8 ou 9.



4. Tirez le four d'approximativement 1 pied (30,5 cm) du mur arrière de l'armoire. Positionnez chaque support sur l'armoire et percez-y des trous pilotes de 1/8". Fixez les supports en place à l'aide des 2 vis fournies. (#10 x 1 1/4" de long).

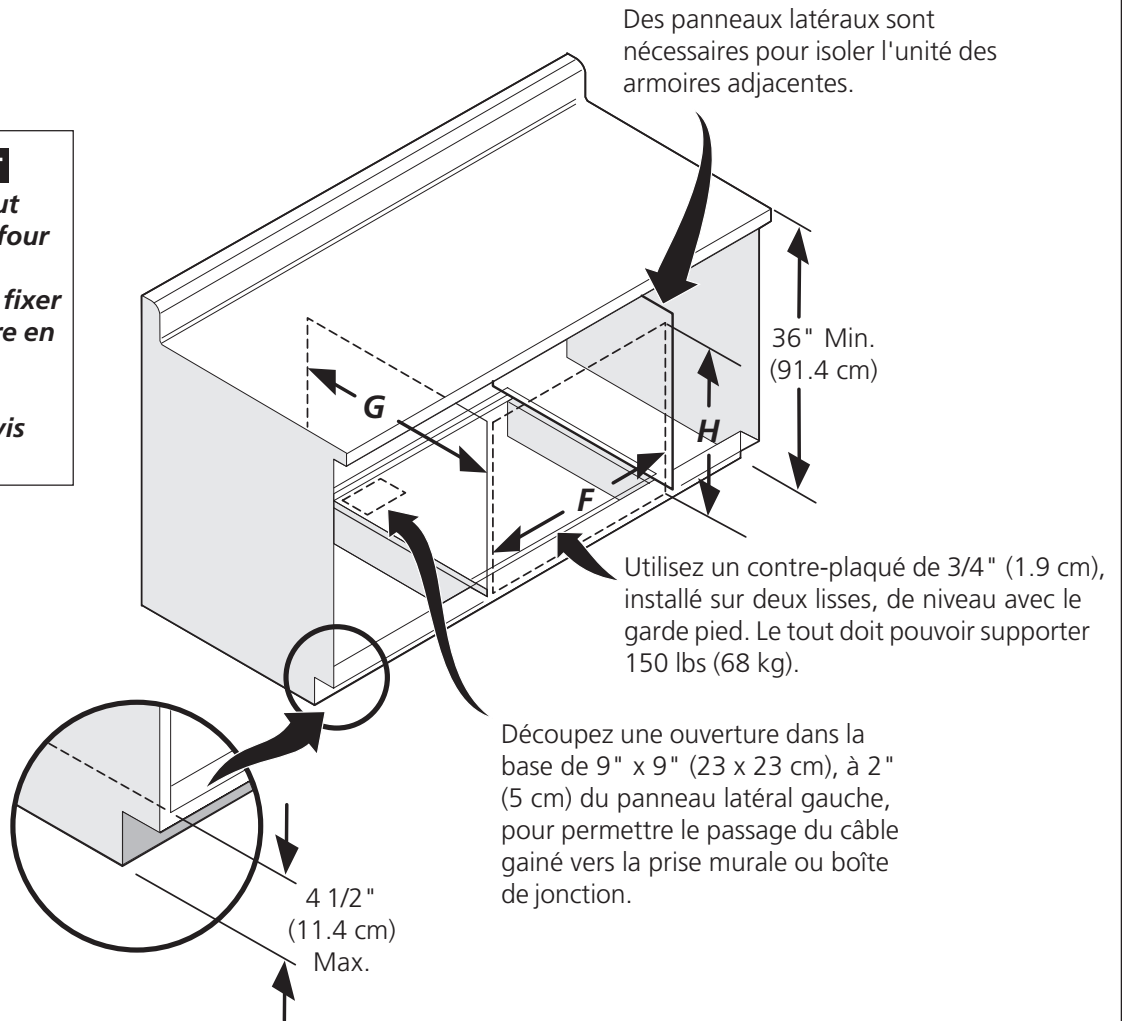
Si nécessaire, ajoutez des cales de bois aux emplacements des supports anti-bascules pour réduire l'ouverture de l'armoire à 28 1/2" (72,4 cm).

Poussez l'appareil à l'intérieur contre l'armoire, ensuite, attachez l'unité aux supports anti-bascules à l'aide des 2 vis antérieurement démontées du châssis latérale.

# INSTRUCTIONS D'INSTALLATION POUR FOUR ENCASTRÉ ÉLECTRIQUE

## ⚠ AVERTISSEMENT

Pour prévenir tout basculement du four encastré et des blessures, il faut fixer le four à l'armoire en installant correctement les supports ou les vis anti-bascules.



### DIMENSIONS DE DÉCOUPAGE

	F. LARGEUR	G. PROFONDEUR	H. HAUTEUR
Four encastré 30" (76.2 cm)	28 1/2" (72.4 cm) Min. 29" (73.7 cm) Max.	24" (61 cm) Min.	28 1/4" (71.8 cm) Min. 28 7/8" (73.3 cm) Max.

Figure 10 – INSTALLATION TYPIQUE D'UN FOUR ENCASTRÉ ÉLECTRIQUE SOUS UN COMPTOIR FOUR ENCASTRÉ 30" SEULEMENT

# INSTRUCTIONS D'INSTALLATION POUR FOUR ENCASTRÉ ÉLECTRIQUE

## 6. Mise à niveau du four encastré

1. Installez une grille dans le centre du four supérieur (voir Figure 11).
2. Placez un niveau sur la grille. Prenez deux lectures avec le niveau. Placez-le en diagonale dans un sens, ensuite dans l'autre. Utilisez des cales de bois sous le four encastré pour le mettre à niveau si nécessaire.
3. Répétez dans le four inférieur (si vous avez un modèle à deux fours). Si le niveau indique que la grille n'est pas horizontale, utilisez des cales de bois pour atteindre un compromis raisonnable pour les deux fours.

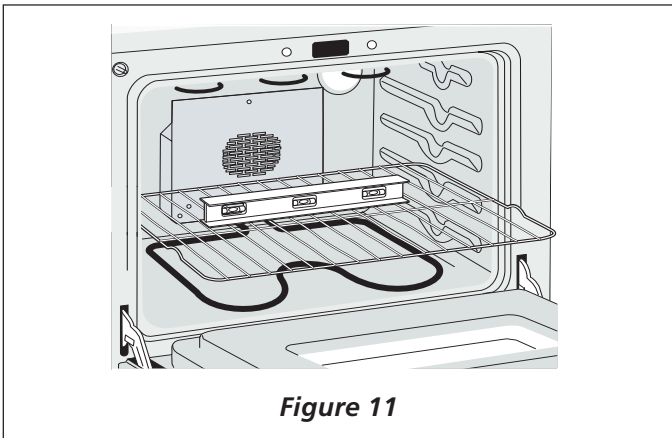


Figure 11

## 7. Vérification du fonctionnement

Certains fours encastrés possèdent des boutons de commande pour ajuster l'horloge ainsi que les fonctions Cuisson, Grillage, Nettoyage ou Convection. Reportez-vous à votre guide de l'utilisateur et suivez la marche à suivre pour le réglage correct des boutons; vérifiez si tout fonctionne normalement.

Si votre appareil possède une **commande électronique de four**, prenez note que toutes les fonctions qu'elle contrôle ont été vérifiées en usine pour leur bon fonctionnement avant d'expédier l'appareil. Nous vous suggérons toutefois de vérifier le fonctionnement de la commande électrique à nouveau. Reportez-vous au [Guide de l'utilisateur](#) ou au feuillet de la [Commande électronique du four](#) pour le réglage de la commande électronique. Suivez la marche à suivre pour régler les fonctions Horloge, Minuterie, Cuisson, Grillage, Convection (certains modèles) et Nettoyage du four.

**Cuisson au four**—Après le réglage à 177°C (350°F) pour la cuisson au four, l'élément inférieur du four doit devenir rouge.

**Grillage**—Lorsque GRILL est sélectionné, l'élément supérieur du four doit devenir rouge.

**Nettoyage**—Lorsque le cycle d'autonettoyage est sélectionné, l'élément supérieur doit devenir rouge pendant la phase de pré-chauffement du cycle. Après avoir atteint la température d'autonettoyage, l'élément inférieur doit devenir rouge à son tour.

**Convection/cuisson par convection (certains modèles)**—Lorsque cuisson ou rôtissage par convection est sélectionné, les deux éléments alternativement s'allument et se ferment, et le ventilateur tourne. Le ventilateur arrête dès l'ouverture de la porte durant la cuisson ou le rôtissage par convection.

**NOTE IMPORTANTE:** Un ventilateur à l'intérieur de la partie supérieure arrière du four, fournit un refroidissement additionnel des composantes électriques et électroniques. Le ventilateur continue à tourner après un fonctionnement du four à des températures élevées.

## Emplacement du numéro de modèle et de série

La plaque signalétique est située sur le côté intérieur de la porte du four (supérieur, si vous avez un modèle à deux fours).

Pour toute commande des pièces ou demande de renseignement au sujet de votre four, assurez-vous d'inclure le numéro de modèle et de série, ainsi que le numéro ou lettre de lot de la plaque signalétique de votre four.

## Avant d'appeler le service d'entretien

Réviser la liste de vérifications préventives et les instructions d'opération dans votre guide de l'utilisateur. Vous sauvez probablement du temps et de l'argent. La liste contient les incidents ordinaires ne résultant pas de défauts dans le matériel ou la fabrication de cet appareil.

Pour obtenir nos adresse et numéro de téléphone sans frais, référez-vous à la garantie et aux renseignements sur les services d'entretien dans votre Guide de l'utilisateur. Prière de nous téléphoner ou de nous écrire pour toute demande d'information au sujet de votre appareil et/ou si vous désirez commander des pièces.