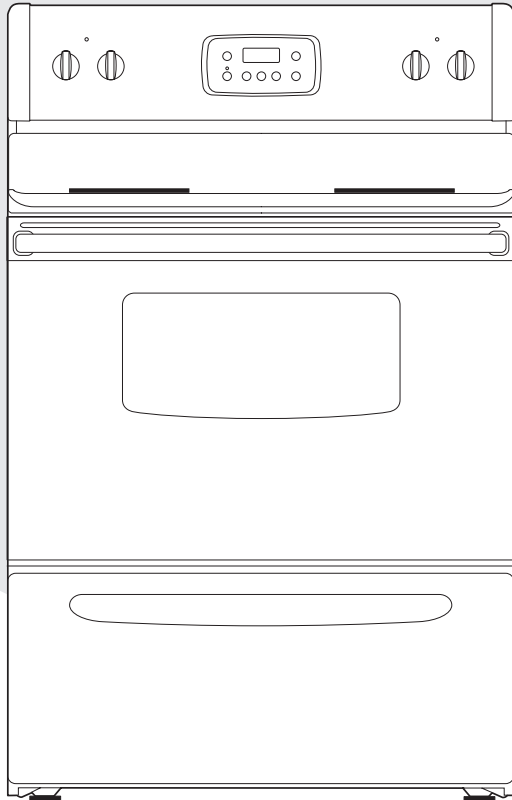


Frigidaire

 **Electrolux**

FACTORY
PARTS CATALOG



PRODUCT NO.	BASE MODEL NO.	COLOR	MARKET
FEF326ABC	FEF326A	black	North America
FEF326AQC	FEF326A	bisque	North America
FEF326ASC	FEF326A	white	North America

SERVICE DATA SHEET - # 316259195
WIRING DIAGRAM - #316255163
OWNER'S GUIDE - # 316257114
INSTALLATION INSTRUCTIONS -# 316259200

**ELECTRIC
RANGE**

Model No.
FEF326A

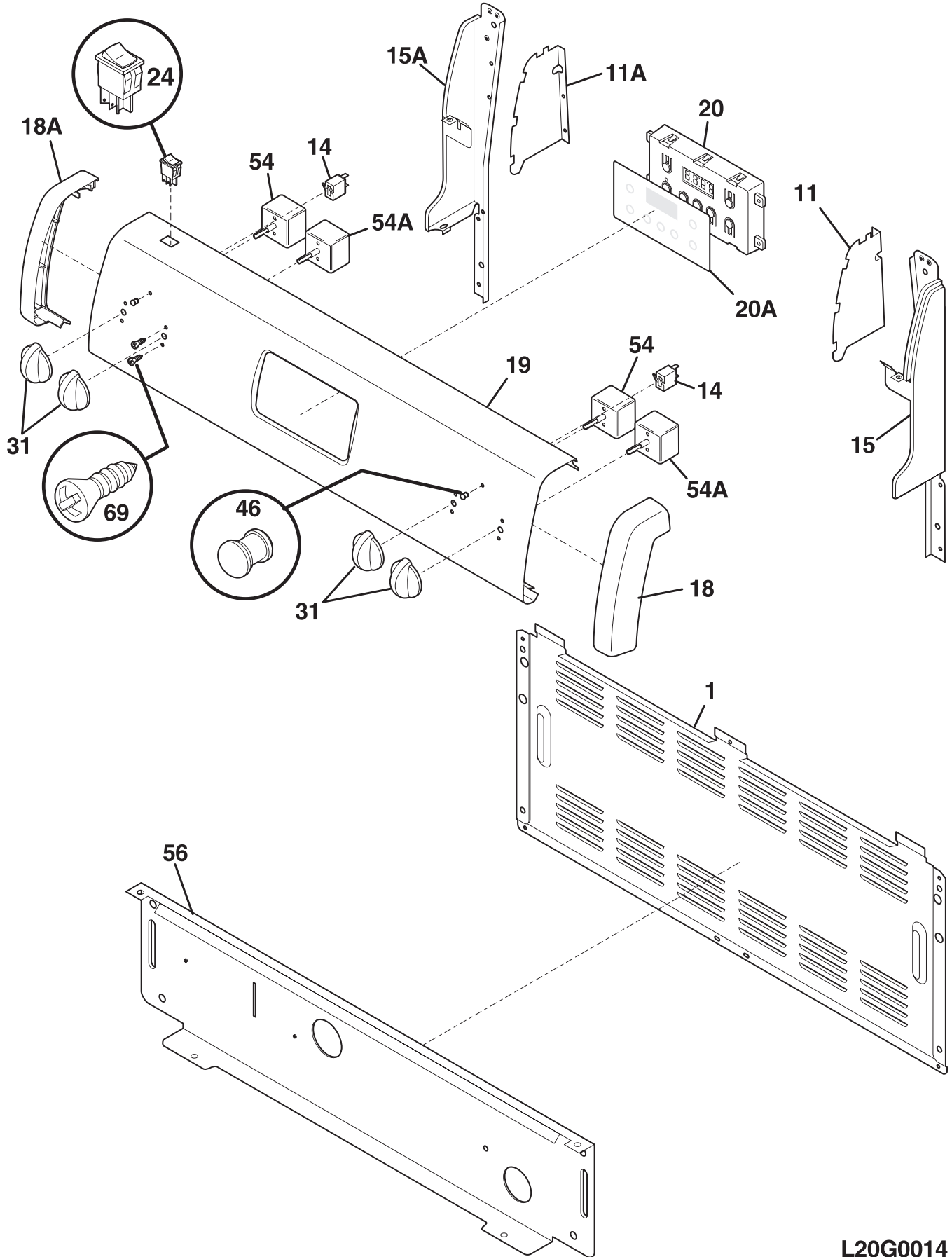
 **Electrolux**

ELECTROLUX HOME PRODUCTS, INC.
P.O. Box 212378, Augusta, GA 30917

Publication No.
5995377073
020819
-EN/SERVICE /ECL
369

©2002 Electrolux Home Products, Inc.
All rights reserved

BACKGUARD



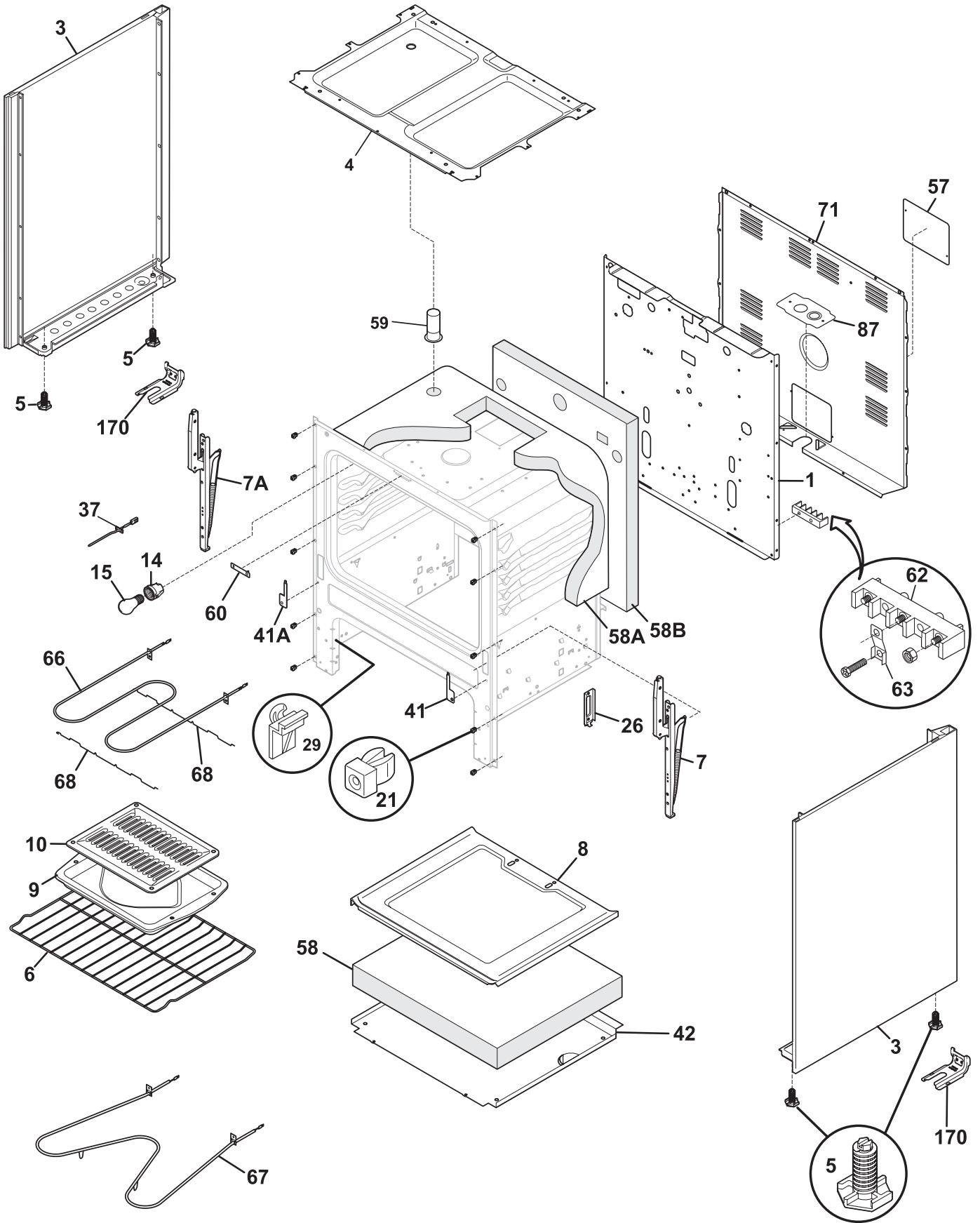
L20G0014

BACKGUARD

A = FEF326A (FEF326ASC)
B = FEF326A (FEF326ABC)
C = FEF326A (FEF326AQC)

POS. NO	PART NO		DESCRIPTION
1	316239900	A B C	Shield,backguard ,rear wall
1*	316248900	A B C	Spacer,shield ,rear wall
11	316241000	A B C	Shield,end cap ,RH
11A	316241001	A B C	Shield,end cap ,LH
14	316022500	A B C	Light/Lamp,warmmer,indicator ,drawer/zone,125 V
15	316220214	A - -	Support,backguard ,white ,RH
15	316220216	- B -	Support,backguard ,black ,RH
15	316220218	- - C	Support,backguard ,bisque ,RH
15A	316220215	A - -	Support,backguard ,white ,LH
15A	316220217	- B -	Support,backguard ,black ,LH
15A	316220219	- - C	Support,backguard ,bisque ,LH
18	316240900	A - -	End Cap,white ,RH
18	316240904	- B -	End Cap,black ,RH
18	316240906	- - C	End Cap,bisque ,RH
18A	316240901	A - -	End Cap,white ,LH
18A	316240905	- B -	End Cap,black ,LH
18A	316240907	- - C	End Cap,bisque ,LH
19	316246615	A - -	Panel,backguard ,white
19	316246616	- B -	Panel,backguard ,black
19	316246617	- - C	Panel,backguard ,bisque
20 #	316222801	A B C	Clock/Timer,electronic
20A	316220700	A - -	Overlay,clock ,white
20A	316220701	- B -	Overlay,clock ,black
20A	316220702	- - C	Overlay,clock ,bisque
24 #	316246000	A - -	Switch,rocker ,white ,oven light
24 #	316246001	- B -	Switch,rocker ,black ,oven light
24 #	316246002	- - C	Switch,rocker ,bisque ,oven light
31	316223000	A - -	Knob,control ,white
31	316223002	- B -	Knob,black
31	316223003	- - C	Knob,control ,bisque
46	316040201	A B C	Lens,indicator light ,red
54 #	316021500	A B C	Switch,infinite ,small element
54A#	316021501	A B C	Switch,infinite ,large element
56	316234001	A - -	Shield,backguard ,white ,inner
56	316234003	- B -	Shield,backguard ,black ,inner
56	316234004	- - C	Shield,backguard ,bisque ,inner
69	5303288565	A B C	Screw,truss sqdr ,8-32 x 3/16 ,switch mtg
*	316021108	A B C	Screw,cup pt ,8-18 x 0.375 ,chrome
*	316021110	A B C	Screw,8-18 x 0.5 ,black

BODY



**NOTE: Oven Liner N/A
Ass. du four N/A**

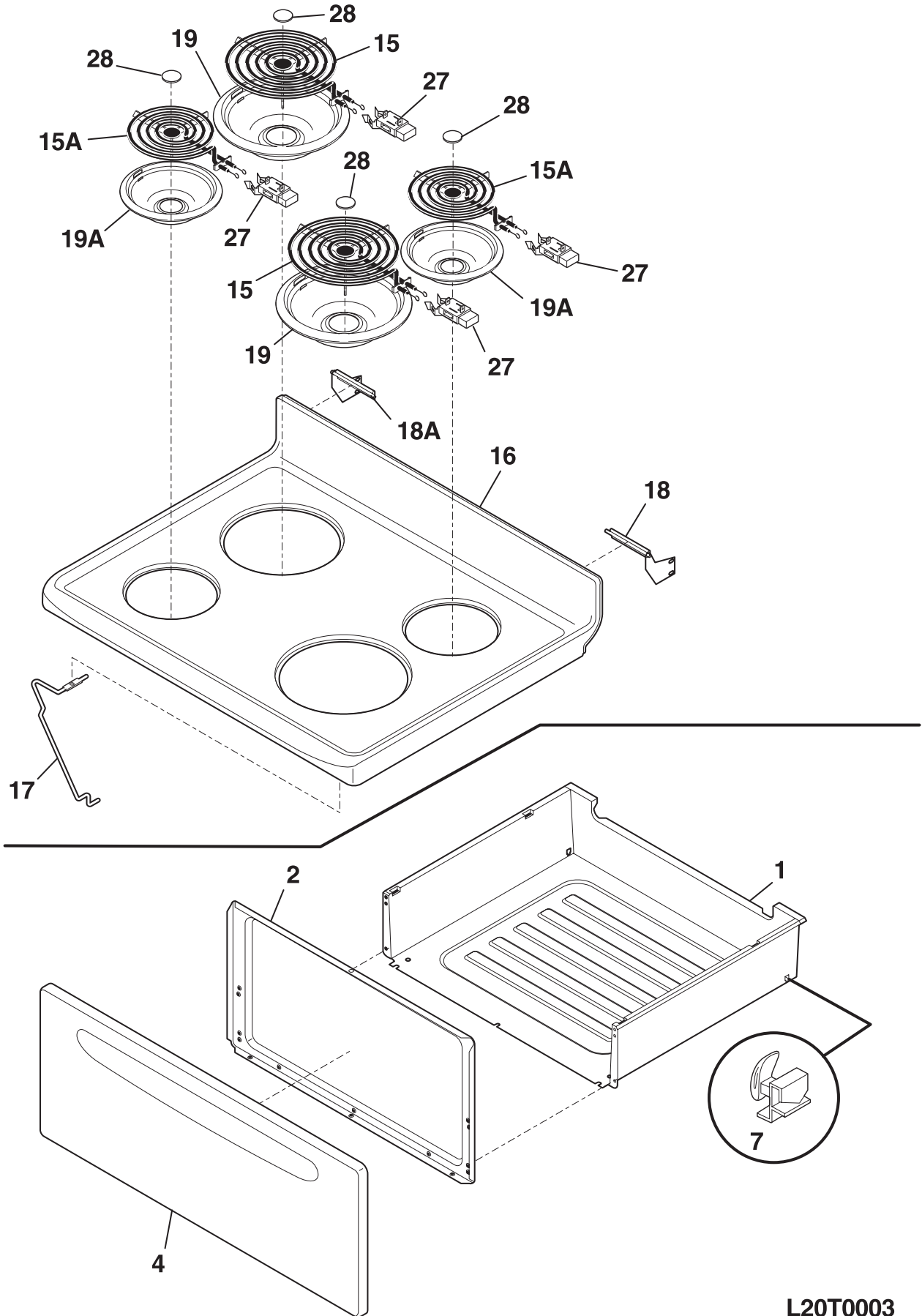
L20V0016

BODY

A = FEF326A (FEF326ASC)
B = FEF326A (FEF326ABC)
C = FEF326A (FEF326AQC)

POS. NO	PART NO		DESCRIPTION
1	316201300	A B C	Back,main
3	316230114	A - -	Panel,bodyside ,white ,RH
3	316230115	A - -	Panel,bodyside ,white ,LH
3	316230116	- B -	Panel,bodyside ,black ,RH
3	316230117	- B -	Panel,bodyside ,black ,LH
3	316230118	- - C	Panel,bodyside ,bisque ,RH
3	316230119	- - C	Panel,bodyside ,bisque ,LH
3*	316021131	A - -	Screw,bodyside ,8-18 X 11/16 ,white
3*	316021132	- B -	Screw,bodyside ,8-18 X 11/16 ,black
3*	316021133	- - C	Screw,bodyside ,8-18 X 11/16 ,bisque
4	316201401	A B C	Burner Box
5	316129200	A B C	Screw,leveling ,plastic ,with stop
6	316067902	A B C	Rack,oven
7	316212908	A B C	Hinge,oven door ,RH
7A	316212909	A B C	Hinge,oven door ,LH
8	3203540	A B C	Panel,oven bottom
9	316081900	A B C	Pan,broiler
10	316082000	A B C	Insert,broiler pan
14	316116400	A B C	Receptacle,oven light
15	5303013071	A B C	Bulb/Lamp,oven light
21	3014099	A B C	Spacer,bodyside
26	316206300	A B C	Support,chassis ,(2)
29	3051162	A B C	Glide,drawer ,front
37 #	316233900	A B C	Probe,oven temp
41	316233400	A B C	Cover,hinge cutout ,RH
41A	316233500	A B C	Cover,hinge cutout ,LH
42	316206200	A B C	Shield,wool ,lower
57	316081100	A B C	Cover,access
58	3200847	A B C	Insulation,oven bottom
58A	316047707	A B C	Insulation,1" ,oven wrapper
58B	316054202	A B C	Insulation,1" ,oven back
59	316073605	A B C	Tube,oven vent
60	316239100	A B C	Cover,oven front
62 #	5303935061	A B C	Terminal Block Kit
62*	316205500	A B C	Nut,hex flange ,3/8 10-32
63	5301145190	A B C	Plate,grounding strap
66 #	316203200	A B C	Element,broil
67	316075103	A B C	Element,bake
68	316203400	A B C	Support,broil element
71	316015810	A B C	Shield,rear wall ,galv steel
87	316081200	A B C	Bracket,cable mtg
170	5303935180	A B C	Anti-tip Kit,w/bracket,screw
170*	316107200	A B C	Bracket,anti-tip
170*	316112500	A B C	Template,anti-tip
170*	316116000	A B C	Screw,concrete tpg ,1.75 inch ,anti-tip brkt
* #	316253122	A B C	Wiring Harness,main
*	316073400	A B C	Plate,weight ,(3)
*	3203550	A B C	Plug,button ,oven bottom
*	5303305324	A - -	Paint,touch-up ,white
*	5303305345	- B -	Paint,touch-up ,black
*	5304414035	- - C	Paint,touch-up ,bisque
*	316021108	A B C	Screw,cup pt ,8-18 x 0.375 ,chrome
*	5303280311	A B C	Screw,wafer hd sq dr ,10-32 x 0.312
*	5303285179	A B C	Screw,wafer head ,8-32T x 0.500 ,black
*	5308014215	A B C	Screw,6-20 x 0.312
*	5303271648	A B C	Screw,wafer hd sq dr ,8-18AB x 0.5

TOP/DRAWER



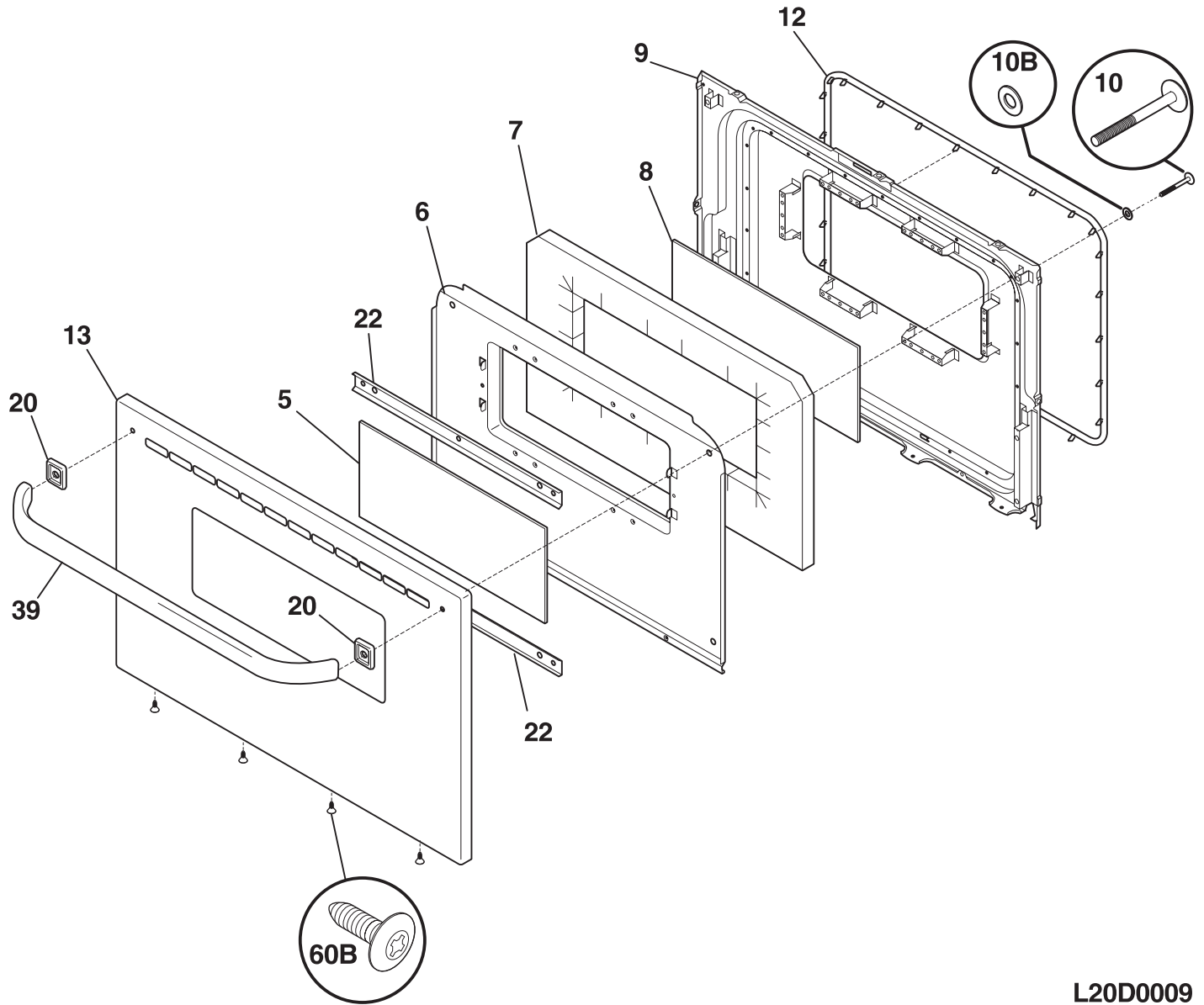
L20T0003

TOP/DRAWER

A = FEF326A (FEF326ASC)
B = FEF326A (FEF326ABC)
C = FEF326A (FEF326AQC)

POS. NO	PART NO		DESCRIPTION
1	316011503	A B C	Drawer
2	316231500	A B C	Liner,drawer
4	316231305	A - -	Panel,drawer ,white
4	316231306	- B -	Panel,drawer ,black
4	316231309	- - C	Panel,drawer ,bisque
7	3051163	A B C	Glide,drawer ,rear
15 #	5303012223	A B C	Element,surface ,8" ,large
15A#	08067762	A B C	Element,surface ,6" ,small
16	316202307	A - -	Main Top,white
16	316202306	- B -	Main Top,black
16	316202309	- - C	Main Top,bisque
17	316057601	A B C	Rod,support ,main top
18	316235900	A B C	Hinge,main top ,RH
18A	316235901	A B C	Hinge,main top ,LH
19 #	318067055	A - C	Pan,surface element ,large ,chrome ,w/clip
19	318067051	- B -	Pan,surface element ,large ,black
19A#	318067045	A - C	Pan,surface element ,small ,chrome ,w/clip
19A	318067041	- B -	Pan,surface element ,small ,black
27 #	5303912666	A B C	Terminal Block Kit,surface element
28	3017801	A B C	Medallion,stainless steel ,surf elem
28	5303017715	A B C	Medallion,1 1/2"dia ,black ,surface element
* #	316253501	A B C	Wiring Harness,surface element
*	316058600	A B C	Clip,surface element ,chrome ,(4)
*	316021108	A B C	Screw,cup pt ,8-18 x 0.375 ,chrome
*	316021110	A B C	Screw,8-18 x 0.5 ,black
*	5303280311	A B C	Screw,wafer hd sq dr ,10-32 x 0.312
*	5308014215	A B C	Screw,6-20 x 0.312

DOOR



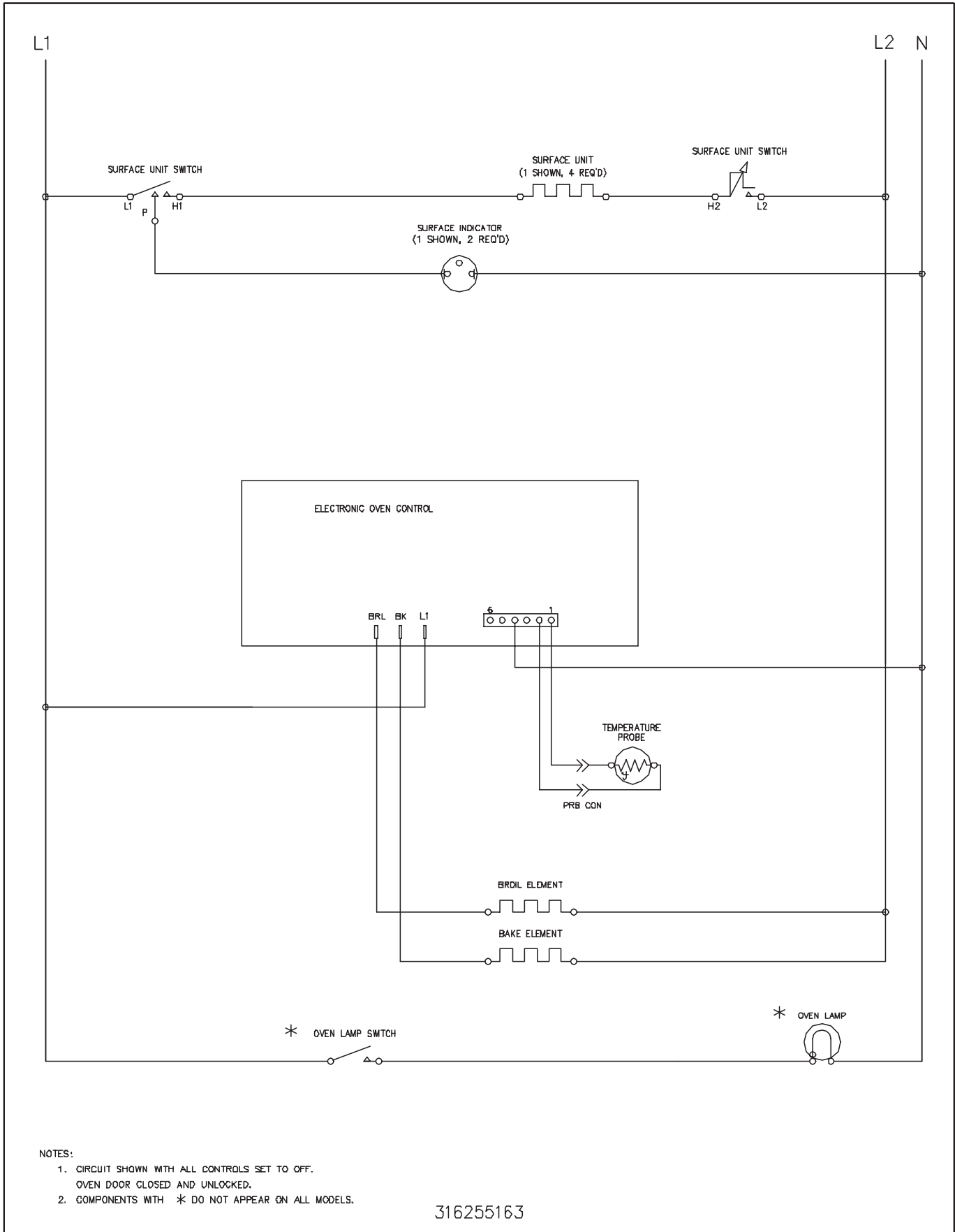
L20D0009

DOOR

A = FEF326A (FEF326ASC)
B = FEF326A (FEF326ABC)
C = FEF326A (FEF326AQC)

POS. NO	PART NO		DESCRIPTION
5	316050307	A - C	Glass,oven door ,white ,outer
5	316050302	- B -	Glass,oven door ,black ,outer
6	316222709	A B C	Shield,oven door ,wool
7	316236801	A B C	Insulation,oven door
8	316088600	A B C	Glass,oven door ,inner
9	316230604	A B C	Liner,oven door
10	316001014	A B C	Screw,waf hd sq ,10-24 x 1.6 ,handle ,(2)
10B	316008401	A B C	Washer,3/4 OD x 1/4 ID ,steel
12	316239700	A B C	Seal,oven door
13	316202702	A - -	Panel,oven door ,white
13	316202701	- B -	Panel,oven door ,black
13	316202704	- - C	Panel,oven door ,bisque
20	316248401	A - -	Spacer,handle ,white ,(2)
20	316248400	- B -	Spacer,handle ,black ,(2)
20	316248403	- - C	Spacer,handle ,bisque ,(2)
22	5303272476	A B C	Retainer,glass ,(2) ,angle
39	316248301	A - -	Handle,oven door ,white
39	316248300	- B -	Handle,oven door ,black
39	316248304	- - C	Handle,oven door ,bisque
60B	5303271648	A B C	Screw,wafer hd sq dr ,8-18AB x 0.5
*	316245600	A B C	Seal,door ,air gap
*	316021110	A B C	Screw,8-18 x 0.5 ,black
*	5303280311	A B C	Screw,wafer hd sq dr ,10-32 x 0.312
*	5303285179	A B C	Screw,wafer head ,8-32T x 0.500 ,black

WIRING SCHEMATIC



- NOTES:
1. CIRCUIT SHOWN WITH ALL CONTROLS SET TO OFF.
OVEN DOOR CLOSED AND UNLOCKED.
 2. COMPONENTS WITH * DO NOT APPEAR ON ALL MODELS.

316255163

WIRING DIAGRAM

