

Frigidaire

Factory Parts Catalog

Product No.	FEF355ABJ	FEF355AQJ	FEF355ASJ	FEF355AWJ
Series	30" f/s elec	30" f/s elec	30" f/s elec	30" f/s elec
Color	black	bisque	white	black/white
Market	North America	North America	North America	North America
Wiring Diagram	316255310	316255310	316255310	316255310
Owner's Guide	316257122	316257122	316257122	316257122
Installation Instructions	316259206	316259206	316259206	316259206
Service Data Sheet	316218513	316218513	316218513	316218513

 **Electrolux**

ELECTROLUX HOME PRODUCTS, INC.
P.O. Box 212378, Augusta, GA 30917

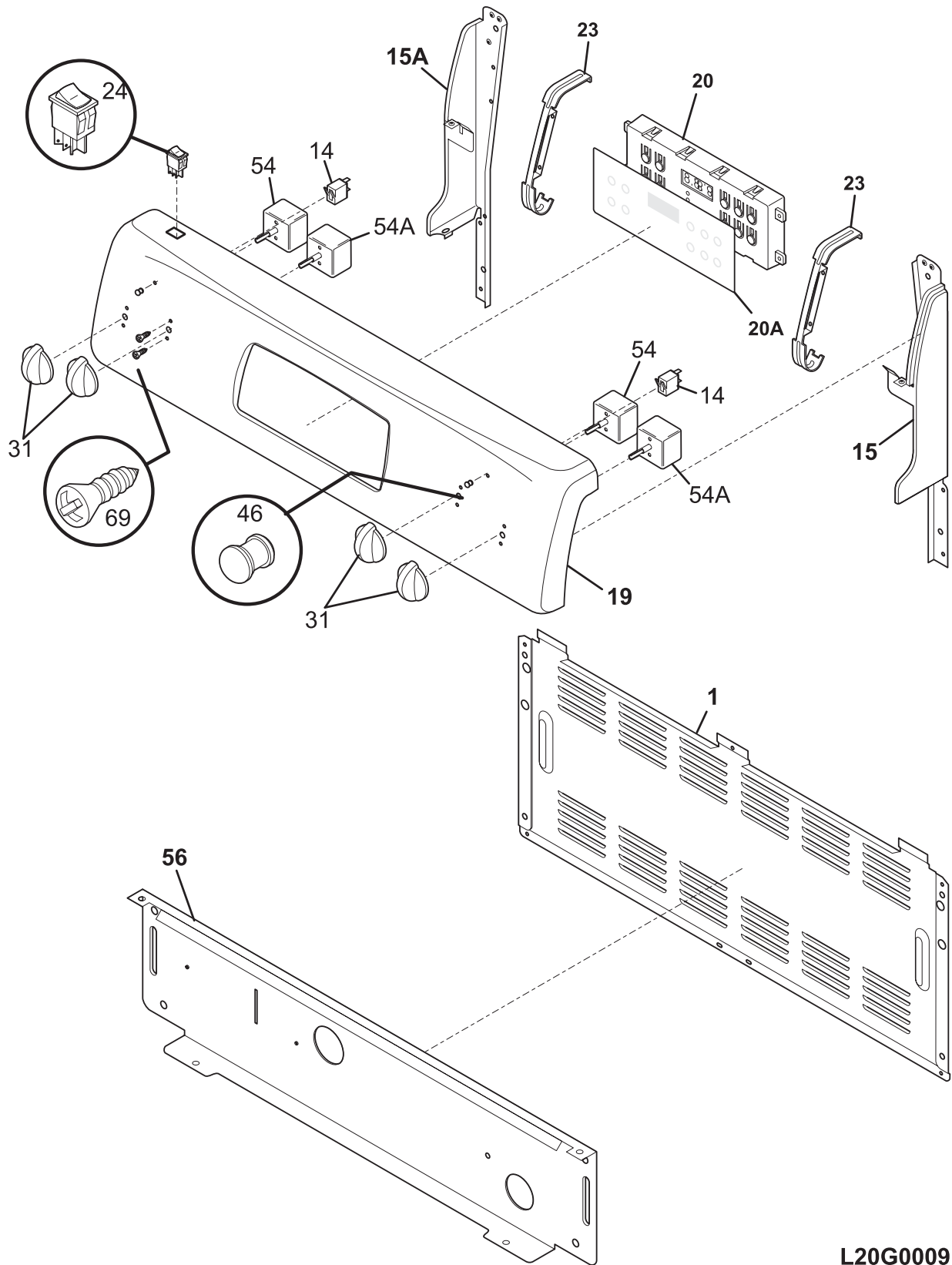
Publication No.
5995401956
04/01/19
(EN/SERVICE/ECL)
369

**30-INCH FREE-
STANDING ELECTRIC
RANGE**

Model No.
FEF355A

Copyright © 2004 Electrolux Home Products, Inc.
All rights reserved.

BACKGUARD



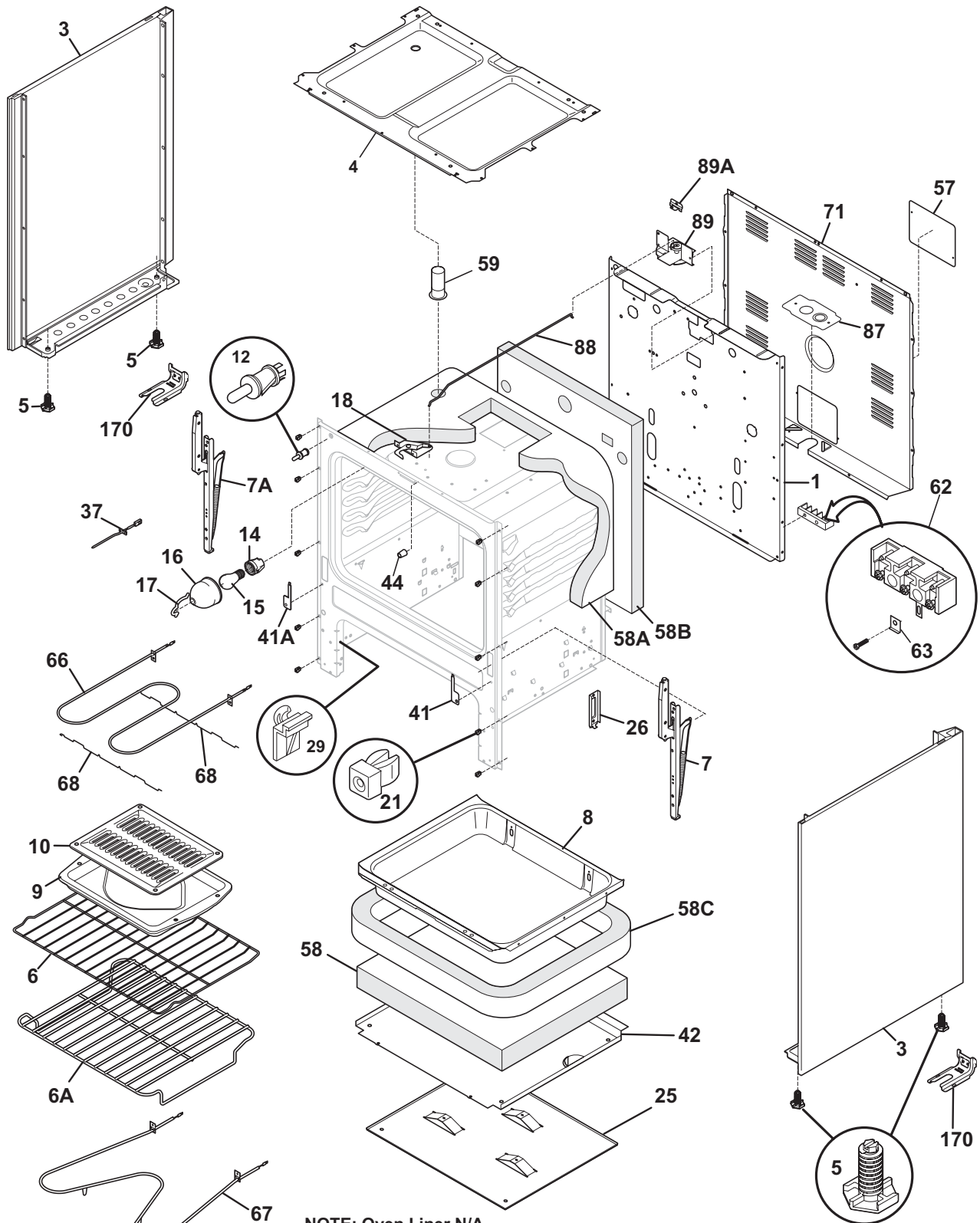
L20G0009

BACKGUARD

Model Index: A FEF355A (FEF355ABJ)
 B FEF355A (FEF355AQJ)
 C FEF355A (FEF355ASJ)
 D FEF355A (FEF355AWJ)

POS. NO	PART NO.			DESCRIPTION
1	316239900	A	B C D	Shield, backguard, rear wall
14	316022500	A	B C D	Light/Lamp, indicator, 125 V
15	316220216	A	- - D	Support, backguard, black, RH
15	316220218	-	B - -	Support, backguard, bisque, RH
15	316220214	-	- C -	Support, backguard, white, RH
15A	316220217	A	- - D	Support, backguard, black, LH
15A	316220219	-	B - -	Support, backguard, bisque, LH
15A	316220215	-	- C -	Support, backguard, white, LH
19	316232635	A	- - D	Panel, backguard, black
19	316232636	-	B - -	Panel, backguard, bisque
19	316232634	-	- C -	Panel, backguard, white
20 #	316207511	A	B C D	Clock/Timer, electronic, ES300
20A	316220805	A	- - D	Overlay, clock, black, ES300
20A	316220806	-	B - -	Overlay, clock, bisque
20A	316220804	-	- C -	Overlay, clock, white, ES300
23	316220900	A	B C D	Bracket, clock mtg
24 #	316246001	A	- - D	Switch, rocker, black, oven light
24	316246002	-	B - -	Switch, rocker, bisque, oven light
24	316246000	-	- C -	Switch, rocker, white, oven light
31	316223002	A	- - D	Knob, black
31	316223003	-	B - -	Knob, control, bisque
31	316223000	-	- C -	Knob, control, white
46	316040201	A	B C D	Lens, indicator light, red
54 #	316021500	A	B C D	Switch, infinite, small element
54A#	316021501	A	B C D	Switch, infinite, large element
56	316234003	A	- - D	Shield, backguard, black, inner
56	316234004	-	B - -	Shield, backguard, bisque, inner
56	316234001	-	- C -	Shield, backguard, white, inner
69	5303288565	A	B C D	Screw, truss sqdr, 8-32 x 3/16, switch mtg
*	316021108	A	B C D	Screw, cup pt, 8-18 x 0.375, chrome
*	316021110	A	B C D	Screw, 8-18 x 0.5, black

BODY



NOTE: Oven Liner N/A
Ass. du four N/A

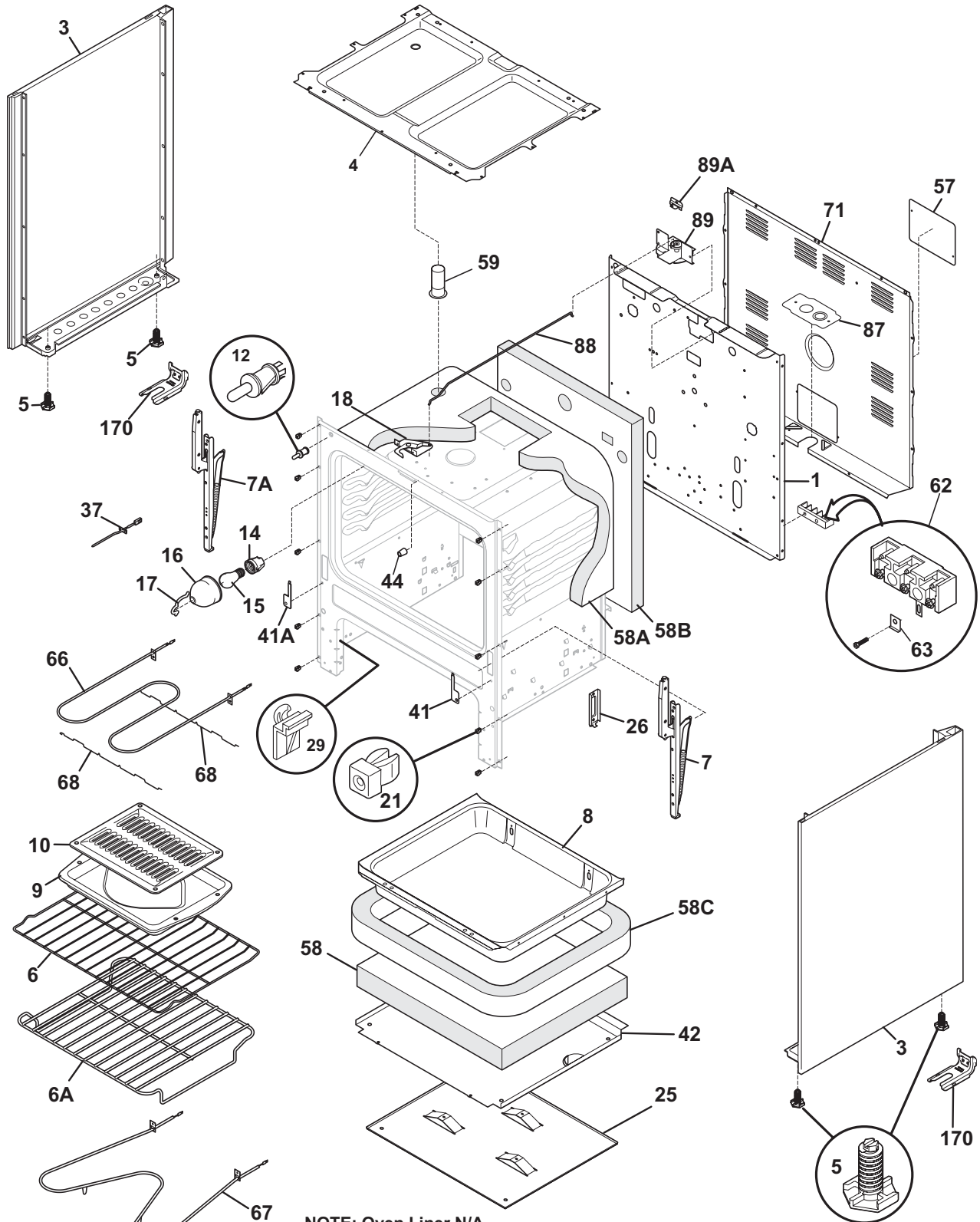
L20V0128

BODY

Model Index: A FEF355A (FEF355ABJ)
 B FEF355A (FEF355AQJ)
 C FEF355A (FEF355ASJ)
 D FEF355A (FEF355AWJ)

POS. NO	PART NO.	A	B	C	D	DESCRIPTION
1	316201300	A	B	C	D	Back, main
3	316216404	A	-	-	-	Panel, bodyside, black, RH
3	316216405	A	-	-	-	Panel, bodyside, black, LH
3	316216406	-	B	-	-	Panel, bodyside, bisque, RH
3	316216407	-	B	-	-	Panel, bodyside, bisque, LH
3	316216402	-	-	C	D	Panel, bodyside, white, RH
3	316216403	-	-	C	D	Panel, bodyside, white, LH
3*	316021132	A	-	-	-	Screw, bodyside, 8-18 X 11/16, black
3*	316021133	-	B	-	-	Screw, bodyside, 8-18 X 11/16, bisque
3*	316021131	-	-	C	D	Screw, bodyside, 8-18 X 11/16, white
4	316201401	A	B	C	D	Burner Box
5	316129200	A	B	C	D	Screw, leveling, plastic, with stop
6	316067902	A	B	C	D	Rack, oven
6A	316262900	A	B	C	D	Rack, oven sump
7	316216500	A	B	C	D	Hinge, oven door, RH
7A	316216505	A	B	C	D	Hinge, oven door, LH
8	316201501	A	B	C	D	Panel, sump, oven bottom
9	316081900	A	B	C	D	Pan, broiler
10	316082000	A	B	C	D	Insert, broiler pan
12 #	316209901	A	B	C	D	Switch, oven light/door
14	316116400	A	B	C	D	Receptacle, oven light
15	5303013071	A	B	C	D	Bulb/Lamp, oven light
16	08011086	A	B	C	D	Lens, oven light, glass
17	316087500	A	B	C	D	Retainer, lens
18 #	316213900	A	B	C	D	Latch, oven door
21	3014099	A	B	C	D	Spacer, bodyside
25	3200848	A	B	C	D	Shield, heat, lower
26	316206300	A	B	C	D	Support, chassis, (2)
28	316045000	A	B	C	D	Clip, wiring harness, green, main top
29	3051162	A	B	C	D	Glide, drawer, front
37 #	316233900	A	B	C	D	Probe, oven temp
41	316233400	A	B	C	D	Cover, hinge cutout, RH
41A	316233500	A	B	C	D	Cover, hinge cutout, LH
42	316206200	A	B	C	D	Shield, wool, lower
44	316246500	A	B	C	D	Spacer, oven door
57	316081100	A	B	C	D	Cover, access
58	316240300	A	B	C	D	Insulation, oven bottom
58A	316047708	A	B	C	D	Insulation, 2", oven wrapper
58B	316240100	A	B	C	D	Insulation, oven back
58C	316240400	A	B	C	D	Insulation, oven sump
59	316073604	A	B	C	D	Tube, oven vent
62	5303935238	A	B	C	D	Terminal Block Kit, w/ground plate
62*	316085600	A	B	C	D	Insulator
62*	316205500	A	B	C	D	Nut, hex flange, 3/8 10-32
63	316278800	A	B	C	D	Plate, grounding strap
66 #	316203200	A	B	C	D	Element, broil
67 #	316225000	A	B	C	D	Element, bake

BODY



NOTE: Oven Liner N/A
Ass. du four N/A

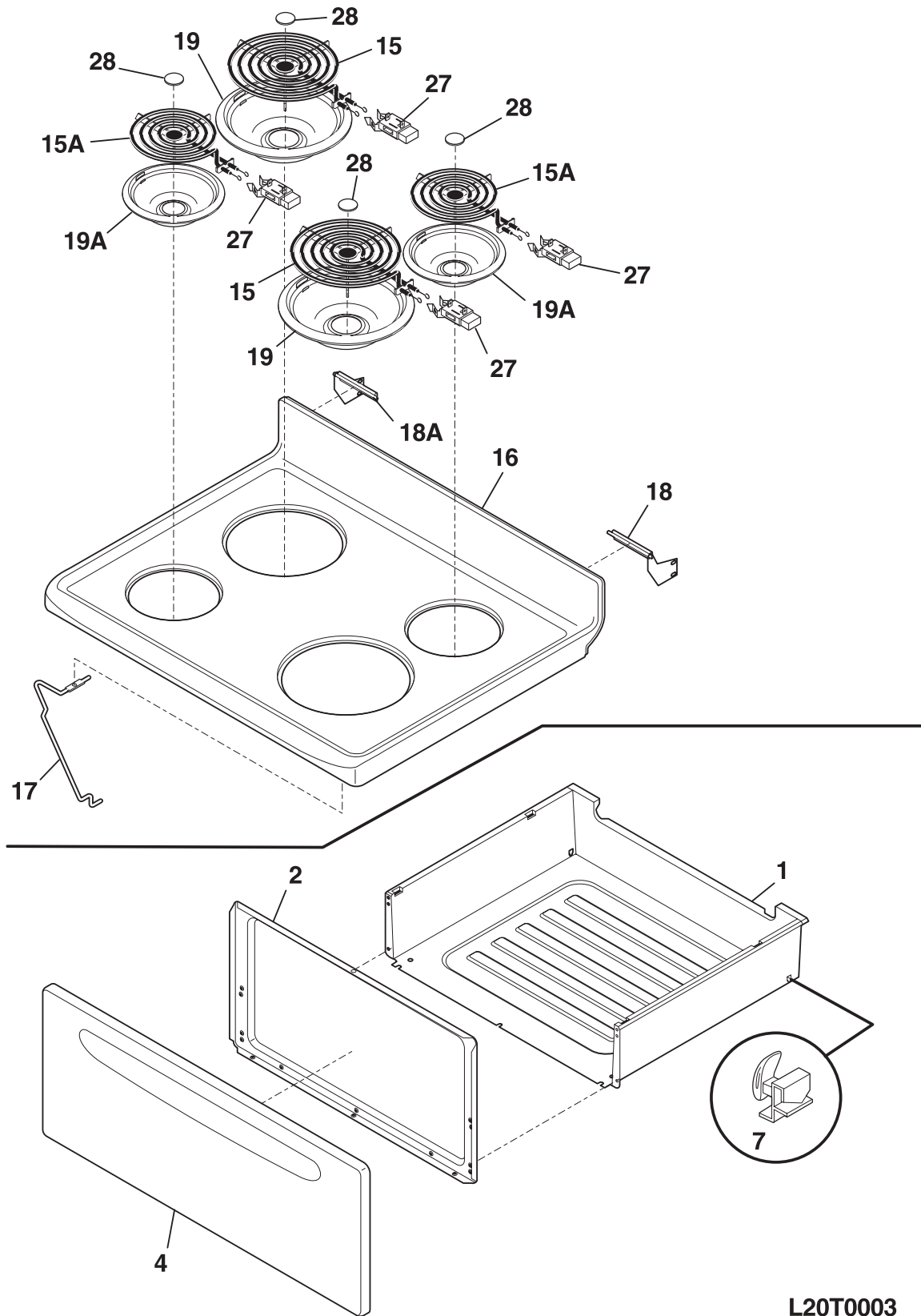
L20V0128

BODY

Model Index: A FEF355A (FEF355ABJ)
 B FEF355A (FEF355AQJ)
 C FEF355A (FEF355ASJ)
 D FEF355A (FEF355AWJ)

POS. NO	PART NO.				DESCRIPTION	
68	316203400	A	B	C	D	Support, broil element
71	316015810	A	B	C	D	Shield, rear wall, galv steel
87	316081200	A	B	C	D	Bracket, cable mtg
88	316203500	A	B	C	D	Rod, auto latch
89 #	316135202	A	B	C	D	Motor, latch/lock
89A	316245800	A	B	C	D	Bracket, latch, rear
170	5303935180	A	B	C	D	Anti-tip Kit, w/bracket, screw
170*	316107200	A	B	C	D	Bracket, anti-tip
170*	316112500	A	B	C	D	Template, anti-tip
170*	316116000	A	B	C	D	Screw, concrete, 1.75", anti-tip brkt
*	316269501	A	B	C	D	Harness, wiring, main
*	5303305345	A	-	-	D	Paint, touch-up, black
*	5304414035	-	B	-	-	Paint, touch-up, bisque
*	5303305324	-	-	C	D	Paint, touch-up, white
*	316021108	A	B	C	D	Screw, cup pt, 8-18 x 0.375, chrome
*	5303271648	A	B	C	D	Screw, wafer hd sq dr, 8-18AB x 0.5
*	5303280311	A	B	C	D	Screw, wafer hd sq dr, 10-32 x 0.312
*	5303285179	A	B	C	D	Screw, wafer head, 8-32T x 0.500, black
*	5308014215	A	B	C	D	Screw, 6-20 x 0.312

TOP/DRAWER



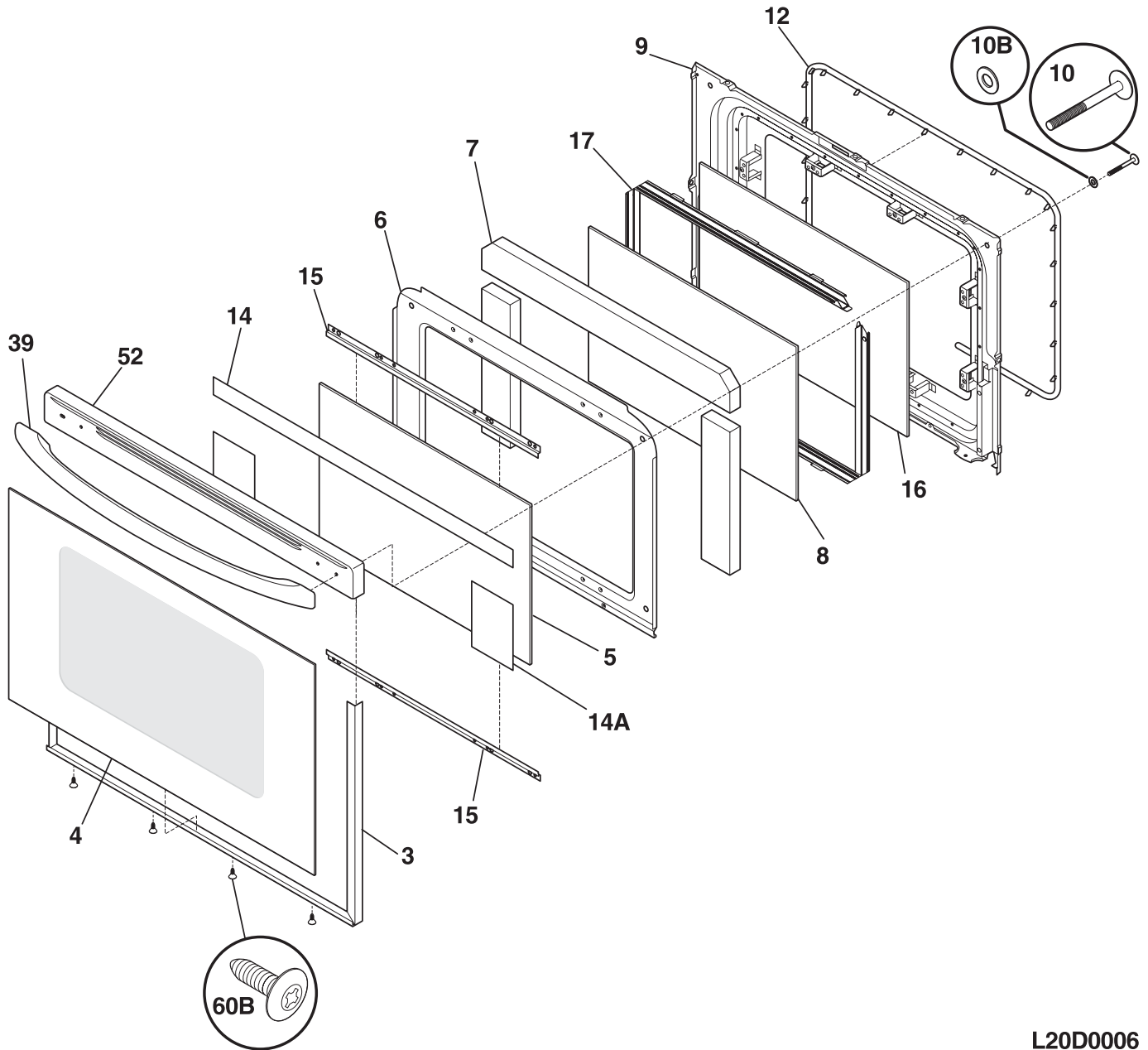
L20T0003

TOP/DRAWER

Model Index: A FEF355A (FEF355ABJ)
 B FEF355A (FEF355AQJ)
 C FEF355A (FEF355ASJ)
 D FEF355A (FEF355AWJ)

POS. NO	PART NO.				DESCRIPTION	
1	316011503	A	B	C	D	Drawer
2	316231500	A	B	C	D	Liner, drawer
4	316231306	A	-	-	-	Panel, drawer, black
4	316231309	-	B	-	-	Panel, drawer, bisque
4	316231305	-	-	C	D	Panel, drawer, white
7	3051163	A	B	C	D	Glide, drawer, rear
15 #	5303012223	A	B	C	D	Element, surface, 8", large
15A#	08067762	A	B	C	D	Element, surface, 6", small
16	316202306	A	-	-	-	Main Top, black
16	316202309	-	B	-	-	Main Top, bisque
16	316202307	-	-	C	D	Main Top, white
17	316057601	A	B	C	D	Rod, support, main top
18	316235900	A	B	C	D	Hinge, main top, RH
18A	316235901	A	B	C	D	Hinge, main top, LH
19 #	5303935053	A	-	-	D	Pan, surface element, black, lg/8 inch, (2), w/clip
19	316048419	-	B	-	-	Pan, surface element, beige, lg/8 inch, (2), w/clip
19	316048417	-	-	C	-	Pan, surface element, gray, lg/8 inch, (2), w/clip
19A#	5303935055	A	-	-	D	Pan, surface element, black, sml/6 inch, (2), w/clip
19A	316048420	-	B	-	-	Pan, surface element, beige, sml/6 inch, (2), w/clip
19A	316048418	-	-	C	-	Pan, surface element, gray, sml/6 inch, (2), w/clip
27 #	5303912666	A	B	C	D	Terminal Block Kit, surface element
28	3017801	A	B	C	D	Medallion, stainless steel, surf elem
28	5303017715	A	B	C	D	Medallion, 1 1/2"dia, black, surface element
* #	316253501	A	B	C	D	Wiring Harness, surface element
*	316058600	A	B	C	D	Clip, surface element, chrome, (4)
*	316021108	A	B	C	D	Screw, cup pt, 8-18 x 0.375, chrome
*	316021110	A	B	C	D	Screw, 8-18 x 0.5, black
*	5303280311	A	B	C	D	Screw, wafer hd sq dr, 10-32 x 0.312
*	5308014215	A	B	C	D	Screw, 6-20 x 0.312

DOOR



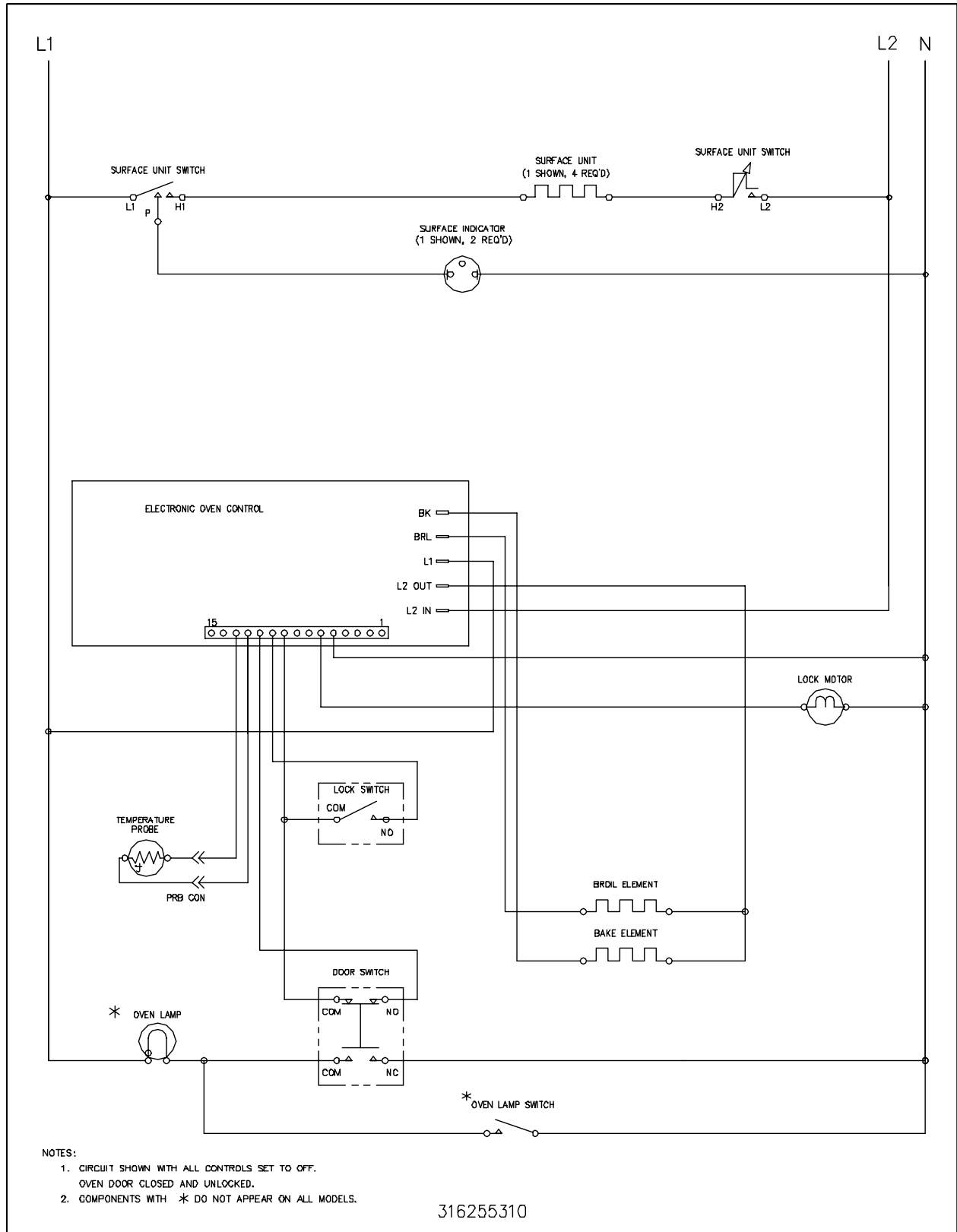
L20D0006

DOOR

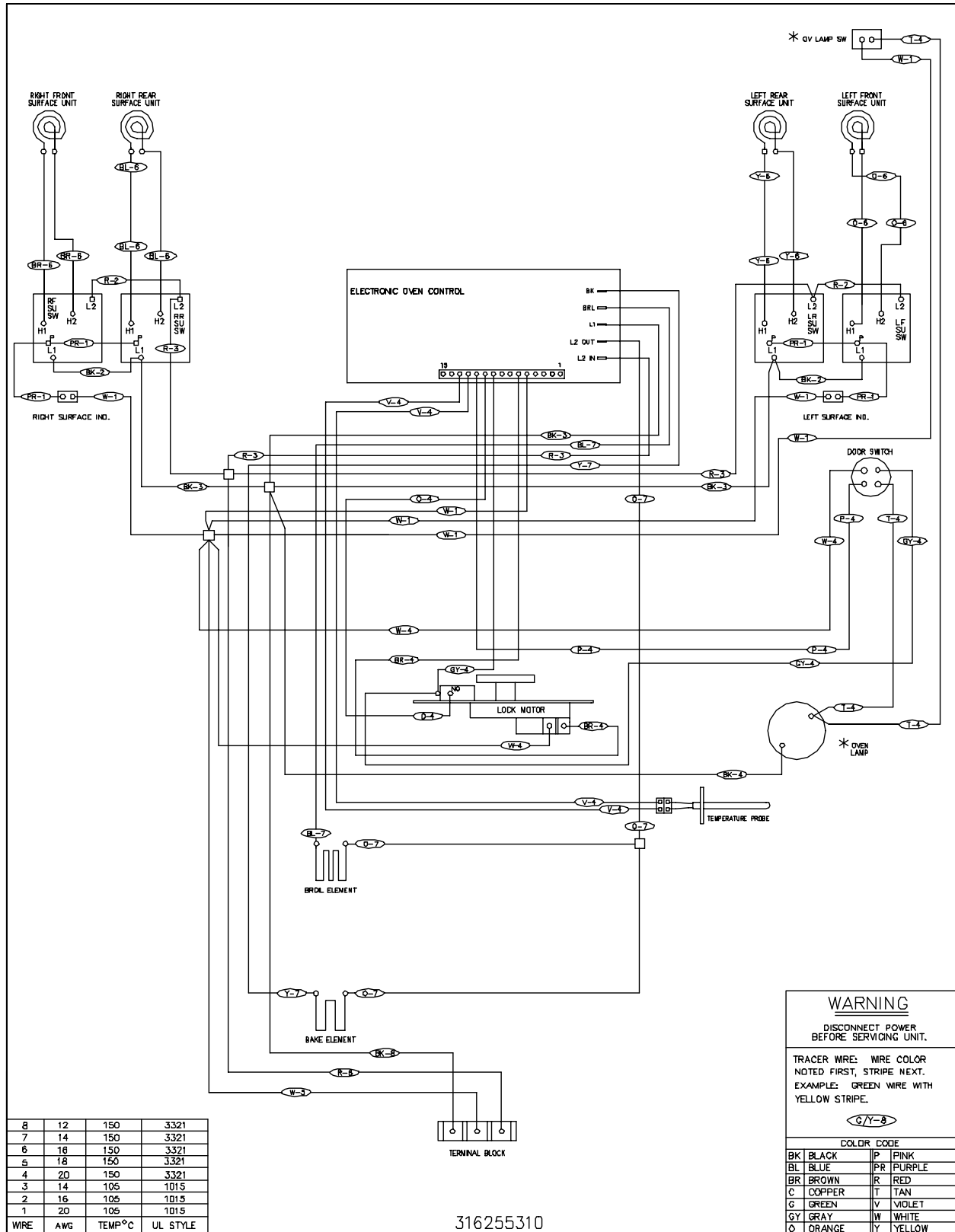
Model Index: **A** FEF355A (FEF355ABJ)
 B FEF355A (FEF355AQJ)
 C FEF355A (FEF355ASJ)
 D FEF355A (FEF355AWJ)

POS. NO	PART NO.		DESCRIPTION
3	5303935191	A - - D	Trim kit-door, 3 sided, black, w/tape and foil
3	5303935193	- B - -	Trim kit-door, 3 sided, bisque, w/tape and foil
3	5303935192	- - C -	Trim kit-door, 3 sided, white, w/tape and foil
4	5303935200	A - - D	Glass, door kit, black, outer, w/foil tape
4	5303935202	- B - -	Glass, door kit, bisque, outer, w/foil tape
4	5303935201	- - C -	Glass, door kit, white, outer, w/foil tape
5	316237000	A B C D	Glass, oven door, air wash
6	316222707	A B C D	Shield, wool, oven door
7	316236700	A B C D	Insulation, oven door
8	316237100	A B C D	Glass, oven door, clear, heat barrier
9	316230617	A B C D	Liner, oven door
10	316278700	A B C D	Screw, wafer head, 10-14 x 1 3/8, handle mtg
10B	316008401	A B C D	Washer, 3/4 OD x 1/4 ID, steel
12	316230901	A B C D	Seal, oven door
14	316102208	A - - D	Foil, 1.5" x 29", aluminum, black
14	316102207	- B C -	Foil, 1.5" x 29", aluminum, clear
14A	316102205	A - - D	Foil, 4" x 5.5", aluminum, black, (2)
14A	316102202	- B C -	Foil, 4" x 5.5", aluminum, clear, (2)
15	316237201	A B C D	Bracket, glass support, (2)
16	316117501	A B C D	Glass, oven door, inner
17	316117701	A B C D	Spacer, door glass, (2)
39	316270200	A - - D	Handle, door, black
39	316270202	- B - -	Handle, door, bisque
39	316270201	- - C -	Handle, door, white
52	316201005	A - - D	Cap, door trim, black
52	316201009	- B - -	Cap, door trim, bisque
52	316201003	- - C -	Cap, door trim, white
60B	316021110	A B C D	Screw, 8-18 x 0.5, black
*	316221001	A B C D	Label, anti-tip
*	5303271648	A B C D	Screw, wafer hd sq dr, 8-18AB x 0.5
*	5303280311	A B C D	Screw, wafer hd sq dr, 10-32 x 0.312
*	5303285179	A B C D	Screw, wafer head, 8-32T x 0.500, black

WIRING SCHEMATIC



WIRING DIAGRAM



8	12	150	3321
7	14	150	3321
6	16	150	3321
5	18	150	3321
4	20	150	3321
3	14	105	1015
2	16	105	1015
1	20	105	1015
WIRE	AWG	TEMP °C	UL STYLE

316255310

WARNING
DISCONNECT POWER BEFORE SERVICING UNIT.

TRACER WIRE: WIRE COLOR NOTED FIRST, STRIPE NEXT.
EXAMPLE: GREEN WIRE WITH YELLOW STRIPE.

GY-8

COLOR CODE			
BK	BLACK	P	PINK
BL	BLUE	PR	PURPLE
BR	BROWN	R	RED
C	COPPER	T	TAN
G	GREEN	V	VIOLET
GY	GRAY	W	WHITE
O	ORANGE	Y	YELLOW