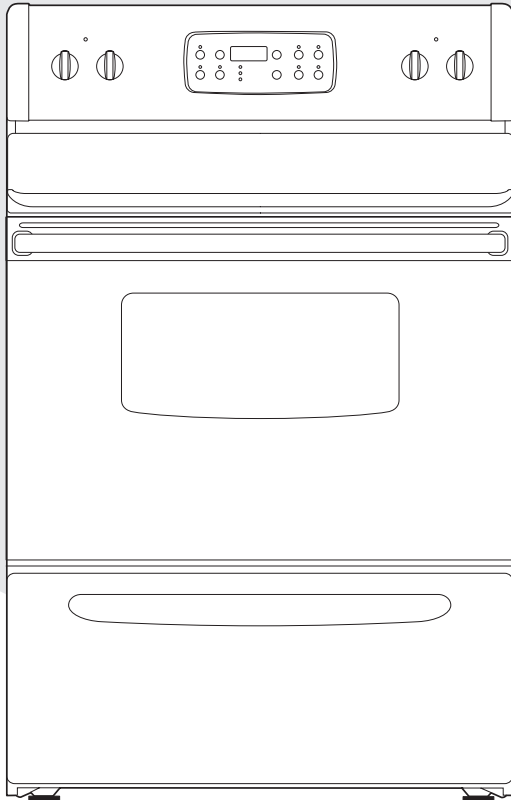


Frigidaire

Electrolux

FACTORY
PARTS CATALOG



PRODUCT NO.	BASE MODEL NO.	COLOR	MARKET	WIRING DIAGRAM
FEF365AQA	FEF365A	bisque	North America	316255173

SERVICE DATA SHEET - # 316218506
WIRING DIAGRAM - #316255173
OWNER'S GUIDE - # 316257105
INSTALLATION INSTRUCTIONS -# 316259200

**ELECTRIC
RANGE**

Model No.
FEF365A

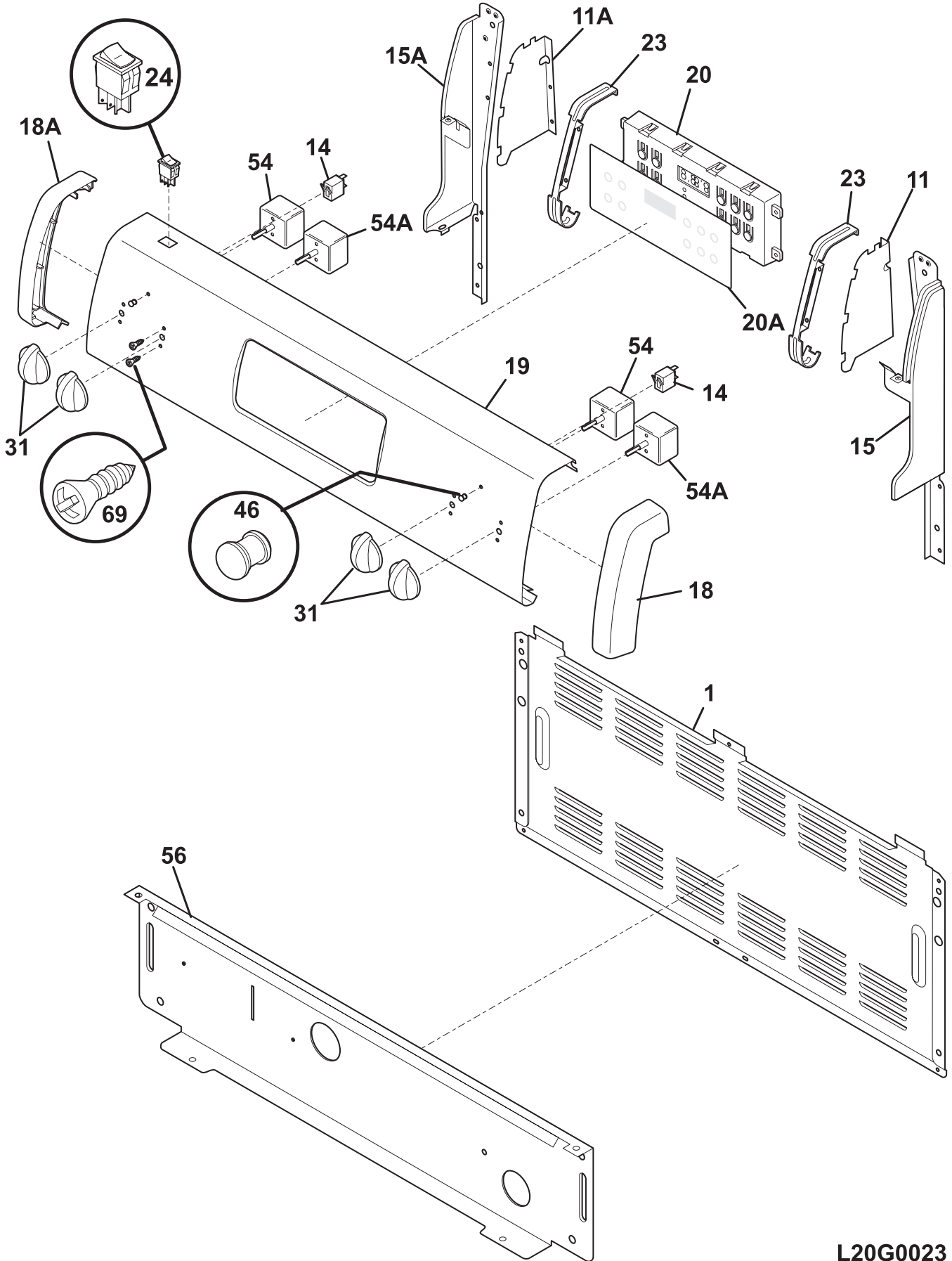
Electrolux

ELECTROLUX HOME PRODUCTS, INC.
P.O. Box 212378, Augusta, GA 30917

Publication No.
5995386447
030224
-EN/SERVICE /ECL
369

©2003 Electrolux Home Products, Inc.
All rights reserved

BACKGUARD

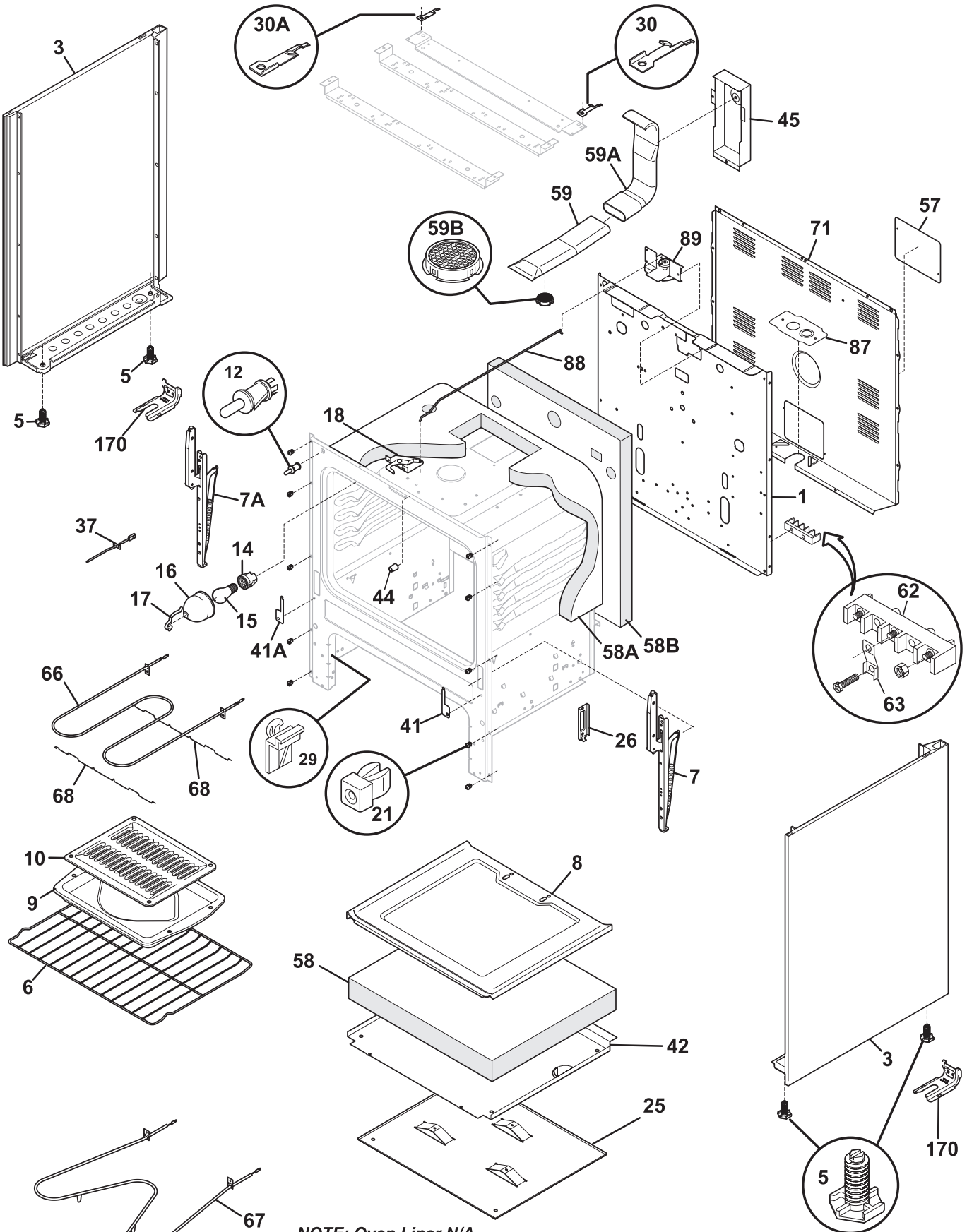


L20G0023

BACKGUARD

POS. NO	PART NO	DESCRIPTION
1	316239900	Shield,backguard ,rear wall
11	316241000	Shield,end cap ,RH
11A	316241001	Shield,end cap ,LH
14	316022500	Light/Lamp,indicator ,125 V
15	316220218	Support,backguard ,bisque ,RH
15A	316220219	Support,backguard ,bisque ,LH
18	316240906	End Cap,bisque ,RH
18A	316240907	End Cap,bisque ,LH
19	316244497	Panel,backguard ,bisque
20 #	316207505	Clock/Timer,electronic
20A	316220802	Overlay,clock ,bisque
23	316245900	Bracket,clock mtg
24	316246002	Switch,rocker ,bisque ,oven light
31	316223003	Knob,control ,bisque
46	316040201	Lens,indicator light ,red
54 #	316021500	Switch,infinite ,small element
54A#	316021501	Switch,infinite ,large element
56	316234004	Shield,backguard ,bisque ,inner
69	5303288565	Screw,truss sqdr ,8-32 x 3/16 ,switch mtg
*	316021108	Screw,cup pt ,8-18 x 0.375 ,chrome
*	316021110	Screw,8-18 x 0.5 ,black

BODY



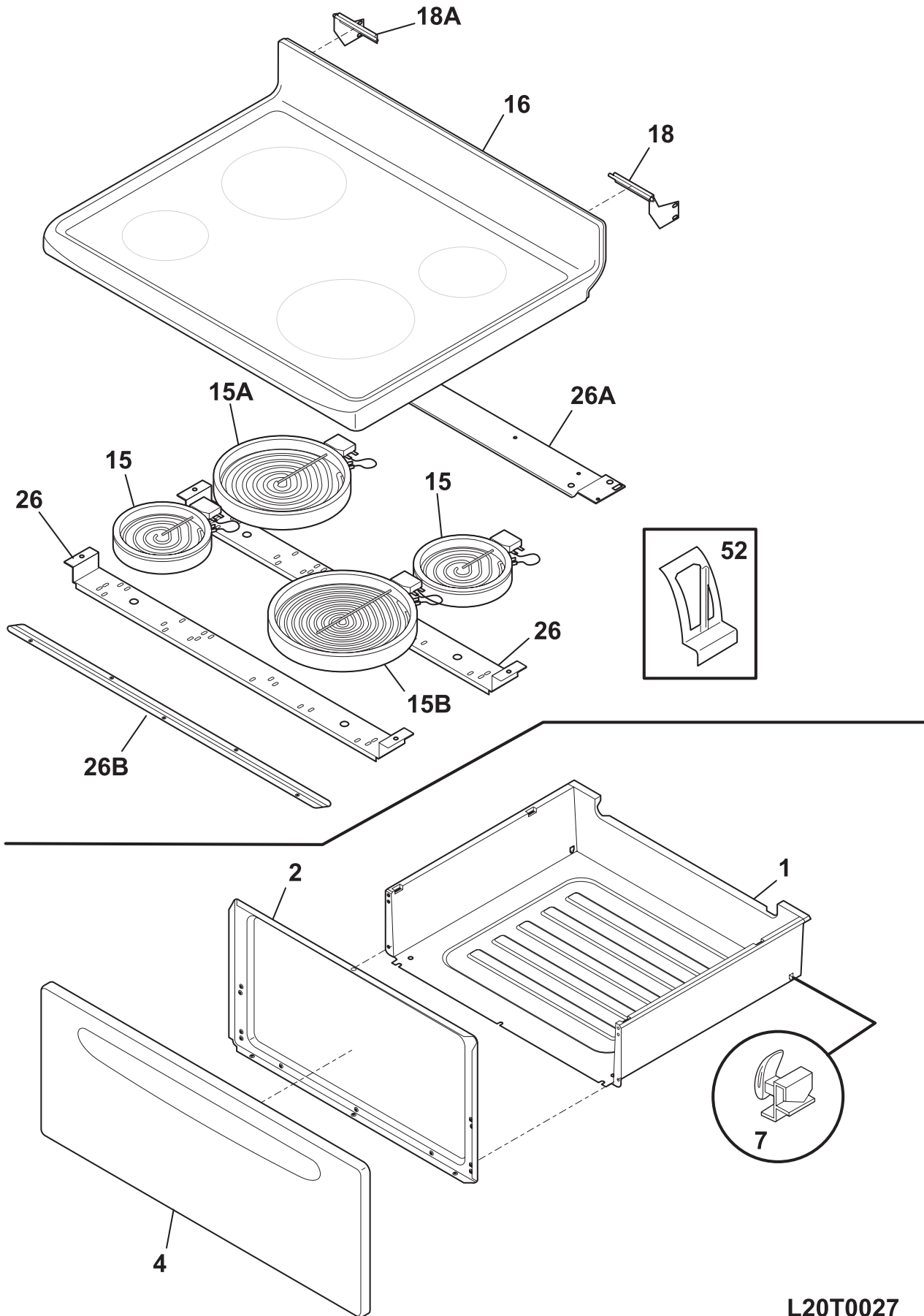
NOTE: Oven Liner N/A
Ass. du four N/A

L20V0076

BODY

POS. NO	PART NO	DESCRIPTION
1	316201300	Back,main
3	316216406	Panel,bodyside ,bisque ,RH
3	316216407	Panel,bodyside ,bisque ,LH
3*	316021133	Screw,bodyside ,8-18 X 1 1/16 ,bisque
5	316129200	Screw,leveling ,plastic ,with stop
6	316067902	Rack,oven
7	316216504	Hinge,oven door ,RH
7A	316216505	Hinge,oven door ,LH
8	3203540	Panel,oven bottom
9	316081900	Pan,broiler
10	316082000	Insert,broiler pan
12 #	316209901	Switch,oven light/door
14	316116400	Receptacle,oven light
15	5303013071	Bulb/Lamp,oven light
16	08011086	Lens,oven light ,glass
17	316087500	Retainer,lens
18 #	316213900	Latch,oven door
21	3014099	Spacer,bodyside
25	3200848	Shield,heat ,lower
26	316206300	Support,chassis ,(2)
29	3051162	Glide,drawer ,front
30	316217700	Bracket,hinge ,RH ,main top
30A	316217701	Bracket,hinge ,LH ,main top
37 #	316233900	Probe,oven temp
41	316233400	Cover,hinge cutout ,RH
41A	316233500	Cover,hinge cutout ,LH
42	316206200	Shield,wool ,lower
44	316246500	Spacer,oven door
45	316234100	Shield,wire ,vent tube
57	316081100	Cover,access
58	3200847	Insulation,oven bottom
58A	316047708	Insulation,2" ,oven wrapper
58B	316054202	Insulation,1" ,oven back
59	316208200	Tube,oven vent ,lower
59A	316208302	Tube,oven vent ,upper
59B	316247300	Catalyst,oven vent ,ceramic
62 #	5303935061	Terminal Block Kit
62*	316085600	Insulator
62*	316205500	Nut,hex flange ,3/8 10-32
63	316208500	Plate,grounding strap
66 #	316203200	Element,broil
67	316075103	Element,bake
68	316203400	Support,broil element
71	316015810	Shield,rear wall ,galv steel
87	316081200	Bracket,cable mtg
88	316203500	Rod,auto latch
89 #	316137500	Motor,latch
170	5303935180	Anti-tip Kit,w/bracket,screw
170*	316107200	Bracket,anti-tip
170*	316112500	Template,anti-tip
170*	316116000	Screw,concrete ,1.75" ,anti-tip brkt
* #	316253252	Wiring Harness,main
*	3203550	Plug,button ,oven bottom
*	5304414035	Paint,touch-up ,bisque
*	316021108	Screw,cup pt ,8-18 x 0.375 ,chrome
*	5303280311	Screw,wafer hd sq dr ,10-32 x 0.312
*	5303285179	Screw,wafer head ,8-32T x 0.500 ,black
*	5308014215	Screw,6-20 x 0.312

TOP/DRAWER

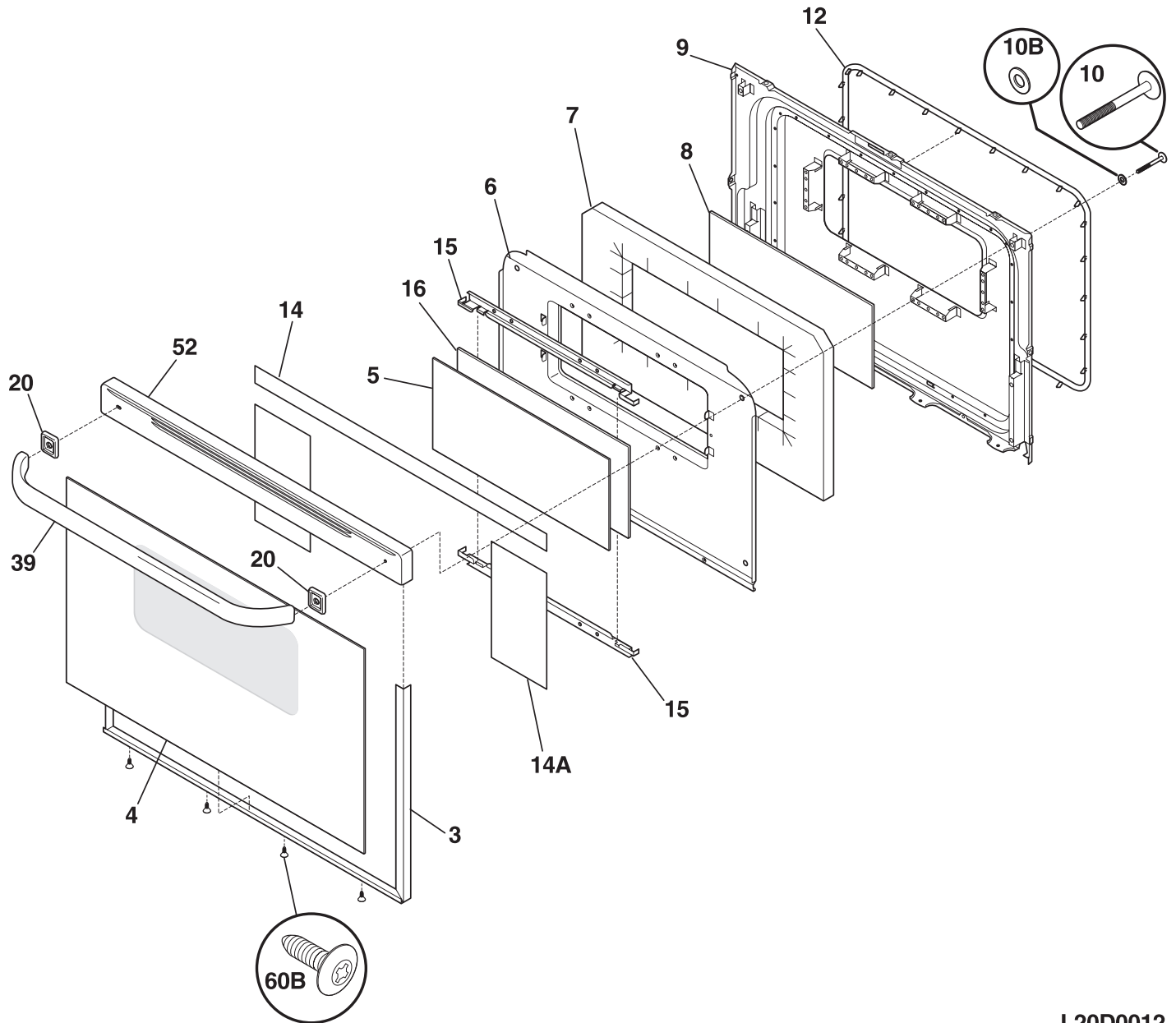


L20T0027

TOP/DRAWER

POS. NO	PART NO	DESCRIPTION
1	316011503	Drawer
2	316231500	Liner,drawer
4	316231309	Panel,drawer ,bisque
7	3051163	Glide,drawer ,rear
15 #	316010205	Element,surface ,6" ,1200 W ,radiant
15A#	316010206	Element,surface ,8" ,2200 W ,radiant
15B#	316224200	Element,surface ,9" ,2500W ,radiant
16	316251943	Main Top Assy,glass/steel ,bisque
18	316235900	Hinge,main top ,RH
18A	316235901	Hinge,main top ,LH
26	316230200	Channel,element support ,(2)
26A	316099200	Bracket,chassis support ,rear
26B	316214200	Bracket,chassis support ,front
52	316099400	Clip,element mtg
* #	316253518	Wiring Harness,surface element
*	316264000	Cleaner,cooktop
*	316021108	Screw,cup pt ,8-18 x 0.375 ,chrome
*	316021110	Screw,8-18 x 0.5 ,black
*	5303280311	Screw,wafer hd sq dr ,10-32 x 0.312
*	5308014215	Screw,6-20 x 0.312

DOOR

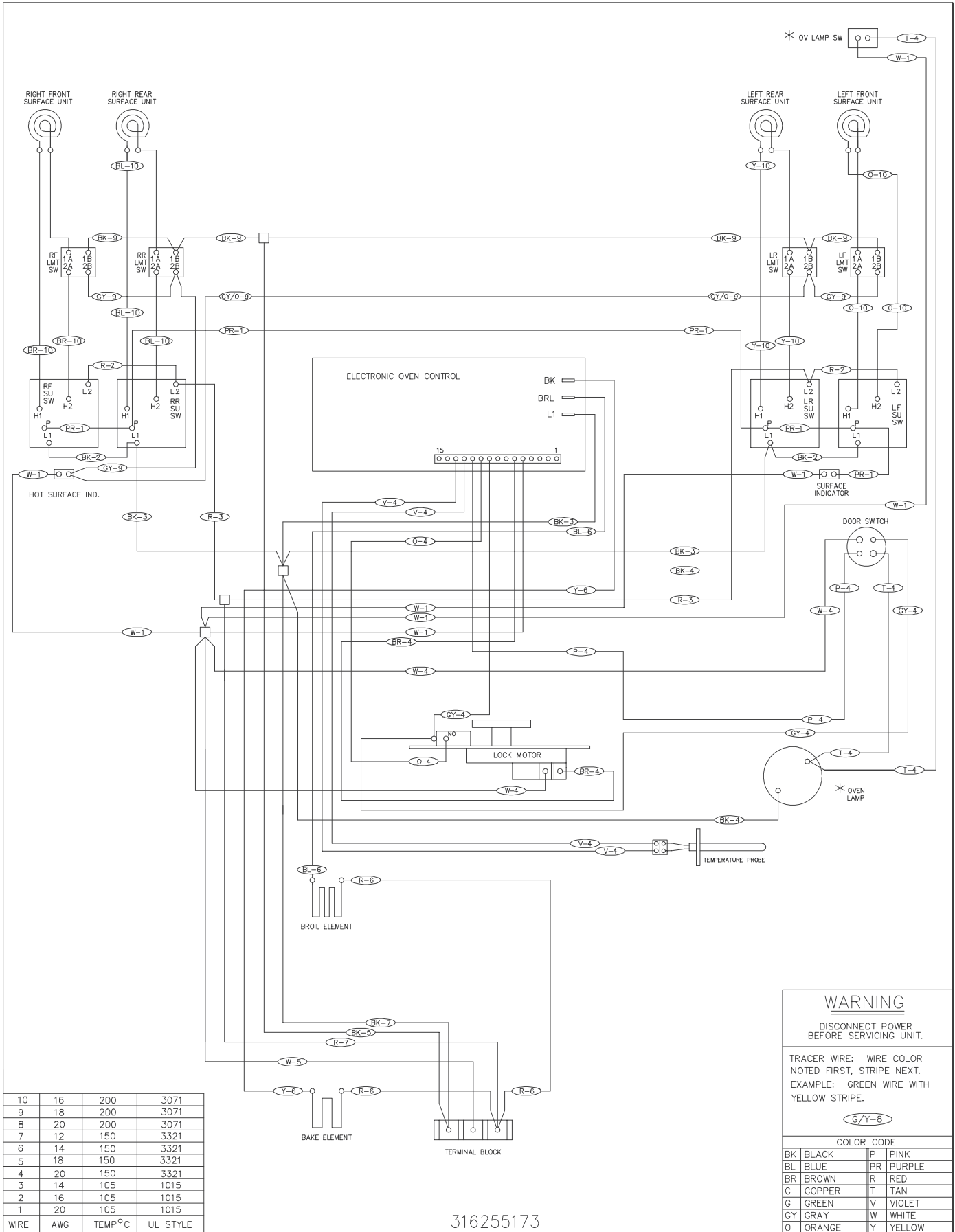


L20D0012

DOOR

POS. NO	PART NO	DESCRIPTION
3	5303935193	Trim kit-door,3 sided ,bisque ,w/tape and foil
4	5303935205	Glass,door kit ,bisque ,outer ,w/foil tape
5	316088700	Glass,oven door ,airwash
6	316222706	Shield,wool ,oven door
7	316236800	Insulation,oven door
8	316088600	Glass,oven door ,inner
9	316230604	Liner,oven door
10	316001014	Screw,waf hd sq ,10-24 x 1.6 ,handle ,(2)
10B	316008401	Washer,3/4 OD x 1/4 ID ,steel
12	316230901	Seal,oven door
14	316102207	Foil,1.5" x 29" ,aluminum ,clear
14A	3131360	Reflector,aluminum foil ,(2)
15	316081403	Bracket,glass mtg
16	316085701	Glass,oven door ,heat barrier
20	316248403	Spacer,handle ,bisque ,(2)
39	316248304	Handle,oven door ,bisque
52	316201009	Cap,door trim ,bisque
60B	316021110	Screw,8-18 x 0.5 ,black
*	316221001	Label,anti-tip
*	5303280311	Screw,wafer hd sq dr ,10-32 x 0.312
*	5303285179	Screw,wafer head ,8-32T x 0.500 ,black

WIRING DIAGRAM



10	16	200	3071
9	18	200	3071
8	20	200	3071
7	12	150	3321
6	14	150	3321
5	18	150	3321
4	20	150	3321
3	14	105	1015
2	16	105	1015
1	20	105	1015
WIRE	AWG	TEMP °C	UL STYLE

316255173

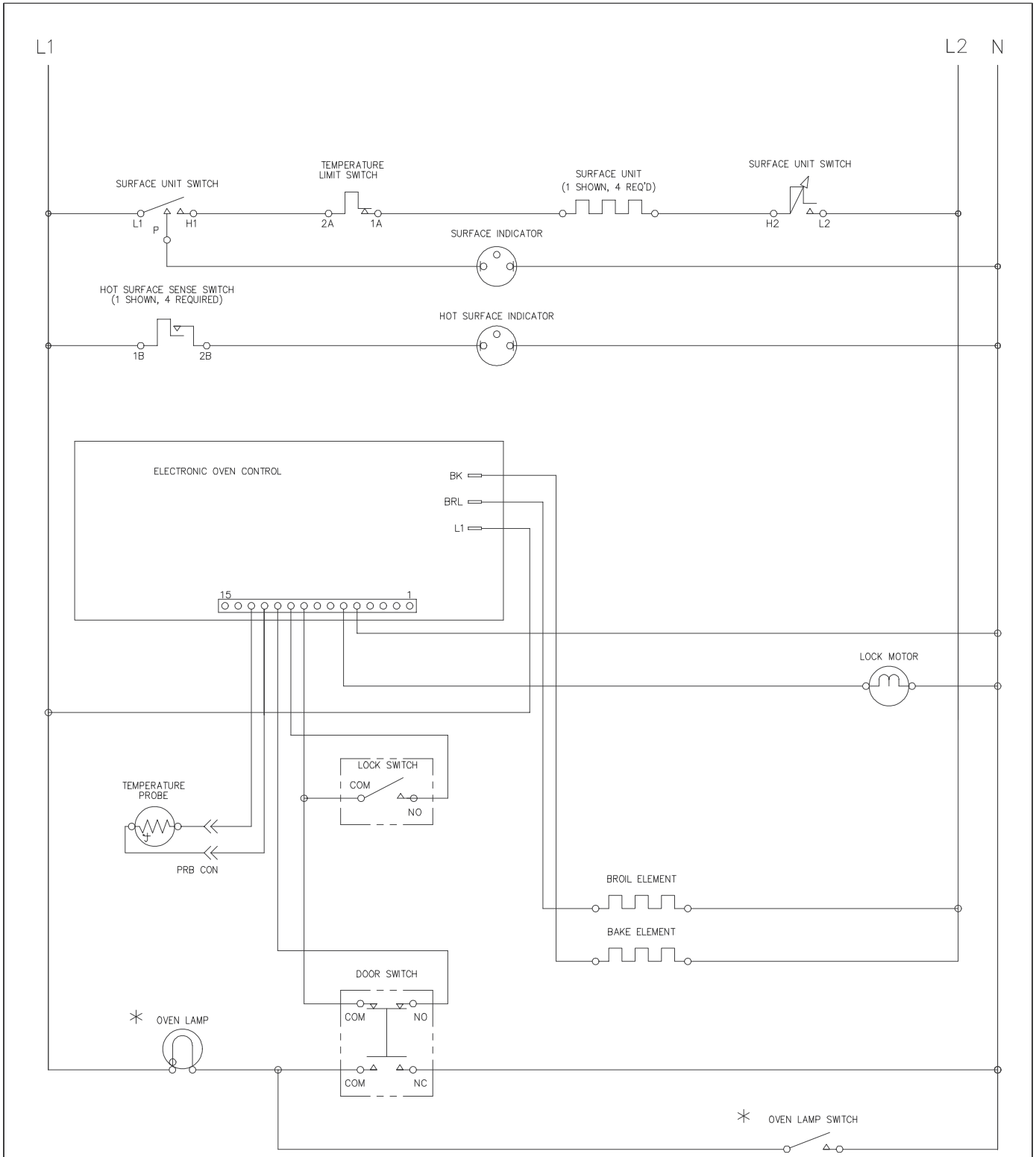
WARNING
DISCONNECT POWER BEFORE SERVICING UNIT.

TRACER WIRE: WIRE COLOR NOTED FIRST, STRIPE NEXT.
EXAMPLE: GREEN WIRE WITH YELLOW STRIPE.

G/Y-8

COLOR CODE			
BK	BLACK	P	PINK
BL	BLUE	PR	PURPLE
BR	BROWN	R	RED
C	COPPER	T	TAN
G	GREEN	V	VIOLET
GY	GRAY	W	WHITE
O	ORANGE	Y	YELLOW

WIRING SCHEMATIC



- NOTES:
1. CIRCUIT SHOWN WITH ALL CONTROLS SET TO OFF.
OVEN DOOR CLOSED AND UNLOCKED.
 2. COMPONENTS WITH * DO NOT APPEAR ON ALL MODELS.

316255173