



FRIGIDAIRE

Factory Parts Catalog

Product No.	FFET1022QB0	FFET1022QS0	FFET1022QW0
Series	EStar	EStar	EStar
Color	black	stainless	white
Volts	115	115	115
Wiring Diagram	242301700	242301700	242301700
Owner's Guide	242290701en	242290701en	242290701en
Market	North America	North America	North America
Service Data Sheet	242301700	242301700	242301700

Frigidaire

P.O. BOX 8020
CHARLOTTE, NC 28262

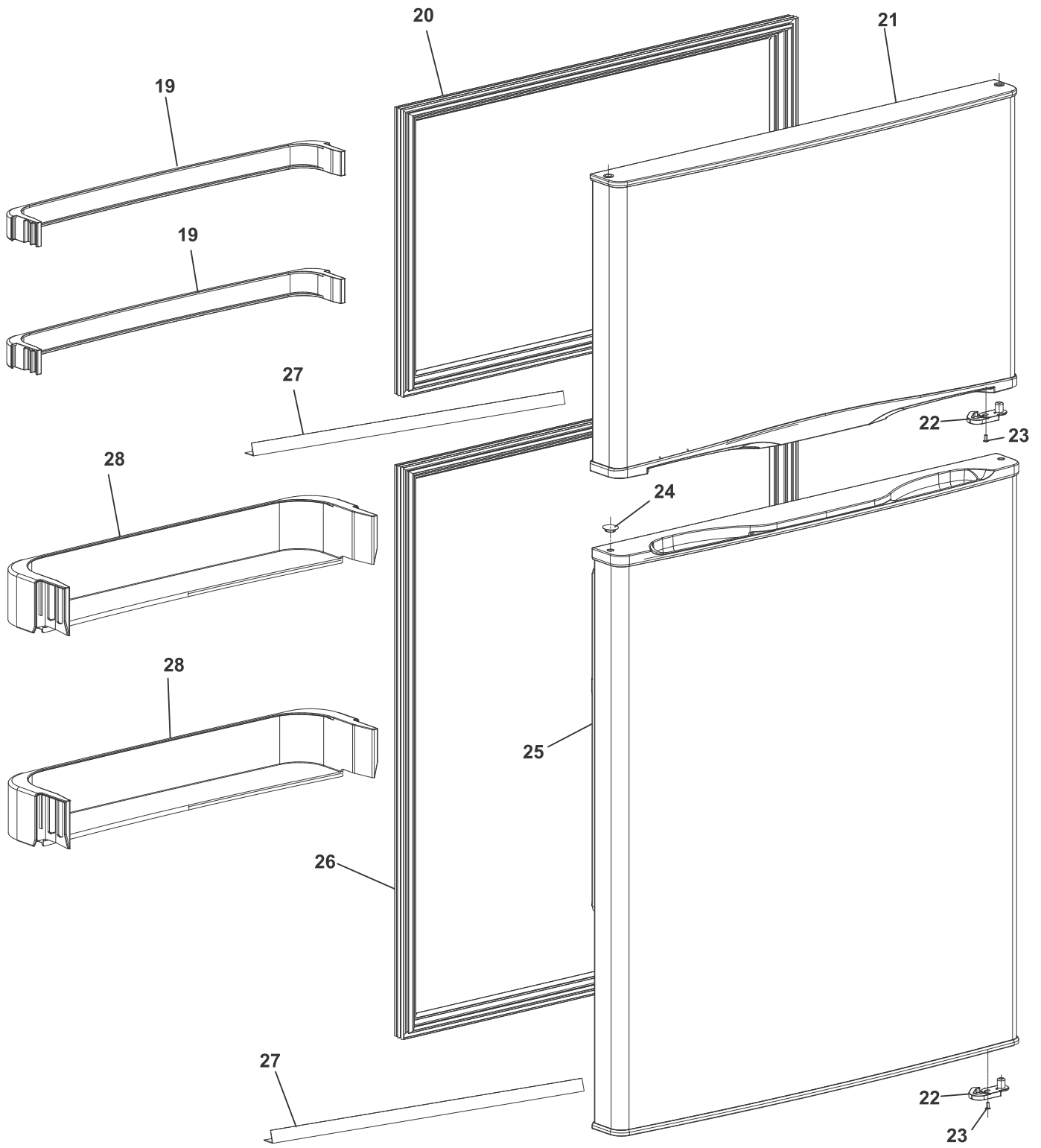
**This Publication Replaces
Publication # 5995669073**

Publication No.
5995679395
16/09/09
(EN/SERVICE/ECL)
099

TOP-MOUNT REFRIGERATOR

Model No.
FFET1022Q

DOOR



FFPT10F3NW0-Door

DOOR

Model Index: A FFET1022Q (FFET1022QB0)
 B FFET1022Q (FFET1022QS0)
 C FFET1022Q (FFET1022QW0)

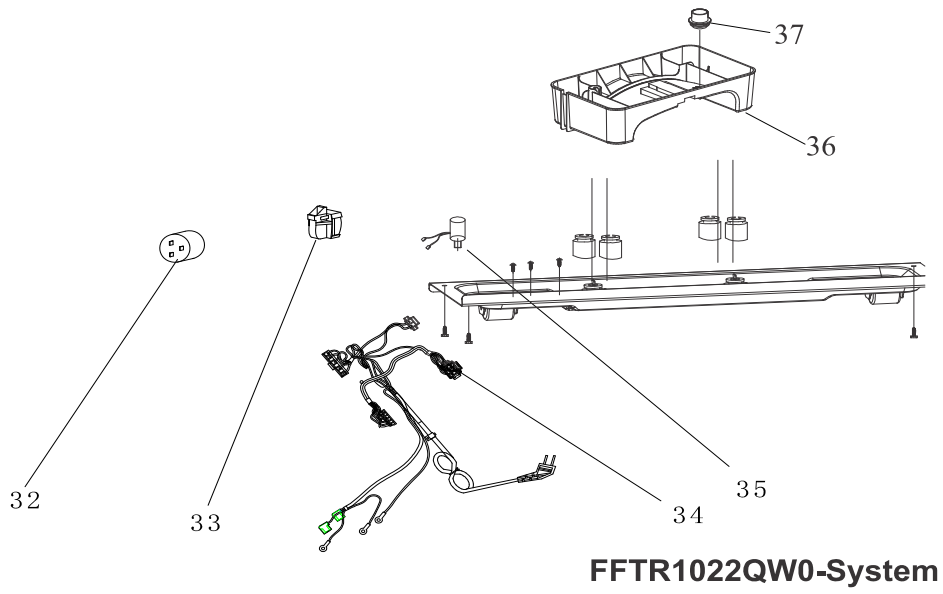
POS. NO	PART NO.		DESCRIPTION
19	5304490965	A B C	Rack, door, freezer
20 #	5304491297	A B -	Gasket, frzr door, gray
20 #	5304490966	- - C	Gasket, frzr door, white
21	5304491303	A - -	Door, frzr, black, assy
21	5304503881	- B -	Door, frzr, stainless, assy
21	5304490967	- - C	Door, frzr, white, assy
22	5304490968	A B C	Closer, door stop, w/hinge pin
23	5304491047	A B C	Screw, (2)
24	5304491299	A B -	Plug, hinge hole, black
24	5304490969	- - C	Plug, hinge hole, white
25	5304491304	A - -	Door, refr, black, assy
25	5304503882	- B -	Door, refrigerator, stainless, assy
25	5304490970	- - C	Door, refr, white, assy
26 #	5304491301	A B -	Gasket, refr door, gray
26 #	5304490971	- - C	Gasket, refr door, white
27	5304491326	A B C	Seal, inner door
28	5304490973	A B C	Bin, refr door, large

CABINET/CONTROLS

Model Index: A FFET1022Q (FFET1022QB0)
 B FFET1022Q (FFET1022QS0)
 C FFET1022Q (FFET1022QW0)

POS. NO	PART NO.		DESCRIPTION
2	5304487853	A B -	Cover, hinge holes, black, top
2	5304470308	- - C	Cover, hinge holes, white, top
3	5304486197	A B -	Cover, top hinge, black
3	5304470306	- - C	Cover, top hinge, white
4	5304470307	A B C	Hinge, top
5	5304486754	A B C	Hinge, middle
6	5304480019	A B C	Screw, hinge, (6)
9	5304498684	A B C	Bracket, fan mount
10	5304498683	A B C	Cover, fan air duct, rear
11 #	5304490957	A B C	Fan Blade
12	5304490958	A B C	Damper, fan air
13	5304490959	A B C	Channel, air, foam
14	5304491325	A B C	Cover, fan air duct, front
15	5304490961	A B C	Screw, air duct cover
16	5304490962	A B C	Cover, screw, (2)
17	5304490963	A B C	Knob, damper control, freezer
18	5304490964	A B C	Shelf, freezer, wire
29	5304470324	A B C	Pan, crisper
30	5304490974	A B C	Shelf, crisper cover, glass
31	5304490975	A B C	Shelf, glass, refrigerator
34	5304498685	A B C	Control Box, air duct cover
35	5304498686	A B C	Screw, control box
36	5304490978	A B C	Cover, lamp
37	5304491050	A B C	Duct, air, rear, inner
38	5304491051	A B C	Duct, air, rear, outer
39	5304491052	A B C	Screw, (3)
40	5304490979	A B C	Hinge, bottom
41 #	5304498687	A B C	Switch, lamp/light
42	5304490980	A B C	Leveling Foot, adjustable
47 #	5304498690	A B C	Thermostat, defrost, w/temp fuse
48 #	5304491703	A B C	Heater, defrost
56 #	5304498691	A B C	Motor, fan
57	5304498692	A B C	Lamp, light bulb
58 #	5304498693	A B C	Lamp Holder, socket
59	5304498694	A B C	Housing, control board, main
60 #	5304498695	A B C	PC Board, control, main
61	5304498696	A B C	Cover, PC board, main
* #	5304499413	A B C	Sensor, temp, fresh food area

SYSTEM



FFTR1022QW0-System

SYSTEM

Model Index: **A** FFET1022Q (FFET1022QB0)
 B FFET1022Q (FFET1022QS0)
 C FFET1022Q (FFET1022QW0)

POS. NO	PART NO.		DESCRIPTION
32 #	5304499410	A B C	Overload Protector, compressor
33 #	5304499411	A B C	Starter, PTC
34 #	5304491328	A B C	Power Cord, electric
35 #	5304499412	A B C	Capacitor
36	5304503880	A B C	Drain Pan
37	5304507516	A B C	Valve, duck bill, rubber, drain tube

WIRING DIAGRAM

