

FRIGIDAIRE

Factory Parts Catalog

Product No.	FFPT10F0KV0	FFPT10F0KW0	FFPT12F0KV0	FFPT12F0KW0
Series	left hand door	right hand door	left hand door	right hand door
Color	white	white	white	white
Volts	115	115	115	115
Wiring Diagram	241794800	241794800	241794800	241794800
Owner's Guide	241794902en	241794902en	241794902en	241794902en
Market	North America	North America	North America	North America
Service Data Sheet	241794800	241794800	241794800	241794800

Frigidaire

P.O. BOX 8020
CHARLOTTE, NC 28262

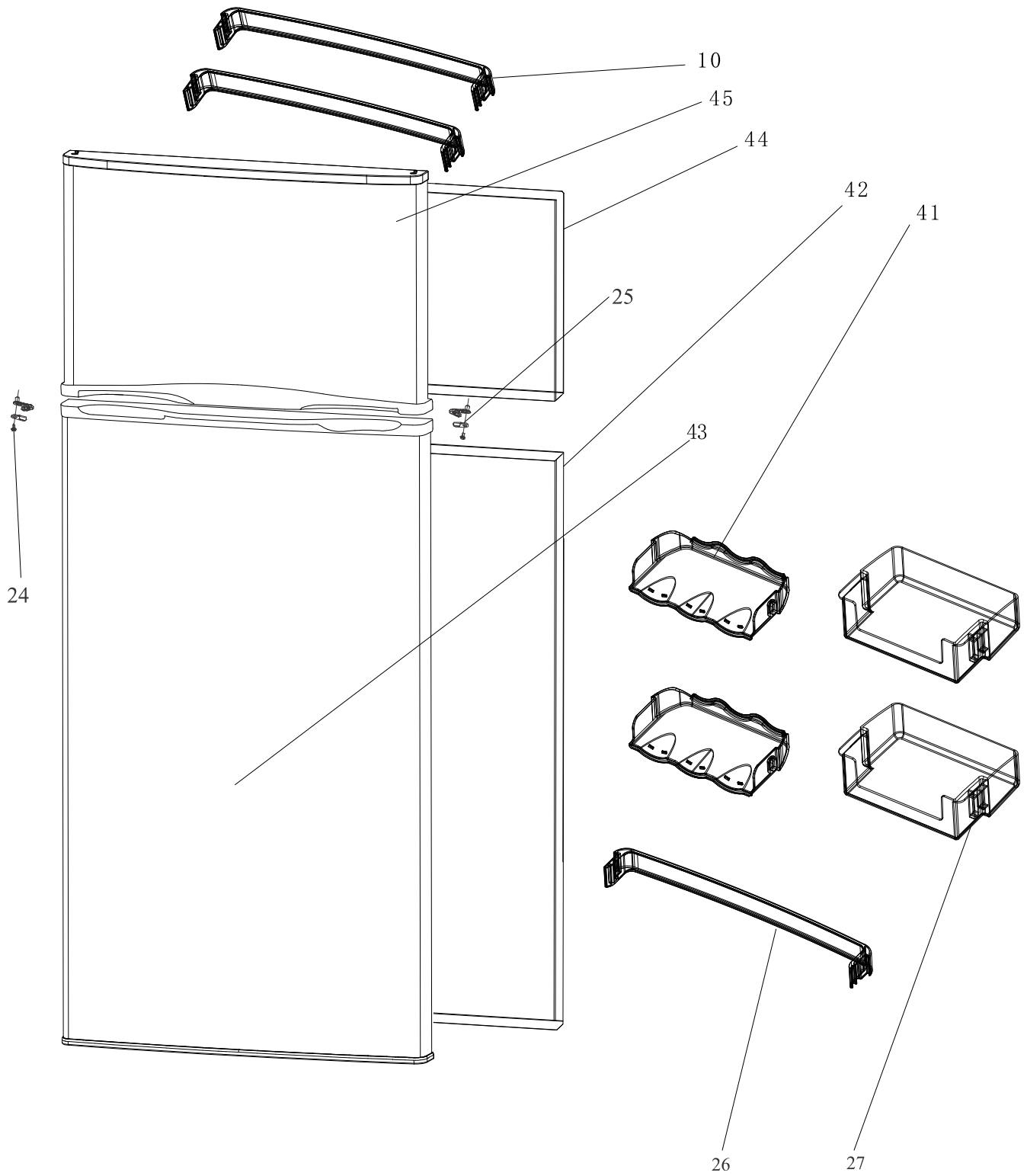
This Catalog replaces 5995614327

Publication No.
5995614939
12/06/13
(EN/SERVICE/KC)
099

TOP-MOUNT REFRIGERATOR

Model No.
FFPT10F0K /
FFPT12F0K

DOOR



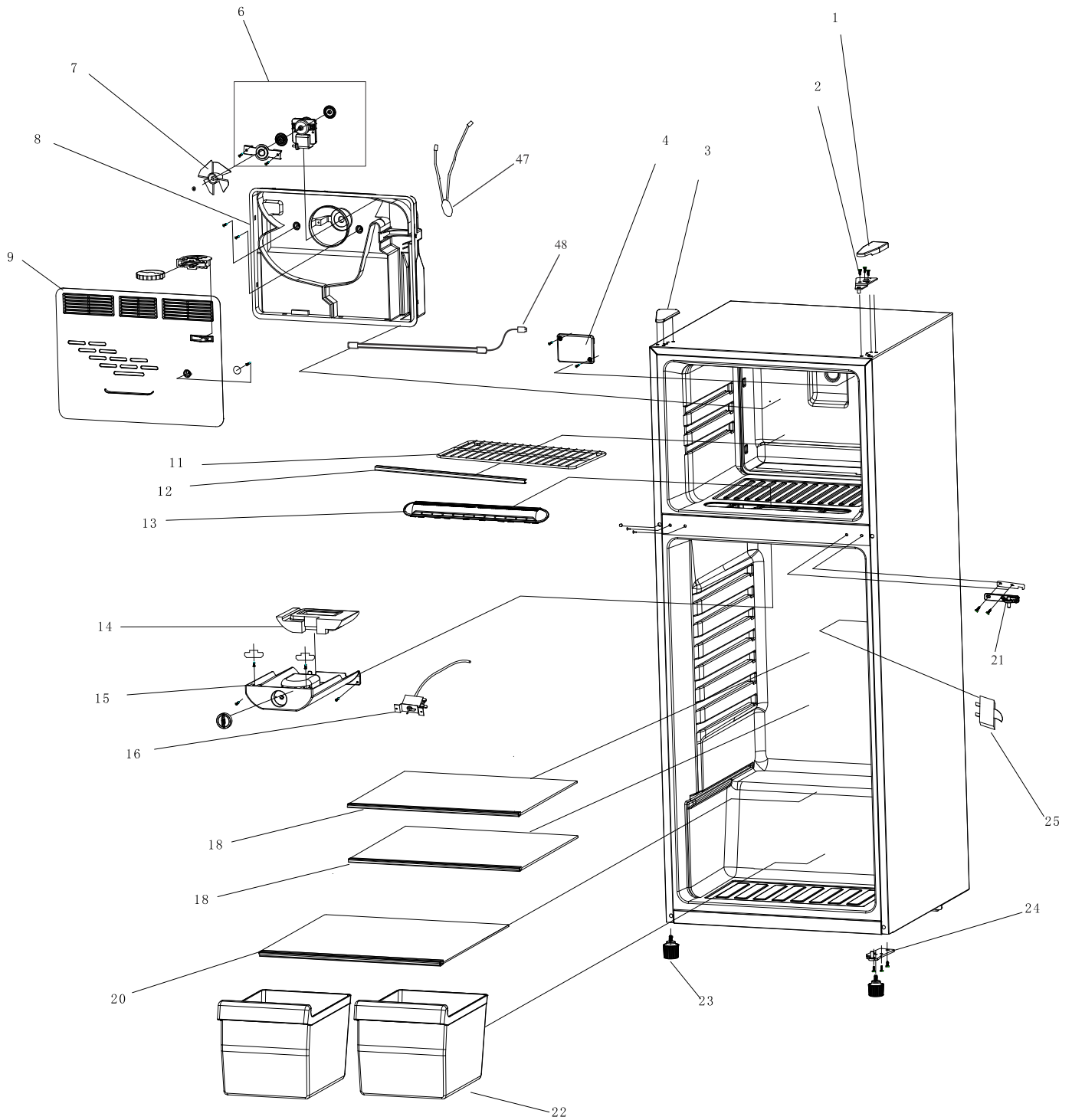
FFPT10F0KW0_Door

DOOR

Model Index: **A** FFPT10F0K (FFPT10F0KV0)
 B FFPT10F0K (FFPT10F0KW0)
 C FFPT12F0K (FFPT12F0KV0)
 D FFPT12F0K (FFPT12F0KW0)

POS. NO	PART NO.				DESCRIPTION	
10	5304470314	A	B	C	D	Rack, door, freezer
24	5304486755	A	B	C	D	Closer, door, left
25	5304486756	A	B	C	D	Closer, door, right
26	5304470328	A	B	C	D	Rack, door, refrigerator
27	5304470329	A	B	C	D	Bin, door
41	5304470341	A	B	C	D	Tray, can dispenser
42 #	5304470342	A	B	C	D	Gasket, refr door, white, magnetic
43	5304475836	A	B	-	-	Door, refr, white, complete assy
43	5304475837	-	-	C	D	Door, refr, white, complete assy
44 #	5304470343	A	B	C	D	Gasket, frzr door, white, magnetic
45	5304475838	A	B	C	D	Door, frzr, white, complete assy

CABINET/CONTROLS



FFPT10F0KW0_Cabinet

CABINET/CONTROLS

Model Index: A FFPT10F0K (FFPT10F0KV0)
 B FFPT10F0K (FFPT10F0KW0)
 C FFPT12F0K (FFPT12F0KV0)
 D FFPT12F0K (FFPT12F0KW0)

POS. NO	PART NO.				DESCRIPTION	
1	5304470306	A	B	C	D	Cover, upper hinge
2	5304470307	A	B	C	D	Hinge, upper
3	5304470308	A	B	C	D	Cover, hinge holes, white
4	5304470309	A	B	C	D	Cover, junction box
6 #	5304470310	A	B	C	D	Motor Assembly, evaporator
7 #	5304470311	A	B	C	D	Blade, fan
8	5304470312	A	B	C	D	Duct, freezer
9	5304470313	A	B	C	D	Cover, evaporator coil
11	5304470316	A	B	-	-	Shelf, freezer, wire
11	5304470315	-	-	C	D	Shelf, freezer, wire
12	5304470355	A	B	C	D	Trim, shelf
13	5304470317	A	B	C	D	Cover, return air duct
14	5304470318	A	B	C	D	Deflector, air
15	5304470320	A	B	C	D	Cover, airduct/control
16 #	5304470321	A	B	C	D	Control, temperature, thermostat
18	5304470357	A	B	-	-	Shelf, glass, refrigerator
18	5304470356	-	-	C	D	Shelf, glass, refrigerator
20	5304470358	A	B	C	D	Shelf, glass, crisper cover
21	5304486754	A	B	C	D	Hinge, middle
22	5304470324	A	B	C	D	Pan, crisper
23	5304470325	A	B	C	D	Leveling Foot, adjustable, left
24	5304470326	A	B	C	D	Hinge/Leveling Foot Assy, right
25 #	5304470327	A	B	C	D	Switch, light
47 #	5304487805	A	B	C	D	Thermostat, defrost, w/temp fuse
48 #	5304475839	A	B	C	D	Heater, defrost

SYSTEM



N05CM0

SYSTEM

Model Index: **A** FFPT10F0K (FFPT10F0KV0)
 B FFPT10F0K (FFPT10F0KW0)
 C FFPT12F0K (FFPT12F0KV0)
 D FFPT12F0K (FFPT12F0KW0)

POS. NO	PART NO.					DESCRIPTION
28 #	5304470332	A	B	C	D	Timer, defrost
29 #	5304470333	A	B	C	D	Terminal Block, main
30	5304470334	A	B	C	D	Cover, terminal
31	5304470335	A	B	C	D	Cover, relay/starter
32 #	5304470336	A	B	C	D	Overload Protector
33 #	5304470337	A	B	C	D	Starter, PTC
34 #	5304470339	A	B	C	D	Power Cord, electric
35 #	5304470340	A	B	C	D	Capacitor

WIRING DIAGRAM

