

FRIGIDAIRE

Factory Parts Catalog

Product No.	FFU14F5HWP
Series	Easy Set
Color	white
Volts	115V
Wiring Diagram	297246001
Owner's Guide	297281400
Market	North America
Energy Guide	216795317

Frigidaire

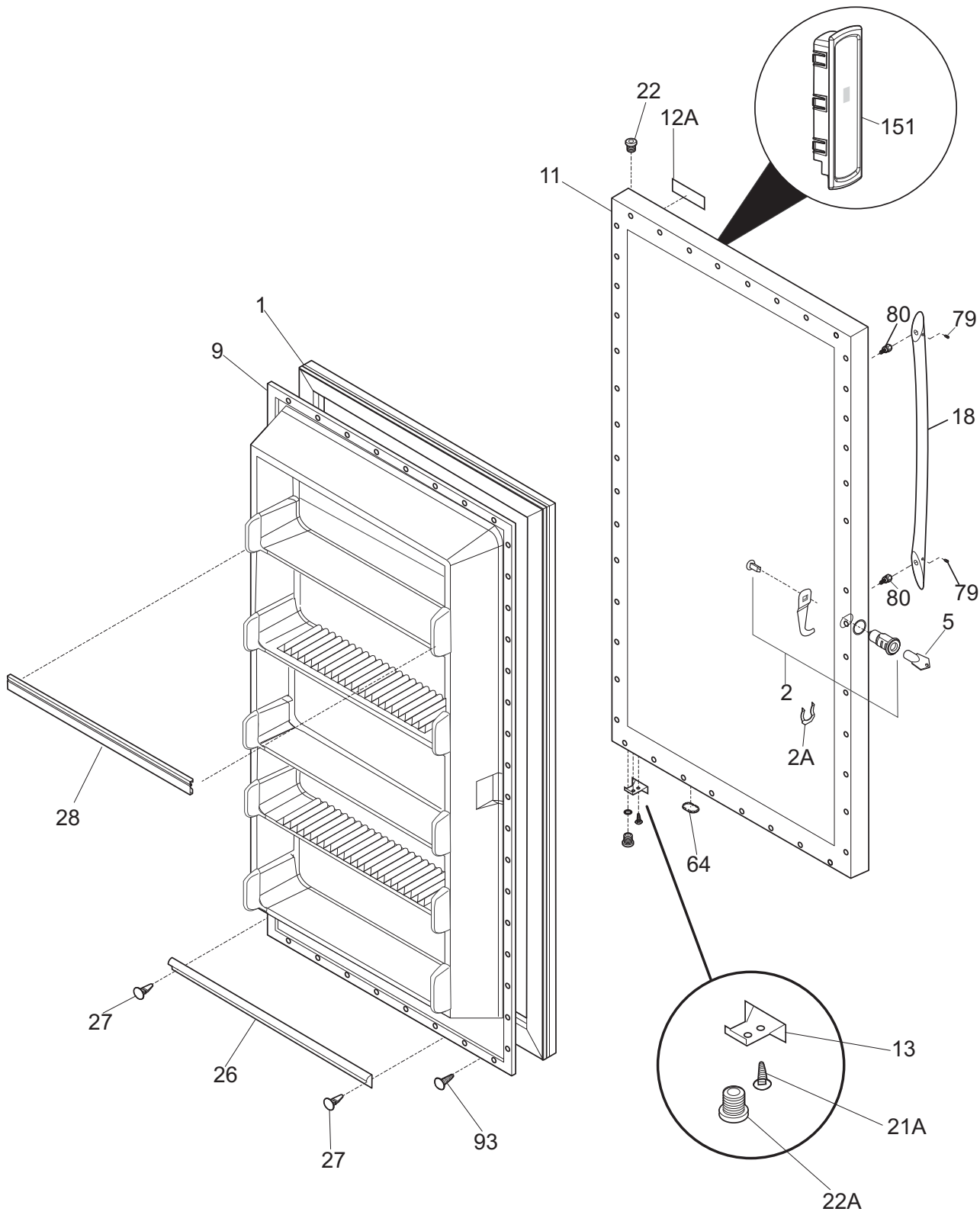
P.O. BOX 8020
CHARLOTTE, NC 28262

UPRIGHT FREEZER

Model No.
FFU14F5HW

Publication No.
5995613931
12/06/01
(EN/SERVICE/MJW)
365

DOOR

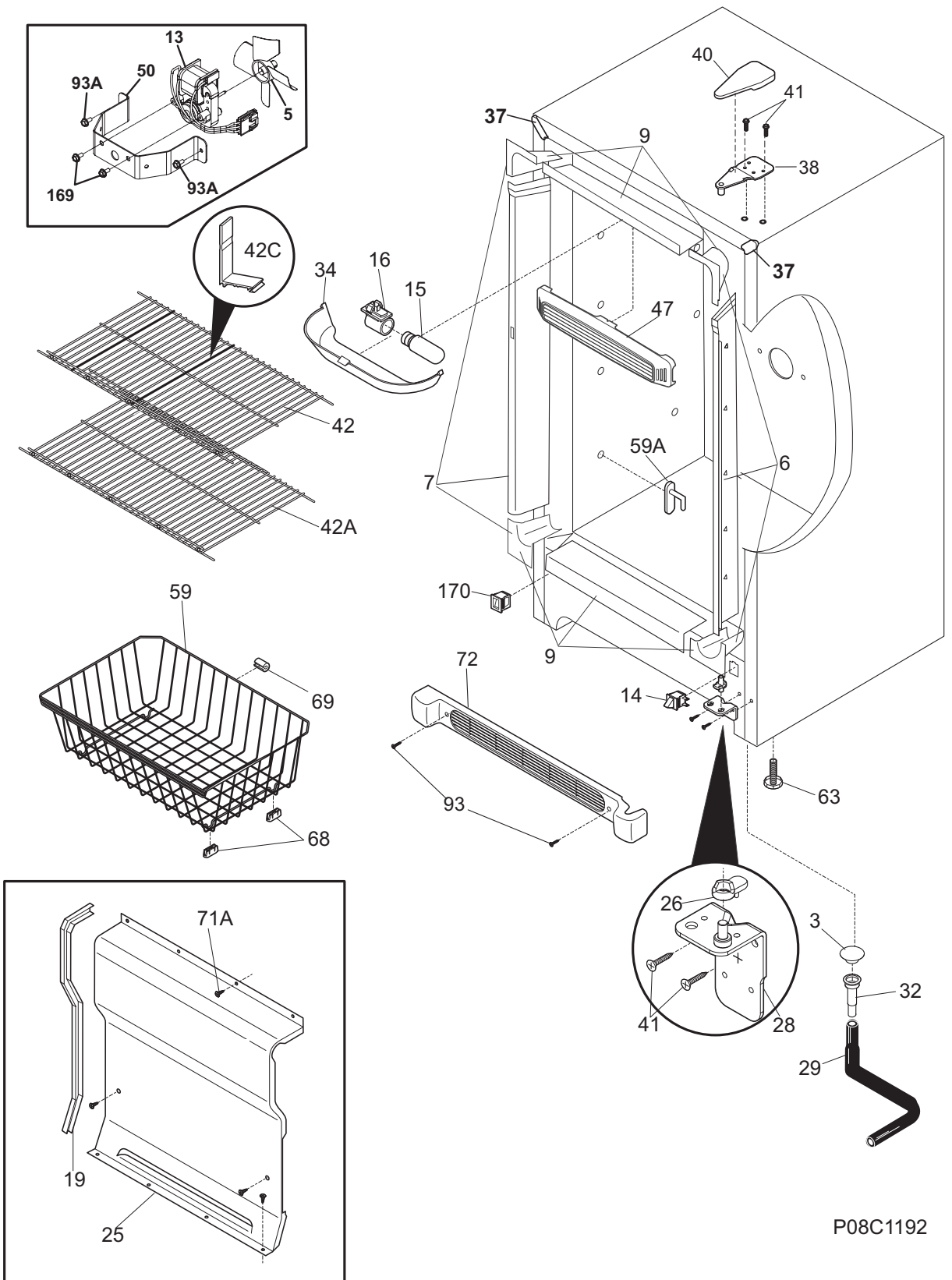


P08D0608

DOOR

POS. NO	PART NO.	DESCRIPTION
1	216522356	Gasket, door seal, white
2	297318600	Lock Assy
2A	297213300	Clip, spring
5	297147700	Key, lock
9	216527615	Panel-inner door, frzr
11	297316303	Panel-outer door, white
12A	242062801	Nameplate, white
13	297257000	Door Stop, chrome, RH
18	297031820	Handle, upright, white, w/set screw
21A	297197500	Screw, door stop mtg, FH38-16X.750, P Twin
22	216970800	Bearing, hinge w/o'ring, top
22A	297006800	Bearing-hinge, btm, w/o'ring
26	216524301	Gasket, secondary
27	5304472186	Clip, panel mtg
27*	5304406520	Clip, panel mtg kit, (40)
28	216951601	Rack-door, (5)
64	216403700	Plug-button, hole filler, door base
79	216912201	Screw-set, 10-32 x1.100
80	218755504	Screw-shoulder, #10 AB, handle mounting
93	5304460605	Screw, ph truss head, 8-18AB x 0.500
151#	297370600	Control-electronic, assy, white, 115V

CABINET

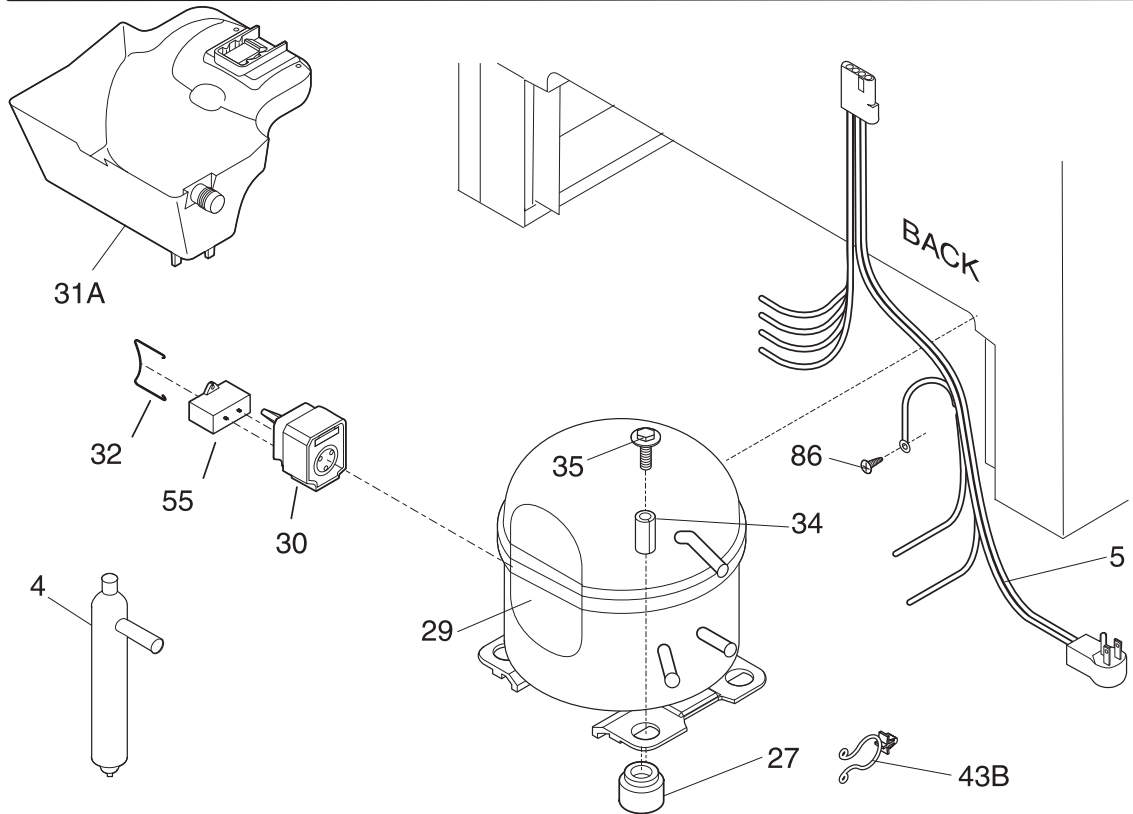
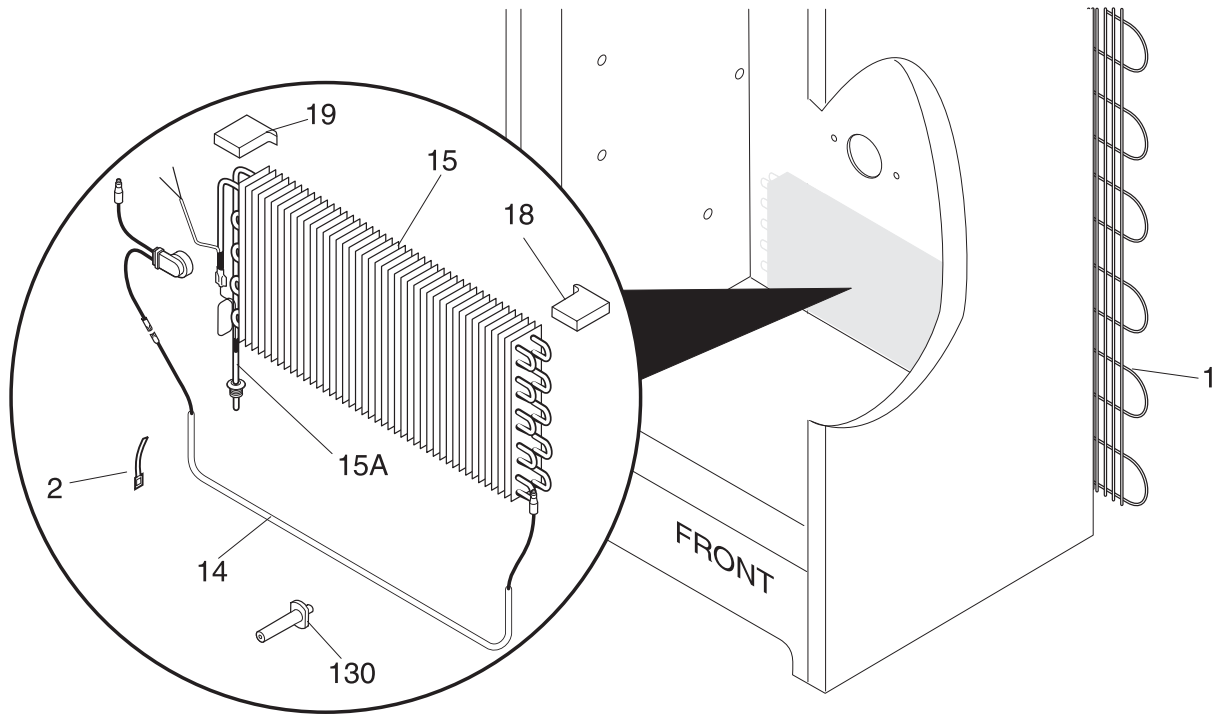


P08C1192

CABINET

POS. NO	PART NO.	DESCRIPTION
3	216503100	Screen-drain
5 #	216325600	Fan Blade
6	297200300	Breaker Kit w/corners, no lock slot
7	297200500	Breaker Kit w/corners, incl lock catch
9	297200200	Breaker Kit w/corners, 28", top and bottom
13 #	297250000	Motor, fan, 115 V
14	216822900	Switch, light/lamp, ramp
15	216846400	Light Bulb/Lamp
16	297139500	Socket, light/lamp
19	216204900	Gasket, evap cover
25	297098651	Cover-evaporator
26	216503300	Ramp, door closer
28	297283900	Hinge-bottom, stepped pin
29	216313504	Hose-drain
32	5308005500	Drain
34	297184400	Shield-light
37	297273900	Trim-cabinet corner, white, (2)
38	297283800	Hinge-upper
40	297164400	Cover-hinge
41	297236200	Screw, tamper proof, 1/4-20 x 5/8
42	216546100	Shelf, 16.69 X 23.88 WH, 16.69x23.88, white, (2)
42A	297119901	Shelf, 14.50 X 23.88, white
*	216502400	Grommet-shelf mtg
42C	297183702	Divider, blue, wire shelf
47	297192900	Baffle, air
50	216394050	Bracket, fan motor mount
59	297343300	Basket, bottom
59A	216486500	Stop-basket, (2)
63	216396900	Screw, leveling foot, plastic, adjustable
63*	297164650	Bracket, LH leg levelor
63*	297164651	Bracket, RH leg levelor
68	08009560	Glide-basket
69	5305878546	Bumper-basket
71A	297146820	Screw, 8-18AB x.470 QX
72	297199000	Grille/Kickplate, 28", white
93A	297174300	Screw, self pierce, #8, 18x.63
169	216912401	Screw, hex washer head, 8-32 x 0.500, bracket fan mtr, (2)
170	297280400	Valve, breather
*	5303305324	Paint, touch-up, white
*	216795317	Energy Guide
*	297241400	Label, EZ start guide
*	297001704	Insulation, 24", drain tube

SYSTEM



P08S0422A

SYSTEM

POS. NO	PART NO.	DESCRIPTION
1 #	5300123788	Condenser
2	5308000110	Strap-evap/heater, aluminum, (2)
4	216987501	Dryer-filter
5 #	297237600	Harness-main
5*	240555002	Screw-#8-32 X 3/8
14 #	297348701	Heater, defrost, w/thermostat, 115V, term. switch
15 #	297414800	Evaporator
15A	216565700	Heat Exchanger
18	297078701	Insulator-evap, styrofoam, RH
19	297078801	Insulator-evap, styrofoam, LH
27	5308002681	Grommet, compressor
29 #	297223600	Compressor, w/o electricals
30	216954214	Controller, compressor
31A	297413500	Pan-drain
32	216954300	Clip, controller
34	5306594529	Sleeve-compressor
35	297368500	Bolt, compressor
43B	297315800	Clip, wire
55	216985001	Capacitor-run, 15 MF
86	216036601	Screw, RWHD, 8-32A x 0.500, GX-CA
100#	297169904	Cord-power
130	297244700	Support, evaporator mtg
*	216502500	Sleeve, suction line
*	297014702	Plug-suction line
*	297018400	Thermistor
*	297102800	Spacer-tube
*	297174300	Screw, self pierce, #8, 18x.63