



*Frigidaire*

Factory Parts Catalog

|                           |                |
|---------------------------|----------------|
| Product No.               | FGB24T3ECE     |
|                           | 38454413B50S5  |
| Series                    | 24" double gas |
| Color                     | stainless      |
| Market                    | North America  |
| Wiring Diagram            | 318046309      |
| Owner's Guide             | 318200963      |
| Installation Instructions | 318201554      |
| Timer Guide               | 318200144      |

 **Electrolux**

Electrolux Major Appliances  
North & Latin America  
P.O. BOX 212378  
AUGUSTA, GA 30917

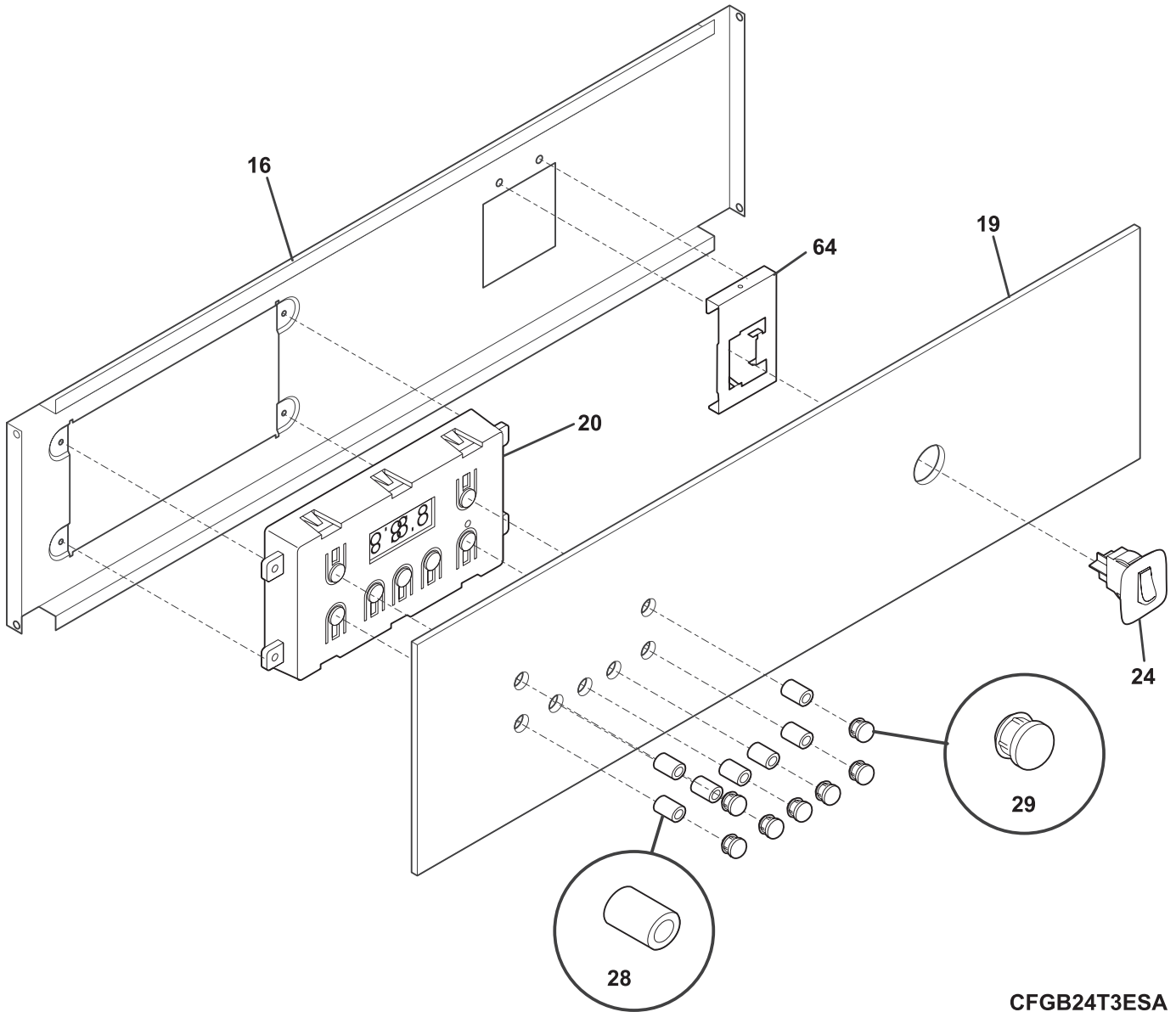
Publication No.  
**5995550588**  
09/08/27  
(EN/SERVICE/BJH)  
377

**DOUBLE GAS WALL  
OVEN**

**Model No.  
FGB24T3E**

Copyright © 2009 Electrolux Home Products, Inc.  
All rights reserved.

**CONTROL PANEL**



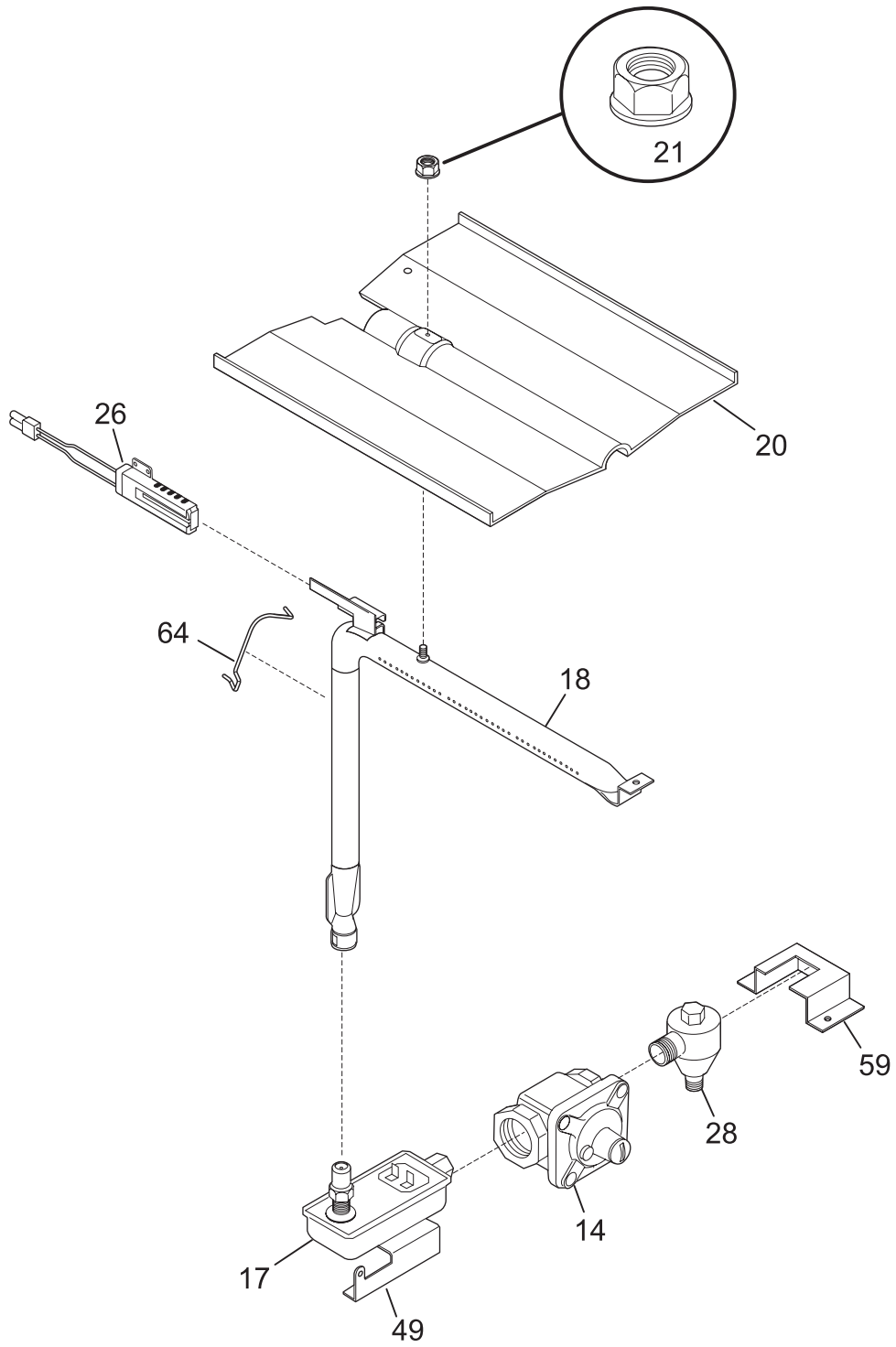
**CFGB24T3ESA**

**CONTROL PANEL**

---

| POS. NO | PART NO.   | DESCRIPTION                     |
|---------|------------|---------------------------------|
| 16      | 318116906  | Plate, instrument mtg           |
| 19      | 318212505  | Glass, control panel, black     |
| 20 #    | 316455461  | Clock/Timer, electronic, ES100  |
| *       | 08016432   | Screw, truss head, 8-18 x 0.375 |
| 24 #    | 316090900  | Switch, oven light, black       |
| 28      | 5304410865 | Tube, timer knob                |
| 29      | 318017711  | Knob, clock/timer, black        |
| 64      | 318110700  | Bracket, light switch           |
| *       | 5303211311 | Screw, 8 x 0.500                |

**BURNER**

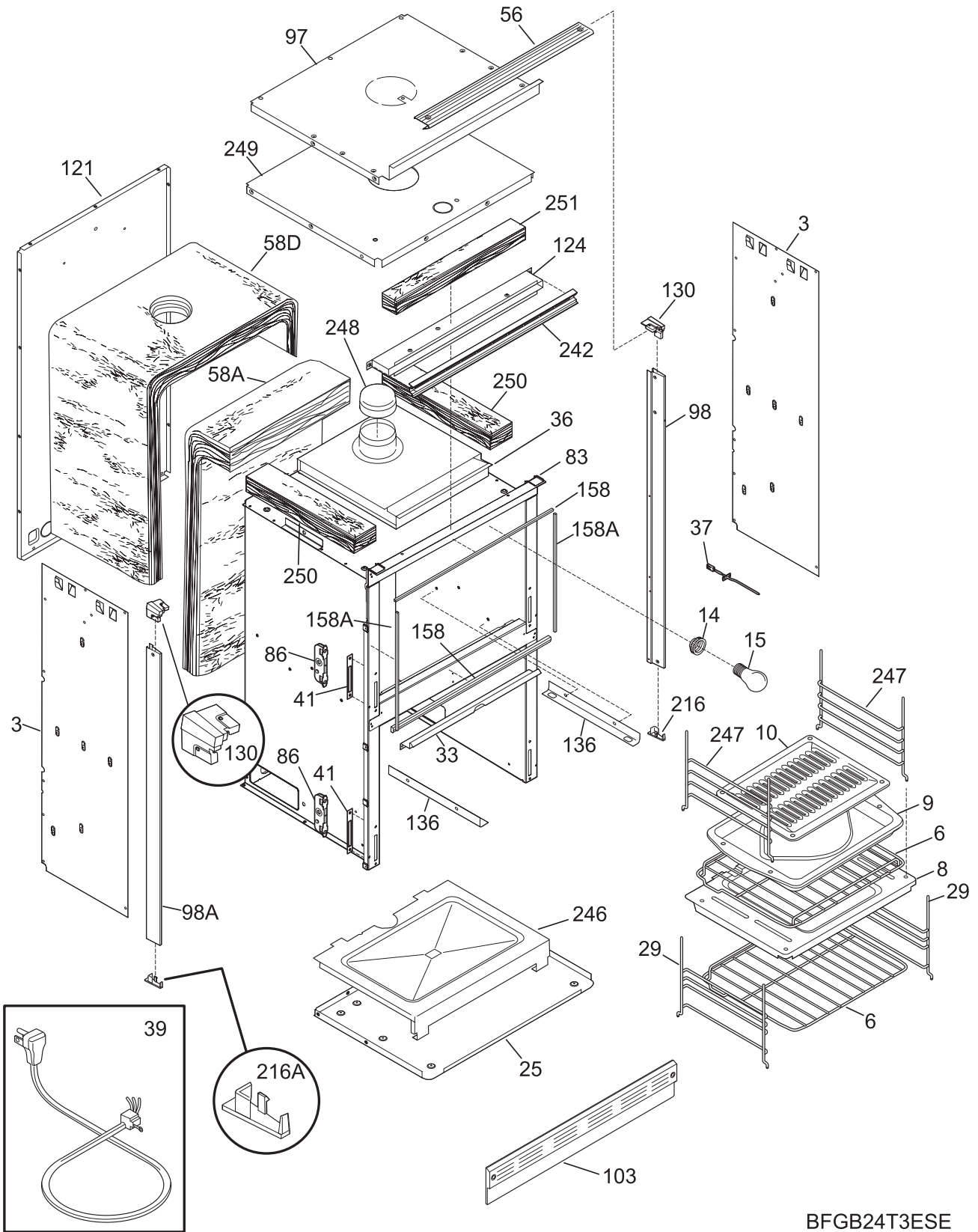


LA00BR84410-1

**BURNER**

| POS. NO | PART NO.   | DESCRIPTION                    |
|---------|------------|--------------------------------|
| 14 #    | 5303210167 | Regulator, pressure            |
| 17 #    | 5303210156 | Valve, safety                  |
| 18 #    | 5303207603 | Burner, oven                   |
| 20      | 5303317122 | Baffle, oven burner            |
| 21      | 3201885    | Nut, Keps, 10-24               |
| 26 #    | 318177710  | Ignitor, oven burner           |
| 28 #    | 5303295305 | Valve, shut off                |
| 49      | 5303317124 | Bracket, safety valve          |
| 59      | 5303317123 | Bracket, safety valve, support |
| 64      | 5303295303 | Retainer, oven burner          |
| *       | 5303211311 | Screw, 8 x 0.500               |
| *       | 5303311306 | Screw, 8-18 x 0.375, (6)       |
| *       | 5303323135 | Screw, 10 x 1-7/8              |
| *       | 5304436875 | Screw, 8-18 X 1/2, black       |

**BODY**



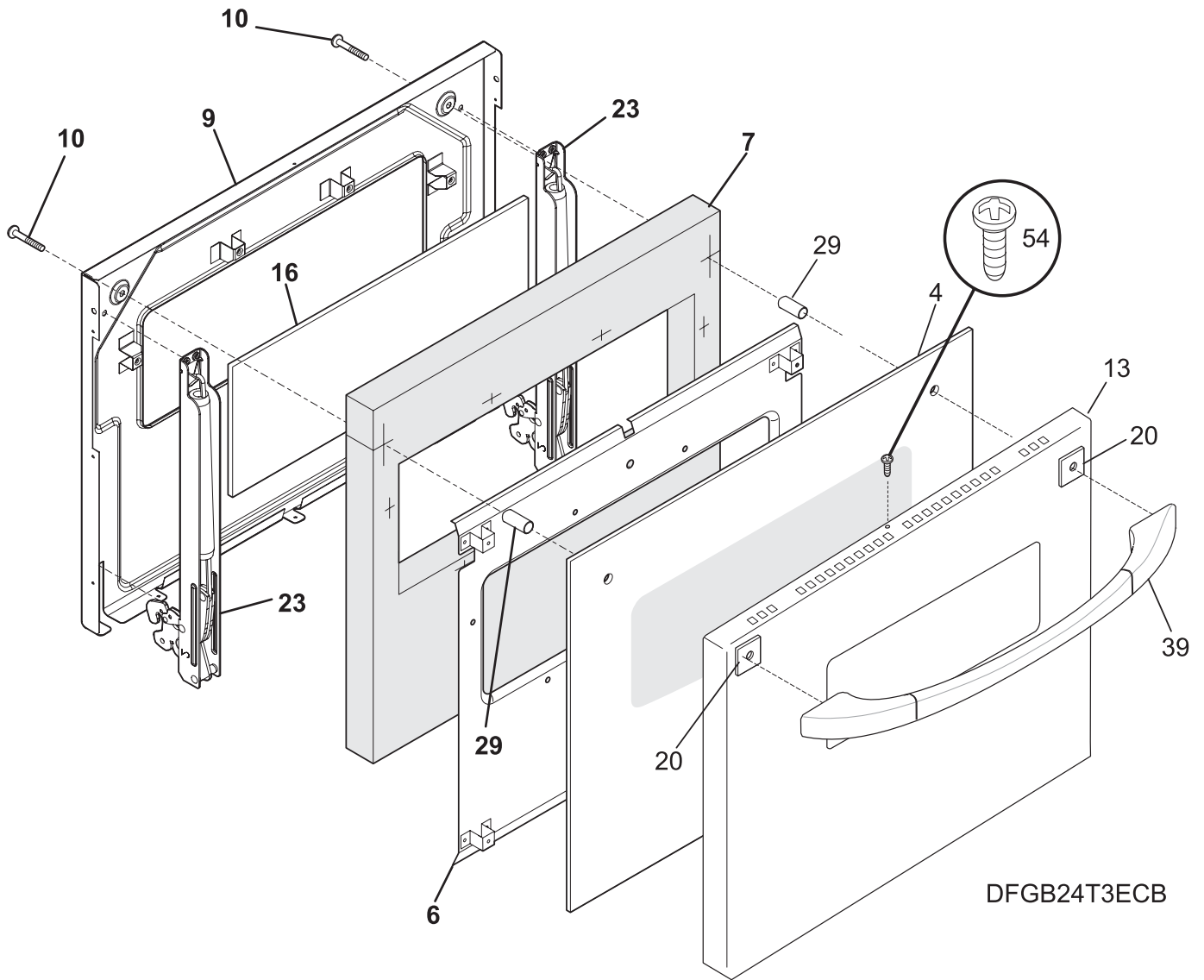
BFGB24T3ESE

## BODY

---

| POS. NO | PART NO.   | DESCRIPTION                           |
|---------|------------|---------------------------------------|
| 3       | 5303317132 | Wrapper, side, outer                  |
| 6       | 318345800  | Rack, oven, upper & lower, (3)        |
| 8       | 318136500  | Panel, oven bottom                    |
| *       | 5304400429 | Screw (8-18 X 1)                      |
| 9       | 5303317977 | Pan, broilerOPTIONAL ACCESSORY        |
| 10      | 5303317976 | Insert, broiler panOPTIONAL ACCESSORY |
| 14      | 318224000  | Receptacle, oven light                |
| 15      | 5303013071 | Bulb/Lamp, light                      |
| 25      | 5303317712 | Shield, heat, lower                   |
| 29      | 318355210  | Glide, broiler rack, (2)              |
| 33      | 5303317128 | Shield, heat                          |
| 36      | 5303298341 | Flue                                  |
| 37 #    | 316217005  | Probe, oven temp                      |
| *       | 5303323277 | Screw, 8-18 X 13/32                   |
| 39      | 318144008  | Cord, service                         |
| *       | 5304400192 | Retainer, wiring                      |
| *       | 5303323136 | Screw ground                          |
| 41      | 318569100  | Spacer, receptacle, hinge, (2)        |
| 56      | 318028200  | Trim, oven top                        |
| *       | 5303307406 | Screw, 6-32 x 3/8, black, (2)         |
| 58A     | 318285007  | Insulation, oven back                 |
| 58D     | 318285008  | Insulation, oven wrapper              |
| 83      | 318109512  | Liner, oven assy                      |
| 86      | 318561100  | Receptacle, hinge, (2)                |
| 86*     | 5304461333 | Screw, 10-32 x 17/32                  |
| 97      | 5303317130 | Wrapper, top, outer                   |
| 98      | 318029001  | Trim, bodyside, black, RH             |
| 98A     | 318029000  | Trim, bodyside, black, LH             |
| 103     | 5303316735 | Trim, base, black, lower              |
| 121     | 5303317131 | Wrapper, back                         |
| 124     | 318076801  | Box, horizontal flue                  |
| 130     | 318034600  | Cap, end top, black, (2)              |
| 136     | 5303317129 | Angle, rack guide                     |
| 158     | 5303207644 | Seal, door, black, top broiler        |
| 158A    | 5303295311 | Seal, side, bake oven                 |
| 216     | 318034500  | Cap, end bottom, black, RH            |
| 216A    | 318034501  | Cap, end bottom, black, LH            |
| 242     | 318027200  | Trim, center, black                   |
| 246     | 318133600  | Panel, oven bottom                    |
| 247     | 318355200  | Glide, oven rack, (2)                 |
| 248     | 5303317121 | Cap, flue                             |
| 249     | 5304400385 | Wrapper, top, inner                   |
| 250     | 318285042  | Insulation, 3" X 2" X 17.5", (2)      |
| 251     | 318285048  | Insulation, 2"X 2.5"X 21.5"           |
| *       | 318232522  | Wiring Harness, main                  |
| *       | 5303211311 | Screw, 8 x 0.500                      |
| *       | 5303300265 | Screw, 8-18 X 1/2, silver, (4)        |

DOOR



DFGB24T3ECB



**DOOR**

---

| POS. NO | PART NO.   | DESCRIPTION                      |
|---------|------------|----------------------------------|
| 4       | 318178515  | Glass, door, black, outer        |
| 6       | 318574300  | Shield, wool                     |
| 7       | 318294928  | Insullation, door                |
| 9       | 318048902  | Liner, oven door                 |
| 10      | 5304416408 | Screw, 10-24 x 1.750, handle mtg |
| 13      | 318328400  | Panel, exterior door, stainless  |
| 16      | 318042310  | Glass, door, heat barrier        |
| 20      | 5303300175 | Spacer, handle, black            |
| 23      | 318567104  | Hinge, oven door                 |
| 29      | 318014408  | Spacer, door                     |
| 39      | 318186101  | Handle, door, black              |
| 54      | 5303308456 | Screw, 8-18 x 0.531, black       |
| *       | 08016432   | Screw, truss head, 8-18 x 0.375  |
| *       | 5304459529 | Screw, #10-24 x 1 7/8, (2)       |

**WIRING DIAGRAM**

