



# FRIGIDAIRE

## Factory Parts Catalog

Product No.	FGHS2655PF5A
Series	Gallery
Color	stainless
Volts	115
Wiring Diagram	242288401
Owner's Guide	A00535101
Market	North America
Energy Guide	A02090726
Service Data Sheet	A01461101

### **Frigidaire**

P.O. BOX 8020  
CHARLOTTE, NC 28262

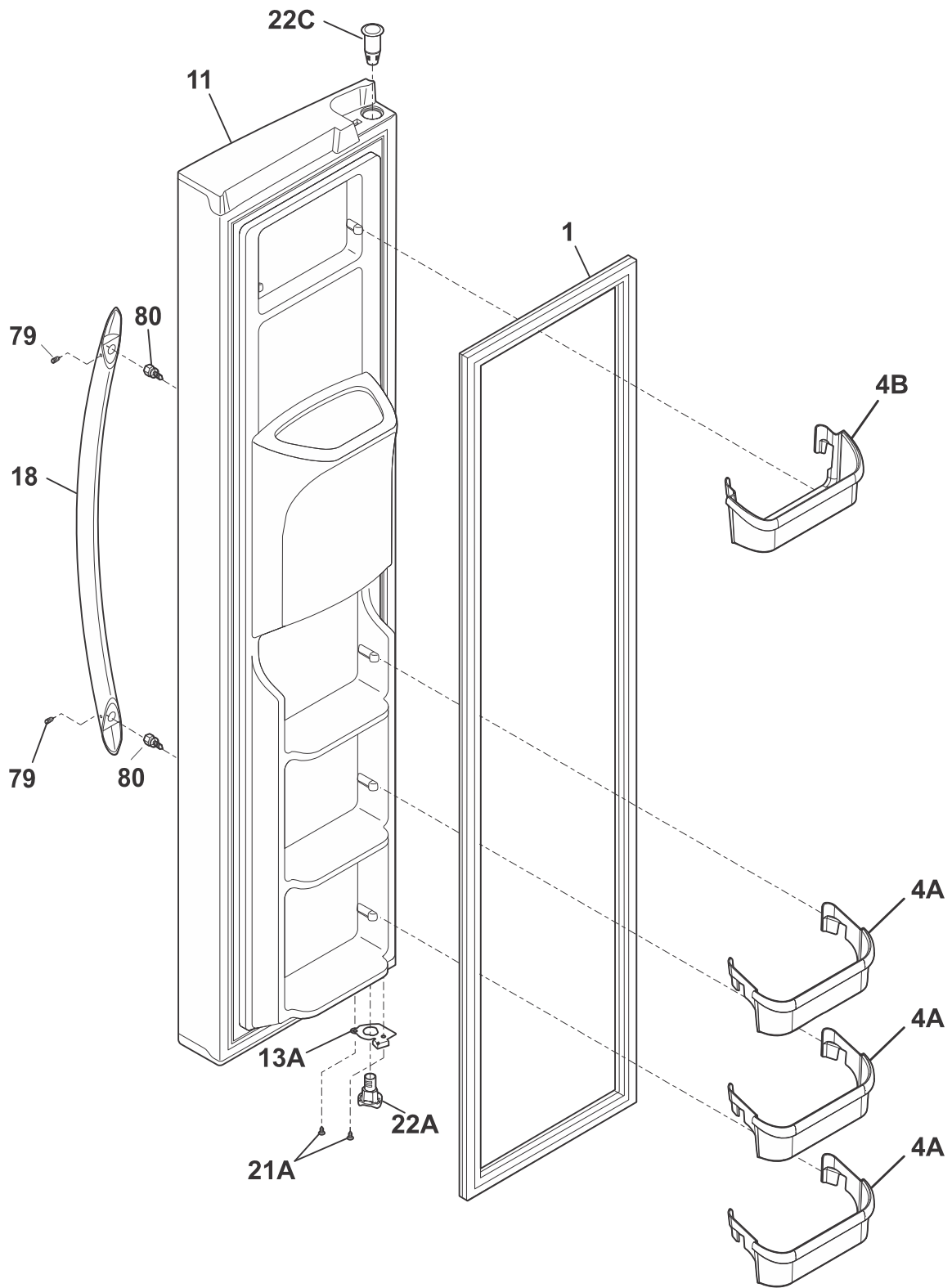
This Catalog replaces 5995656229

Publication No.  
**5995656229**  
15/01/27  
(EN/SERVICE/CW)  
137

### **SIDE-BY-SIDE REFRIGERATOR**

Model No.  
FGHS2655P

**FREEZER DOOR**



**FDGHS2655PF0**

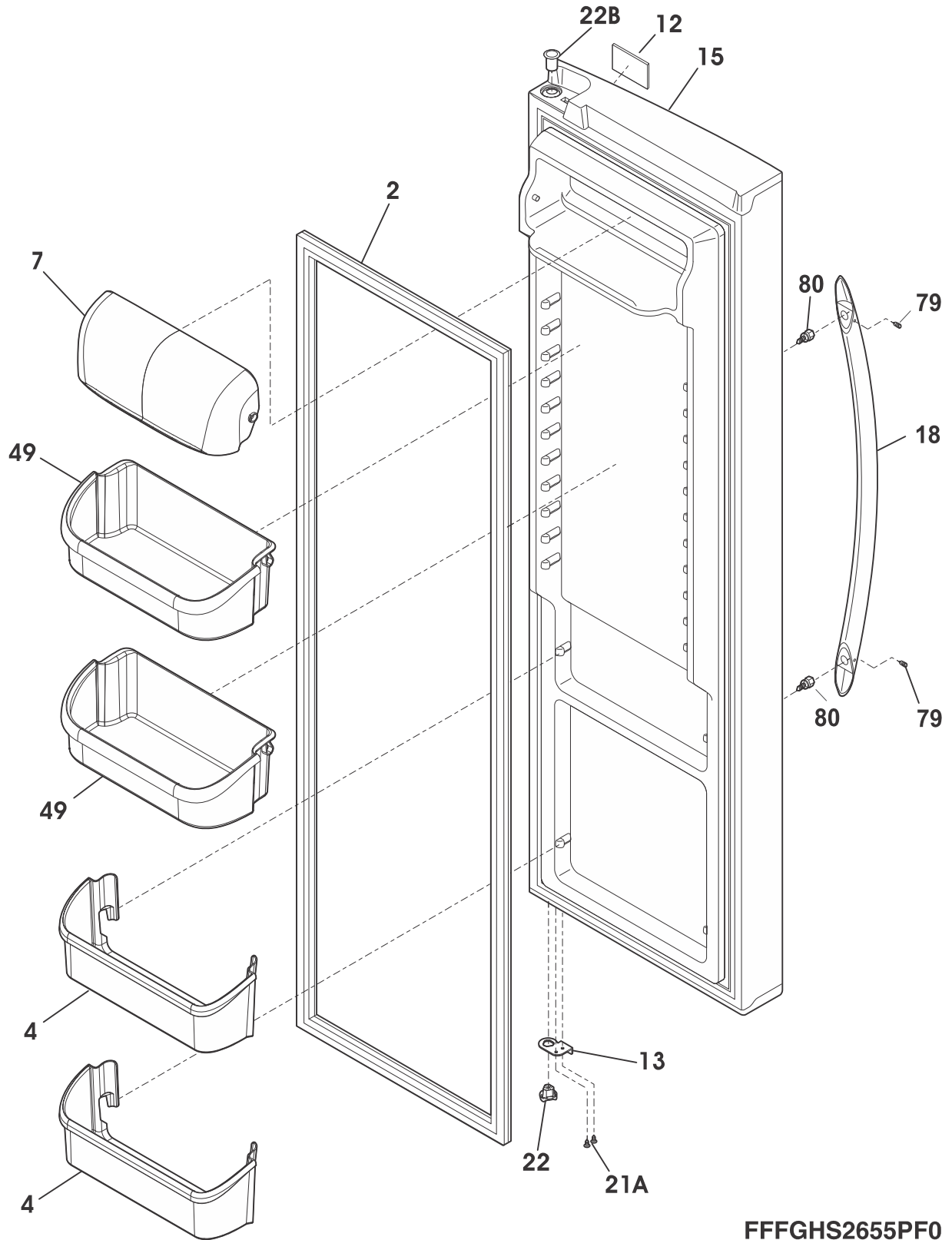
---

**FREEZER DOOR**


---

POS. NO	PART NO.	DESCRIPTION
1 #	241786010	Gasket-frzr door, grey, magnetic
4A	240351601	Bin-door
4B	240334201	Bin-door, frzr-upper
11	242178016	Door-frzr, stainless, complete assy
13A	241990202	Door Stop, black, frzr
18	241930101	Handle-door, stainless
18*	241601002	Wrench, allen
21A	240442706	Screw-#10-32 X 3/4, zinc
22A	241990302	Bearing-hinge(frz), closer
22C	241760402	Bearing, hinge, top
79	218755408	Screw-set, 10-32 x 0.375
80	218755504	Screw, shoulder, #10-AB, handle mounting
* #	240451503	Screw, ind hex wshr hd, 8-32 x 0.375, trilobe
*	5303918371	Dispenser Heater Kit, 115, single paddle
* #	242288101	Harness, wiring, door

**REFRIGERATOR DOOR**



**FFFGHS2655PF0**

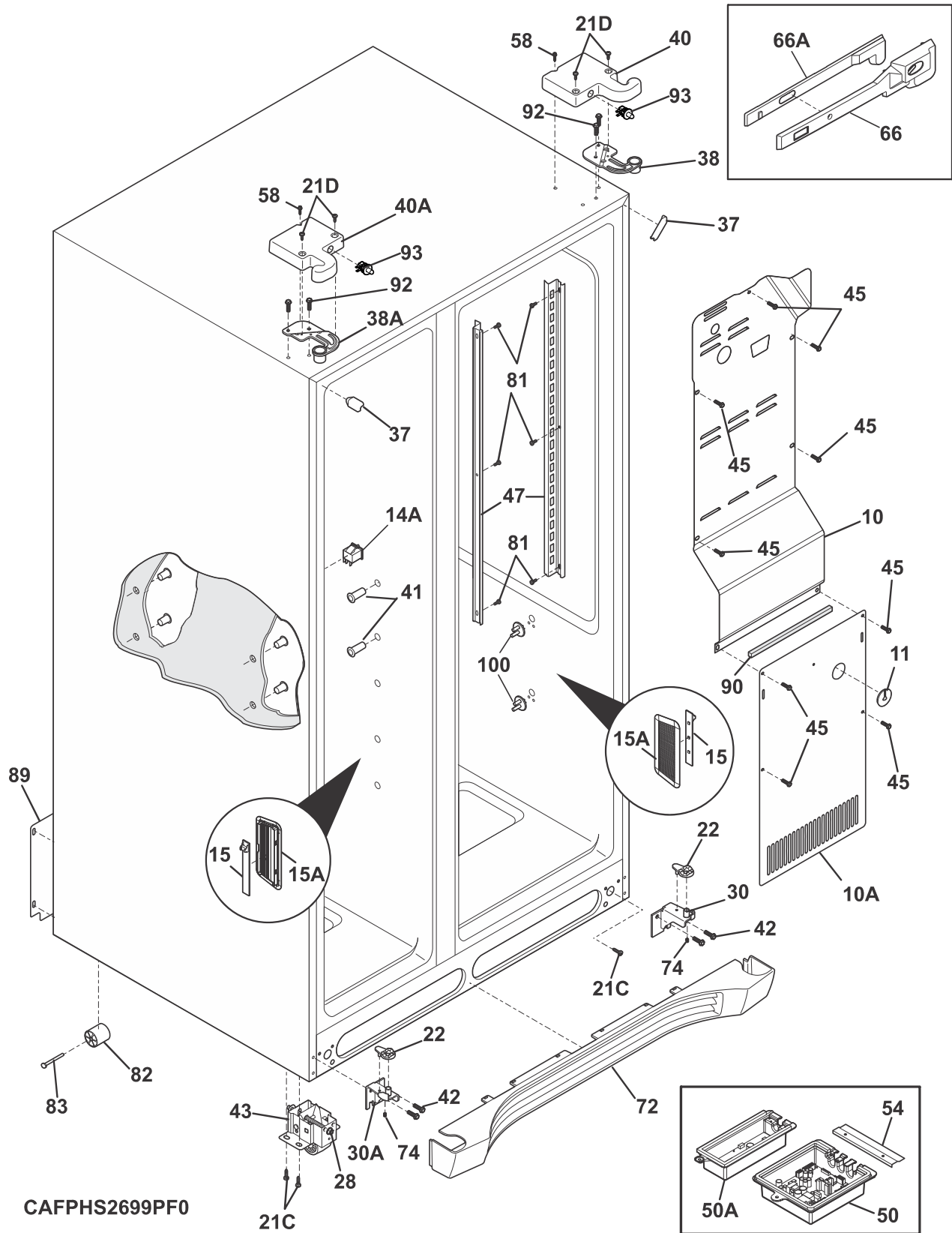
---

**REFRIGERATOR DOOR**

---

POS. NO	PART NO.	DESCRIPTION
2 #	241786009	Gasket-refr door, grey, magnetic
4	240323002	Bin-door, pseudo, clear, bottom
7	240326203	Door-dairy
12	242015201	Label-nameplate
13	241990201	Door Stop, black, ref
15	242178113	Door-refr, stainless, complete
18	241930101	Handle-door, stainless
18*	241601002	Wrench, allen
21A	240442706	Screw-#10-32 X 3/4, zinc
22	241990301	Bearing-hinge, gray
22B	241760404	Bearing, hinge, top
49	241808205	Bin-door, gallon
79	218755408	Screw-set, 10-32 x 0.375
80	218755504	Screw, shoulder, #10-AB, handle mounting

### CABINET

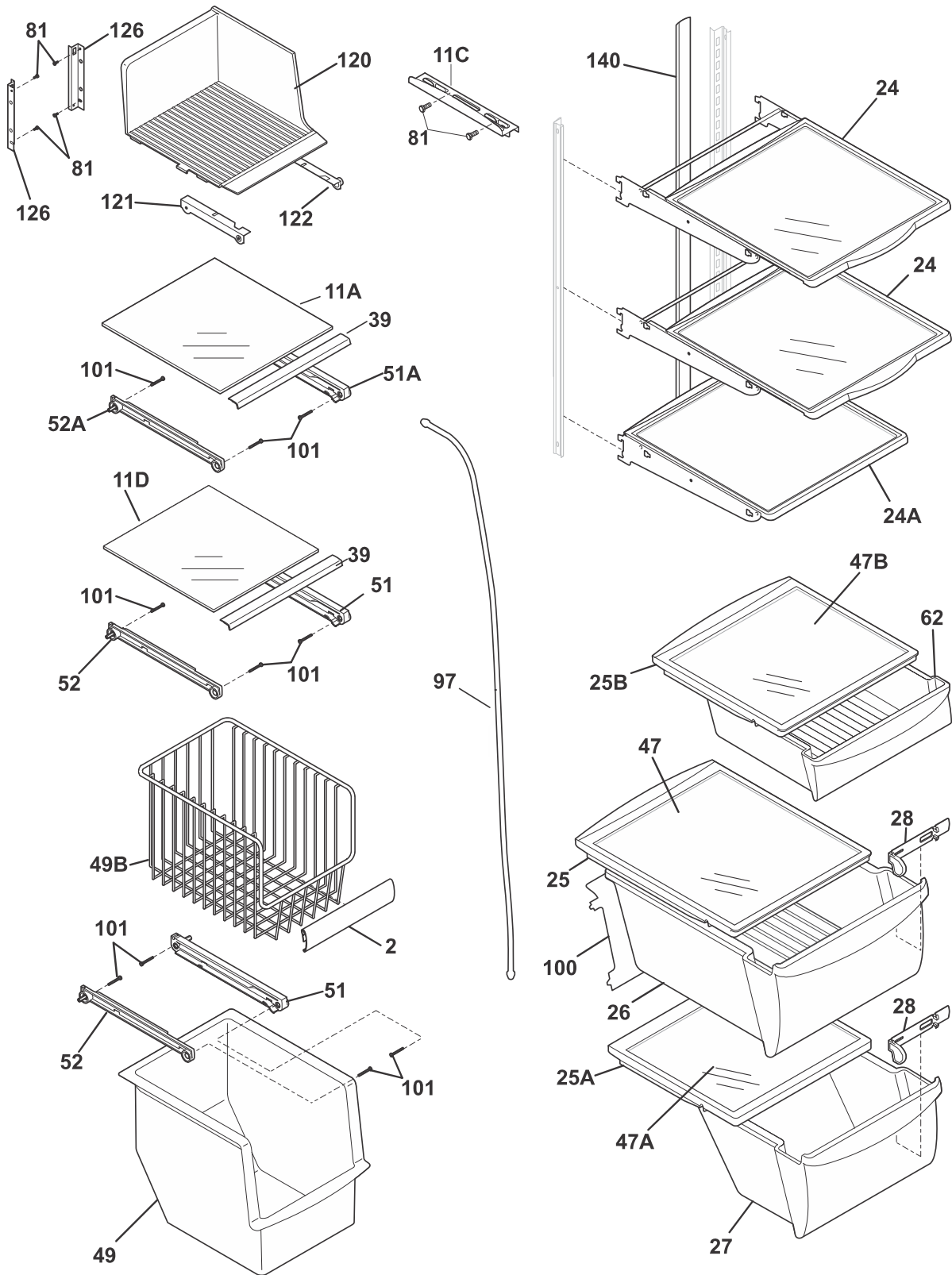


## CABINET

---

POS. NO	PART NO.	DESCRIPTION
10	240435914	Cover-air duct
10A	241719711	Cover-evap coil, lower
11	5303208309	Plug-hole, factory test
14A#	241547901	Switch-light/lamp, frizr door
15	242196204	Light Board, 3 LED cluster
15A	242202701	Lens, 3 LED cluster
21C	218252201	Screw, #8 truss hd, 10-32CA x 0.500
21D	218781101	Screw, pan head, 8-18 x 0.625
22	241917801	Plate-door closer
28	240335502	Bolt-roller adj, hex washer head, 1/4-20 x 4.020, (2), special
30	241918001	Bracket-lower hinge, w/hinge pin, RH, and screw
30A	241918004	Bracket-lower hinge, w/hinge pin, LH, and screw
37	242161206	Trim-cabinet corner, gray, (2)
38	241761301	Bracket-upper hinge, RH
38A	241761302	Bracket-upper hinge, LH
40	241946709	Cover-upper hinge, gray, RH
40*	241835801	Harness-wiring, refrigerator
40A	241946710	Cover-upper hinge, gray, LH
40A*	241891901	Harness-wiring, freezer
41	241550801	Grommet-shelf mtg, 1.40" long
41*	241550701	Grommet-shelf mtg, .96" long
42	240578902	Screw, hex head, 1/4-20 x 5/8
43	240335006	Roller Assy, front, (2)
45	241500303	Screw, hex washer head, 8-18AB x 1/2
47	241513001	Channel-shelf mtg, side, (2)
50	5304498818	Board-main power
50A#	241891610	Board-main, LED
54	241532401	Channel
58	241548003	Screw, 10-32 x 3/8
66	241756801	Damper-meat keeper
66*	241781601	Seal-return air
66A	241756901	Housing-damper
72	241969405	Grille/Kickplate
74	218755402	Screw-set, 10-32 x .500 in
81	5304455650	Screw, hex washer head, 8-15A x 0.625, Low Profile
82	5304418225	Roller, compressor base, rear, (2)
83	5304455655	Rivet, flat head, 1/4 OD x 1-3/4, roller pin
89	241733902	Cover-access, w/label
90	218249808	Seal-coil cover
92	241710601	Screw, hex washer hd, 1/4 x 7/8, hinge mtg
93 #	241911705	Switch-light, grey, (2)
100	241993101	Support-crisper cvr
100*	241993001	Support-crisper cvr
*	241868101	Air Guide
*	241890601	Louver, air supply, crisper

### SHELVES



SHFGHS2655PF5A

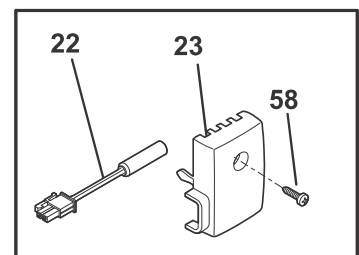
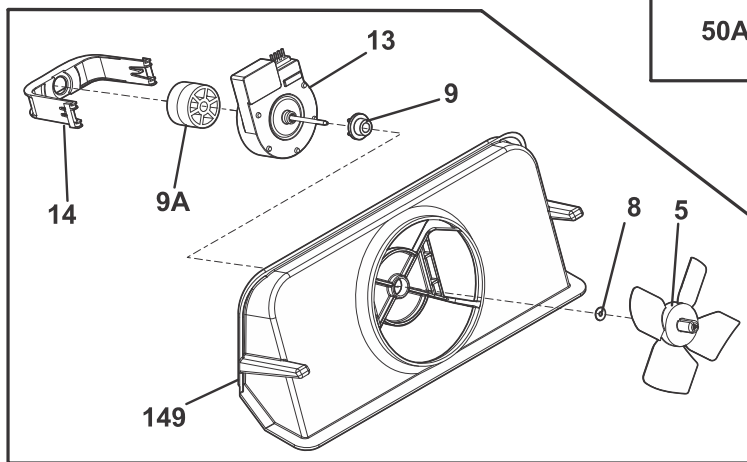
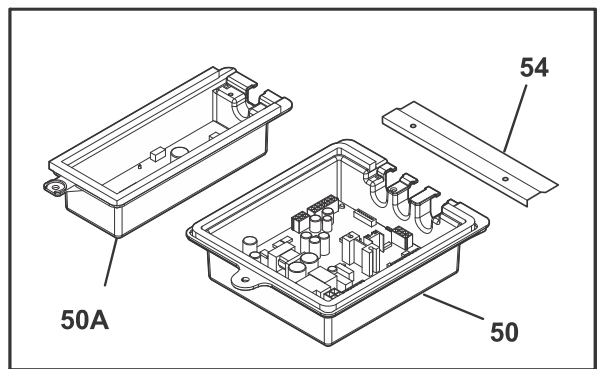
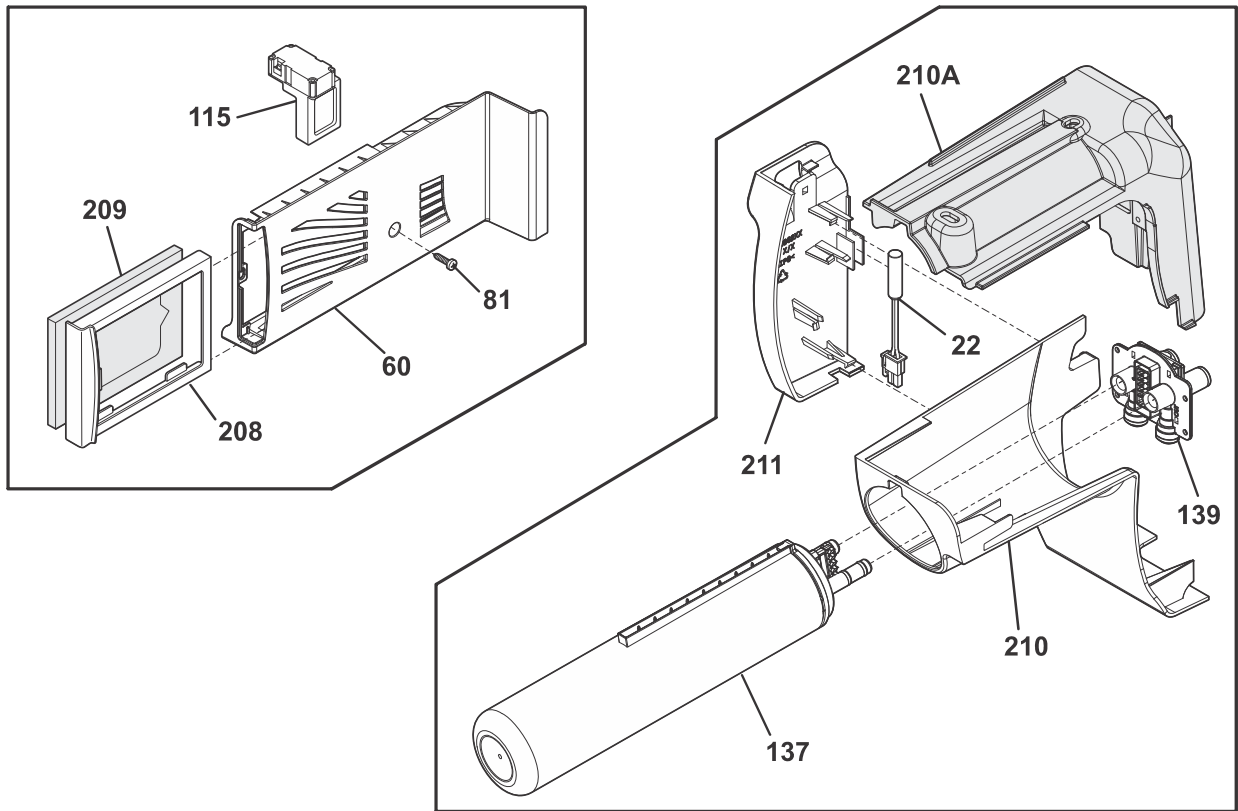


## SHELVES

---

POS. NO	PART NO.	DESCRIPTION
2	241510604	Trim-basket
11A	240350604	Shelf-freezer, glass, upper
11C	240324101	Shelf-pizza
11D	240350605	Shelf-freezer, glass, lower
24	240350136	Shelf-"Spill-Safe", cantilever, sliding
24A	240355270	Shelf-"Spill-Safe", fixed
25	240599301	Cover-crisper pan, upper
25A	240350903	Cover-crisper pan, lower
25B	241969501	Cover-meat pan
26	240351061	Pan-crisper, upper
27	240351240	Pan-crisper, lower
28	240362201	Control-humidity
39	240367602	Trim-shelf, front
47	240350649	Insert-pan cover, glass
47A	240350603	Insert-pan cover, glass
47B	240443384	Insert-pan cover, glass
49	240564401	Basket-sliding
49B	240530504	Basket-sliding, upper, full
51	240343002	Hanger-basket, RH
51A	240395502	Hanger-basket, RH
52	240343102	Hanger-basket, LH
52A	240395602	Hanger-basket, LH
62	241969601	Pan-meat
62*	241868101	Air Guide
81	5304455650	Screw, hex washer head, 8-15A x 0.625, Low Profile
97*	242103001	Connector-water, straight, 5/16 to 5/16
97*	242200101	Clip, tubing, 90 deg elbow
100	240326304	Cover-water tank
101	218493101	Screw, hex washer head, 8-18AB x 1-3/4
120	241691901	Shelf-ice cream
121	241561001	Rail-ice cream shelf, LH
122	241692001	Rail-ice cream shelf, LH
126	241674401	Channel, auger mtg, LH
126	241674402	Channel, auger mtg, RH
140	241812501	Channel, wtr tube cover
*	240349801	Clip-slide, pan
*	240362101	Clip-slide, cover
*	241595202	Clip-slide, crisper
*	242146265	Label, energy guide

**CONTROLS**



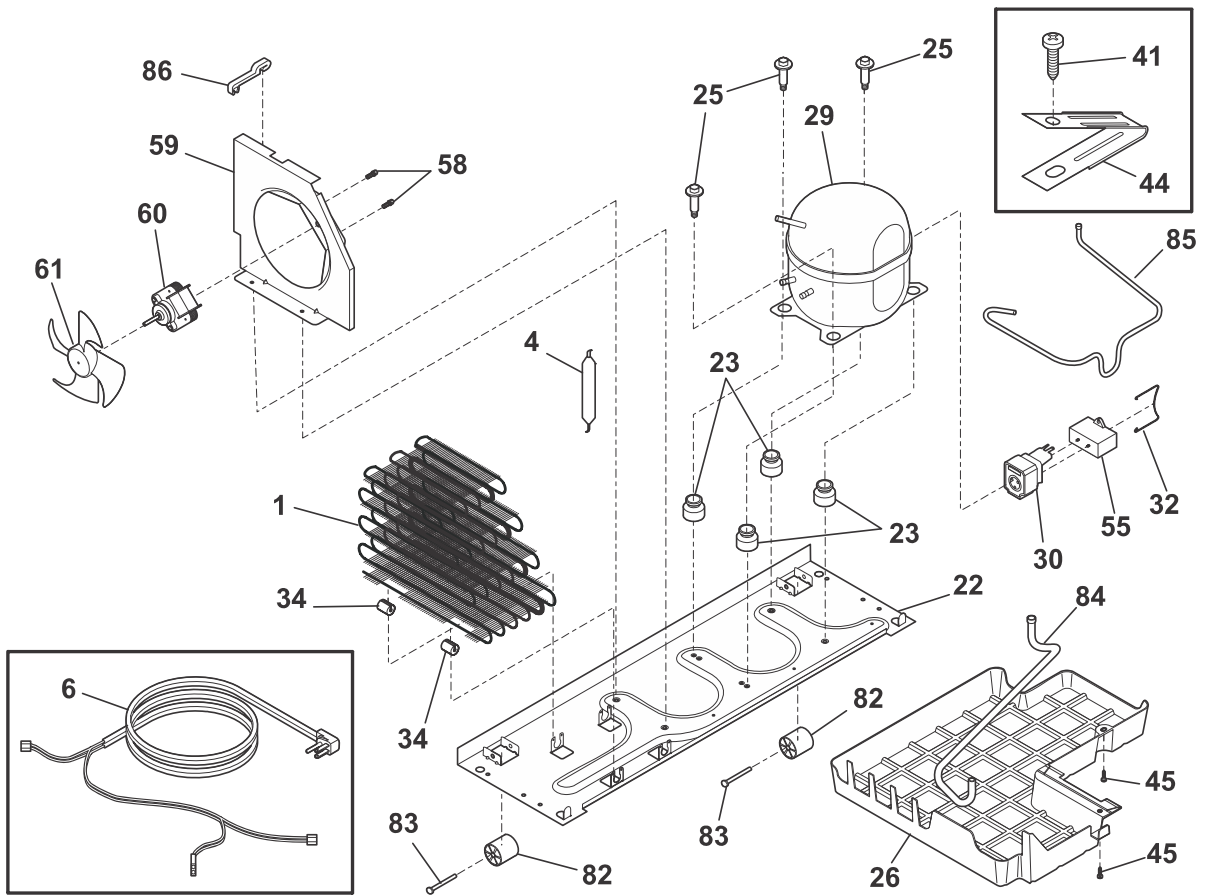
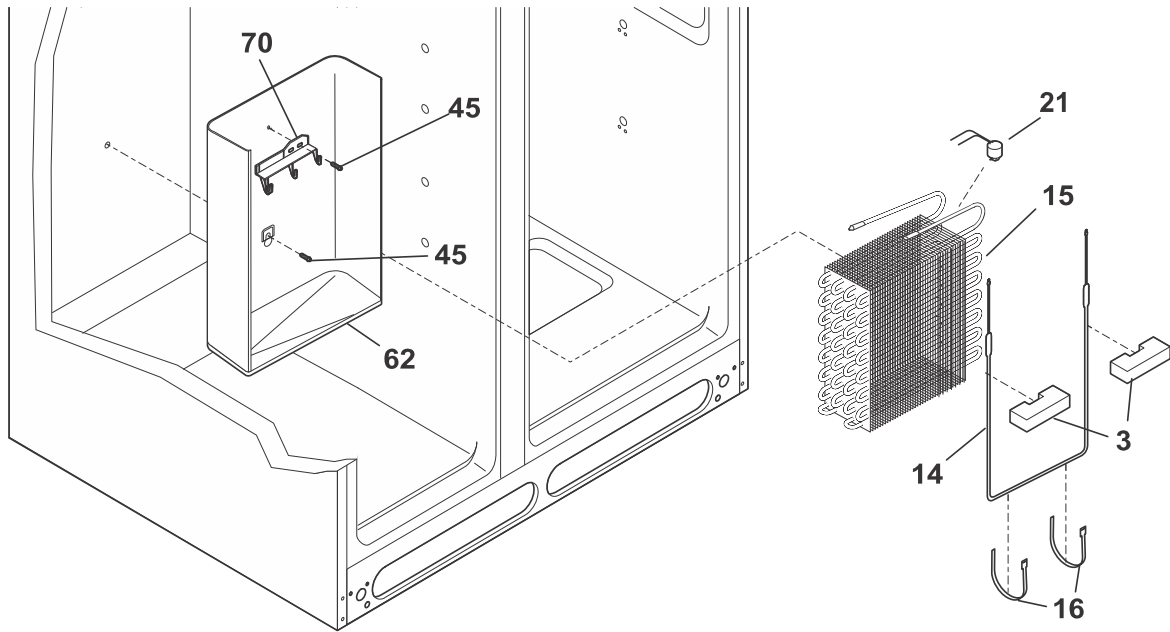
CTFPHS2699PF0

## CONTROLS

---

POS. NO	PART NO.	DESCRIPTION
5	5308000010	Fan Blade, red, evaporator fan
8	215474201	Washer, "slinger", nylon, evap fan shaft
9	241563601	Bushing-motor mtg
9A	241845301	Bushing-motor mtg
13 #	241509402	Motor, evaporator fan
14	242135301	Clip, evap fan motor, evap fan motor
22 #	240597203	Sensor, temperature, 10K, NTC
23	241845401	Housing-sensor
50	5304498818	Board-main power
50A#	241891610	Board-main, LED
54	241532401	Channel
58	5304455650	Screw, hex washer head, 8-15A x 0.625, Low Profile
60	242287001	Housing, diffuser, & air filter
60*	241945101	Insulation-air duct
81	5304455658	Screw, hx wshr hd sems, 8-15A x 0.625
115	241853801	Damper Assy, w/seal
137#	242294401	Filter-water
139	242009601	Base-water filter
149	241563501	Shroud-fan orifice
149*	241528306	Seal, shroud
208	241754301	Sleeve, air filter, front
209	242047801	Filter, air
210	241983812	Housing-water filtr
210*	240363402	Screw, plask, #8-18 x .500
210A	241998302	Mount-water filter
211	242286201	Cover, water filter
*	241500303	Screw, hex washer head, 8-18AB x 1/2

**SYSTEM**



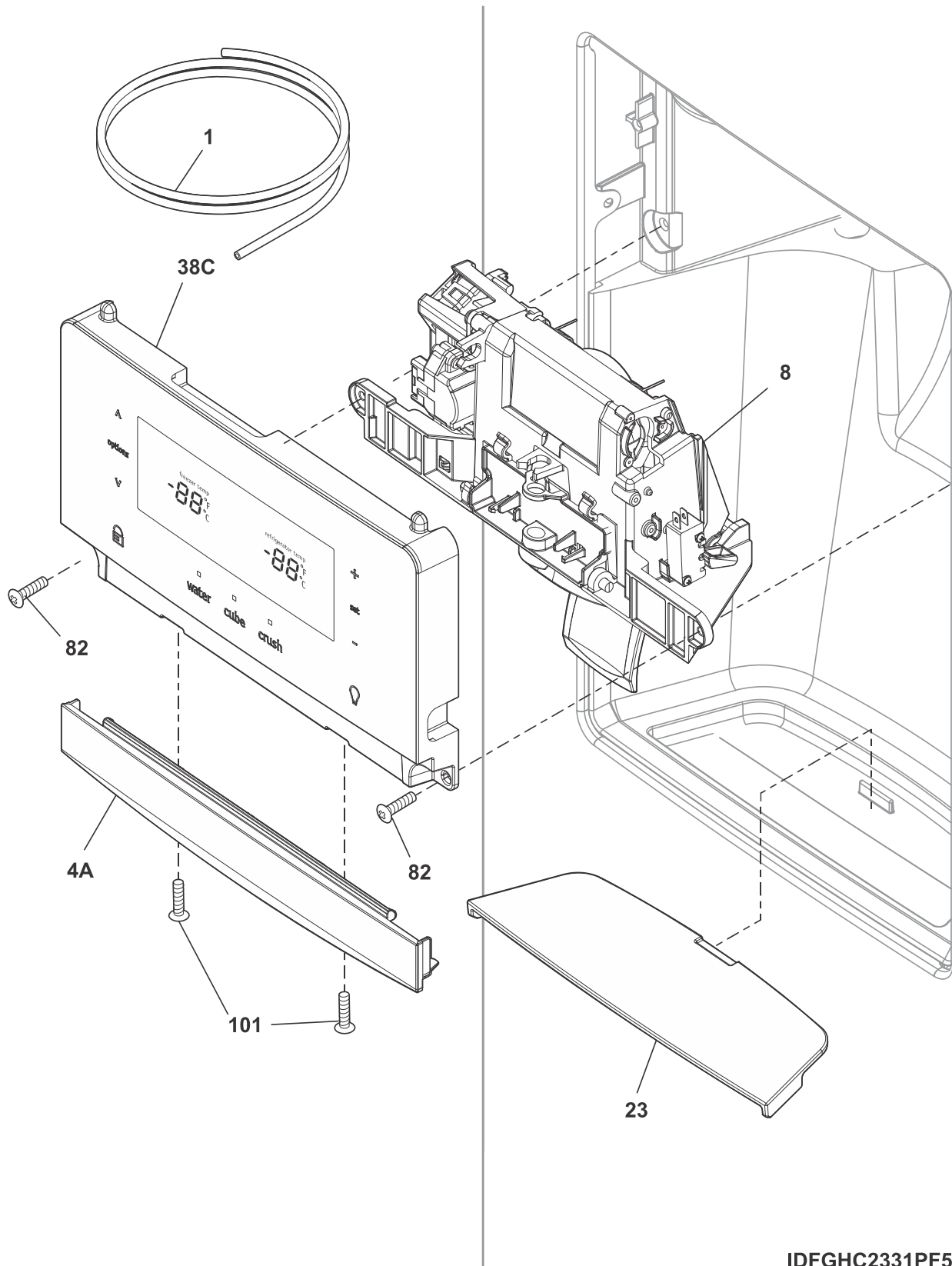
**SYFPHS2699PF0**

## SYSTEM

---

POS. NO	PART NO.	DESCRIPTION
1 #	242106605	Condenser
3	218679614	Block-evap coil, styrofoam, (2)
4 #	242047603	Dryer-filter
6 #	241516901	Cord-service
6* #	241519902	Harness-wiring
6* #	242199602	Harness-wiring, machine compt
14 #	242044113	Heater-defrost
15 #	5303918284	Evaporator Kit
16	5308000110	Strap-evap/heater, aluminum, (2)
21 #	5303918214	Thermostat-defrost, kit
22	240330012	Base-compressor
22*	218252201	Screw, #8 truss hd, 10-32CA x 0.500
23	218513300	Grommet-compr mtg, (4)
25	240491503	Screw-compressor mtg, 1/4-28 x 1.16, (4)
26	241920606	Pan-defrost
29 #	240550922	Compressor, w/o electricals
29 #	241650211	Compressor & Grommets, w/o electricals
30 #	216954215	Controller, compressor
32	216954300	Clip, controller
34	240405201	Grommet, rubber, black, cond tube/wire
41	240555002	Screw-#8-32 X 3/8
44	215174700	Clamp-service cord, strain relief, galv steel
45	5304455650	Screw, hex washer head, 8-15A x 0.625, Low Profile
55	297286803	Capacitor-run
58	240569201	Screw, 8-18 x 0.500
59	241946106	Shroud-cond fan
59*	240346701	Tape-foam seal, shroud
59*	240359403	Screw-fan shroud, (2)
60 #	242018301	Motor-condenser fan
61	241639501	Blade-condenser fan
62	240429405	Trough-drain
70	218990801	Bracket-evap/cvr mtg
82	5304418225	Roller, compressor base, rear, (2)
83	5304455655	Rivet, flat head, 1/4 OD x 1-3/4, roller pin
84	241830903	Tube-drain, lower
84*	242036801	Clip-tube, drain
85	241856903	Tube-connector, suction
86	240409302	Spacer-cond tube, black
*	218709101	Screw, hex head, 10-32 x 0.500
* #	5303918327	Heat Exchanger Kit, suction line

**ICE & WATER DISPENSER**



IDFGHC2331PF5

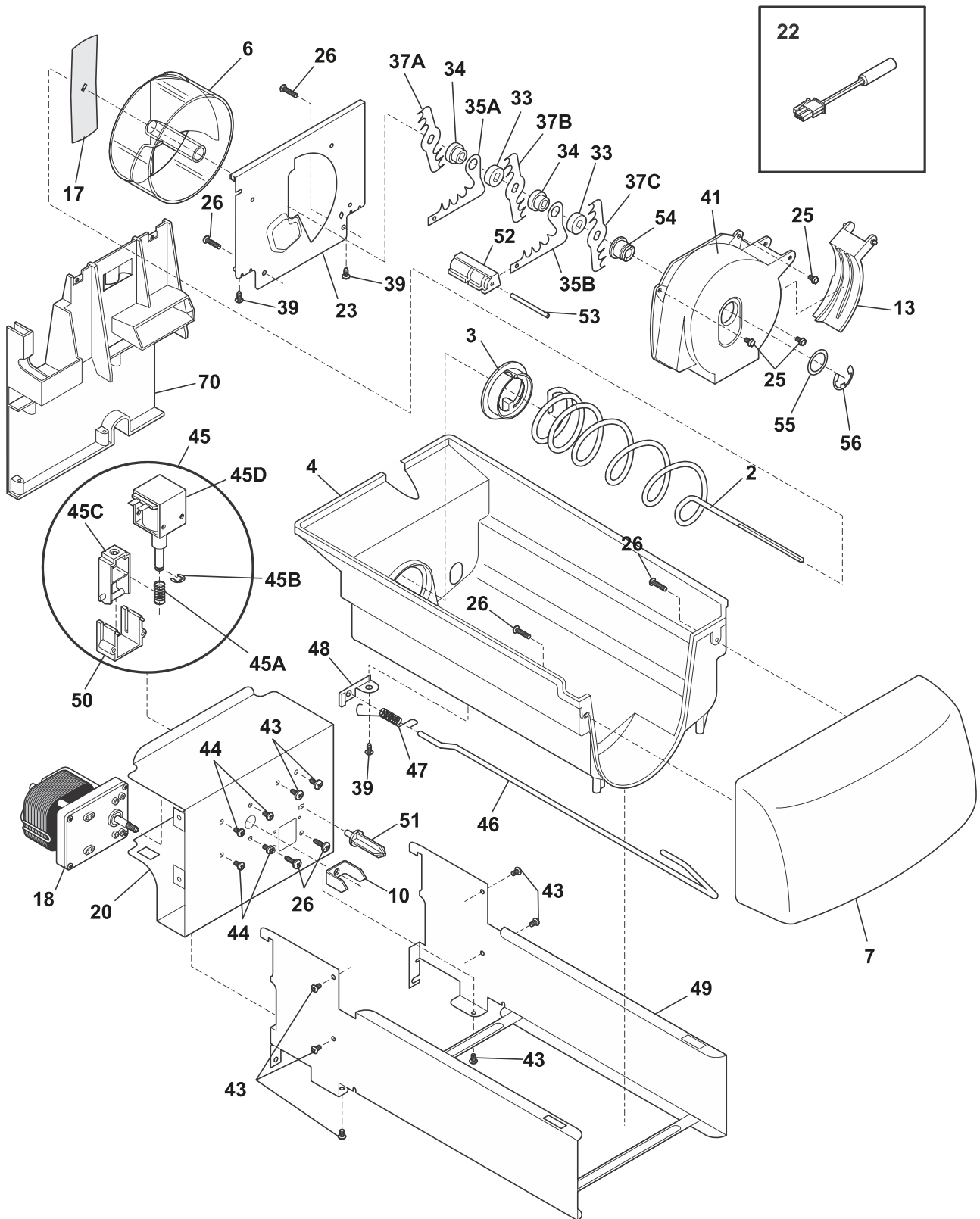
---

**ICE & WATER DISPENSER**


---

POS. NO	PART NO.	DESCRIPTION
1	218976438	Tube, water, 62", natural, door
1*	218976419	Tube-water inlet, 5/16 - 34", yellow, valve to door
1*	218976429	Tube-water inlet, 5/16 - 97.50", brown/tan
1*	218976915	Tube-water inlet, inlet valve, to I/M inlet
1*	240561703	Seal-water inlet, inlet valve, to ice maker
4A	242194301	Trim, Facade, stainless
8 #	242270101	Module, dispenser, clear, w/paddle
23	242176503	Sump, dispenser, grey
38C#	242058233	User Interface, assembly, grey, complete
38C*	241953907	Screw, #8-18
82	240363403	Screw, 8-18 x 0.500, 2
101	241953902	Screw, #8 - 18 X .380
*	5303918371	Dispenser Heater Kit, 115, single paddle

ICE CONTAINER



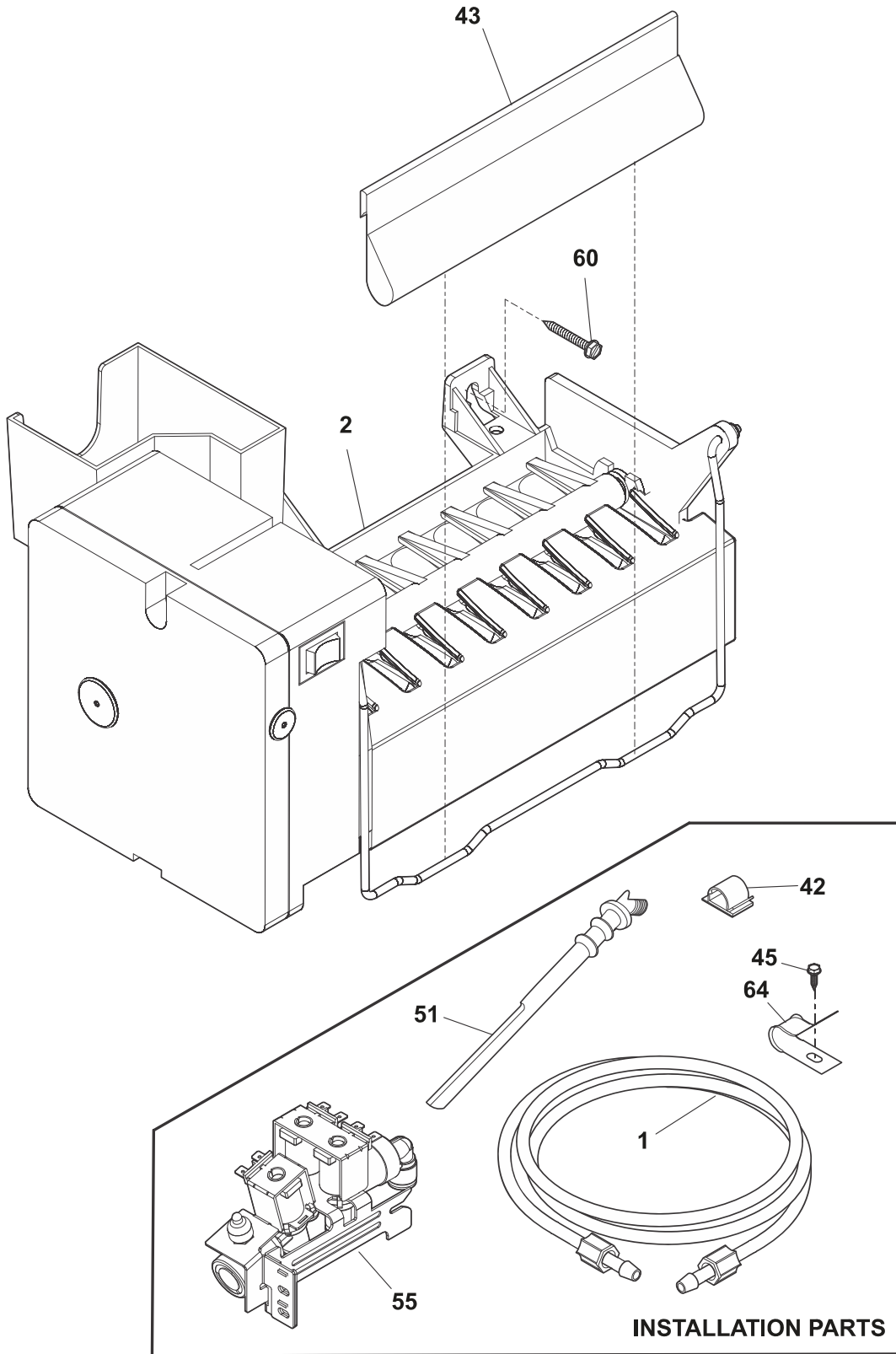
ICFPHS2699PF0



## ICE CONTAINER

POS. NO	PART NO.	DESCRIPTION
2	241716101	Auger-ice
3	241685201	Cam-drive
4	241561302	Container-ice, bucket only
6	241685103	Drum-ice disp
7	241561402	Front-ice container
10	241726501	Bar-drive
13	241685301	Gate
17	241684501	Drive Blade
18 #	242221501	Motor-auger
18*#	242150301	Harness-wiring, icmkr/container
20	241675507	Cover-motor
22	240597203	Sensor, temperature, 10K, NTC
22*	241519401	Clip, sensor
23	241684001	Plate-front
25	241690701	Screw, hex washer head, 8-32T x 0.375
26	215503205	Screw, cr pan hd, 10-16 x 0.500
33	241684801	Spacer
34	241689801	Spacer
35A	241684301	Fixed Blade, round
35B	241684201	Fixed Blade, square
37A	241684101	Blade, crusher #1
37B	241684102	Blade, crusher #2
37C	241684103	Blade, crusher #3
39	241690501	Screw
41	241685601	Housing-crusher
43	215005101	Screw, hanger/rtr mtg, 8-10 x 7/16
44	218359202	Screw, pan head, 8-32 x 0.250
45 #	241675704	Solenoid Assy, 115V
45A	241675902	Spring-solenoid
45B	241676001	E-Ring-solenoid
45C	241676101	Actuator-solenoid
45D#	241675803	Solenoid, 115V
46	241716002	Control Rod
47	241731801	Spring-control rod
48	241684602	Bracket-control rod
49	241734501	Rail Assy
50	241675601	Guide-solenoid
51	241676301	Rotation Stop
52	241684901	Spacer-fixed blades
53	241690402	Pin-spiral, fixed blades
54	241685001	Nut-auger
55	241690306	Washer
56	241690201	E-ring
70	241561502	Plate-mounting
70*	241551602	Screw, hex head, 8-18B x 0.875
70*	241716801	Clip
*	240555002	Screw-#8-32 X 3/8
*	241587402	Deflector-ice
*	241842101	Screw, 8-32 x 1/4
*	241860810	Ice Container Assy, w/moving parts

**ICE MAKER**



**IMFFSC2323LSB**

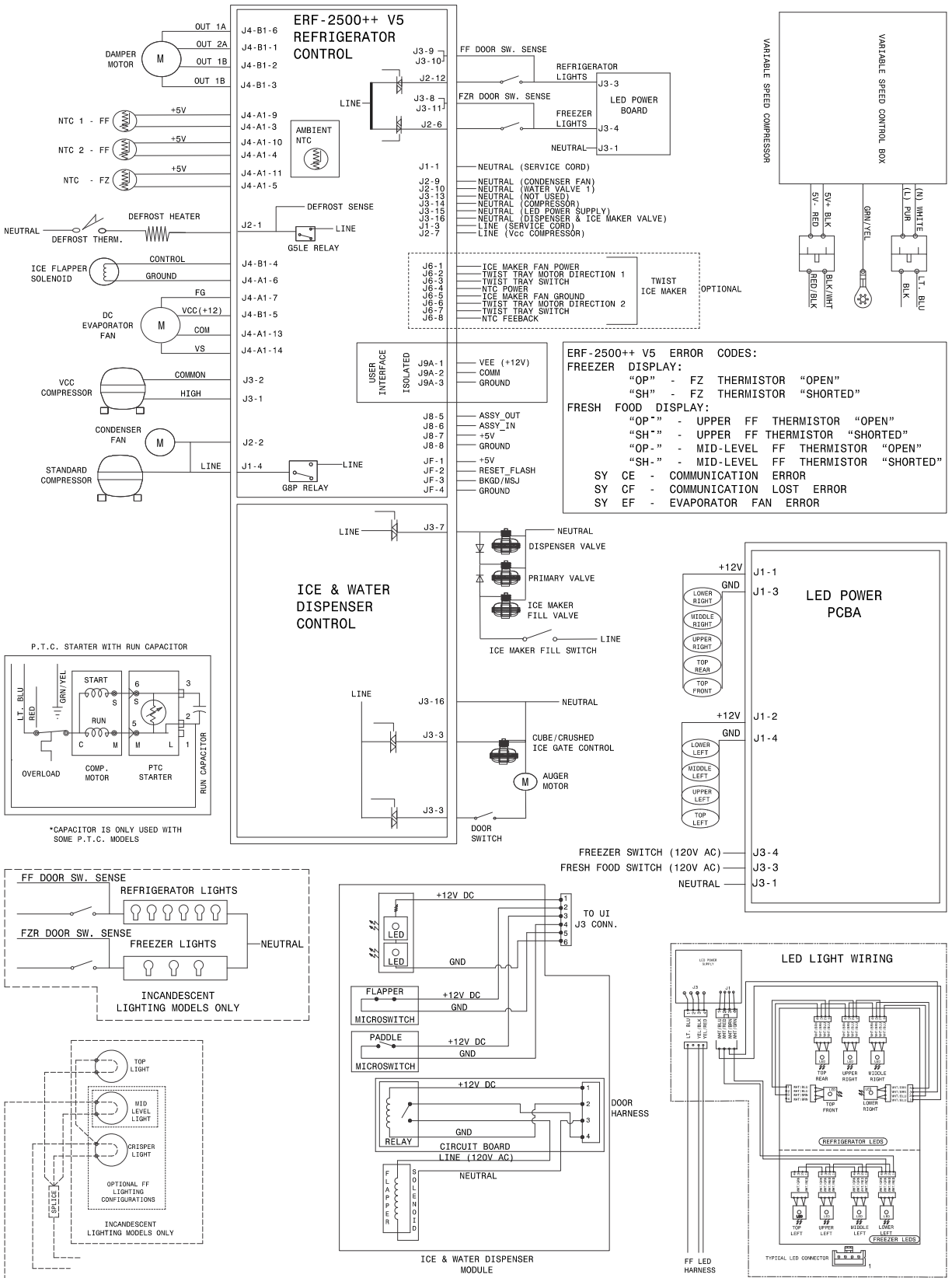
---

**ICE MAKER**

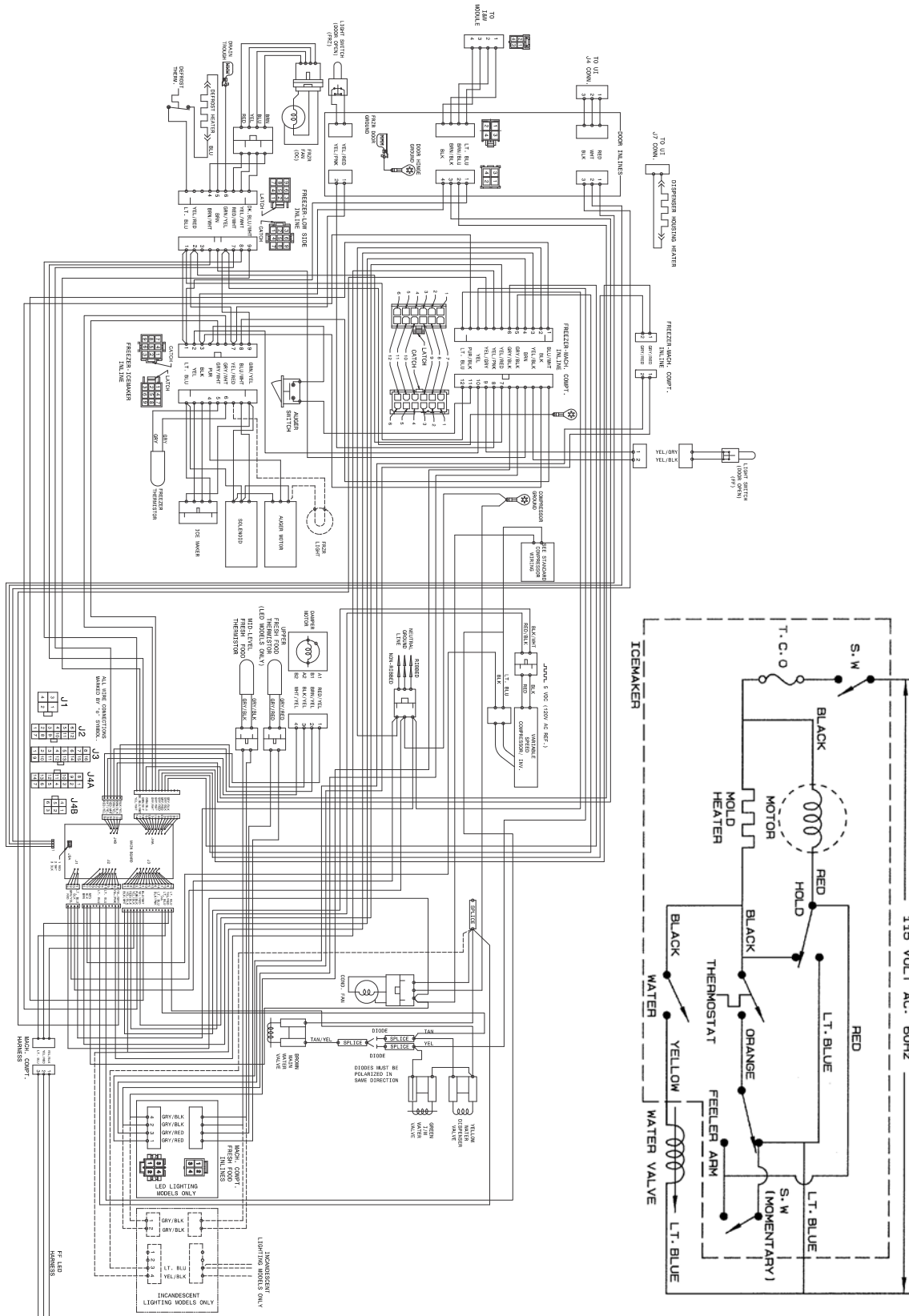

---

POS. NO	PART NO.	DESCRIPTION
1	218976438	Tube, water, 62", natural, door
1*	218976439	Tube-water inlet, 5/16 - 32", yellow, valve to door
1*	218976915	Tube-water inlet, inlet valve, to I/M inlet
1*	242220206	Tube-water inlet, .315 - 97.50", brown/tan
2 #	241709801	Ice Maker, radius cube, 115 V, no instl parts
42	218515403	Clip-grille
43	241720601	Extension
45	241500303	Screw, hex washer head, 8-18AB x 1/2
51	241796407	Tube-water fill, extension
55 #	242252702	Valve, solenoid, triple
55*	218709101	Screw, hex head, 10-32 x 0.500
55*	240363602	Screw-shoulder
60	5303207328	Screw, hex washer head, 8-15A x 1.000, (2)
64	5303001549	Clamp, 0.31 ID, steel, copper wtr line
*	242103001	Connector-water, straight, 5/16 to 5/16

WIRING SCHEMATIC



WIRING DIAGRAM



# Functional Parts  
 \* Non-Illustrated Parts