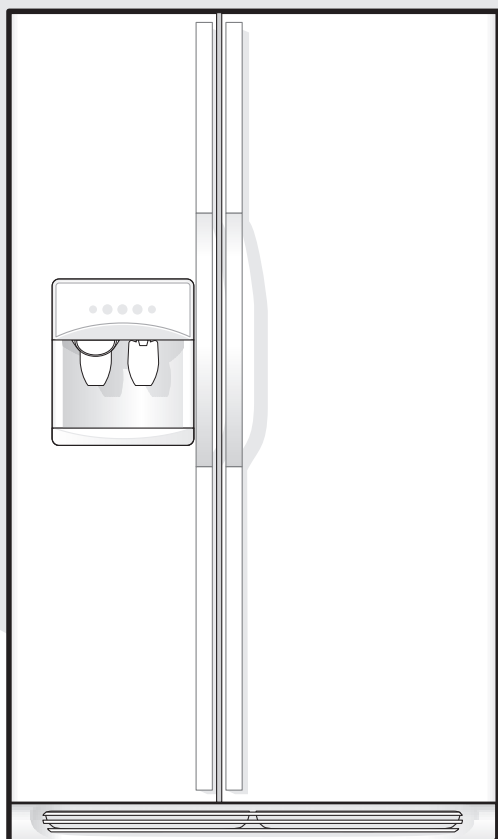


# Frigitidair

## FACTORY PARTS CATALOG



PRODUCT NO.	BASE MODEL NO.	SERIES	COLOR	VOLTS
FRS26H5ASB4	FRS26H5AS	R134a	stain/black	115

MARKET
North America

WIRING DIAGRAM - 240389607  
OWNER'S GUIDE - 240389306  
SERVICE DATA SHEET - 240389607

 **Electrolux**

ELECTROLUX HOME PRODUCTS, INC  
P.O. BOX 212378, Augusta, GA 30917

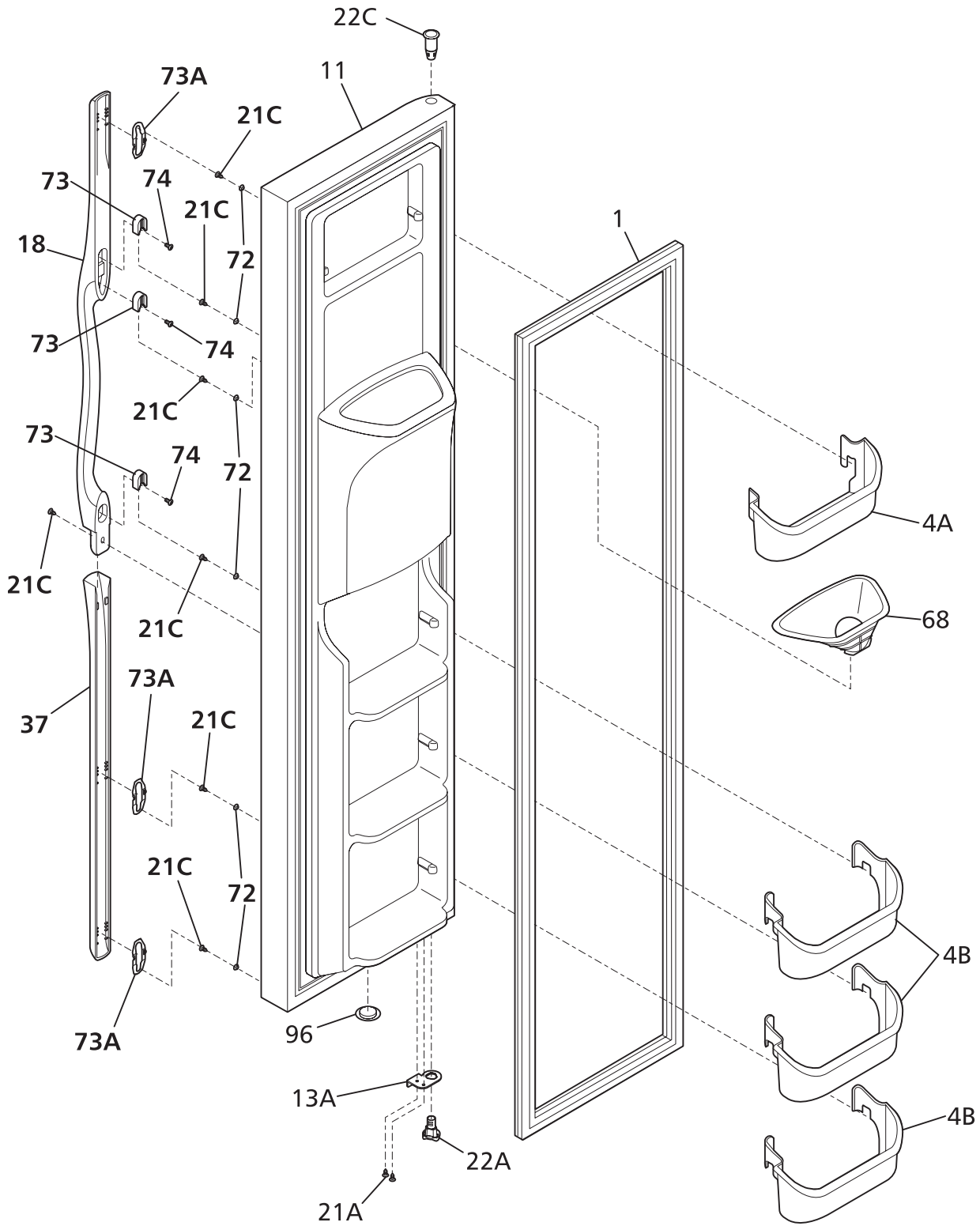
Publication No.  
5995375093  
020627  
-EN/SERVICE/KHB  
357

**SIDE BY SIDE  
REFRIGERATOR**

**Model No.  
FRS26H5AS**

©2002 Electrolux Home Products, Inc.  
All rights reserved

FREEZER DOOR

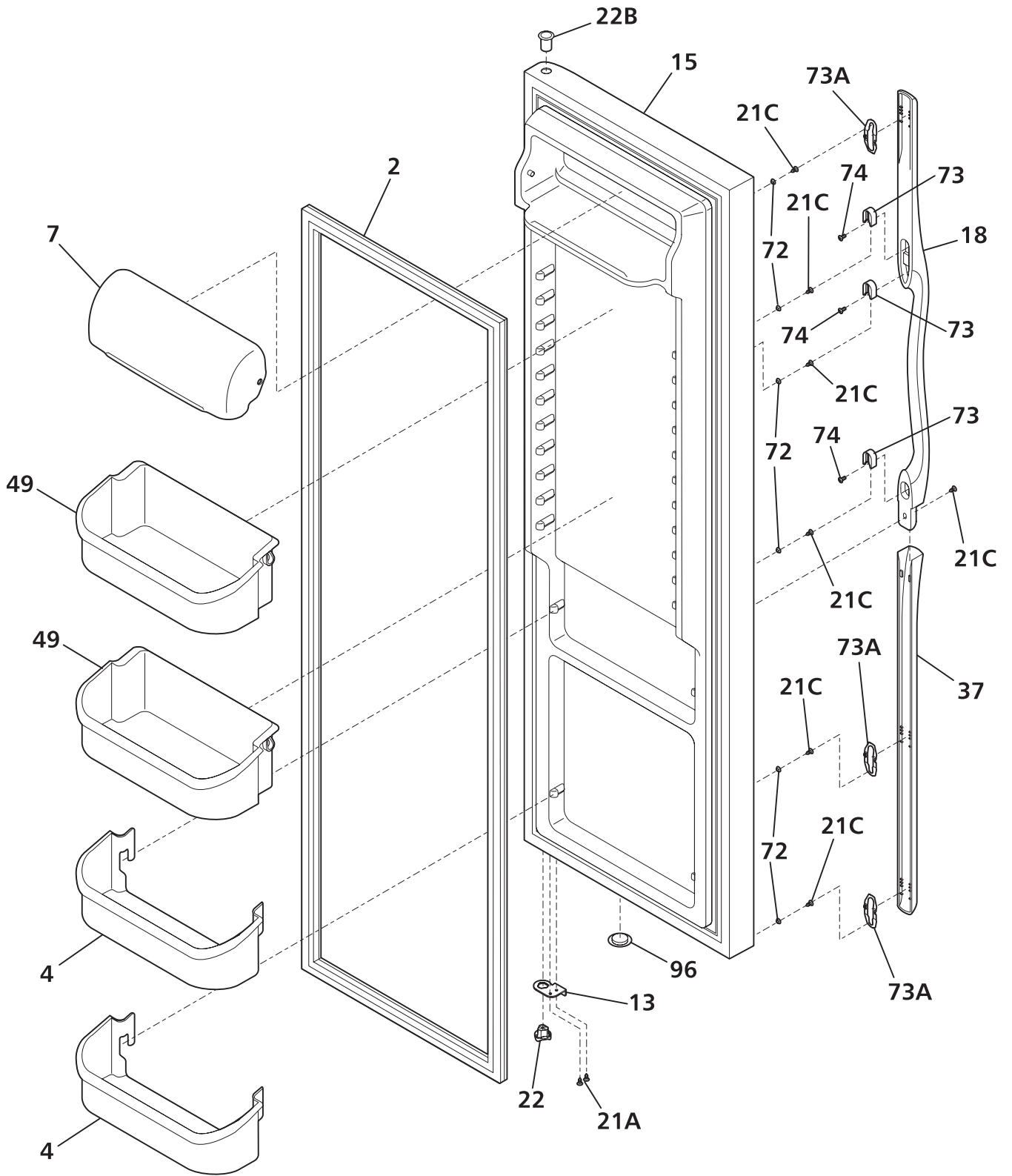


N58FCCBBB0

## FREEZER DOOR

POS. NO	PART NO	DESCRIPTION
1 #	240390606	Gasket-frzr door,black ,magnetic
4A	240334201	Bin-door,frzr-upper
4B	240351601	Bin-door
11	240451874	Door-frzr, stainless steel, complete assy
13A	240537106	Door Stop,black ,frzr
18	240359108	Handle-door,black
21A	5308016566	Screw, hex washer head, 8-15A x 0.625, low profile
21C	218781100	Screw,pan head ,8-18 x 0.625
22A	240328202	Bearing-hinge,closer
22C	240328404	Bearing-hinge,black ,upper
37	240359203	Trim-handle,30.13" ,black ,lower
68	240467701	Chute-ice
72	240421701	Button-handle mtg,dovetail
73	218396700	Block-handle mtg,dovetail
73A	240339101	Clip-trim
74	215503200	Screw,cr pan hd ,10-16 x 0.500
96	240345506	Plug,door foam hole ,black
*	218490900	Cleaner,stainless steel
*	240323201	Wiring Harness
*	240352101	Connector-water,straight
*	5303918256	Dispenser heater kit

REFRIGERATOR DOOR

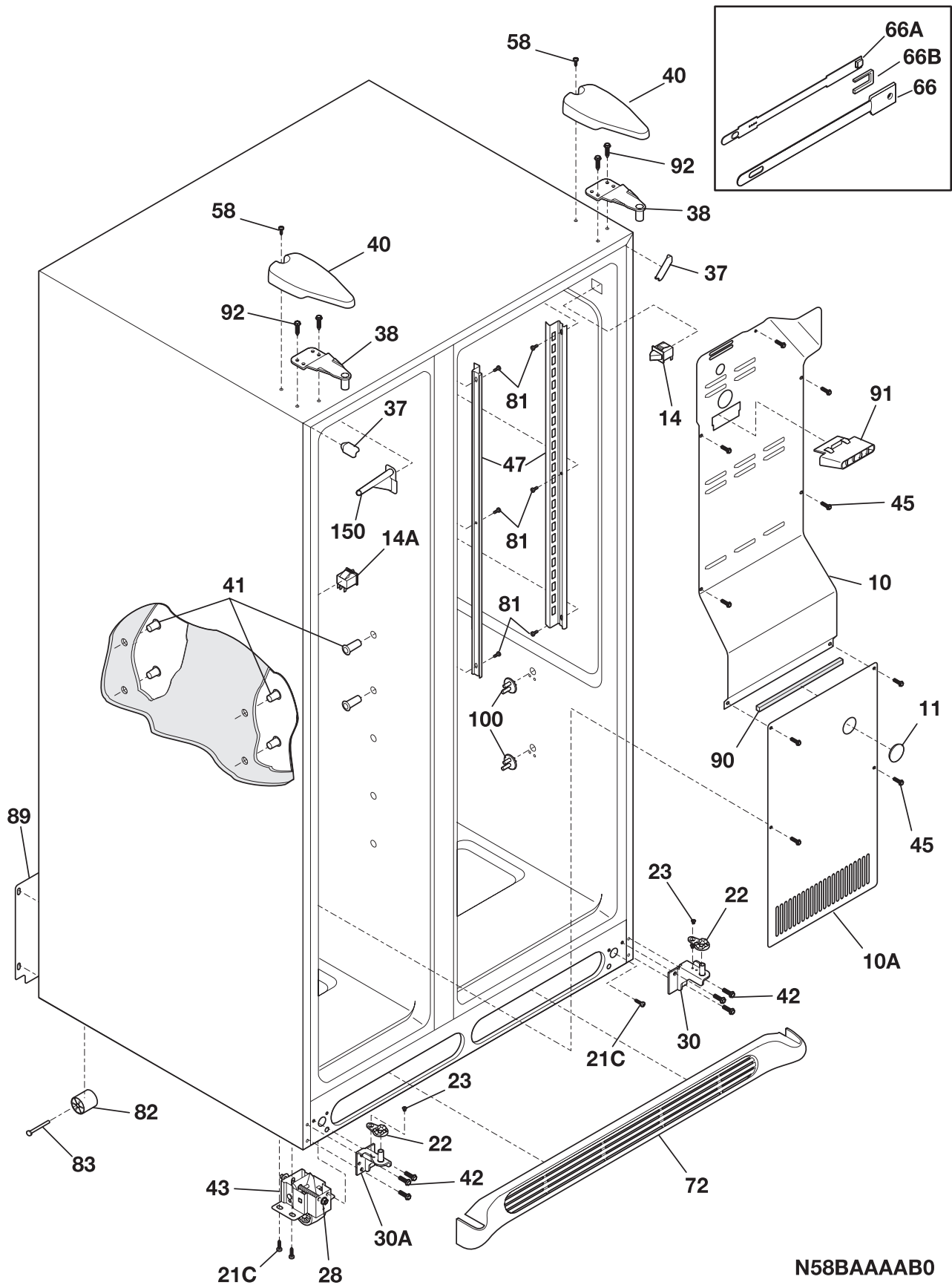


N58RCCBBB0

## REFRIGERATOR DOOR

POS. NO	PART NO	DESCRIPTION
2	240390605	Gasket-refr door,black ,magnetic
4	240323001	Bin-door,pseudo ,bottom
7	240326203	Door-dairy
13	240537105	Door Stop,black ,ref
15	240451942	Door-refr,stainless steel, complete assy
18	240359103	Handle-door,white
21A	5308016566	Screw,hex washer head ,8-15A x 0.625, low profile
21C	218781100	Screw,pan head ,8-18 x 0.625
22	240328201	Bearing-hinge,closer
22B	240328403	Bearing-hinge,upper
37	240359203	Trim-handle,30.13" ,black ,lower
49	240356401	Bin-door,gallon
72	240421701	Button-handle mtg,dovetail
73	218396700	Block-handle mtg,dovetail
73A	240339101	Clip-trim
74	215503200	Screw,cr pan hd ,10-16 x 0.500
96	240345506	Plug,door foam hole ,black
*	218490900	Cleaner,stainless steel

CABINET

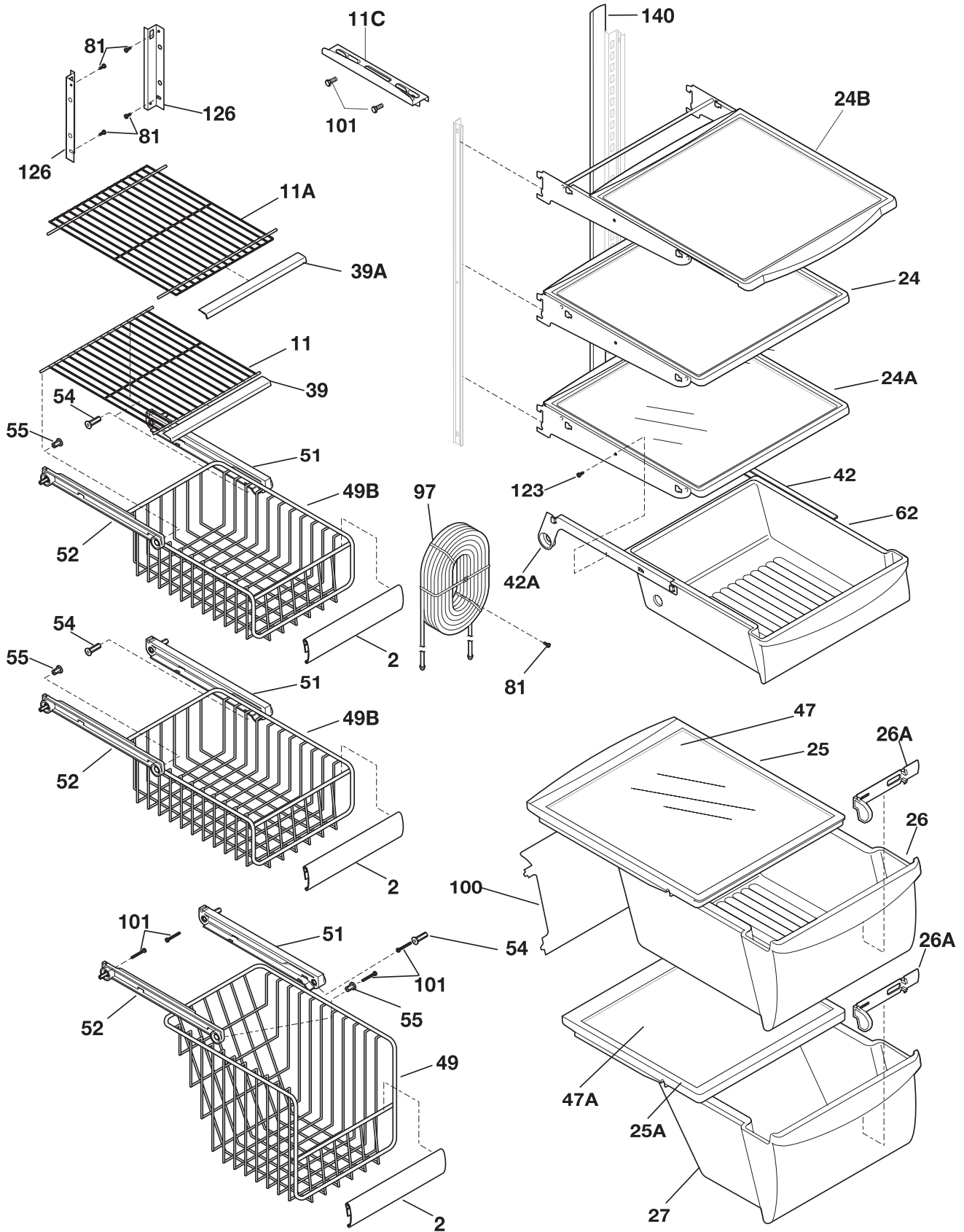


N58BAAAAB0

## CABINET

POS. NO	PART NO	DESCRIPTION
10	240435902	Cover-air duct
10A	240475902	Cover-evap coil,lower
11	5303208309	Plug-hole,factory test
14	240505801	Switch,light/lamp
14A#	215486600	Switch-light/lamp
21C	218252200	Screw,#8 truss hd ,10-32CA x 0.500
22	240457701	Plate-door closer
23	240402701	Screw-#10-32 x 1/4 flat hd
28	240335501	Bolt-roller adj,hex washer hd, 1/4-20 x 4.020, (2), special
30	240419103	Bracket-lower hinge, ref
30A	240419104	Bracket-lower hinge
37	240337603	Trim-cabinet corner,black ,(2)
38	240327202	Bracket-upper hinge
40	240327007	Cover-upper hinge,black
41	240358701	Grommet-shelf mtg,1.40" long
41	240358801	Grommet-shelf mtg,.875" long
42	240315301	Screw-hinge mtg,hex head ,1/4-20 x 0.75
43	240335003	Roller Assy,front ,(2)
45	241500301	Screw,hex washer head ,8-18AB x 0.500
47	240349401	Channel-shelf mtg,side ,(2)
58	218749600	Screw,#10 pan hd ,8-18 x .5
66	240504901	Cover-damper
66*	240518802	Pin-push,push-in ,plastic
66A	240505001	Damper-meat keeper
66B	240355901	Insulation-damper
72	240324406	Grille/Kickplate,black
81	5308016566	Screw, hex washer head, 8-15A x 0.625, low profile
82	5304418225	Roller,compressor base ,rear ,(2)
83	5303316859	Rivet, flat head, 1/4 OD x 1-3/4, roller pin
89	240326104	Cover,access ,system compt ,with label
90	218249808	Seal-coil cover
91	240380101	Duct-ice maker
92	5303001479	Screw-hinge mtg,hex hd ,1/4-20 x 0.875
100	240423701	Support,crisper cover ,front ,(4)
100*	240350802	Support,crisper cover ,rear ,(4)
150	240368701	Guide-control bulb
*	218515401	Clip
*	240396801	Clamp,tube/wiring ,nylon ,black/natural
*	240479601	Plug,button ,cab liner holes
*	240481601	Shim-lower hinge
*	5303305345	Paint,touch-up ,black

SHELVES



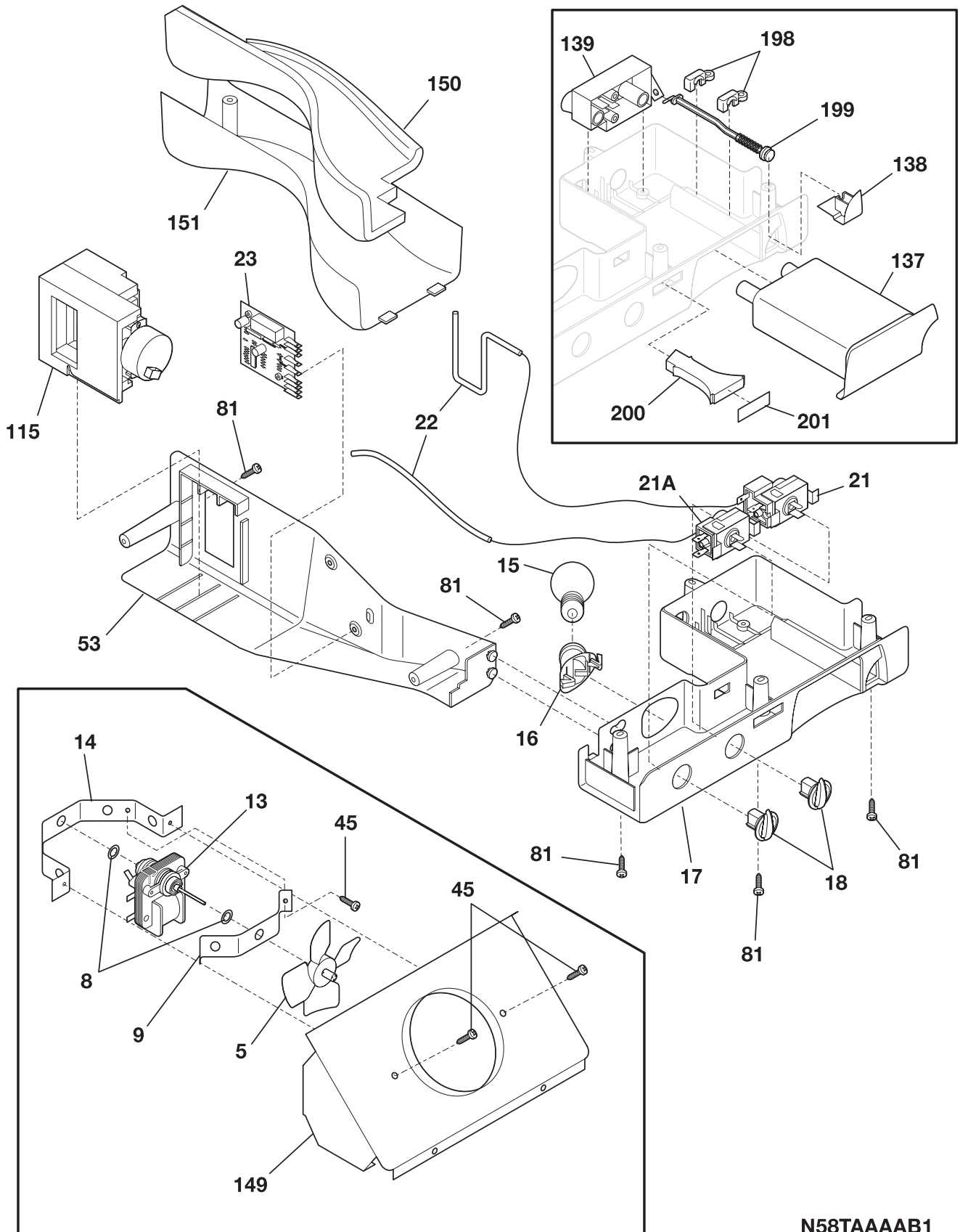
N58SBEB0



## SHELVES

POS. NO	PART NO	DESCRIPTION
2	240434604	Trim-basket
11	240338802	Shelf-freezer,flip-up
11A	240338704	Shelf-freezer,fixed wire
11C	240324101	Shelf-pizza
24	240355208	Shelf-"Spill-Safe",fixed
24A	240355207	Shelf-"Spill-Safe", cantilever, half width,fixed
24B	240350108	Shelf-"Spill-Safe", cantilever, sliding
25	240350702	Cover-crisper pan, upper
25*	240362101	Clip-slide, cover-crisper
25A	240350902	Cover-crisper pan, lower
26	240351005	Pan-crisper, upper
26*	240349801	Clip-slide, pan-crisper
26A	240362201	Control-humidity
27	240351205	Pan-crisper, lower
39	240430706	Trim-shelf,11.21" ,front
39A	240430702	Trim-shelf,12.39" ,front
42	240356501	Hanger-meat pan,RH
42A	240349701	Hanger-meat pan,LH
42A*	240349901	Block-meat pan rail,LH
42A*	240350001	Spring-meat pan rail
42A*	240356702	Seal-meat pan
47	240350633	Insert-pan cover,glass
47A	240350603	Insert-pan cover,glass
49	240530402	Basket-sliding
49B	240530502	Basket-sliding,upper ,half
51	240343002	Hanger-basket,RH
52	240343102	Hanger-basket,LH
54	240351901	Plug-hanger,right hand
55	240352001	Plug-hanger,left hand
62	240342805	Pan-meat
81	5308016566	Screw, hex washer head, 8-15A x 0.625, low profile
97	240545303	Water Tank Assy, coiled tubing, front filter
100	240326302	Cover-water tank
101	218493100	Screw, hex washer head, 8-18AB x 1-3/4
101*	215005000	Screw, hex washer head, 8-18AB x 0.750, gusset/hanger
123	215005100	Screw,hanger/rlr mtg ,8-10 x 0.438
126	218867401	Channel,auger mtg ,LH
126	218867402	Channel,auger mtg ,RH
140	240430501	Channel,wtr tube cover

CONTROLS



N58TAAAAB1

## CONTROLS

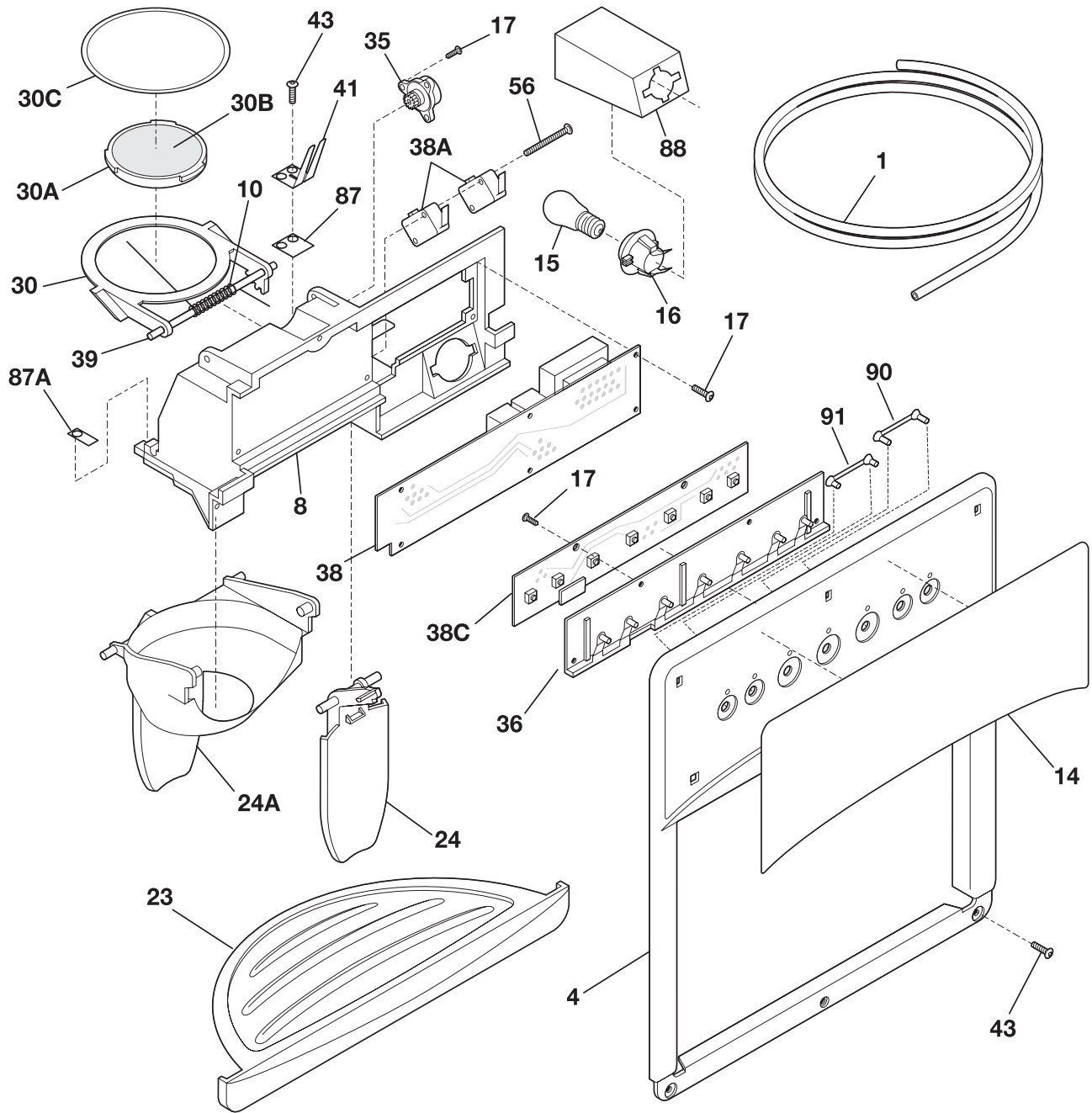
POS. NO	PART NO	DESCRIPTION
5 #	5308000010	Fan Blade,red ,evaporator fan
8	5300157666	Bushing-motor mtg,(2)
9	5303292396	Bracket-motor mtg,front
13 #	240315802	Motor-evap fan
13*	215474201	Washer,"slinger" ,nylon ,evap fan shaft
14	5303292397	Bracket-motor mtg,rear
15	240436702	Light Bulb/Lamp, A-15, clear, 40 W, 120 V,miniature
16	218906801	Socket-light/lamp
17	240317701	Box-control,front
17*	240439901	Wiring Harness,controls
18	240360801	Knob,temp control
21	240448303	Control-temperature
21A	5304421768	Control-temperature
22	218660702	Tube-insulator
23 #	240545403	Control-defrost, adaptive timer, PC board
23*	5303001259	Screw-timer mtg, pan hd, 6-20 x 0.438, (2)
45	241500301	Screw,hex washer head ,8-18AB x 0.500
53	240369501	Box-control
81	5308016566	Screw, hex washer head, 8-15A x 0.625, low profile
115	240521103	Damper Assy,w/seal
115*	5304421593	Switch-micro, single pole, double throw, damper assy
137	240396401	Filter, water, front, cassette
137*	240396701	Bypass, water filter, Optional Part
138	240397301	Button-filter release
139	240396001	Base-water filter
139*	240526901	O-ring,wtr filter base
149	240331602	Shroud-fan orifice
150	240394204	Insulation-water tube cover
151	240373806	Cover-water tube
198	240397401	Retainer
199	240397501	Rod
199*	240398401	Spring-filter release rod
200	240397601	Light Pipe
201	240398501	Label-control box
*	3205266	Edge Protector,wiring harness



## SYSTEM

POS. NO	PART NO	DESCRIPTION
1	240333603	Condenser
3	218679607	Block-evap coil, styrofoam ,(2)
4 #	218944001	Drier-filter,R134a System
6	240346402	Harness-wiring, machine compt
6*	240439901	Wiring Harness, controls
6*	240449601	Harness-wiring
14 #	5303918253	Defrost Heater Kit
15 #	5303918216	Evaporator Kit
16	5308000110	Strap-evap/heater, aluminum ,(2)
21	5303918214	Thermostat-defrost,kit
22	240330003	Base-compressor
23	218513300	Grommet-compr mtg,(4)
25	240491501	Screw-compressor mtg,1/4-28 x 1.16, shoulder, typ CF
26	240332602	Pan-defrost drain
29 #	5303918254	Compressor,w/electricals
30 #	218721119	Starter,PTC
32	218973501	Clamp,elec cont mtg ,compressor
34	240405201	Grommet,rubber ,black ,cond tube/wire
41	218897001	Screw,hex washer head ,8-32 x 1/4
44	215174700	Clamp-service cord, strain relief, galv steel
44*	5303001199	Clamp-wiring harness, strain relief, galv steel
45	5308016566	Screw, hex washer head, 8-15A x 0.625, low profile
55 #	218909901	Capacitor-run,220 VAC ,15 microfarad
57	240403601	Clip-wiring harness
58	215004600	Screw,hx serr wshr hd ,8-36 x 7/16, cond fan motor, (2)
59	240315501	Shroud-cond fan
59*	240346701	Tape-foam seal,shroud
59*	240359401	Screw-fan shroud,(2)
59A	240346501	Bracket-support,cond mtr ,(3)
59B	240346601	Grommet-bracket,(3)
60 #	240334002	Motor-condenser fan
61 #	240315401	Fan Blade,galv steel ,condenser fan
61A	215004700	Nut,speed
61B	215004800	Grommet-silencer
62	240429402	Trough-drain
70	218990801	Bracket-evap/cvr mtg
72	218397000	Button-handle mtg,dovetail
82	5304418225	Roller,compressor base ,rear ,(2)
83	5303316859	Rivet, flat head, 1/4 OD x 1-3/4, roller pin
84	5304421068	Tube-drain,lower
85	240346201	Tube-connector,suction
86	240409302	Spacer-cond tube,black
* #	5303918213	Heat Exchanger Kit,suction line
* #	5303918222	Hot Tube Repair Kit,Service

DISPENSER

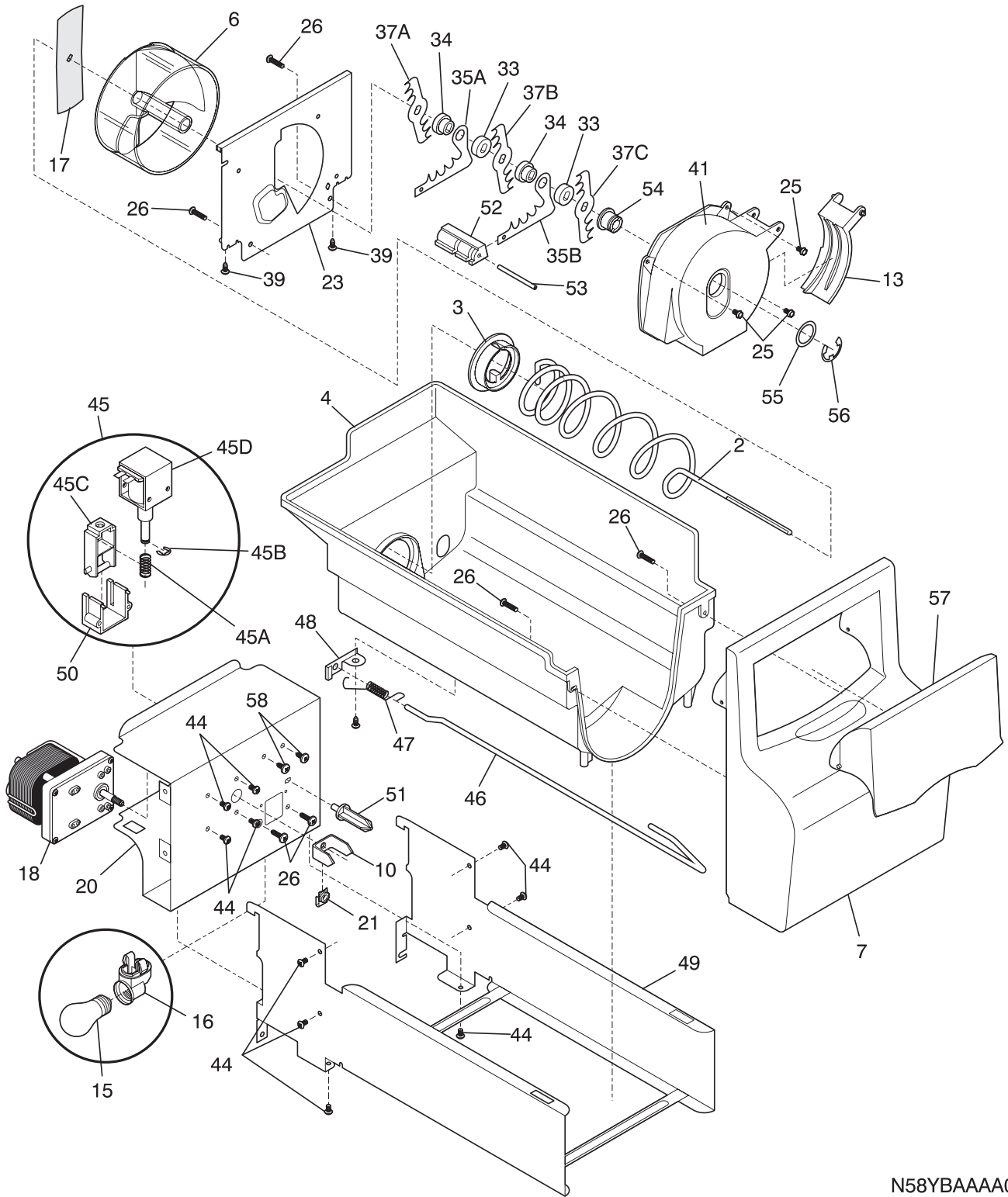


N58XBAAAB0

## DISPENSER

POS. NO	PART NO	DESCRIPTION
1	218976409	Tube-water
1*	218976901	Tube-water inlet, inlet valve to ice maker
1*	218976903	Tube-water inlet, inlet valve to filter
1*	218976907	Tube-water inlet, valve to door
4	5304422012	Cover-module, black
8	5304422013	Module-dispenser
10	5304421626	Spring-torsion
14	240323910	Label-module cover,black
15	5304421616	Light Bulb/Lamp
16	215284900	Socket-light/lamp
17	5304421619	Screw
23	240323603	Drip Tray,black
24	5304422026	Actuator-water, black
24A	5304422025	Actuator-ice,black
30	5304421628	Door Assy-ice chute
30A	5304421624	Door center
30B	5304421625	Insulation-door
30C	5304421629	Door seal
35	5304421620	Damper-rotary
36	5304421824	Carrier
38	5304421827	Power Board
38A#	5304421617	Switch-micro,single pole, double throw
38C	5304426004	Board-control
39	5304421627	Pin-hinge
41	5304421829	Spring-actuator
43	215296300	Screw,plask h/l ,#6 x 3/8
56	5304421830	Screw-micro switch,pan head
87	5304421622	Bearing Plate
87A	5304421621	Bearing Plate
88	5304421615	Shield-light
90	5304421831	Light Pipe,reflector
91	5304421850	Light Pipe,reflector ,short
*	5303918256	Dispenser heater kit

ICE CONTAINER



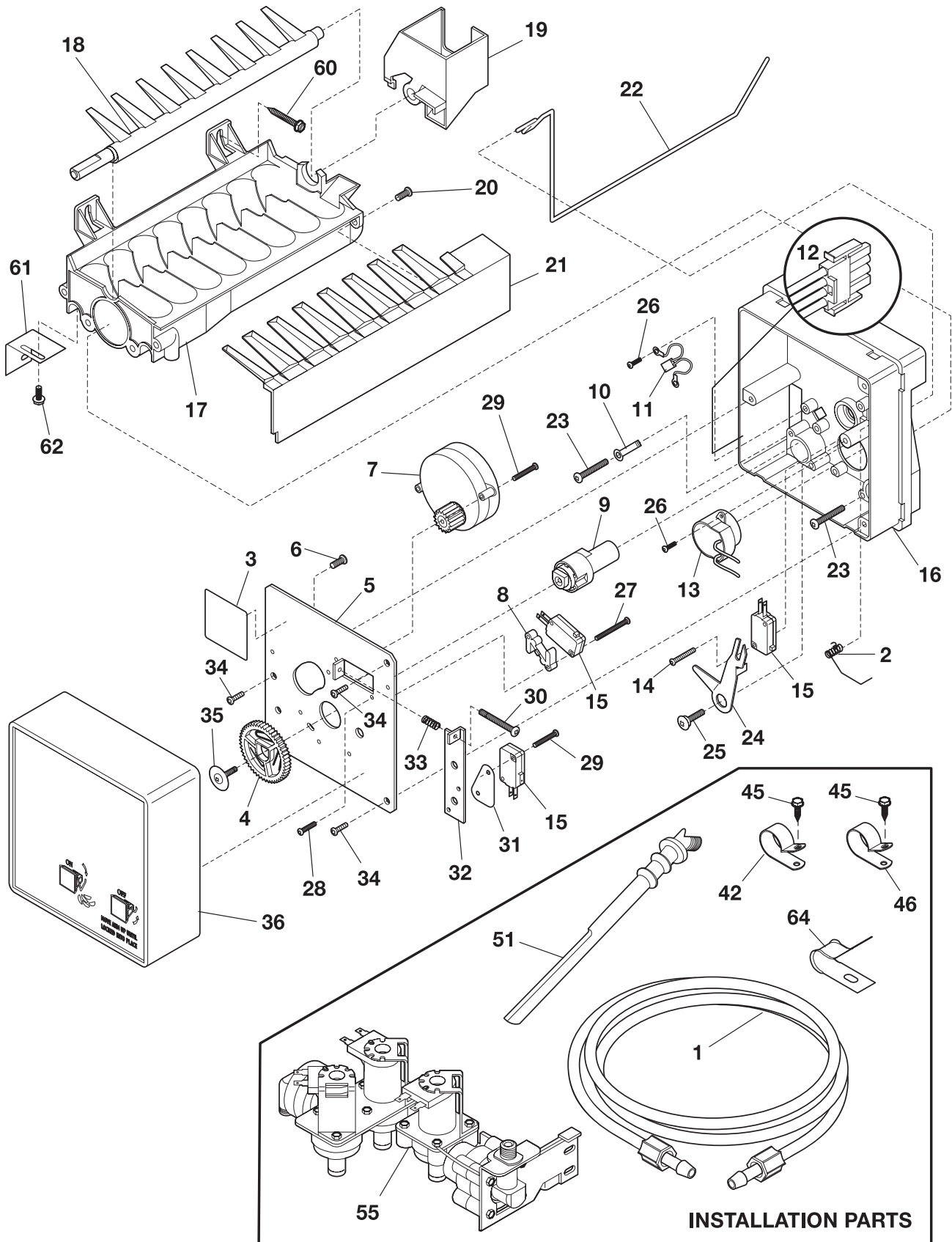
N58YBAAAA0



## ICE CONTAINER

POS. NO	PART NO	DESCRIPTION
2	5304428402	Auger-ice
3	5304404343	Cam-drive
4	218815300	Container-ice, bucket only
6	5304404346	Drum-ice disp
7	218815400	Front-ice container
10	5304404337	Bar-drive
13	5304404359	Gate
15	5303001179	Light Bulb/Lamp, 40 W
16	5303289050	Socket-light/lamp
17	5304404345	Drive Blade
18 #	240326903	Motor-auger
18*	5304404335	Wiring Harness, auger motor
20	5304404332	Cover-motor
21	215285100	Nut-drive
23	5304404347	Plate-front
25	5304404362	Screw, hex washer head, 8-32T x 0.375
26	215503200	Screw, cr pan hd, 10-16 x 0.500
33	5304404351	Spacer
34	5304404349	Spacer
35A	5304404353	Fixed Blade,round
35B	5304404352	Fixed Blade,square
37A	5304404348	Blade, crusher #1
37B	5304404350	Blade, crusher #2
37C	5304404356	Blade, crusher #3
39	5304404365	Screw
41	5304404358	Housing-crusher
44	218359200	Screw, pan head, 8-32 x 0.250
45 #	5304404333	Solenoid Assy
45A	5304406816	Spring-solenoid
45B	5304406817	E-Ring-solenoid
45C	5304406818	Actuator-solenoid
45D	5304406819	Solenoid
46	5304404341	Control Rod
47	5304404342	Spring-control rod
48	5304404340	Bracket-control rod
48*	5304404364	Screw-bracket
49	5304404329	Rail Assy
50	5304404334	Guide-solenoid
51	5304404336	Rotation Stop
52	5304404354	Spacer-fixed blades
53	5304404355	Pin-spiral, fixed blades
54	5304404357	Nut-auger
55	5304404360	Washer
56	5304404361	E-ring
57	5304404363	Door-access
58	5304404331	Screw-solenoid
*	240323808	Ice Container Assy,w/moving parts
*	240507202	Deflector-ice container

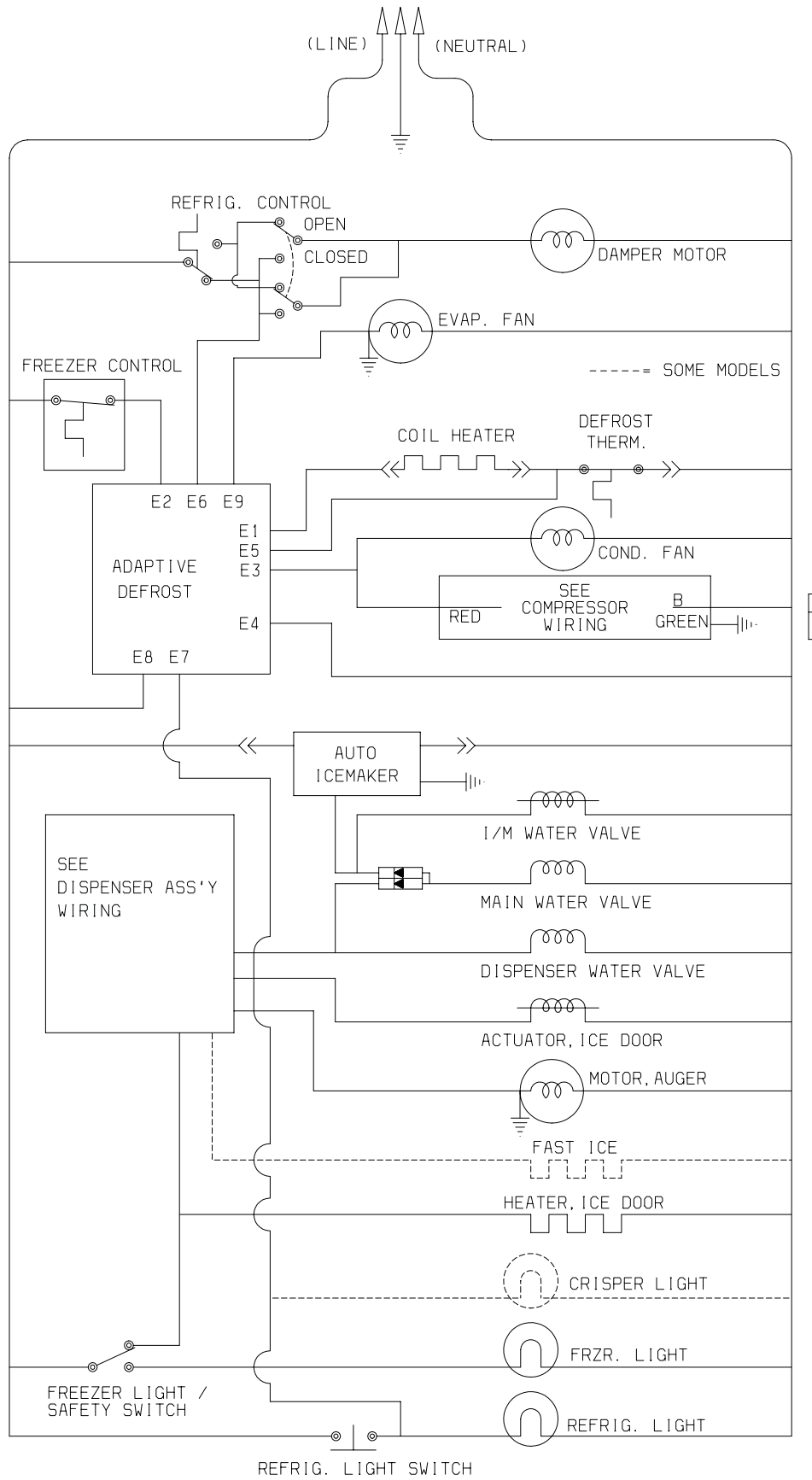
ICE MAKER



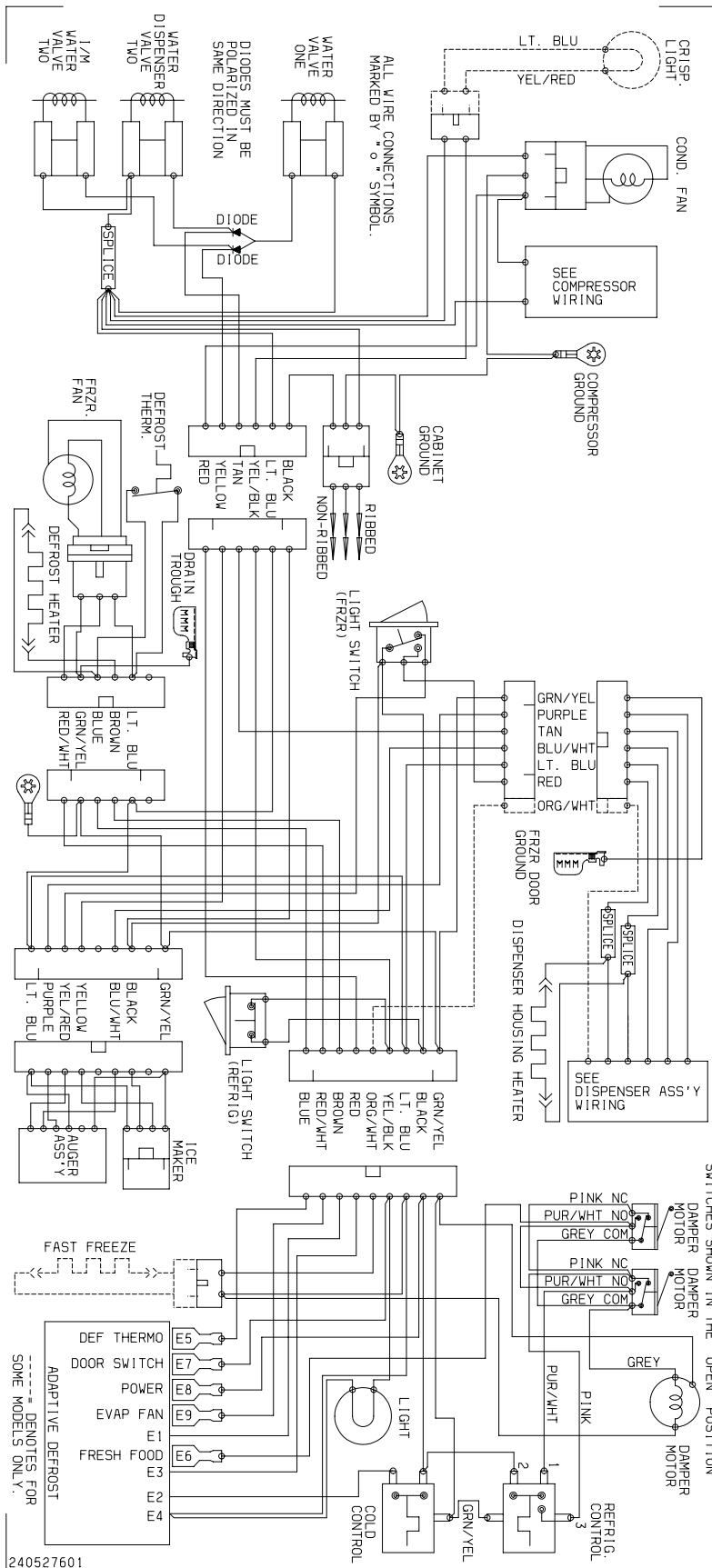
## ICE MAKER

POS. NO	PART NO	DESCRIPTION
1	218976409	Tube-water
1*	218976901	Tube-water inlet, inlet valve to ice maker
1*	218976903	Tube-water inlet, inlet valve to filter
1*	218976907	Tube-water inlet, valve to door
2	5304420650	Spring,shut-off arm
3	3206299	Label,ID plate
4	3206301	Gear
5	3206303	Plate-mounting
6	3206305	Screw-ground wire,8-32 x 0.250
7 #	3206306	Motor-ice maker
8	3206312	Spacer-hold switch
9	3206313	Cam
10	3206315	Clamp
11 #	3206319	Thermal Cutoff, ice maker, complete assy
12 #	240352601	Wiring Harness, ice maker, internal, with plug
13 #	3206322	Thermostat Assy,ice maker
14	5304420652	Screw,4 x 0.750 ,switch mtg.
15 #	3206324	Switch,(3)
16	5304420653	Support,phenolic
17 #	5303320545	Mold-ice maker,Radius Cube ,with heater
18	3206328	Ejector-ice
19	3206330	Bearing & Inlet
20	5304408581	Screw, 8-32 x 0.375
21	3206332	Ice Stripper
22	3206333	Shut-off Arm
23	5304408582	Screw, 8-32 x 0.875, mold-to-support, (3)
24	3206335	Lever Arm
25	3206336	Screw,8-18 x 0.562 ,lever arm/sprt
26	5304420654	Screw-thermo/sprt,4-24 x 0.375 ,(4)
27	3206338	Screw, 4-40 x 1.000, hold switch mtg, (2)
28	3206339	Screw-timing stop,4-40 x 0.375
29	3206323	Screw,4-24 x 0.750 ,(6)
30	3206341	Screw-timing adj,8-32 x 1.000
31	3206342	Insulator
32	3206343	Plate-valve switch
33	5304408583	Spring-timing adj
34	5304420655	Screw,plazscrew ,8-10 ,(3)
35	5304408585	Screw
36	3206347	Cover-ice maker
42	5303001199	Clamp-wiring harness, strain relief, galv steel
42*	218515402	Clip,(2) ,tube mtg.
45	5308016566	Screw, hex washer head, 8-15A x 0.625, low profile
46	5303001193	Clamp,.50 ID ,steel ,water tube
46*	5308000133	Clamp,nylon ,.625 ID
51	240387101	Tube-water,ice mold fill ,extension
55 #	240321801	Valve-water,triple solenoid
55*	240363601	Screw-shoulder
55*	240542901	• Cap-water valve
55*#	240508101	• Valve-water (Service),single solenoid
55*#	240508102	• Valve-water (Service),dual solenoid, 115 V
60	5303207328	Screw, hex washer head, 8-15A x 1.000, (2)
61	218721500	Bracket-leveling,ice maker
62	218737900	Screw-IM brkt mtg, hex washer head, 8-32D x 0.375
64	5303001549	Clamp,0.31 ID ,steel ,copper wtr line
*	218888001	Adapter-water supply,nut & sleeve, compression ftg
*	240352407	Ice Maker,Radius Cube, 115 V, no instl parts

WIRING SCHEMATIC



WIRING DIAGRAM



240527601

# = Fast-moving Parts  
\* = Non-illustrated Parts