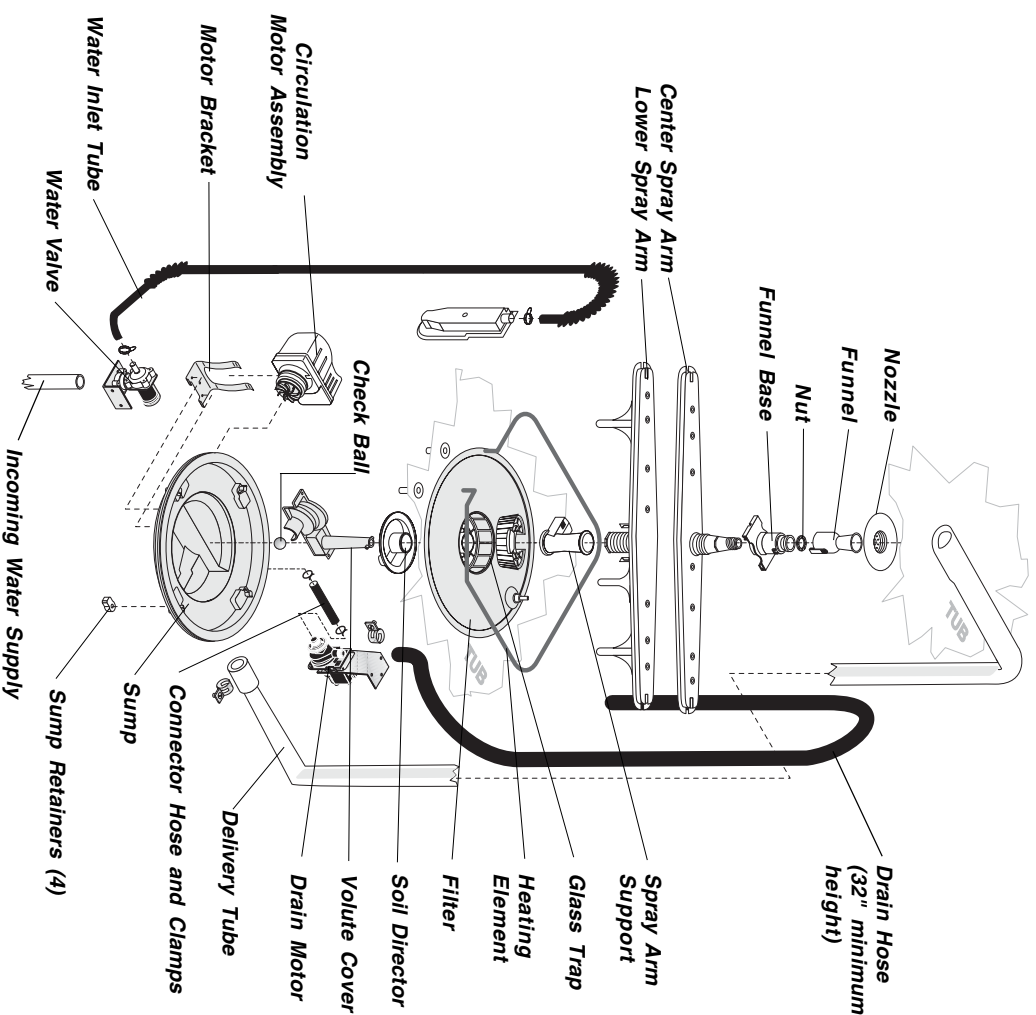


Exploded View of Wash System



Pump Assembly

The pump assembly is driven by a synchronous motor. Rotation is in the counterclockwise direction at 3600 RPM. The motor drives a pump which supplies 100 percent filtered water at a rate to approximately 12 GPM to one spray arm at a time. The spray arm's operation is alternated by small "pauses" of the motor during the wash cycle.

Draining is accomplished by using a small separate synchronous drain pump mounted to the side of the sump. The drain pump is connected to the main pump by a small rubber hose. The drain check valve is located at the

discharge end of the drain pump. The drain hose is attached by a worm gear clamp to the discharge end of the drain pump.

The drain hose must have a loop at a **minimum height of 32 inches** in order to insure proper drainage.

The main pump can easily be removed by disconnecting the upper spray arm supply tube hose, the drain pump connector hose, the wiring harness connections made at the circulation motor and rotating the four sump retainers toward the middle of the sump.

900 Watt Heater

Refer to the cycle chart on the reverse side to determine when the heater is on during the wash cycle. The heater cycles **ON** and **OFF** for brief periods during the drying cycle.

Voltage checks of the heater should be made with the timer set in the main wash.

Standard Dry Air Flow

The heated, moist air leaves the dishwasher through the console vent causing drier air to be drawn into the unit by way of intake vents located at the bottom of the door. The water on the dishes is evaporated into drier air and the venting process continues. The heating element is turned **ON** and **OFF** during the entire drying cycle.

On some models, when the control advances to the "dry" portion of the cycle, a linear actuator retracts a valve, which opens a vent path through the console into the kitchen.

Detergent and Rinse Aid Dispenser

The detergent and rinse aid dispenser is a one piece component consisting of a molded detergent cup and a built-in rinse aid dispenser. The detergent cup has a spring loaded cover and the rinse aid dispenser has a removable cover.

Liquid rinse aid is added to the dispenser up to the fill line indicator. The amount of rinse aid released can be adjusted by turning the arrow indicator from one, being the least amount, to four, being the greatest amount.

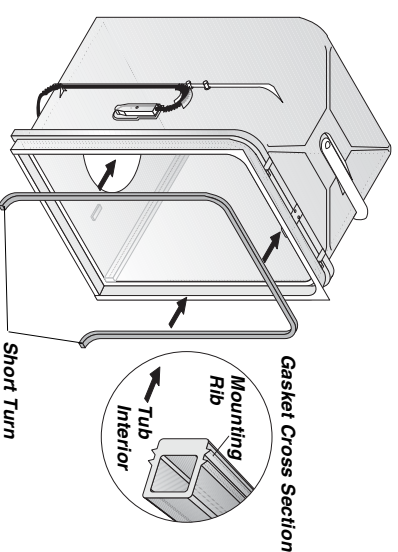
To replace dispenser:

- shut off electricity to dishwasher,
- remove outer door panel assembly,
- disconnect wiring to the actuator,
- remove the six screws,
- remove the dispenser,
- replace and reinstall screws,
- rewire actuator.

Tub and Door Seal

The door seal is pressed into the tub channel for an interference fit. Center the gasket (marked on back) at the tub top center and press in place

without stretching or bunching. The gasket takes a short turn at the bottom of the tub channel before ending at the channel end wall.



Product Specifications

Electrical

Rating 120 Volts, 60Hz
 Separate Circuit: 15 amp min. - 20 amp max.
 Motor (Amps) 1.1
 Heater Wattage 900
 Total Amps (load rated) 10.0
 TempBoost (some models) 122°F (50°C)
 Hi-Limit Thermostat 200°F (93°C)

Water Supply

Suggested minimum incoming water temperature 120°F (49°C)
 Pressure (PSI) min./max. 20/120
 Connection (NPT) 3/8"
 Consumption (Normal Cycle)
 6.0 U.S. gal., 5.0 Imp. gal., 22.7 liters
 Water valve flow rate (U.S. GPM)83
 Water recirculation rate (U.S. GPM)
 approx. 12
 Water fill time 87 sec.

Trouble Shooting Tips

⚠ WARNING

Personal Injury Hazard

Always disconnect the dishwasher from the electrical power source before adjusting or replacing components.

Symptom	Check the Following	Remedy
Dishwasher will not operate when turned on (wait at least 90 seconds).	<ol style="list-style-type: none"> 1. Fuse (blown or tripped). 2. 120 VAC supply wiring connection faulty. 3. Timer (contacts open or defective) 4. Motor (inoperative). 5. Door switch (open contacts). 6. Door latch not making contact with door switch. 7. Selector switch (open contacts). 	<ol style="list-style-type: none"> 1. Replace fuse or reset breaker. 2. Repair or replace wire fasteners at dishwasher junction box. 3. Replace timer. 4. Replace motor/impeller assembly. 5. Replace latch assembly. 6. Replace latch assembly. 7. Replace selector switch.
Motor hums but will not start or run.	<ol style="list-style-type: none"> 1. Motor (bad bearings). 2. Motor stuck due to prolonged non-use. 	<ol style="list-style-type: none"> 1. Replace motor assembly. 2. Rotate motor impeller.
Motor trips out on internal thermal overload protector.	<ol style="list-style-type: none"> 1. Improper voltage. 2. Motor windings shorted. 3. Glass or foreign items in pump. 	<ol style="list-style-type: none"> 1. Check voltage. 2. Replace motor/impeller assembly. 3. Clean and clear blockage.
Dishwasher runs but will not heat.	<ol style="list-style-type: none"> 1. Heater element (open). 2. Timer defective. 3. Wiring or terminal defective. 4. Hi-limit thermostat defective. 	<ol style="list-style-type: none"> 1. Replace heater element. 2. Replace timer. 3. Repair or replace. 4. Replace thermostat.
Detergent cover will not latch or open.	<ol style="list-style-type: none"> 1. Latch mechanism defective. 2. Timer contact defective. 3. Wiring or terminal defective. 4. Broken springs(s). 5. Defective actuator. 	<ol style="list-style-type: none"> 1. Replace dispenser. 2. Replace timer. 3. Repair or replace. 4. Replace dispenser. 5. Replace dispenser.
Dishwasher will not pump out.	<ol style="list-style-type: none"> 1. Drain restricted. 2. Drain contact defective. 3. Defective drain pump. 4. Blocked impeller. 5. Open windings. 	<ol style="list-style-type: none"> 1. Clear restrictions. 2. Replace timer. 3. Replace pump. 4. Check for blockage, clear. 5. Replace pump assembly.
Dishwasher will not fill with water.	<ol style="list-style-type: none"> 1. Water supply turned off. 2. Defective water inlet fill valve. 3. Check fill valve screen for obstructions. 4. Defective float switch. 5. Timer contact defective. 6. Wiring defective. 7. Float stuck in "UP" position. 	<ol style="list-style-type: none"> 1. Turn water supply on. 2. Replace water inlet fill valve. 3. Disassemble and clean screen. 4. Repair or replace. 5. Replace timer. 6. Repair or replace. 7. Clean float.
Timer does not advance.	<ol style="list-style-type: none"> 1. Timer motor (stalled or open.) 2. Check timer for power to timer motor. 3. Timer shaft binding to or knob interference with escutcheon. 4. Tempboost thermostat defective. 	<ol style="list-style-type: none"> 1. Replace timer. 2. Repair or replace timer. 3. Repair or adjust 4. Replace or adjust position of thermostat.
Dishwasher water siphons out.	<ol style="list-style-type: none"> 1. Drain hose (high) loop too low. 2. Drain line connected to a floor drain not vented. 	<ol style="list-style-type: none"> 1. Repair to proper 32-inch minimum height. 2. Install air gap at counter top.
Detergent left in dispenser.	<ol style="list-style-type: none"> 1. Detergent allowed to stand too long in dispenser. 2. Dispenser wet when detergent was added. 3. Detergent cover held closed or blocked by large dishes. 4. Improper incoming water temperature to properly dissolve detergent. 5. See "Detergent cover will not open." 	<ol style="list-style-type: none"> 1. Instruct customer/user. 2. Instruct customer/user. 3. Instruct customer/user on proper loading of dishes. 4. Incoming water temperature of 120°F is required to properly dissolve dishwashing detergents.

This information is intended for use by persons having electrical and mechanical training and a level of knowledge of these subjects generally considered acceptable in the appliance repair trade. Electrolux Home Products North America cannot be responsible, nor assume any liability, for injury or damage of any kind arising from the use of this Service Data Sheet.

P/N: 154442401

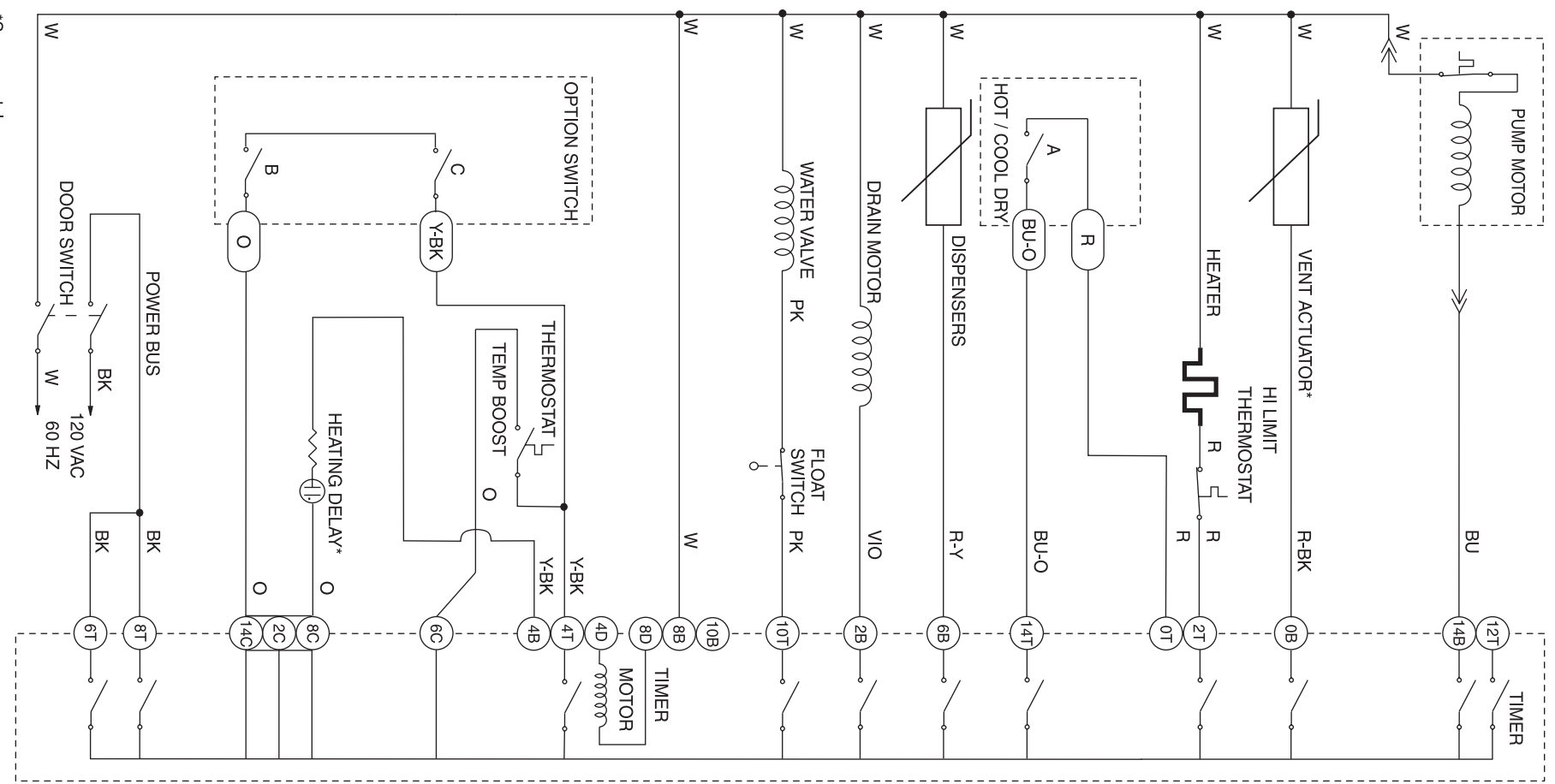
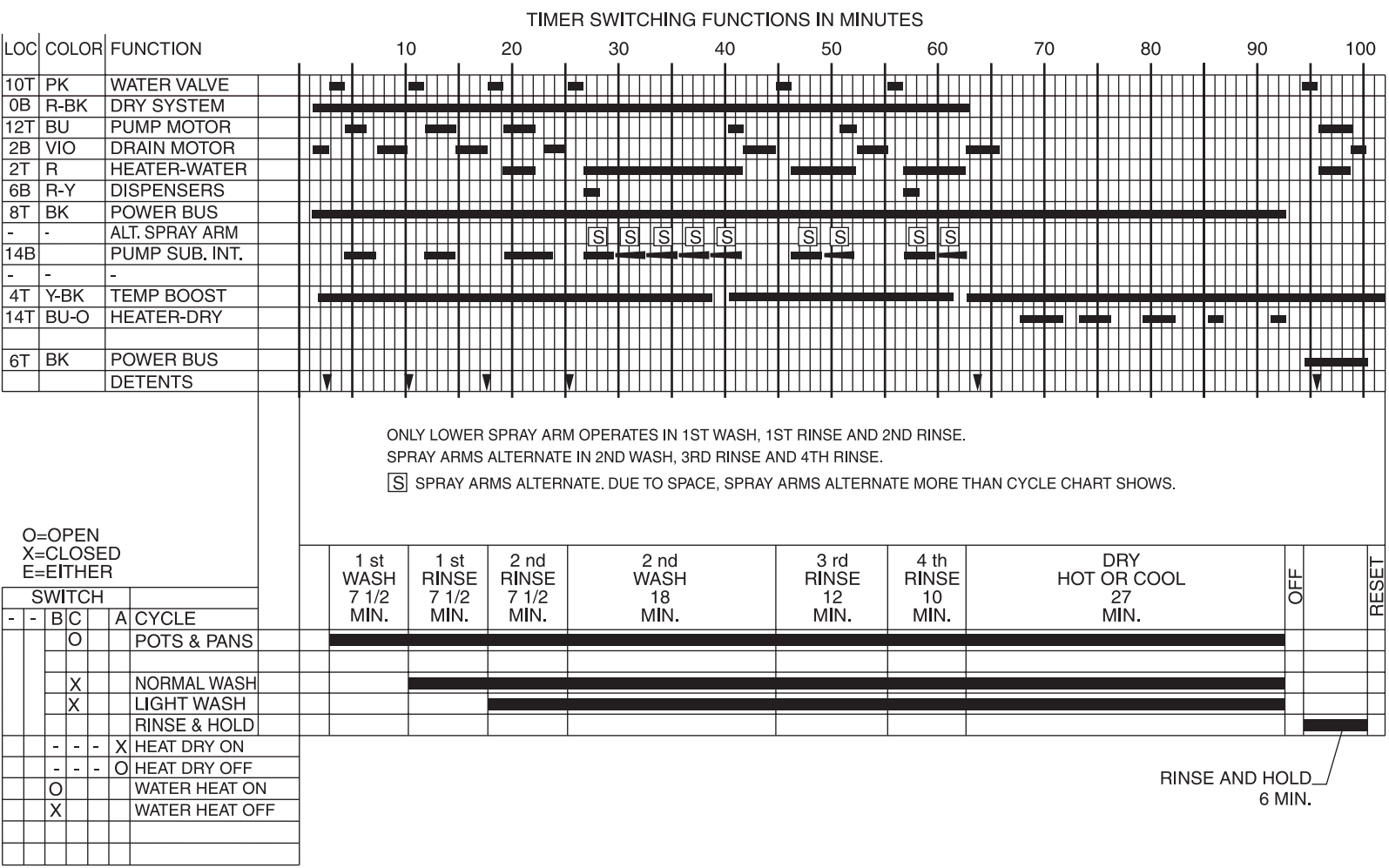
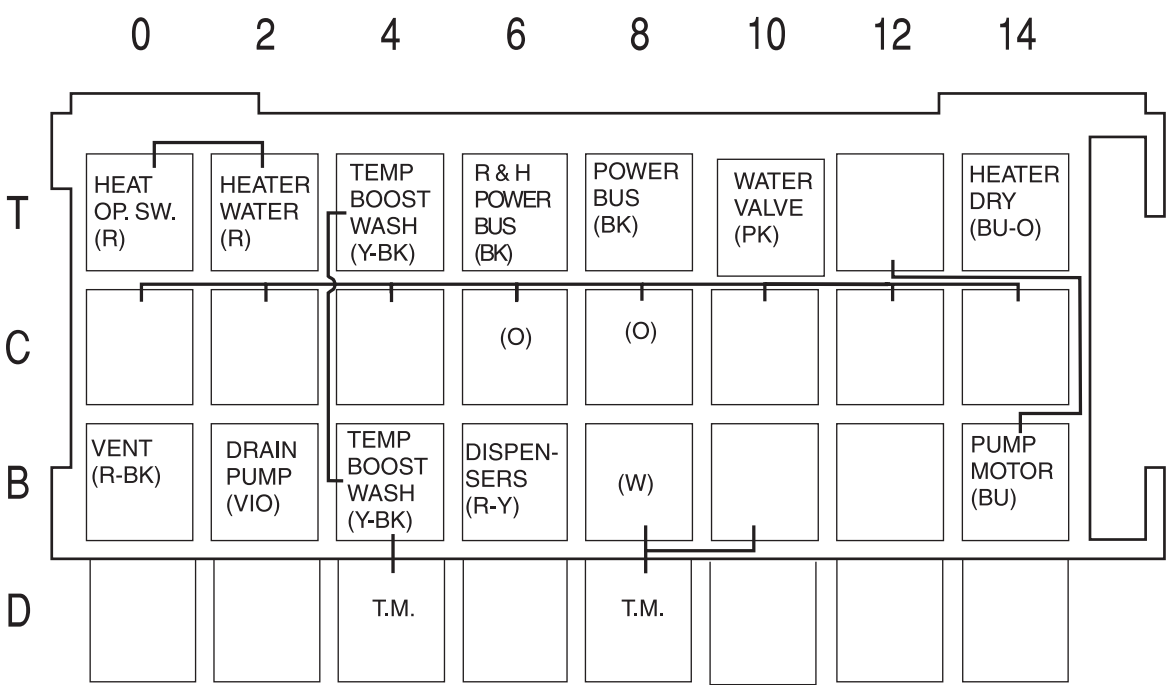
Frigitaine

020805

Color Code

- BK..... Black
- BU..... Blue
- BU-O..... Blue/Orange
- O..... Orange
- PK..... Pink
- R..... Red
- R-BK..... Red/Black
- R-Y..... Red/Yellow
- VIO..... Violet
- W..... White
- Y-BK..... Yellow/Black

Timer Block



*Some models