



# FRIGIDAIRE

## Factory Parts Catalog

|                           |               |
|---------------------------|---------------|
| Product No.               | LFEF3054TFE   |
| Series                    | 30" f/s elec  |
| Color                     | stainless     |
| Market                    | North America |
| Owner's Guide             | 808527608     |
| Installation Instructions | 316454912     |
| Service Data Sheet        | 808532544     |

### Frigidaire

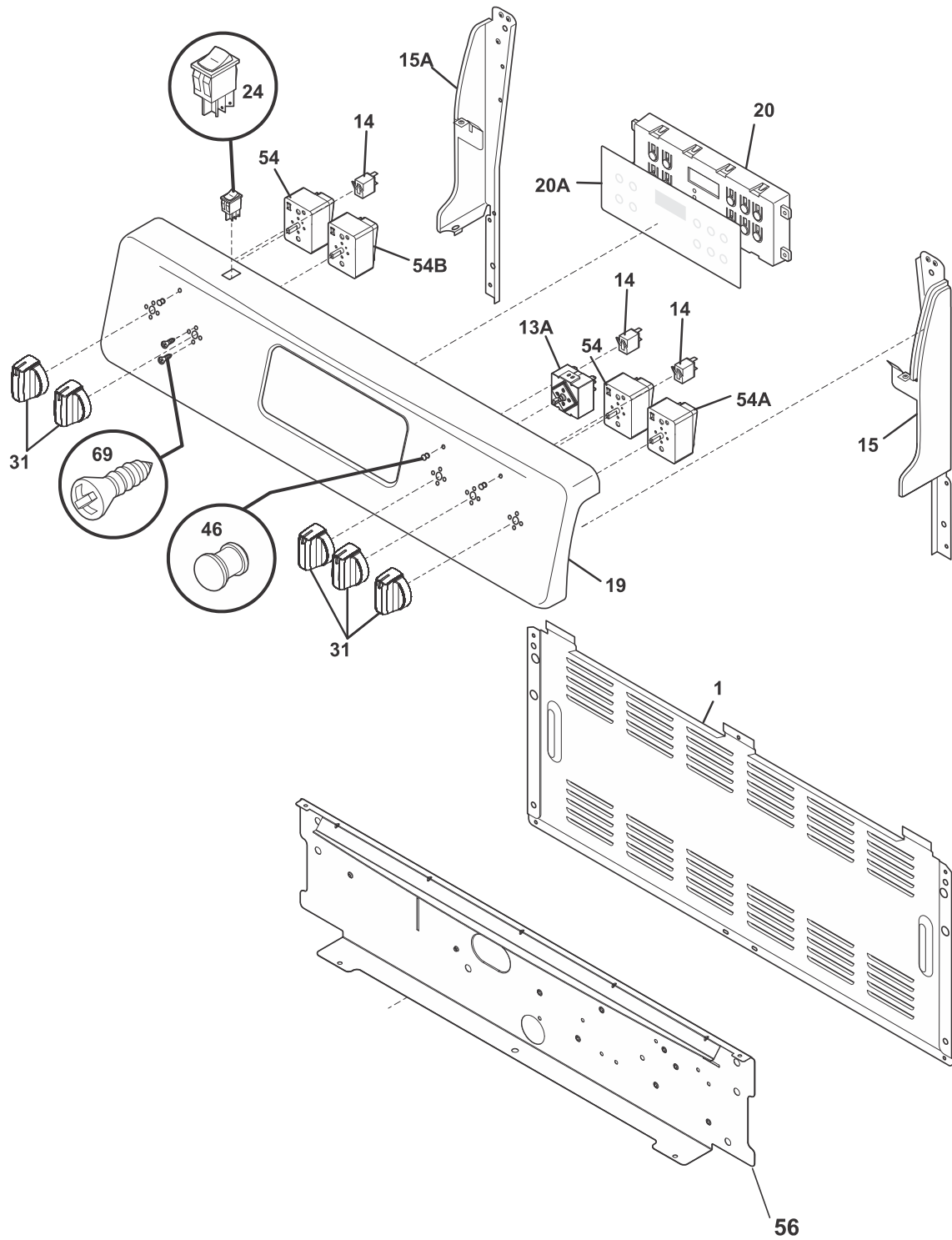
P.O. BOX 8020  
CHARLOTTE, NC 28262

Publication No.  
**5995694840**  
17/12/19  
(EN/SERVICE/ECL)  
369

### 30-INCH FREE- STANDING ELECTRIC RANGE

Model No.  
LFEF3054T

**BACKGUARD**

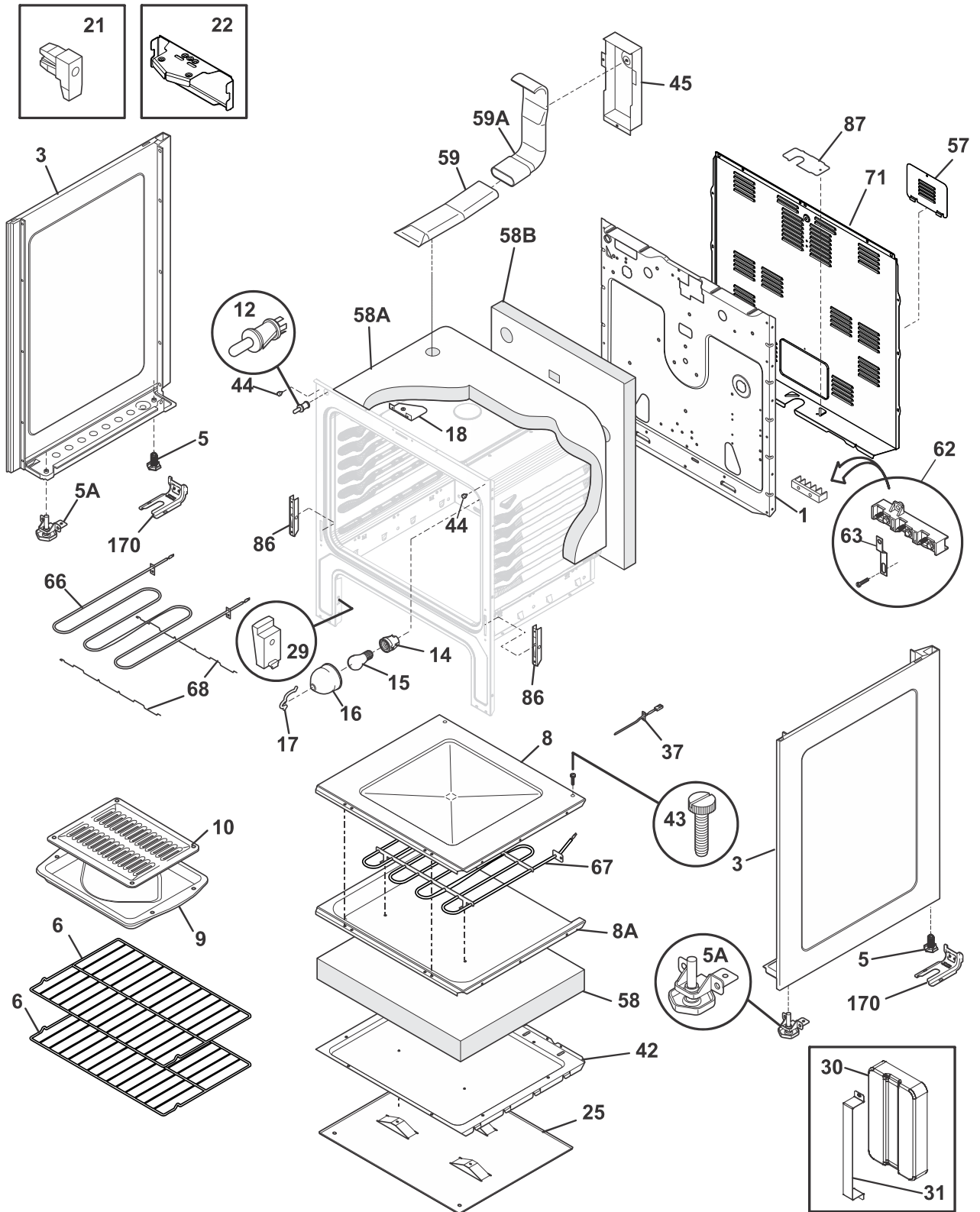


CLFEF3054TDA

**BACKGUARD**

| POS. NO | PART NO.   | DESCRIPTION                                 |
|---------|------------|---------------------------------------------|
| 1       | 316281801  | Shield, backguard, rear wall                |
| 13A#    | 5304508926 | Switch, infinite, warmer                    |
| 14      | 316022500  | Light/Lamp, indicator, black, 125 V         |
| 15      | 5304493644 | Cap, end, black, RH                         |
| 15A     | 5304493646 | Cap, end, black, LH                         |
| 19      | 5304509071 | Panel, backguard, stainless                 |
| 20 #    | 5304508924 | Controller, electronic, ES331               |
| 20A     | 316419146  | Overlay, clock, black, ES331                |
| 24 #    | 316448700  | Switch, rocker, black, oven light           |
| 31      | 5304508956 | Knob, control, black                        |
| 46      | 316557300  | Lens-light/lamp, indicator, clear           |
| 54 #    | 316436000  | Switch, infinite, small element             |
| 54A#    | 316436001  | Switch, infinite, large element             |
| 54B#    | 316238201  | Switch, infinite radian, dual               |
| 56      | 316234045  | Shield, backguard, black, inner             |
| 69      | 5303288565 | Screw, truss sqdr, 8-32 x 3/16, switch mtg  |
| *       | 316021105  | Screw, hex head cup pt, 8-18 x 0.375, black |
| *       | 316021109  | Screw, 8-18 x 0.5, chrome                   |
| *       | 316089500  | Screw, 10-16 x .486                         |

**BODY**



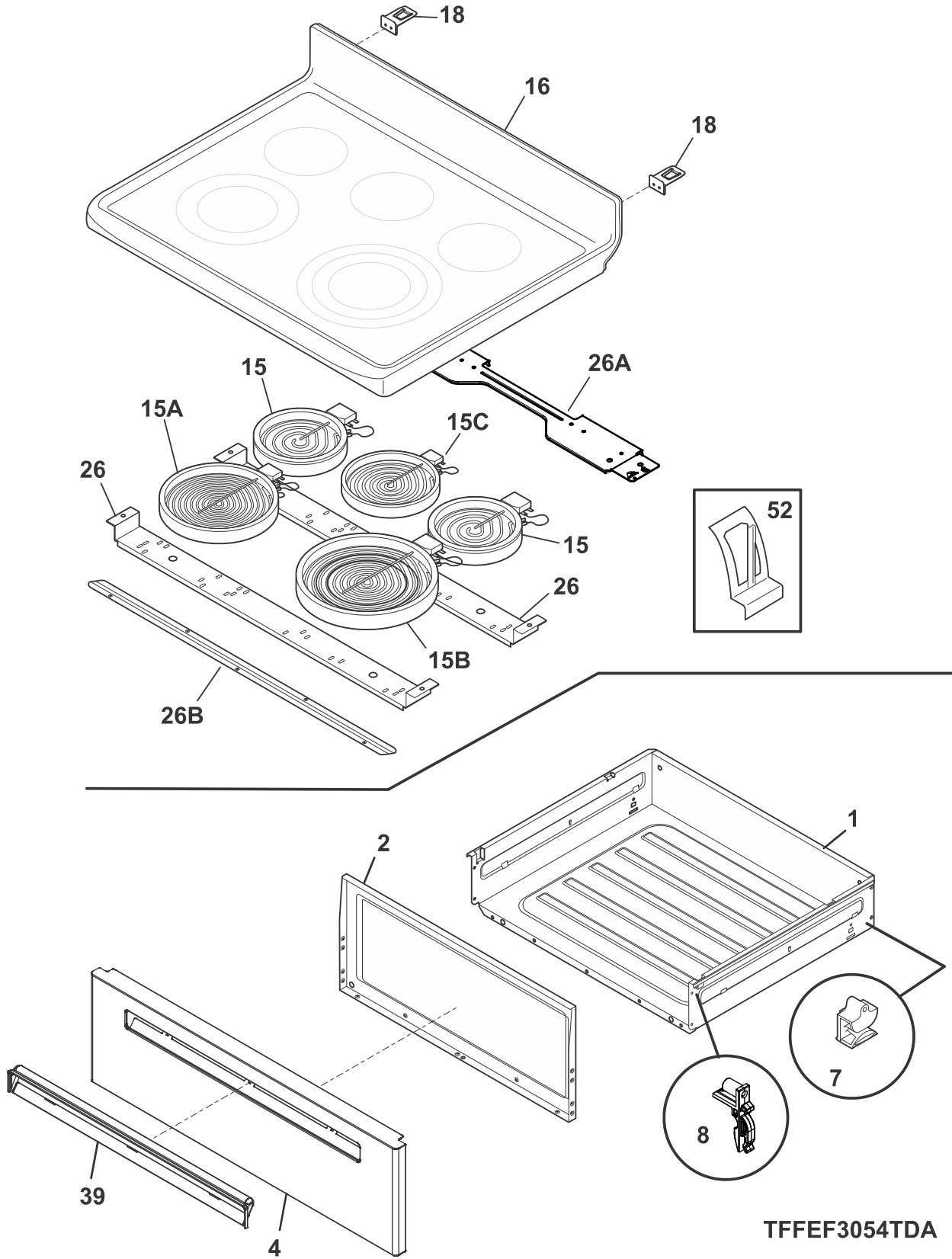
**NOTE: Oven Liner N/A  
Ass. du four N/A**

**VLFEF3054TFD**

## BODY

| POS. NO | PART NO.   | DESCRIPTION                                         |
|---------|------------|-----------------------------------------------------|
| 1       | 316401804  | Panel, main back                                    |
| *       | 316418901  | Screw, trilobe, 10-32 x 5/16", black                |
| 3       | 316400118  | Panel, bodyside, black, RH                          |
| 3       | 316400119  | Panel, bodyside, black, LH                          |
| 5       | 316272900  | Screw, leveling, plastic, rear, (2)                 |
| 5A      | 5304509869 | Leveling Leg Assy, metal, front, (2), bracket & leg |
| *       | 316089501  | Screw, 10-16                                        |
| 6       | 316496201  | Rack, oven                                          |
| 8       | 316400601  | Panel, oven bottom                                  |
| 8*      | 316064600  | Support, oven bottom                                |
| 8A      | 316411106  | Base, bake element                                  |
| 9       | 316081900  | Pan, broilerOPTIONAL ACCESSORY                      |
| 10      | 316082000  | Insert, broiler panOPTIONAL ACCESSORY               |
| 12      | 316445501  | Switch, oven light, door frame                      |
| 14 #    | 316116400  | Receptacle, oven light                              |
| 15 #    | 316538901  | Lamp, oven light                                    |
| 16      | 318406100  | Lens, oven light, glass                             |
| 17      | 316087500  | Retainer, lens                                      |
| 18 #    | 316405802  | Bracket, hole opening, no latch                     |
| 21      | 316408000  | Clip, bodyside                                      |
| 22      | 316286300  | Bracket-bodyside, (2)                               |
| 25      | 316406200  | Shield, heat, lower                                 |
| *       | 316279600  | Screw, bracket, stiffener, (4)                      |
| 29      | 807047102  | Glide, drawer, front                                |
| 30      | 5304511083 | Counterweight, concrete block                       |
| 31      | 5304511084 | Bracket, concrete block                             |
| 37 #    | 316490000  | Probe, oven temp                                    |
| 42      | 316407700  | Shield, wool, lower                                 |
| 43      | 3131732    | Screw, 8-18 x 1.438, oven bottom                    |
| 44      | 316517600  | Bumper, front, main                                 |
| *       | 5303285179 | Screw, wafer head, 8-32T x 0.500, black, 44*        |
| 45      | 316234100  | Shield, wire, vent tube                             |
| 57      | 316283600  | Cover, access                                       |
| 58      | 316403802  | Insulation, oven sump                               |
| 58A     | 316406604  | Insulation, oven wrapper                            |
| 58B     | 316406505  | Insulation, oven back                               |
| 59      | 316208401  | Vent Tube, assembly, w/catalyst                     |
| 59*     | 316247300  | Catalyst, oven vent, ceramic                        |
| *       | 316089500  | Screw, 10-16 x .486                                 |
| 59A     | 316208304  | Tube, oven vent, upper                              |
| 62 #    | 5303935271 | Terminal Block Kit                                  |
| 62*     | 316001003  | Screw, ground wire                                  |
| 62*     | 316205500  | Nut, hex flange, 3/8 10-32                          |
| 62*     | 316542200  | Insulator                                           |
| 63      | 316542600  | Plate, grounding strap                              |
| 66 #    | 316203301  | Element, broil                                      |
| 67 #    | 316413800  | Element, bake, hidden                               |
| 68      | 316404000  | Support, element, broil                             |
| 71      | 316283204  | Shield, rear wall                                   |
| 86      | 316441300  | Receptacle, hinge                                   |
| *       | 316418900  | Screw, sims lp, #8-32 x 5/16", black                |
| 87      | 316081200  | Bracket, cable mtg                                  |
| 170     | 316112005  | Anti Tip Kit, assy, w/template                      |
| 170*    | 316107200  | Bracket, anti-tip                                   |
| 170*    | 316116000  | Screw, concrete, 1.75", anti-tip brkt               |
| 170*    | 316541700  | Template, anti-tip                                  |
| * #     | 5304508962 | Harness, wiring, main                               |
| *       | 316021105  | Screw, hex head cup pt, 8-18 x 0.375, black         |
| *       | 316021109  | Screw, 8-18 x 0.5, chrome                           |
| *       | 5303289910 | Screw, truss sqdr, 8A x 1", 62*                     |

TOP/DRAWER

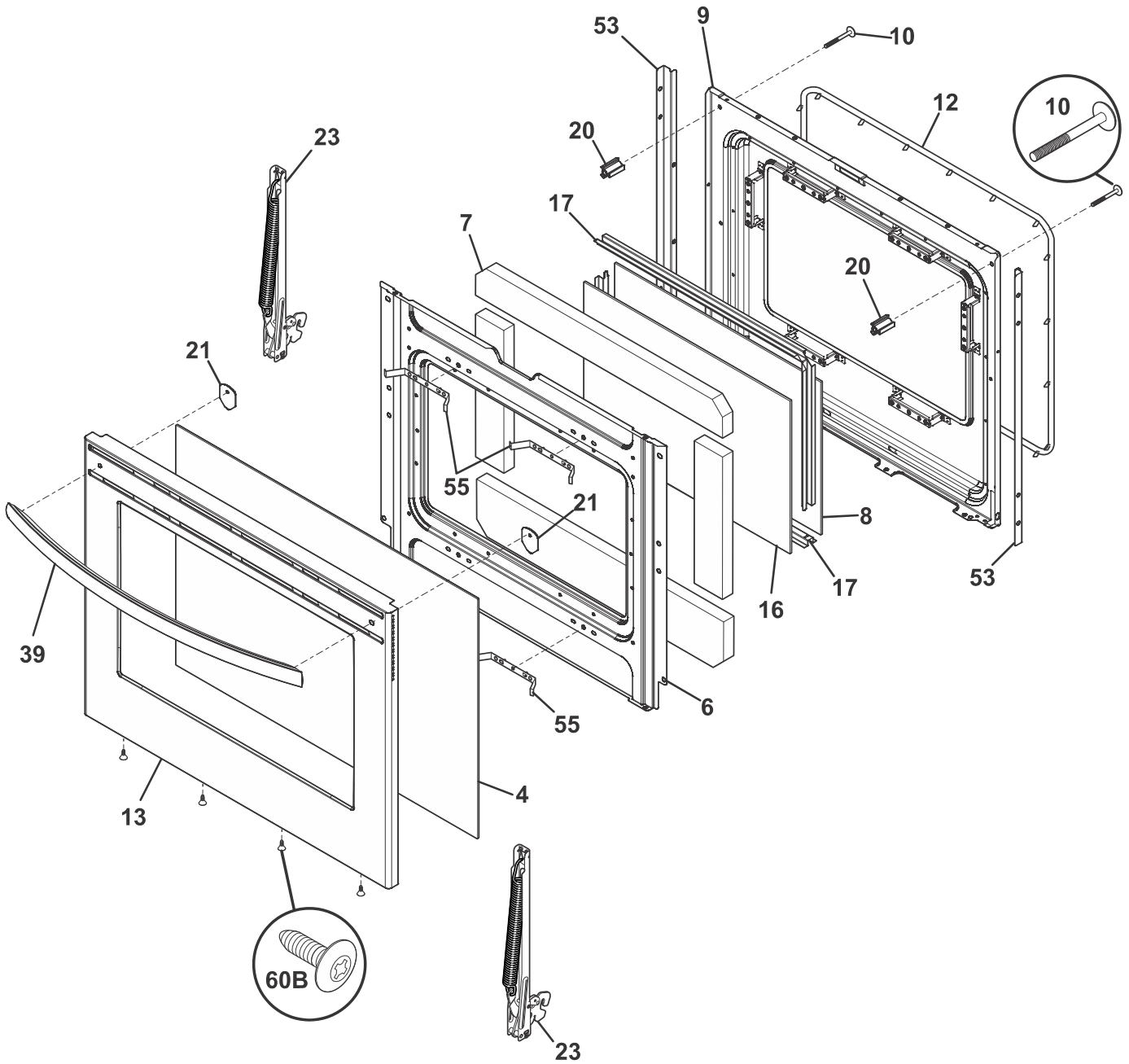


TFEF3054TDA

**TOP/DRAWER**

| POS. NO | PART NO.   | DESCRIPTION                                     |
|---------|------------|-------------------------------------------------|
| 1       | 316408707  | Drawer, utility                                 |
| 2       | 316403300  | Liner, drawer                                   |
| 4       | 5304513993 | Panel, drawer                                   |
| 7       | 316407401  | Glide, drawer, rear                             |
| 8       | 5304490938 | Glide, drawer, front                            |
| 15 #    | 318178110  | Element, surface, 6", 1200, (2), radiant        |
| 15A#    | 316282000  | Element, dual, 9"6", surface, 3000W, quick boil |
| 15B#    | 5304510566 | Element, radiant, 12", top, 2700W               |
| 15C#    | 5304509306 | Element, surface, warmer                        |
| 16      | 5304513244 | Smoothtop, assembly, glass/steel, black/white   |
| 18      | 316580800  | Bracket-hinge, main top                         |
| 26      | 5304512926 | Channel, element support                        |
| 26A     | 316498200  | Bracket-support, chassis, aluminum              |
| 26B     | 316607600  | Bracket, chassis support, front                 |
| 39      | 5304511565 | Handle, drawer, grey, insert                    |
| 52      | 316461700  | Clip, element mtg                               |
| 52*     | 5308014215 | Screw, 6-20 x 0.312                             |
| * #     | 5304511543 | Harness, wiring, surface                        |
| *       | 316021105  | Screw, hex head cup pt, 8-18 x 0.375, black     |
| *       | 316021109  | Screw, 8-18 x 0.5, chrome                       |
| *       | 316089500  | Screw, 10-16 x .486                             |
| *       | 316418901  | Screw, trilobe, 10-32 x 5/16", black            |

DOOR



DLFEF3054TDA



---

**DOOR**


---

| POS. NO | PART NO.   | DESCRIPTION                                  |
|---------|------------|----------------------------------------------|
| 4       | 316452758  | Glass, oven door, black, w/foil              |
| 6       | 316406312  | Shield-wool                                  |
| 7       | 316405600  | Insulation, oven door                        |
| 8       | 5304503232 | Glass, oven door, inner                      |
| 9       | 316423707  | Liner, oven door                             |
| 10      | 316439500  | Screw, handle mtg., 10-24 x 1.75", (2)       |
| 12      | 316405000  | Seal, oven door                              |
| 13      | 316603903  | Panel, oven door, stainless, outer           |
| 16      | 316117503  | Glass, oven door, inner                      |
| 17      | 5304504811 | Spacer, glass                                |
| 20      | 316284100  | Spacer, door handle, (2)                     |
| 21      | 316533801  | Plate, distribution, load                    |
| 23      | 316575909  | Hinge, oven door, black                      |
| 23*     | 316418900  | Screw, sims lp, #8-32 x 5/16", black         |
| 39      | 5304507752 | Handle, door, stainless                      |
| 53      | 316408201  | Shield, door filler, black, (2)              |
| 55      | 316408300  | Bracket, glass support, (4)                  |
| 60B     | 316021109  | Screw, 8-18 x 0.5, chrome                    |
| *       | 316483102  | Label, anti-tip                              |
| *       | 316021105  | Screw, hex head cup pt, 8-18 x 0.375, black  |
| *       | 5303285179 | Screw, wafer head, 8-32T x 0.500, black, 44* |