



FRIGIDAIRE

Factory Parts Catalog

Product No.	LFEF3054TFF
Series	30" f/s elec
Color	stainless
Market	North America
Owner's Guide	808527608
Installation Instructions	316454912
Service Data Sheet	808532575

Frigidaire

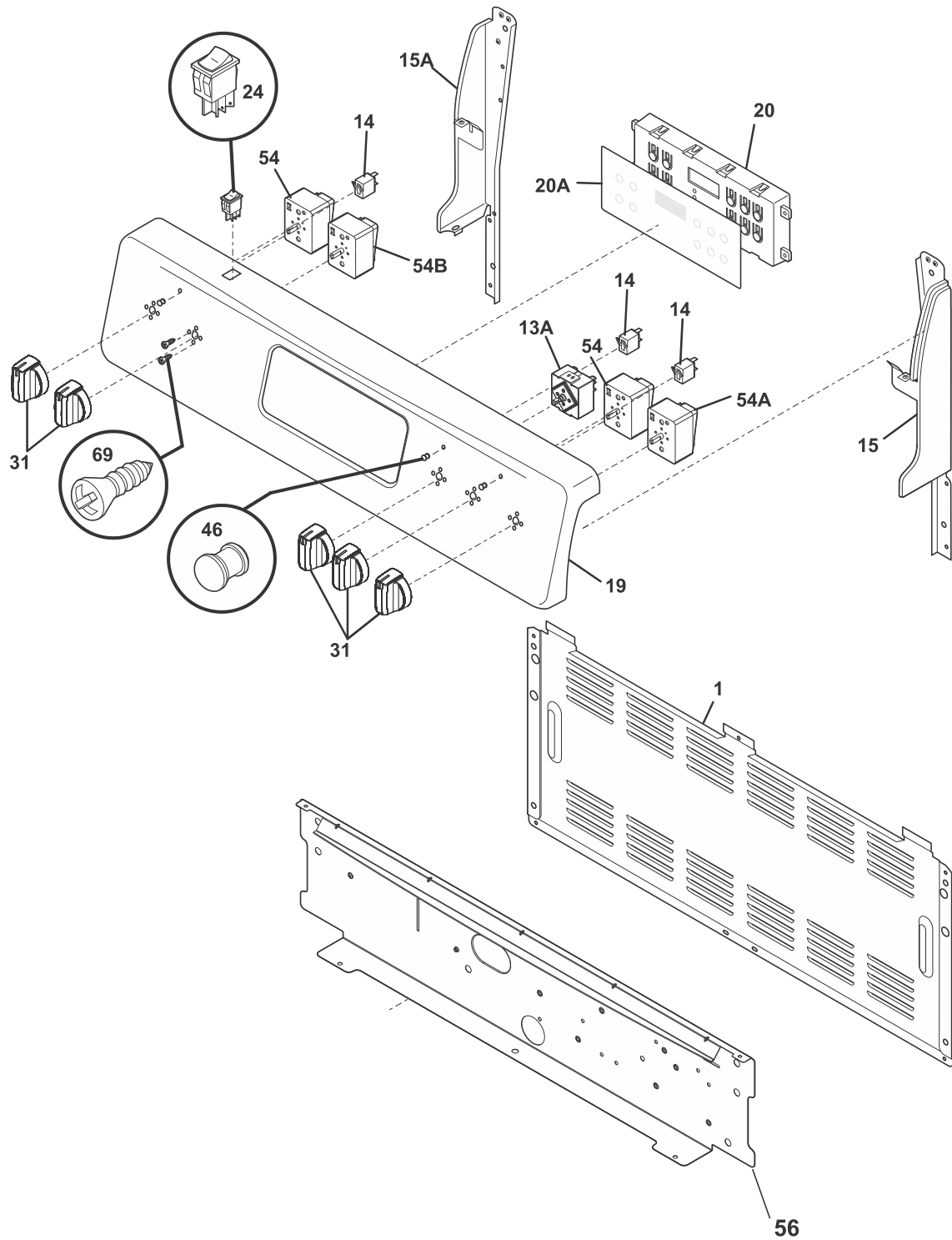
P.O. BOX 8020
CHARLOTTE, NC 28262

Publication No.
5995704334
18/06/21
(EN/SERVICE/)
369

30-INCH FREE- STANDING ELECTRIC RANGE

Model No.
LFEF3054T

BACKGUARD

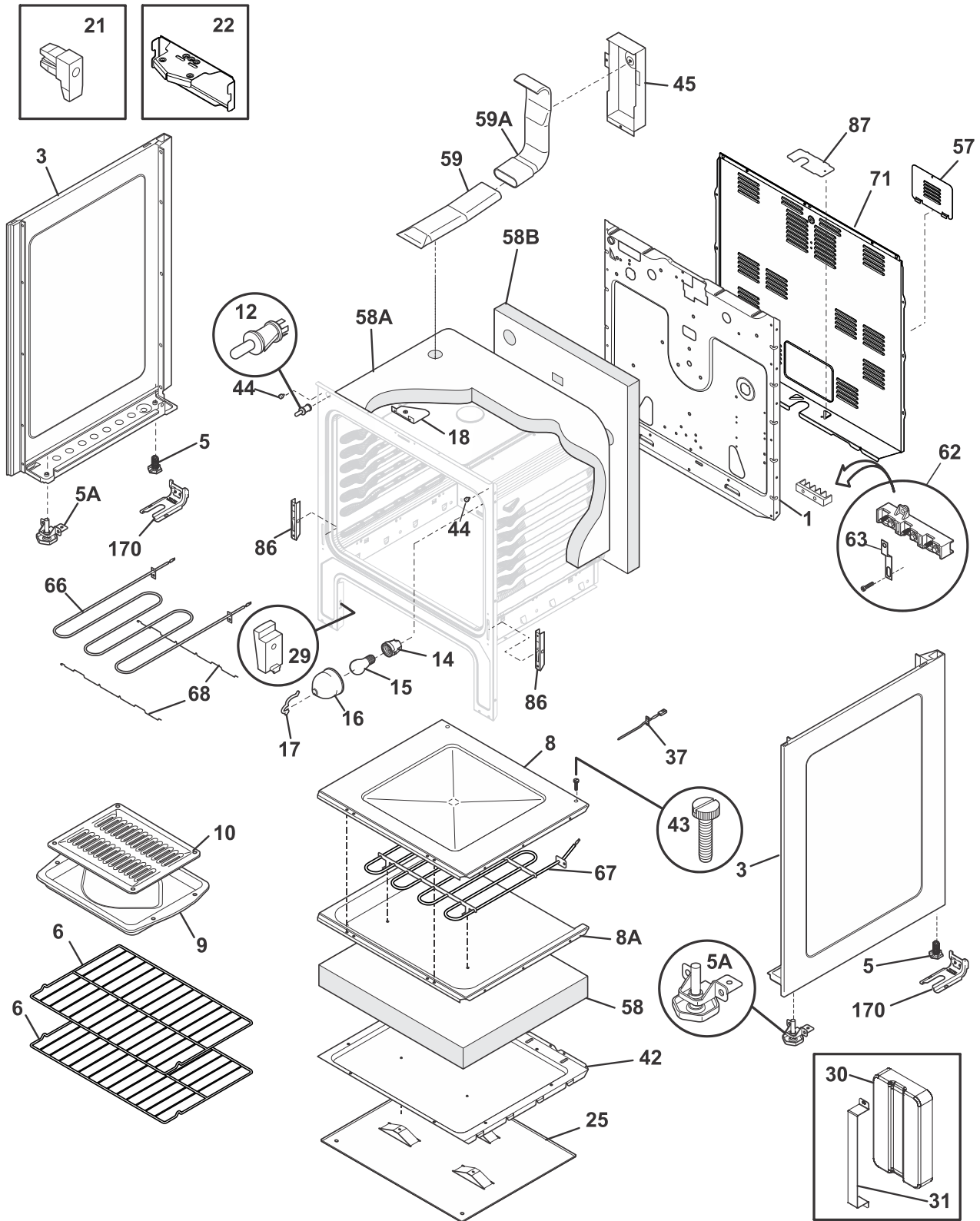


CLFEF3054TDA

BACKGUARD

POS. NO	PART NO.	DESCRIPTION
1	316281801	Shield, backguard, rear wall
13A#	5304508926	Switch, infinite, warmer
14	316022500	Light/Lamp, indicator, black, 125 V
15	5304493644	Cap, end, black, RH
15A	5304493646	Cap, end, black, LH
19	5304509071	Panel, backguard, stainless
20 #	5304508924	Controller, electronic, ES331
20A	316419146	Overlay, clock, black, ES331
24 #	5304515139	Switch, rocker, black, oven light
31	5304508956	Knob, control, black
46	316557300	Lens-light/lamp, indicator, clear
54 #	316436000	Switch, infinite, small element
54A#	316436001	Switch, infinite, large element
54B#	316238202	Switch, infinite radian, dual
56	316234045	Shield, backguard, black, inner
69	5303288565	Screw, truss sqdr, 8-32 x 3/16, switch mtg
*	316021105	Screw, hex head cup pt, 8-18 x 0.375, black
*	316021109	Screw, 8-18 x 0.5, chrome
*	316089500	Screw, 10-16 x .486

BODY



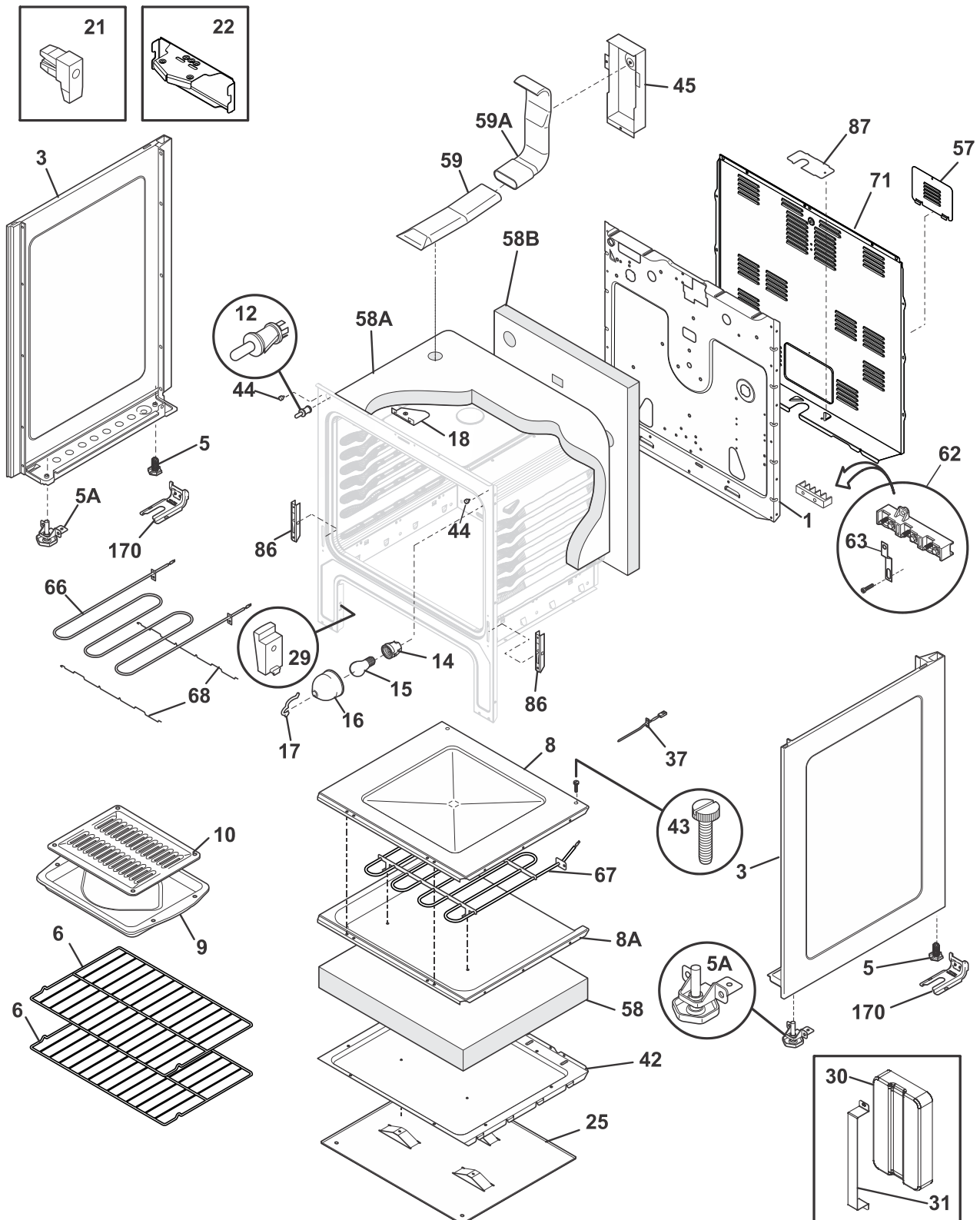
*NOTE: Oven Liner N/A
Ass. du four N/A*

VLFEF3054TFD

BODY

POS. NO	PART NO.	DESCRIPTION
1	316401804	Panel, main back
*	316418901	Screw, trilobe, 10-32 x 5/16", black
3	316400118	Panel, bodyside, black, RH
3	316400119	Panel, bodyside, black, LH
5	316272900	Screw, leveling, plastic, rear, (2)
5A	5304509869	Leveling Leg Assy, metal, front, (2), bracket & leg
6	316496201	Rack, oven
8	316400601	Panel, oven bottom
8*	316064600	Support, oven bottom
8A	316411106	Base, bake element
9	316081900	Pan, broiler
10	316082000	Insert, broiler pan
12	316445501	Switch, oven light, door frame
14 #	316116400	Receptacle, oven light
15 #	316538901	Lamp, oven light
16	318406100	Lens, oven light, glass
17	316087500	Retainer, lens
18 #	316405802	Bracket, hole opening, no latch
21	316408000	Clip, bodyside
22	316286300	Bracket-bodyside, (2)
*	316279600	Screw, bracket, stiffener, (4)
25	316406200	Shield, heat, lower
29	807047102	Glide, drawer, front
30	5304511083	Counterweight, concrete block
31	5304511084	Bracket, concrete block
37 #	316490000	Probe, oven temp
42	316407700	Shield, wool, lower
43	3131732	Screw, 8-18 x 1.438, oven bottom
44	316517600	Bumper, front, main
*	5303285179	Screw, wafer head, 8-32T x 0.500, black, 44*
45	316234100	Shield, wire, vent tube
57	316283600	Cover, access
58	316403802	Insulation, oven sump
58A	316406604	Insulation, oven wrapper
58B	316406505	Insulation, oven back
59	316208401	Vent Tube, assembly, w/catalyst
*	316089500	Screw, 10-16 x .486
59*	316247300	Catalyst, oven vent, ceramic
59A	316208304	Tube, oven vent, upper
62 #	5303935271	Terminal Block Kit
62*	316001003	Screw, ground wire
62*	316205500	Nut, hex flange, 3/8 10-32
62*	316542200	Insulator
63	316542600	Plate, grounding strap
66 #	316203301	Element, broil
67 #	316413800	Element, bake, hidden
68	316404000	Support, element, broil
71	316283204	Shield, rear wall
86	316441300	Receptacle, hinge
*	316418900	Screw, sims lp, #8-32 x 5/16", black
87	316081200	Bracket, cable mtg

BODY



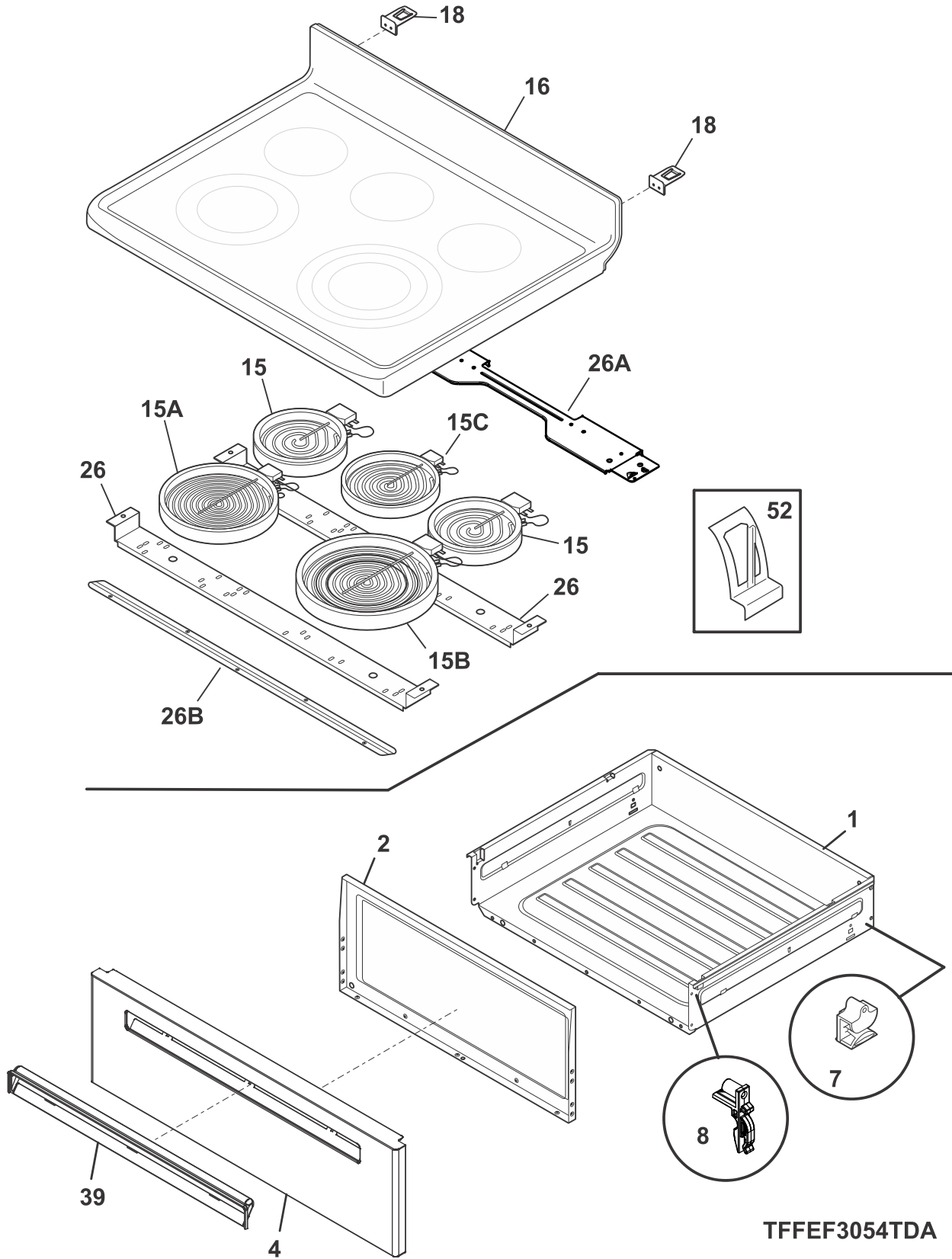
**NOTE: Oven Liner N/A
Ass. du four N/A**

VLFEF3054TFD

BODY

POS. NO	PART NO.	DESCRIPTION
170	316112005	Anti Tip Kit, assy, w/template
170*	316107200	Bracket, anti-tip
170*	316116000	Screw, concrete, 1.75", anti-tip brkt
170*	316541700	Template, anti-tip
* #	5304517510	Harness, wiring, main
*	316021105	Screw, hex head cup pt, 8-18 x 0.375, black
*	316021109	Screw, 8-18 x 0.5, chrome
*	5303289910	Screw, truss sqdr, 8A x 1", 62*

TOP/DRAWER

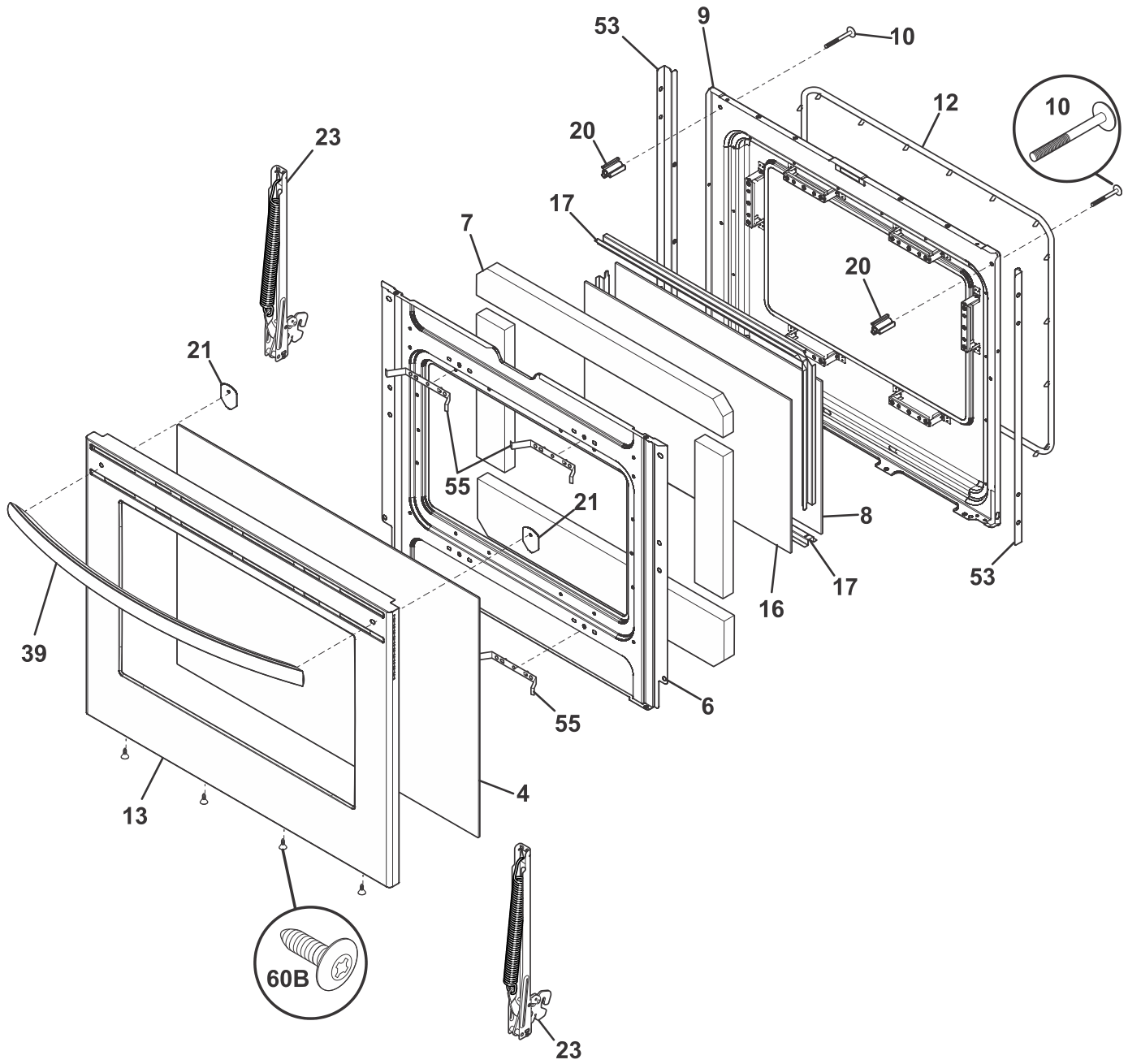


TFFEF3054TDA

TOP/DRAWER

POS. NO	PART NO.	DESCRIPTION
1	316408707	Drawer, utility
2	316403300	Liner, drawer
4	5304513993	Panel, drawer
7	316407402	Glide, drawer, rear
8	5304490938	Glide, drawer, front
15 #	318178110	Element, surface, 6", 1200, (2), radiant
15A#	316282000	Element, dual, 9"6", surface, 3000W, quick boil
15B#	5304510566	Element, radiant, 12", top, 2700W
15C#	5304509306	Element, surface, warmer
16	5304513244	Smoothtop, assembly, glass/steel, black/white
18	316580800	Bracket-hinge, main top
26	5304512926	Channel, element support
26A	316498200	Bracket-support, chassis, aluminum
26B	316607600	Bracket, chassis support, front
39	5304511565	Handle, drawer, grey, insert
52	316461700	Clip, element mtg
52*	5308014215	Screw, 6-20 x 0.312
* #	5304516193	Harness, wiring, surface
*	316021105	Screw, hex head cup pt, 8-18 x 0.375, black
*	316021109	Screw, 8-18 x 0.5, chrome
*	316089500	Screw, 10-16 x .486
*	316418901	Screw, trilobe, 10-32 x 5/16", black

DOOR



DLFEF3054TDA

DOOR

POS. NO	PART NO.	DESCRIPTION
4	316452758	Glass, oven door, black, w/foil
6	316406312	Shield-wool
7	316405600	Insulation, oven door
8	5304503232	Glass, oven door, inner
9	316423707	Liner, oven door
10	316439500	Screw, handle mtg., 10-24 x 1.75", (2)
12	316405000	Seal, oven door
13	316603903	Panel, oven door, stainless, outer
16	316117503	Glass, oven door, inner
17	5304504811	Spacer, glass
20	316284100	Spacer, door handle, (2)
21	316533801	Plate, distribution, load
23	316575909	Hinge, oven door, black
23*	316418900	Screw, sims lp, #8-32 x 5/16", black
39	5304507752	Handle, door, stainless
53	316408201	Shield, door filler, black, (2)
55	316408300	Bracket, glass support, (4)
60B	316021109	Screw, 8-18 x 0.5, chrome
*	316483102	Label, anti-tip
*	316021105	Screw, hex head cup pt, 8-18 x 0.375, black
*	5303285179	Screw, wafer head, 8-32T x 0.500, black, 44*