

## LFEH3051VF

Comparable to model FFEH3051VS; Exclusive features noted by **ONLY AT LOWE'S**

## FRONT CONTROL RANGE

30" ELECTRIC



AVAILABLE COLORS



### PRODUCT DIMENSIONS

Height (Max.)	36-5/8"
Width	29-7/8"
Depth (Incl. Handle)	29-3/16"

### MORE EASY-TO-USE FEATURES

#### Frigidaire Fit Promise

We promise that your new 30" Frigidaire® front control range will fit your existing range cutout, or we will reimburse up to \$100 for professionally modifying the countertop.

#### Even Baking Technology

Our even baking technology ensures even baking every time.

#### SpaceWise® Expandable Element

Our convenient 2-in-1 element expands from 6" for smaller pots to 9" for larger cookware, providing more cooktop flexibility.

#### Store-More™ Storage Drawer

With the Store-More™ Storage Drawer, you will have extra space to store your cookware.

#### Rear Filler Kit Included

Our Rear Filler Kit will help fill any gap between the back of the range and your backsplash

### SIGNATURE FEATURES

#### Get the look of a built-in, without the remodel.

This Front Control Range easily fits the space of your existing 30" range.

#### Quick Boil Element

Get meals on the table faster with our powerful 3,000W element.

#### Convenient 30-Minute Steam Clean

A 30-minute light oven cleaning that's chemical-free, odor-free, and fast.

#### EasyCare™ Stainless Steel

Resists fingerprints and cleans easily.

### CERTIFICATIONS

ADA Compliant



When properly installed, this model is A.D.A.-qualified based on the United States Access Board's A.D.A./A.B.A. Accessibility Guidelines and the Department of Justice's 2010 A.D.A. Standards for Accessible Design.

ELEMENTS	WATTS
Right Front - 6"/9" Expandable	1,400/3,000
Right Rear - 6"	1,200
Left Front - 9"	3,000
Left Rear - 6"	1,200

# LFEH3051VF FRONT CONTROL RANGE

30" ELECTRIC

FRIGIDAIRE

## FEATURES

Oven Control / Timing System	Ready-Select® Controls
Surface Type	Black Ceramic Glass
Window	Extra-Large
Exterior Door Finish	Stainless
Handle Design	Stainless
Exterior Finish (Side Panels)	Black
Oven Cleaning System	Self Clean
Drawer Functionality	Storage

## OVEN CONTROLS

Bake	Yes
Broil	Yes
Delay Start	Yes
Delay Bake	Yes
Self Clean	Steam Clean
Delay Clean	Yes
Kitchen Timer	Yes
Timed Cook Option	Yes
Auto Oven Shut-Off	12 Hours
Oven Lock-Out	Yes

## COOKTOP FEATURES

Right Front Element (Watts)	SpaceWise® Expandable 6"/9" - 1400/3000
Right Rear Element (Watts)	6" - 1200
Left Front Element (Watts)	9" - 3000
Left Rear Element (Watts)	6" - 1200
Hot Surface Indicator Light	Yes
Element "On" Indicator Light	Yes

## OVEN FEATURES

Capacity (Cu. Ft.)	5.0
Oven Light	1 Incandescent 40W
Rack Configuration	2 Standard
Baking System	Even Baking Technology
Broiling System	Vari-Broil™ (Hi / Lo)
Bake Element / Broil Element (Watts)	3,500 / 3,900

## CERTIFICATIONS

A.D.A. Compliant <sup>1</sup>	Yes
-------------------------------	-----

## OPTIONAL ACCESSORIES

Rear Filler Trim Black	Included
------------------------	----------

## SPECIFICATIONS

Oven Interior ( H x W x D )	18-5/8" x 24-3/8" x 19-1/8"
Power Cord Connection Location	Rear Centerline Lower
Voltage Rating	240V / 208V / 60 Hz
Amps @ 120 Volts	12.5/9.5
Minimum Circuit Required (Amps.)	40
Shipping Weight (Approx.)	169 Lbs.

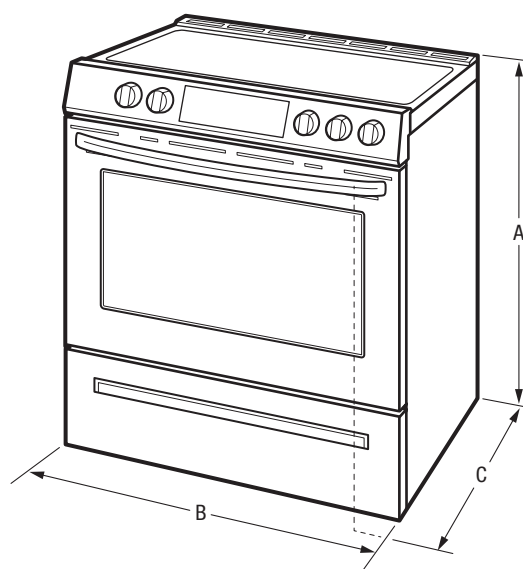
<sup>1</sup> When properly installed, this model is A.D.A.-qualified based on the United States Access Board's A.D.A./A.B.A. Accessibility Guidelines and the Department of Justice's 2010 A.D.A. Standards for Accessible Design.

## PRODUCT DIMENSIONS

A - Height (Max.)	36-5/8"
B - Width	29-7/8"
C - Depth (Incl. Handle)	29-3/16"
Depth with Door Open 90°	47"

## CUTOUT DIMENSIONS

Height (Standard.)	36"
Width (Min.)	30"
Depth (Max)	25"

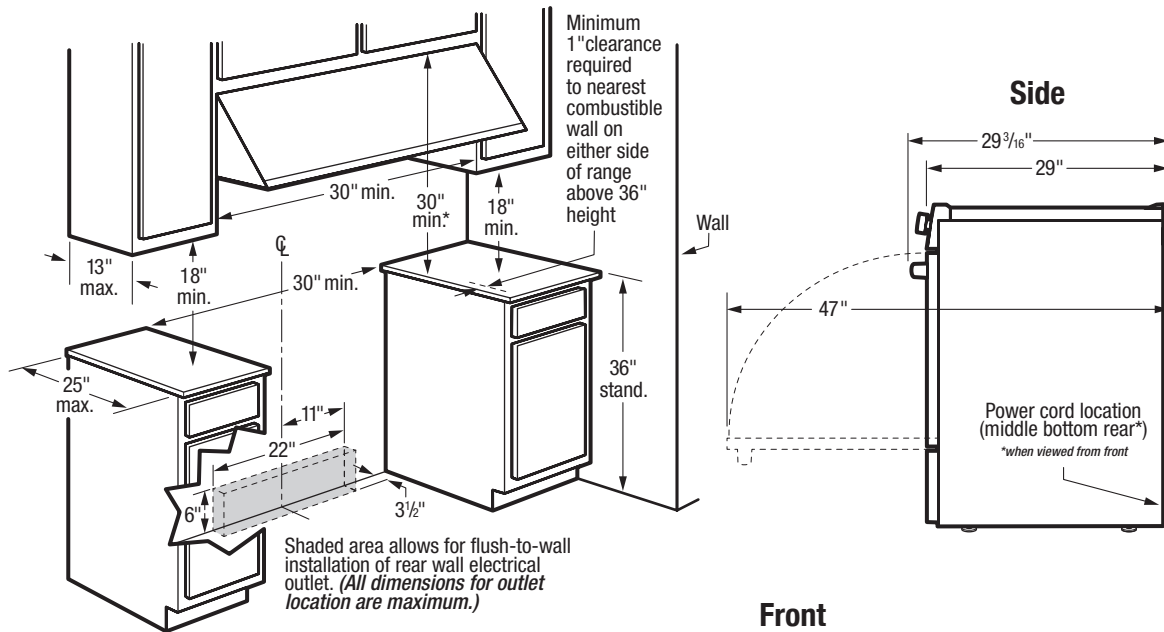


**Note:** For planning purposes only. Always consult local and national electric, gas and plumbing codes. Refer to Product Installation Guide for detailed installation instructions on the web at [frigidaire.com](http://frigidaire.com) / [frigidaire.ca](http://frigidaire.ca). Specifications subject to change. Accessories information available on the web at [frigidaire.com](http://frigidaire.com) / [frigidaire.ca](http://frigidaire.ca)

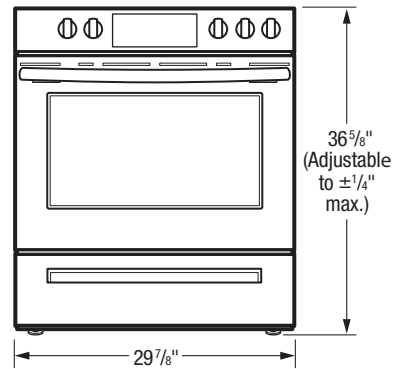
FRIGIDAIRE

USA • 10200 David Taylor Drive • Charlotte, NC 28262 • 1-800-FRIGIDAIRE • [frigidaire.com](http://frigidaire.com)  
CANADA • 5855 Terry Fox Way • Mississauga, ON L5V 3E4 • 1-800-265-8352 • [frigidaire.ca](http://frigidaire.ca)

LFEH3051VF 02/19  
©2019 Electrolux Home Products, Inc.



**Note:** 30" minimum clearance between top of cooking surface and bottom of unprotected wood or metal overhead cabinet; or 24" minimum clearance when bottom of wood or metal overhead cabinet is protected by not less than 1/4" flame-retardant millboard covered with not less than No. 28 MSG sheet steel, 0.015" stainless steel, 0.024" aluminum or 0.020" copper. 0" clearance is minimum for rear of range. Follow all dimension requirements provided above to prevent property damage, potential fire hazard, and incorrect countertop and cabinet cuts.



## INSTALLATION SPECIFICATIONS

- Product Shipping Weight (approx.) – 169 Lbs.
- Single phase 3- or 4-wire cable, 120 / 240 or 120 / 208 Volt, 60 Hertz, fused on both sides of line with ground.
- Connected Load (kW Rating) @ 240 / 208 Volts = 12.5 / 9.5 kW
- Recommended Circuit Breaker – 40 Amps
- Always consult local and national electric codes.
- Make sure wall coverings around range can withstand heat generated by range.
- Floor beneath range MUST be solid and level.
- Overhead cabinetry should not exceed a 13" maximum depth.
- Absolute minimum horizontal distance between overhead cabinets installed to either side of appliance must be no less than maximum width of appliance.
- Range can be installed flush to wall with 0" minimum rear clearance.
- Minimum 1" clearance required from edge of rangetop to nearest combustible wall on either side of range above 36" height.
- Allow 30" minimum clearance between top of cooking surface and bottom of unprotected wood or metal overhead cabinet; or 24" minimum clearance when bottom of wood or metal overhead cabinet is protected by not less than 1/4" flame-retardant millboard covered with not less than no. 28 MSG sheet steel, 0.015" stainless steel, 0.024" aluminum or 0.020" copper.
- To reduce risk of fire when using overhead cabinetry, install range hood that projects horizontally a recommended minimum of 5" beyond bottom of cabinets.
- Follow all dimension requirements provided to prevent property damage, potential fire hazard, and incorrect countertop and cabinet cuts.



FRIGIDAIRE

USA • 10200 David Taylor Drive • Charlotte, NC 28262 • 1-800-FRIGIDAIRE • frigidaire.com  
CANADA • 5855 Terry Fox Way • Mississauga, ON L5V 3E4 • 1-800-265-8352 • frigidaire.ca

**Note:** For planning purposes only. Always consult local and national electric, gas and plumbing codes. Refer to Product Installation Guide for detailed installation instructions on the web at [frigidaire.com / frigidaire.ca](http://frigidaire.com/frigidaire.ca). Specifications subject to change. Accessories information available on the web at [frigidaire.com / frigidaire.ca](http://frigidaire.com / frigidaire.ca)

LFEH3051VF 02/19  
©2019 Electrolux Home Products, Inc.